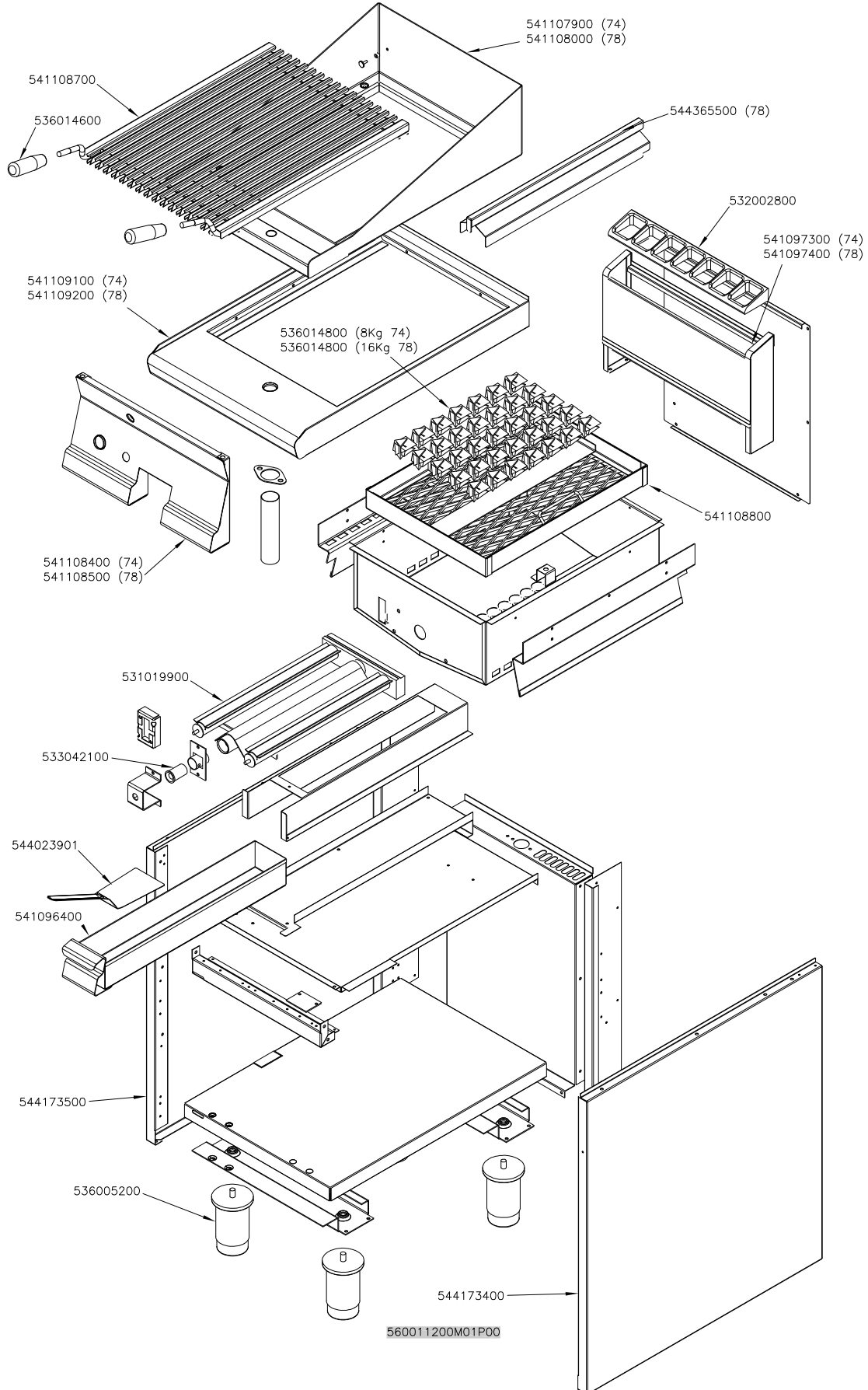


SUPERLOTUS 70≤0601

GAS / GAS / GAS / GAZ

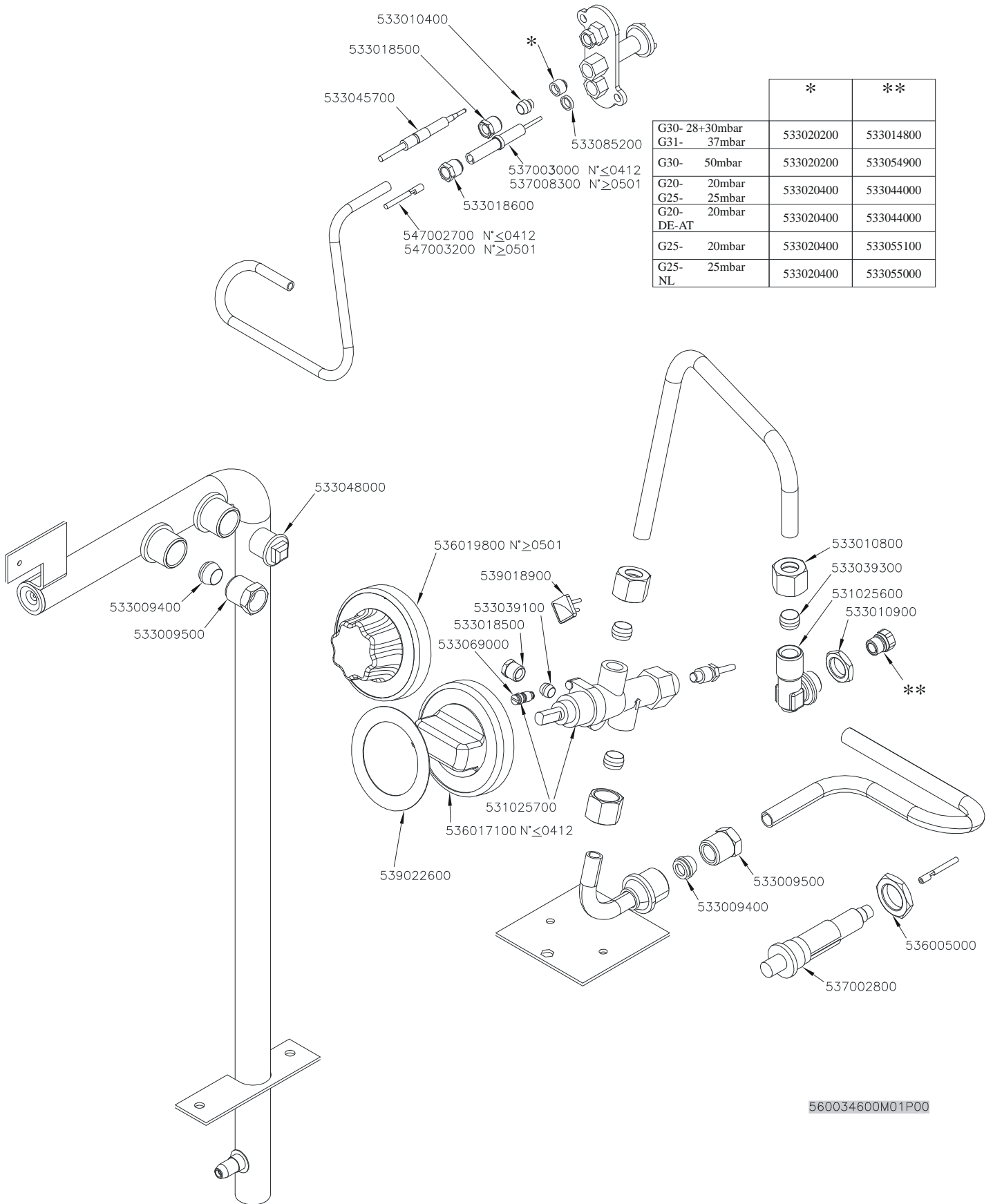
CW-74G CW-78G



SUPERLOTUS 70≤0601

GAS / GAS / GAS / GAZ

CW-74G CW-78G



| | * | ** |
|-------------------------------|-----------|-----------|
| G30- 28+30mbar G31- 37mbar | 533020200 | 533014800 |
| G30- 50mbar | 533020200 | 533054900 |
| G20- 20mbar G25- 25mbar | 533020400 | 533044000 |
| G20- 20mbar DE-AT | 533020400 | 533044000 |
| G25- 20mbar | 533020400 | 533055100 |
| G25- 25mbar NL | 533020400 | 533055000 |

560034600M01P00

| Page | Pos | Code | Description |
|------|-----|-----------|------------------------------------|
| 001 | | 541108000 | SPLASH GUARD CW-78 |
| 001 | | 541108700 | GRID CW-G S.70 |
| 001 | | 536014600 | GRIP D.28*90*M10 CW |
| 001 | | 544365500 | CENTRAL TOP FOR SPLASH GUARD CW78 |
| 001 | | 532002800 | GRID FOR PIPE L=370 S.70 |
| 001 | | 541097400 | SPACER 78G - 2 DRAINS |
| 001 | | 541109200 | UPPER PLATE CW-78G/E |
| 001 | | 536014800 | LAVASTONE |
| 001 | | 541108800 | STONE SUPPORTING FRAME CW-74G |
| 001 | | 541108500 | CONTROL PANEL CW-78/98G |
| 001 | | 531019900 | BURNER CW-G 60-65-70 LINES |
| 001 | | 533042100 | AIR ADJUSTMENT BUSHING CW-G |
| 001 | | 544023901 | SPATTLE FOR FRY-TOP |
| 001 | | 541096400 | DRIP TRAY FT S.70 |
| 001 | | 544173500 | LEFT SIDE PANEL S.70 |
| 001 | | 536005200 | INOX LEG 2" 120-180 M10 |
| 001 | | 544173400 | RIGHT SIDE PANEL S.70 |
| 002 | | 533010400 | BICONE D.6 |
| 002 | | 533018500 | FITTING FOR BICONE D.6 M10*1 |
| 002 | | 533045700 | THERMOCOUPLE M9*1 500 |
| 002 | | 533085200 | |
| 002 | | 537003000 | PLUG M4 - LONG ELECTRODE |
| 002 | | 537008300 | ROUND PLUG §2,4- LONG ELECTRODE |
| 002 | | 533018600 | PLUG FITTING |
| 002 | | 547002700 | HIGH-VOLTAGE CABLE L=500 |
| 002 | | 547003200 | HIGH-VOLTAGE CABLE TUBE.§2 L=500 |
| 002 | | 533048000 | THREADED CAP 3/8"G |
| 002 | | 533009400 | BICONE 10S |
| 002 | | 533009500 | NIPPLE FOR BICONE 10S |
| 002 | | 536019800 | BLACK KNOB §70 PIN §8*6,5 |
| 002 | | 539018900 | INDEX FOR KNOB |
| 002 | | 533039100 | BICONE §6 |
| 002 | | 533069000 | BY PASS COCK §70 20S-21S |
| 002 | | 531025700 | SAFETY TAP 21S-B PEL21S22070 |
| 002 | | 536017100 | BLACK KNOB §70 PIN §8*6,5 |
| 002 | | 539022600 | GRADUATED STICKER FOR KNOB |
| 002 | | 533010800 | TUBE NUT D.10 M16*1,5 |
| 002 | | 533039300 | BICONE §10 |
| 002 | | 531025600 | ELBOW 90° NOZZLE-HOLDER §10 PIPE |
| 002 | | 533010900 | NUT M14*1 H.4 |
| 002 | | 536005000 | NUT M18 FOR PIEZOELECTRIC IGNITION |
| 002 | | 537002800 | PIEZOELECTRIC IGNITION M18 |
| 002 | | 533020200 | PILOT JETS 0160 FOR LPG §30 |
| 002 | | 533014800 | NOZZLE §135 CH12*14,0 |
| 002 | | 533054900 | NOZZLE §120 CH12*14 |
| 002 | | 533020400 | NOZZLE 0160 (NATURAL GAS) 51 |
| 002 | | 533044000 | NOZZLE §195 CH12*14 M-CW4 |
| 002 | | 533055100 | NOZZLE §215 CH12*14 L-CW4 |
| 002 | | 533055000 | NOZZLE §205 CH12*14 G25 CW4 |