

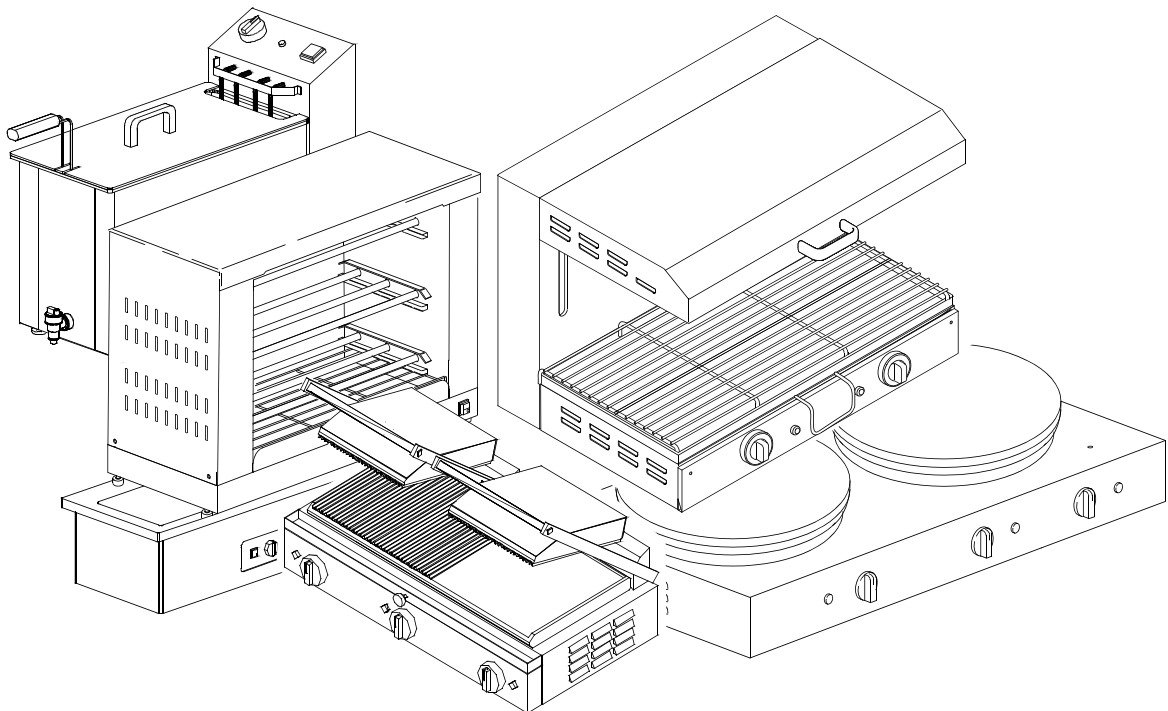
COOKING APPLIANCES

COOKING LINES

TYPE: CT

Accessories
WITHOUT ACCESSORY

Spare parts manual



S/N:

Valid from:..04/2004

Rev.: 4.0

1. Spare parts

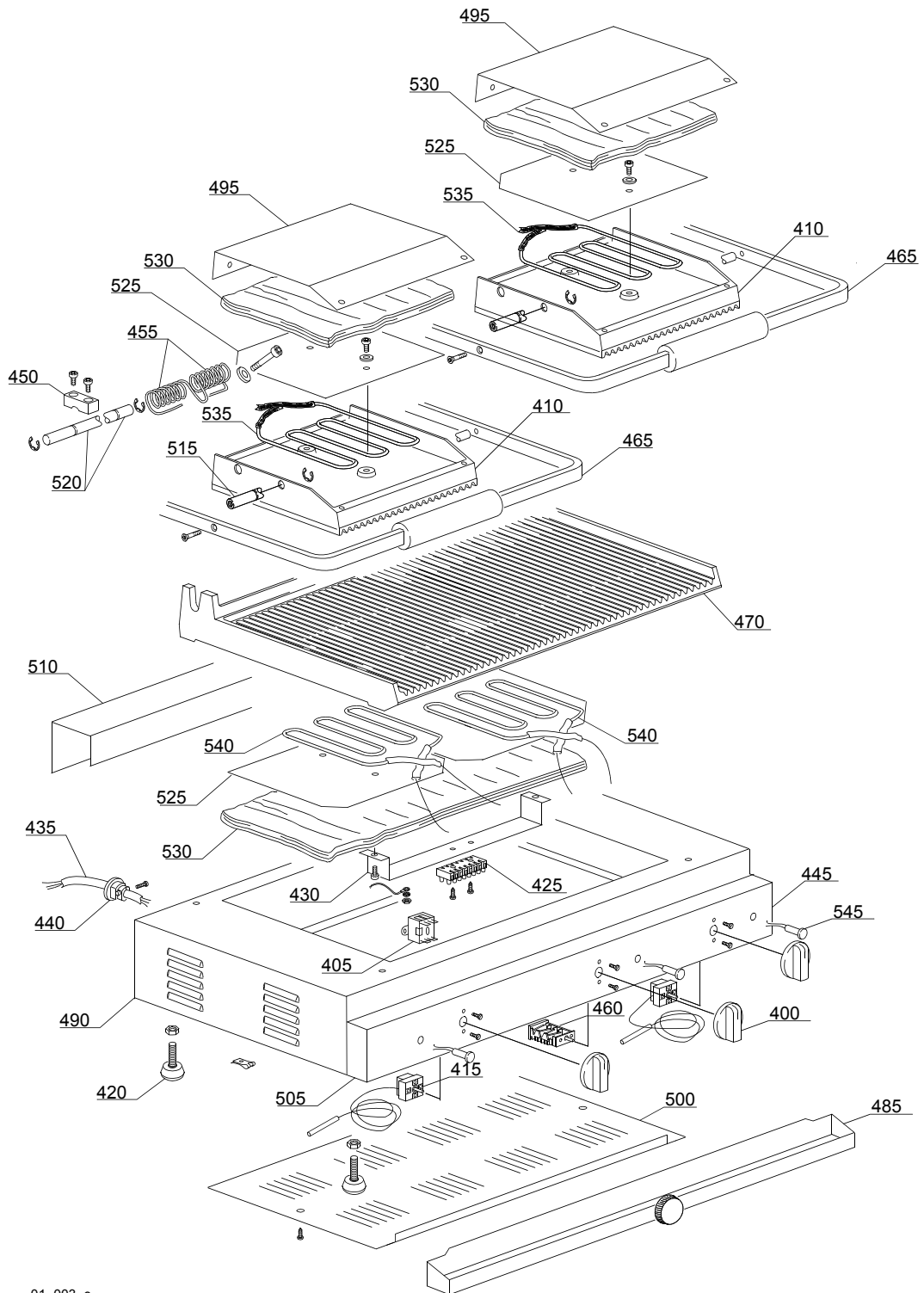
Toaster F6	7
Toaster F60	9
Toaster F60	11
Toaster F12	13
Toaster F120	15
Toaster F120	17
Crepe-X1	19
Crepe-X2	21
Single grill	23
Double grill.....	25
Salamander S1	27
Salamander S2.....	29
Bain Marie BM100-200-300	31
5M-6M/T-8T deep-fryer	33
5+5M-6+6M/T-8+8T deep-fryer	35

1.1 Voltage codes

Voltage code	Voltage
A	3/N/PE~400/230V 50Hz
B	~250V 16A 50Hz
C	3/N/PE~380/220V 50Hz
D	3/PE~200V 50-60Hz
F	2/PE 220-240V 50Hz
G	3/N/PE~415/240V 50Hz
H	3/PE~230V 50Hz
I	3/PE~220V 60Hz
J	3/PE~380 50Hz
K	3/PE~400V 50Hz
L	3/PE~415V 50Hz
M	3/PE~440V 60Hz
N	3/PE~460V 60Hz
O	3/PE~480V 60Hz
P	1/N/PE~220-240V 50Hz
R	2/PE~220-230V 60Hz
S	3/N/PE~400/230V 50Hz
T	3/PE~230V 60Hz

1.2 Product codes

Product code	Full name
Model codes	
Type codes	
50U	50U
50D	50D
50	50
52S	52S
52D	52D
52	52
53S	53S
53D	53D
53	53
54F	54F
54R	54R
54	54
55	55
59	59
CT	CT
BW	BW
Accessory codes	
wa	WITHOUT ACCESSORY



01_003_e

Spare parts

ID	P-code	Model	Type	Accessory	Voltage	Description
MODULE:Double grill						
400	8029		BW,CT,53,53D			Timer knob
405	6011		BW,CT,53,53D			Safety thermostat
410	9002		BW,CT,53,53D			Top plate
415	9010		BW,CT,53,53D			Plate thermostat
420	9024		BW,CT,53,53D			Plate small foot
425	9031		BW,CT,53,53D			8 poles terminal board
430	9032		BW,CT,53,53D			Stainless steel plate control panel
435	9034		BW,CT,53,53D			Power supply cable
440	9035		BW,CT,53,53D			Plate cable-fastener
445	9511		BW,CT,53,53D			Double plate panel
450	9560		BW,CT,53,53D			Brass clutch
455	9563		BW,CT,53,53D			Cover tension spring
460	9564		BW,CT,53,53D			Plate switch
465	9566		BW,CT,53,53D			Double plate handle
470	9700		BW,CT,53,53D			Lined-smooth lower cast iron single plate
470	9701		BW,CT,53,53D			Lined lower cast iron double plate
470	9702		BW,CT,53,53D			Smooth lower cast iron double plate
485	9703		BW,CT,53,53D			Double plate gathering tray
490	9704		BW,CT,53,53D			Double plate external body
495	9705		BW,CT,53,53D			Top cast iron double plate cover
500	9706		BW,CT,53,53D			Bottom protection
505	9707		BW,CT,53,53D			Double plate frontal electric components holder
510	9708		BW,CT,53,53D			Double plate back protection
515	9711		BW,CT,53,53D			Double plate balance pin
520	9712		BW,CT,53,53D			Double plate lifting pin
525	9714		BW,CT,53,53D			Double plate protection
530	9715		BW,CT,53,53D			Double plate insulating panel
535	9716		BW,CT,53,53D			1000W top heating element
540	9717		BW,CT,53,53D			1200W lower heating element
545	10711/B		BW,CT,53,53D			Pilot light