

- 533010800
- 533039300
- 539018900
- 533039100
- 533018500
- 536034500
- 539054200
- 539062800
- 539062900(USA)

- 533047900
- 533139000(USA)

- 533010800
- 533039300
- 531025600
- 533010900
- **

- 531032100
- 531067300(USA)
- 533039300
- 533010800
- 533009500
- 533009400

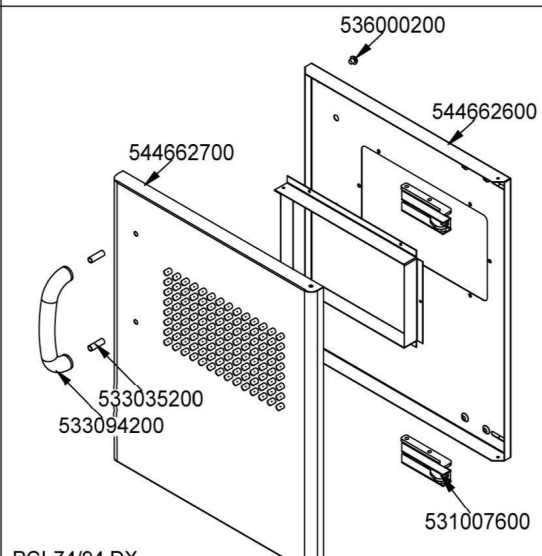
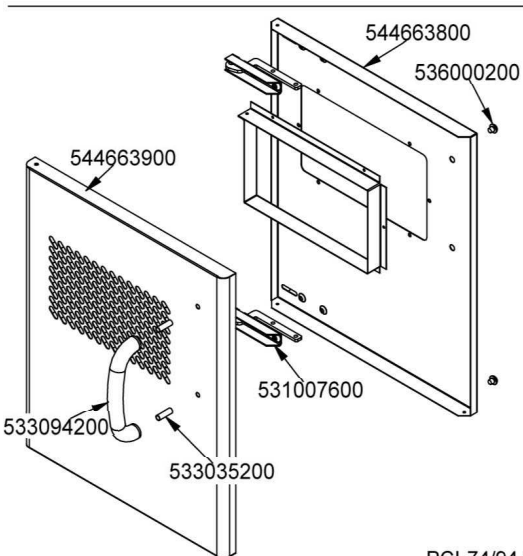
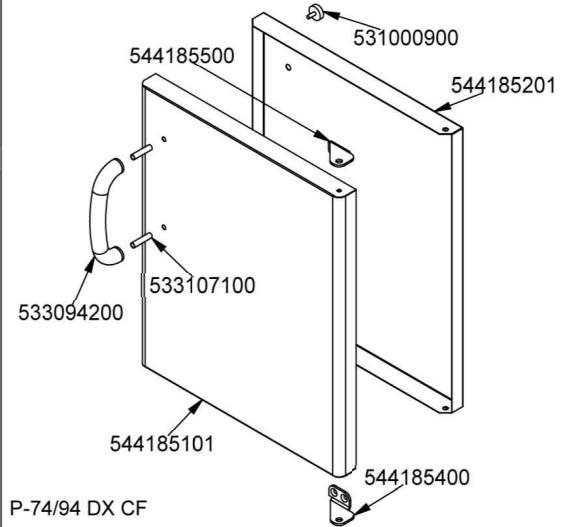
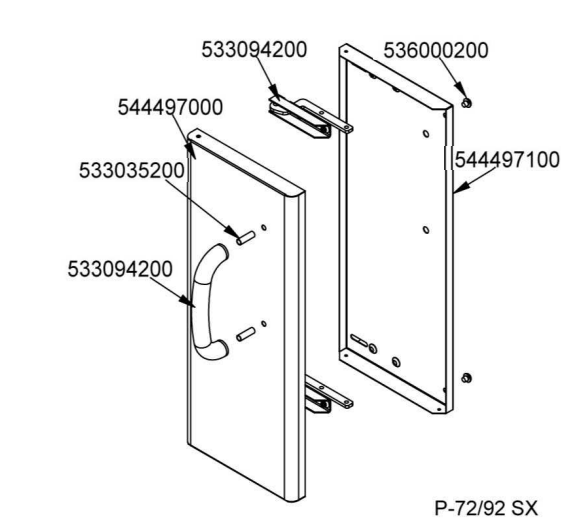
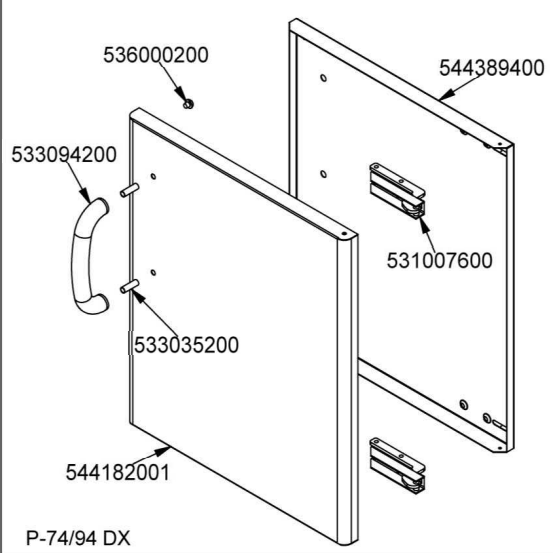
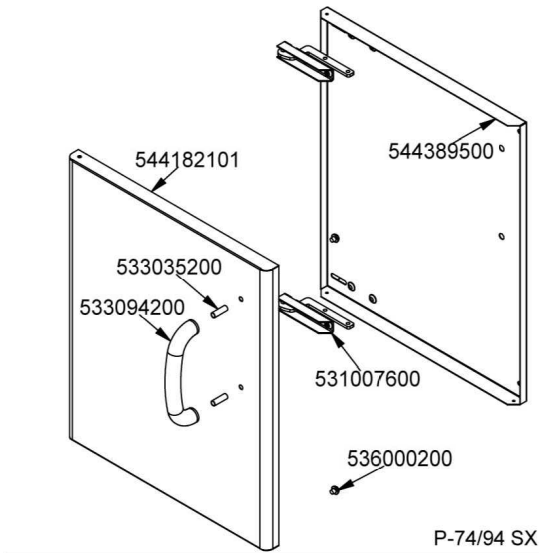
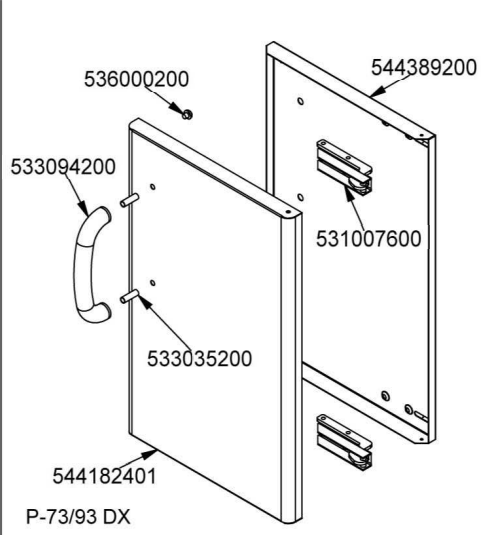
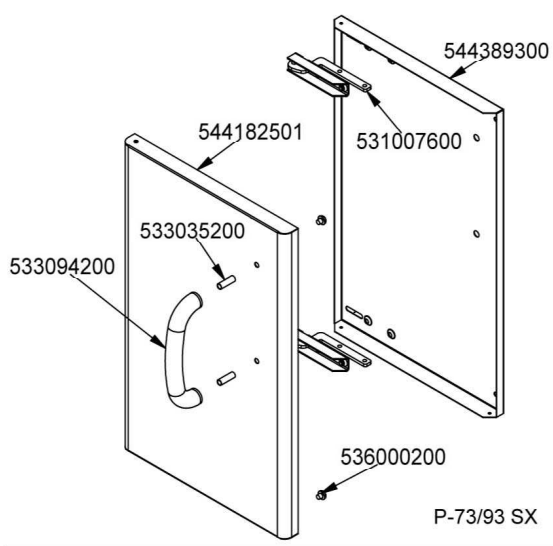
- 533053600
- 533009500
- 533009400

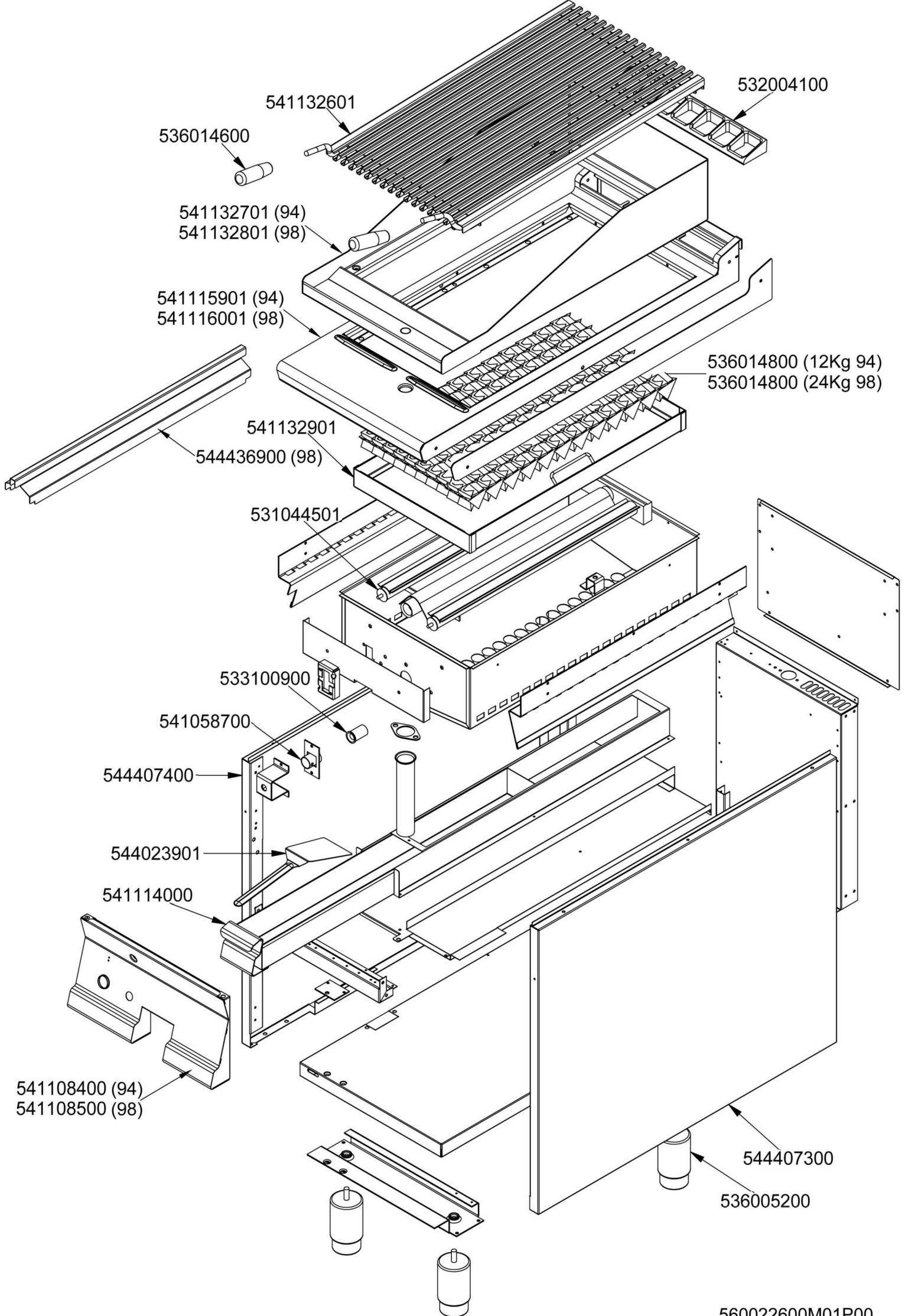
- 533130500(USA)
- 533130400(USA)

- 533011500
- 533045700
- 533131400(USA)
- 533010400
- 533130900(USA)
- 533018500
- 547003200
- 537008300
- 537010200(USA)
- 533018600
- *

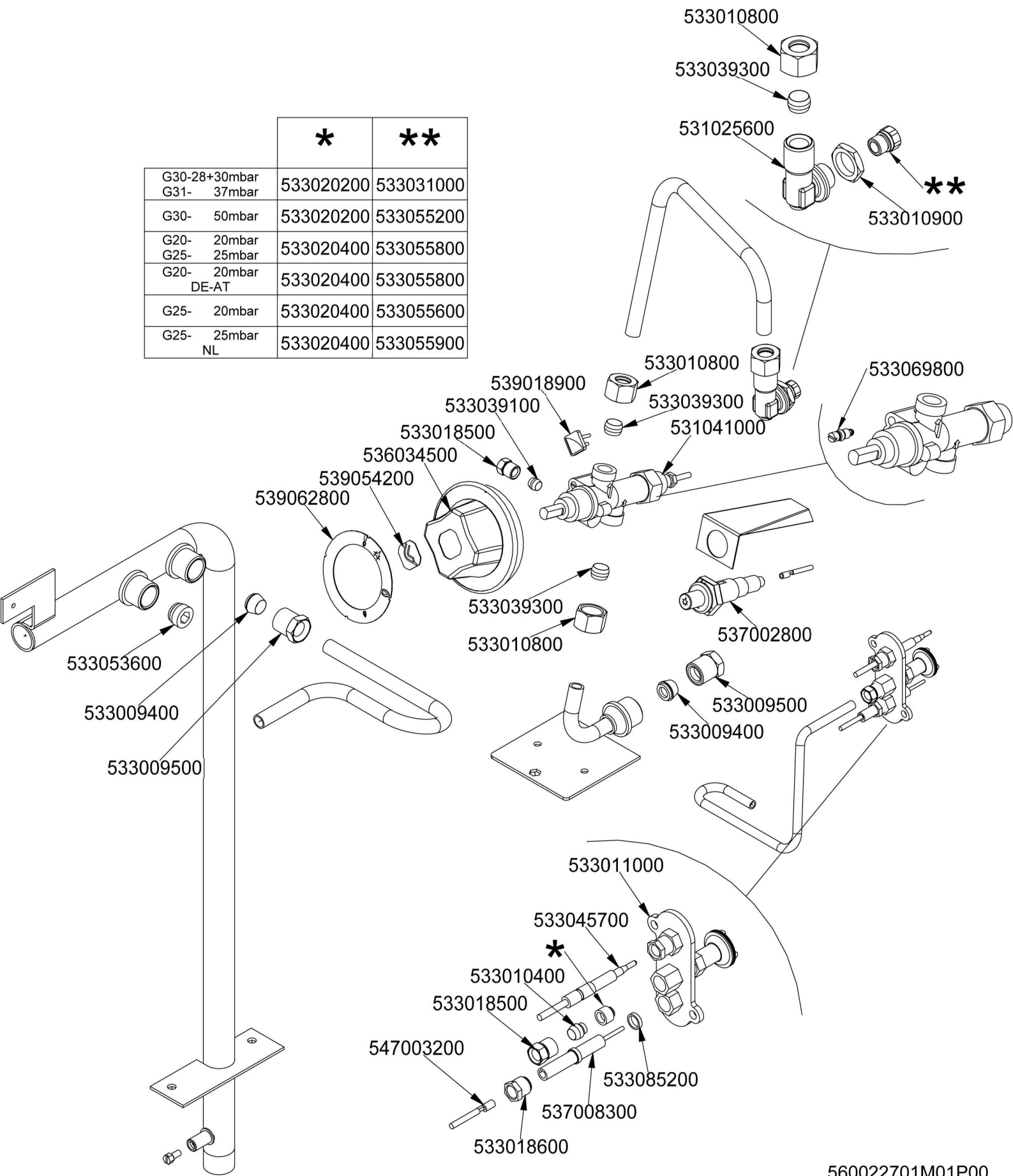
- 533050200(USA)
- 533075200(USA)
- 531063800(USA)

	*	**
G30-28+30mbar G31- 37mbar	533020200	533044000
G30- 50mbar	533020200	533030900
G20- 20mbar G25- 25mbar	533020400	533014300
G20- 20mbar DE-AT	533020400	533014300
G25- 20mbar	533020400	533056500
G25- 25mbar NL	533020400	533056000
GAS E-10IWC USA	533131000	533055000
GAS E-4IWC USA	533138900	533019500





	*	**
G30-28+30mbar G31- 37mbar	533020200	533031000
G30- 50mbar	533020200	533055200
G20- 20mbar G25- 25mbar	533020400	533055800
G20- 20mbar DE-AT	533020400	533055800
G25- 20mbar	533020400	533055600
G25- 25mbar NL	533020400	533055900



Page	Pos	Code	Description
001		544412900	BASKET HOLDER FOR DRAINAGE OF CP90
001		531037700	BASKET SUPPORT GRID CP 90
001		532004100	FLUE GRID L=370 90LINE (RAF
001		531042800	SEMISPHERE FILTER
001		541115700	UPPER PLATE CP-98G
001		546006100	RUBBER TUBE §25INT.*§33EXT.*L=540
001		531018600	BALL VALVE 1"G M-F CPM-62G
001		533040000	1"G F-F-F "T" FITTING
001		533039900	PIPE HOLDER 1" G M D.24
001		533038200	1" G M-F ELBOW FITTING
001		544407400	LEFT SIDE PANEL 70 LINE
001		541106602	CONTROL PANEL S607090 CP-78G CP-98G
001		531017800	BURNER CPM-62G POLID.103.1515.0
001		544407300	RIGHT SIDE PANEL 90 LINE
001		536005200	INOX LEG 2" 120-180 M10
002		533010800	TUBE NUT D.10 M16*1,5
002		533039300	BICONE §10
002		539018900	INDEX FOR KNOB W/RED SIGN
002		533039100	BICONE §6
002		533018500	FITTING FOR BICONE D.6 M10*1
002		536034500	KNOB §77 4P. §08*6,5
002		539054200	STAMP Ø20,5 CR."L" LOTUS R.
002		539062900	RED STICKING DISK 72 USA
002		533139000	BY PASS COCK §125 20S-21S
002		531067300	GAS COCK 21S P.V.BY-PASS Ø125
002		533009500	NIPPLE FOR BICONE 10S
002		533009400	BICONE 10S
002		531025600	ELBOW 90° NOZZLE-HOLDER §10 PIPE
002		533010900	NUT M14*1 H.4
002		537002800	PIEZOELECTRIC IGNITION M18 WITH NUT
002		533053600	EUROSIT VALVE PLUG
002		533130500	DRILLED PILOT 0190 USA
002		533130400	DEFLECTOR WITH 3 PILOT USA
002		533011500	PILOT BURNER 2 FLAMES 220
002		533131400	THERMOCOUPLE M9*1 750
002		533010400	BICONE D.6
002		533130900	FITTING THERMOCOUPLE M10X1 USA
002		547003200	HIGH-VOLTAGE CABLE TUBE.§2 L=500
002		533085200	SPACER FOR PILOT PLUG
002		537010200	ROUND PLUG §2,4 - SHORT ELECTRODE
002		533018600	PLUG FITTING
002		533050200	90° 1/2 M/F ELBOW FITTING
002		533075200	
002		531063800	USA PRESSURE REGULATOR
002		533020200	PILOT JETS 0160 FOR LPG §30
002		533020400	NOZZLE 0160 (NATURAL GAS) 51
002		533131000	NOZZLE 0190 (30
002		533138900	NOZZLE 0190 (62
002		533044000	NOZZLE §195 CH12*14 M-CW4
002		533030900	NOZZLE §165 CH12X14 H-CW
002		533014300	NOZZLE §285 CH12*14

Page	Pos	Code	Description
002		533056500	NOZZLE §325 CH12*14
002		533056000	NOZZLE §310 CH12*14
002		533055000	NOZZLE §205 CH12*14 G25 CW4
002		533019500	
003		544389300	CONTROP.73 SX APP. LT
003		531007600	DOOR HINGE
003		544182501	LEFT DOOR 73
003		533094200	S/S HANDLE FOR 70/90 SERIES
003		533035200	HANDLE SPACER
003		536000200	D.12 H.4 BUMPER
003		544389200	CONTROP.73 DX APP. LT
003		544182401	RIGHT DOOR 73
003		544182101	LEFT DOOR 74
003		544389500	INNER-DOOR OF LHD 74
003		544389400	CONTROP.74 DX APP. LT
003		544182001	RIGHT DOOR 74
003		544497000	PORTA 72 SX
003		544497100	CONTROP.72 SX APP. LT
003		544185101	RIGHT DOOR 74 CF
003		533107100	HANDLE SPACER OF CF-70
003		544185500	UPPER DOOR HINGE FOR COMPARTME CF70
003		531000900	MAGNET §22 KG.3 WITH DISK
003		544185201	INNER DOOR * 74DX
003		544185400	LOWER DOOR HINGE FOR COMPARTME CF70
003		544663900	LHD 74 DOOR FOR PCI
003		544663800	74 LHD OVEN INNER DOOR FOUR PCI
003		544662700	DOOR 74 DX PCI
003		544662600	CONTROP.74 DX APP. LT PCI
004		532004100	FLUE GRID L=370 90LINE (RAF
004		541132601	"V" GRID FOR CW-94
004		536014600	GRIP D.28*90*M10 CW
004		541132701	SPLASH SHIELD CW-94
004		541115901	UPPER PLATE CW-94
004		536014800	LAVASTONE
004		541132901	STONE SUPPORTING FRAME CW-94G
004		531044501	BURNER CW-G 90 LINE
004		533100900	AIR ADJUSTMENT BUSHING D22 EST.H38
004		541058700	BURNER COUPLING BUSHING CW-G
004		544407400	LEFT SIDE PANEL 70 LINE
004		544023901	SPATTLE FOR FRY-TOP
004		541114000	DRAINER DRAWER CW-G 90LINE
004		541108400	CONTROL PANEL CW-74G
004		544407300	RIGHT SIDE PANEL 90 LINE
004		536005200	INOX LEG 2" 120-180 M10
005		533010800	TUBE NUT D.10 M16*1,5
005		533039300	BICONE §10
005		531025600	ELBOW 90° NOZZLE-HOLDER §10 PIPE
005		533031000	NOZZLE §175 CH12X14
005		533055200	NOZZLE §153 CH12*14 M/L-FQ/P65
005		533055800	NOZZLE CH12X14,0 O250
005		533055600	NOZZLE §280 CH12*14

Page	Pos	Code	Description
005		533055900	NOZZLE CH12X14,0 O265
005		533010900	NUT M14*1 H.4
005		533069800	BY PASS COCK §110 20S-21S
005		531041000	SAFETY TAP 21S-B
005		539018900	INDEX FOR KNOB W/RED SIGN
005		533039100	BICONE §6
005		533018500	FITTING FOR BICONE D.6 M10*1
005		536034500	KNOB §77 4P. §08*6,5
005		539054200	STAMP O20,5 CR."L" LOTUS R.
005		539062800	RED STICKING DISK 72
005		533053600	EUROSIT VALVE PLUG
005		533009400	BICONE 10S
005		533009500	NIPPLE FOR BICONE 10S
005		547003200	HIGH-VOLTAGE CABLE TUBE.§2 L=500
005		533018600	PLUG FITTING
005		537008300	ROUND PLUG §2,4- LONG ELECTRODE
005		533010400	BICONE D.6
005		533085200	SPACER FOR PILOT PLUG
005		533020200	PILOT JETS 0160 FOR LPG §30
005		533020400	NOZZLE 0160 (NATURAL GAS) 51
005		533045700	THERMOCOUPLE M9*1 500
005		533011000	PILOT BURNER 3 FLAMES 320
005		537002800	PIEZOELECTRIC IGNITION M18 WITH NUT