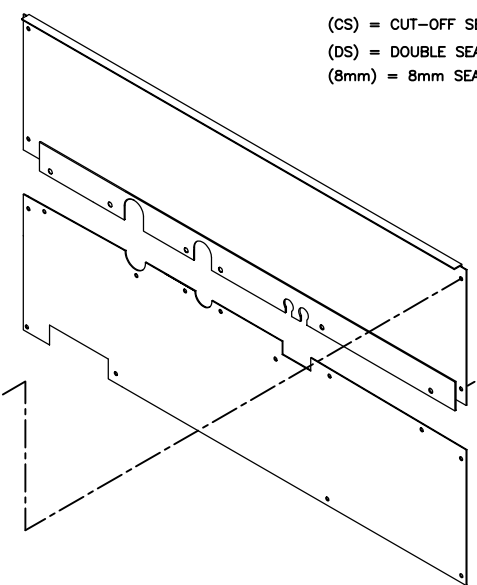
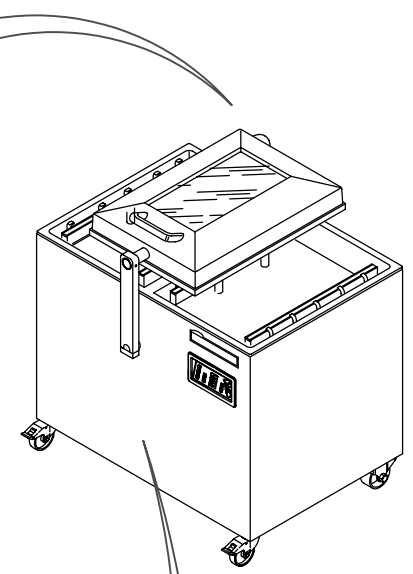
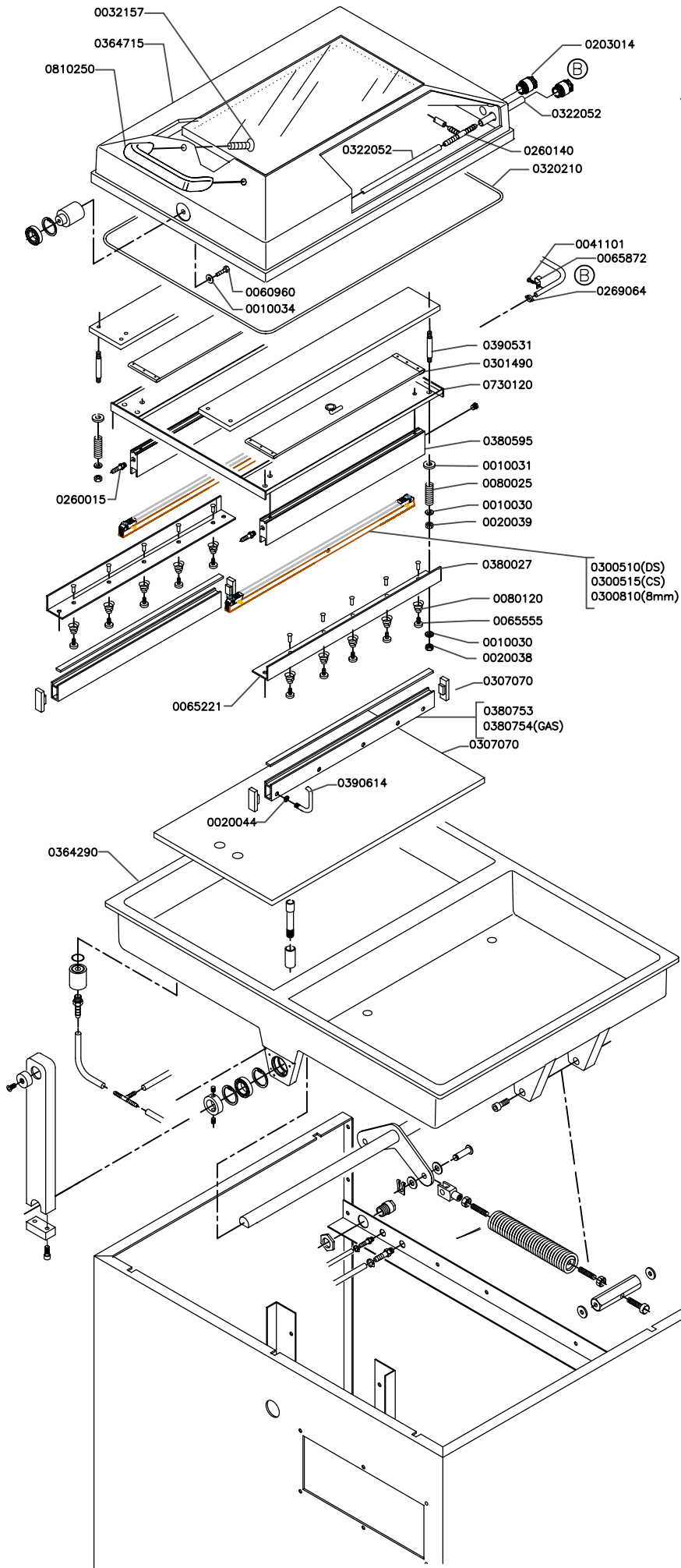
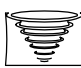


- 0433010(220-240-1-50)
- 0433500(220-230-1-60)
- 0433000(230-400-3-50)
- 0433125(230-400-3-50)
- 0433700
- (190-210/380-420-3-50/60)



(CS) = CUT-OFF SEAL
 (DS) = DOUBLE SEAL
 (8mm) = 8mm SEAL

Scale:	Name:	Exploded View FALCON 2-60 (LL)	
Date: Jan 2009			
Drawn by: RVD			
 HENKELMAN B.V. P.O. box 2117 5202 CC 's-Hertogenbosch Tel. ++31(0)73 - 6213671 Fax ++31(0)73 - 6221318 The Netherlands	A 4	Drawing: Page 3-3	Rev. 030
	<small>Ownership explicitly reserved. Multiplication or information to third parties in any form is not permitted without written permission of the owner.</small>		