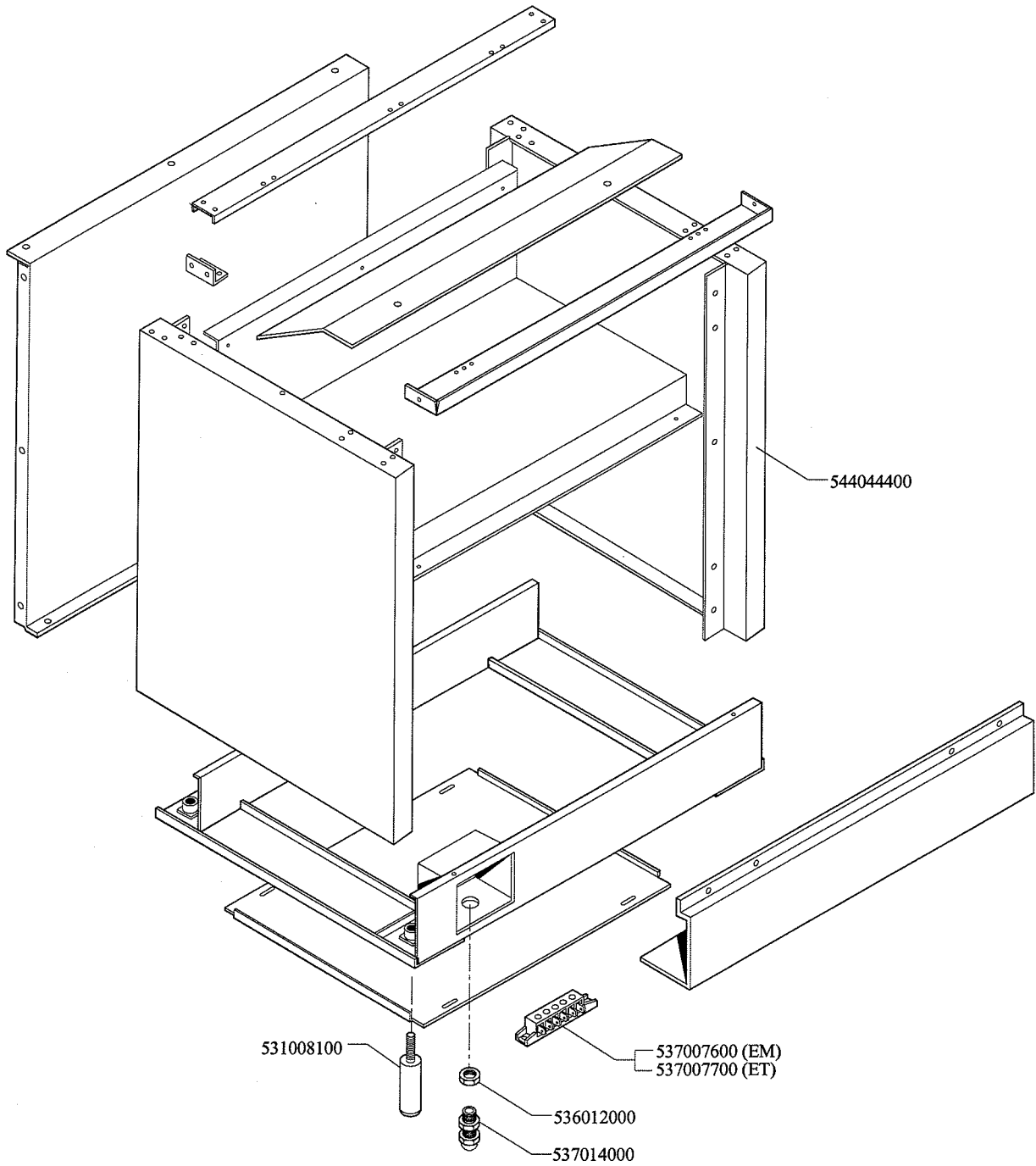


SNACK 60 CUCINE / SNACK 60 RANGES / SNACK 60 HERDE / SNACK 60
CUISINIÈRES

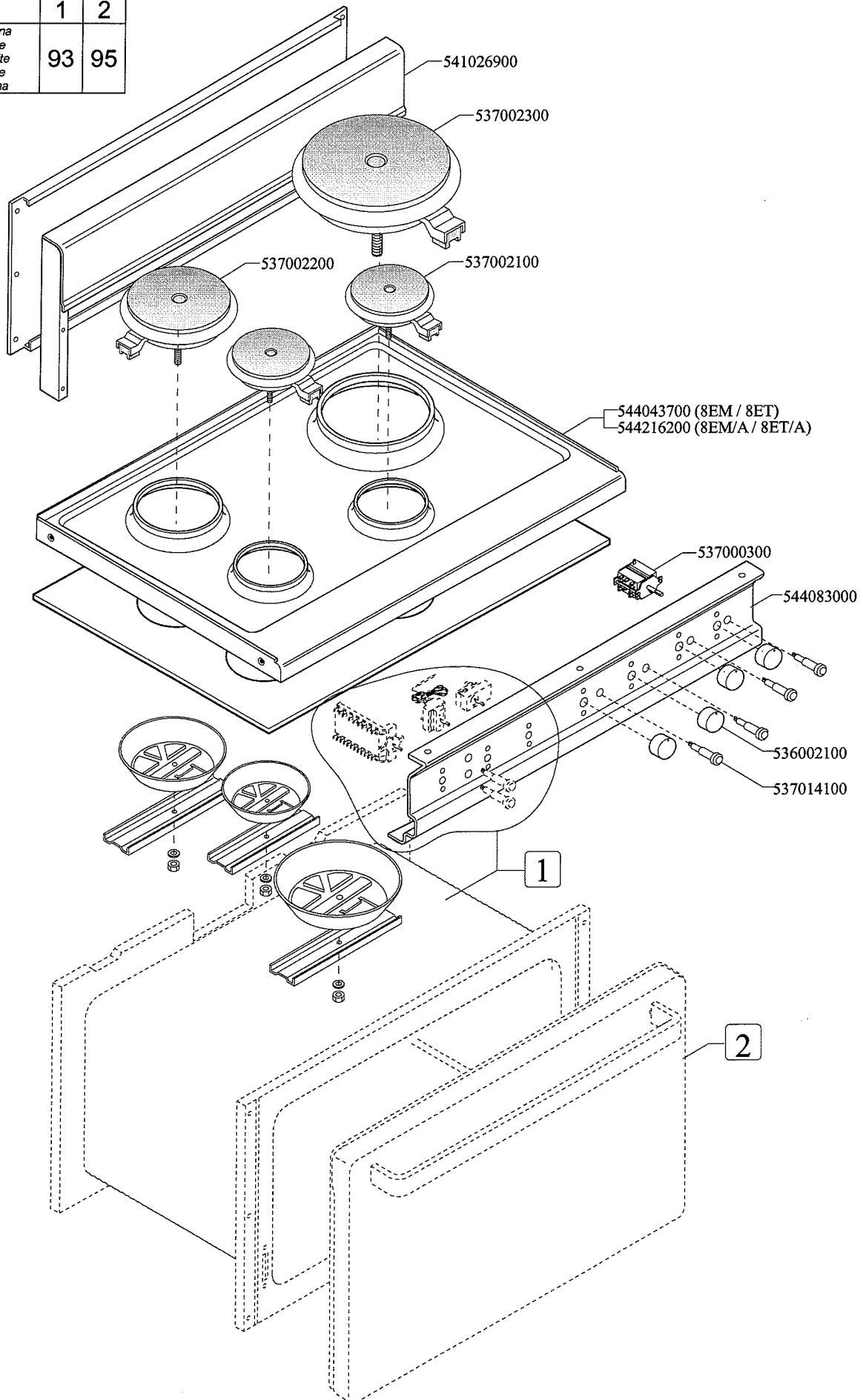
CFM-8EM CFM-8ET CFM-8EM/A CFM-8ET/A



SNACK 60 CUCINE / SNACK 60 RANGES / SNACK 60 HERDE / SNACK 60 CUISINIÈRES

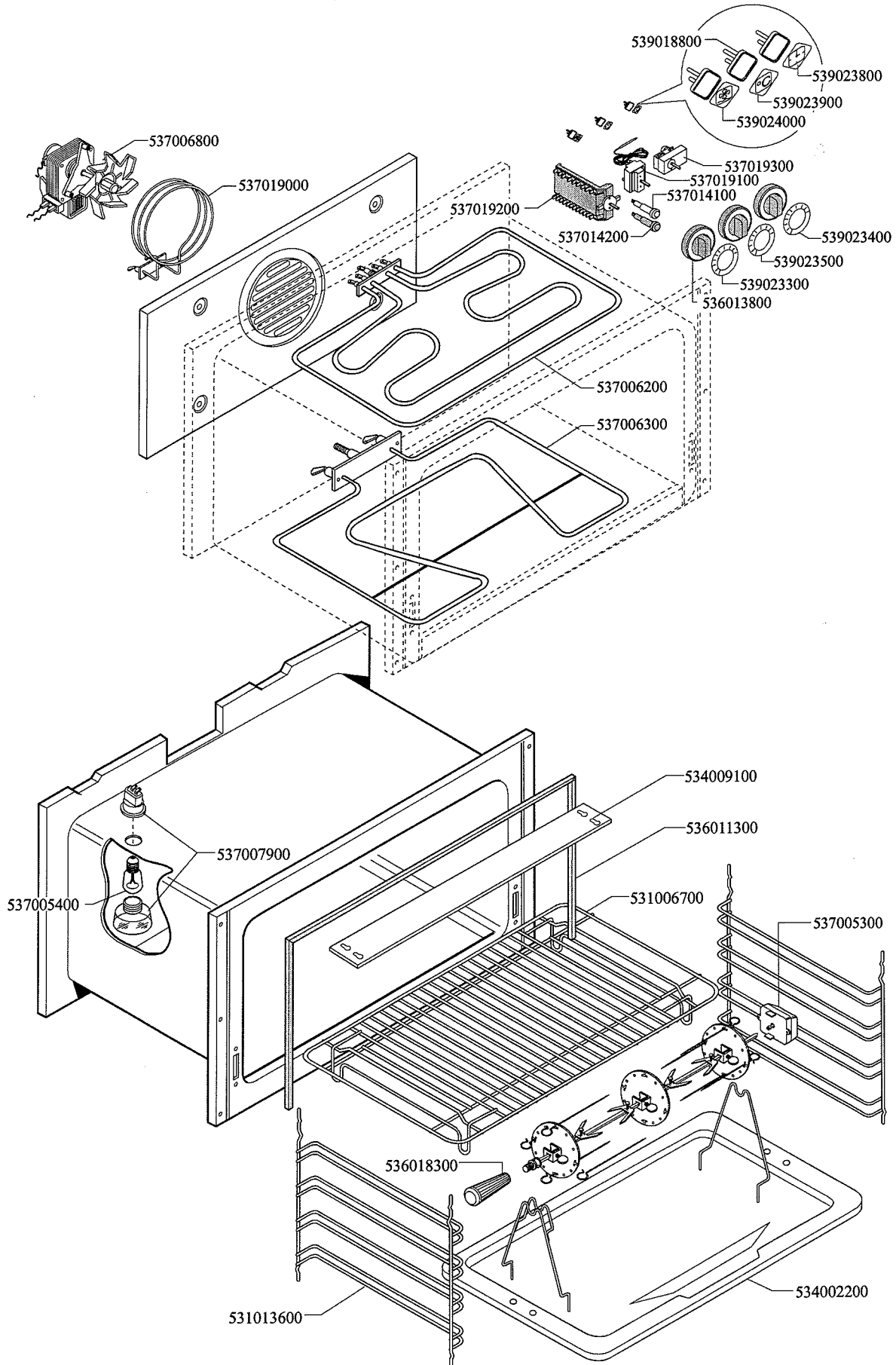
CFM-8EM CFM-8ET CFM-8EM/A CFM-8ET/A

| | | |
|---|----|----|
| | 1 | 2 |
| Vedi Pagina See Page Siehe Seite Voir Page Ver Página | 93 | 95 |



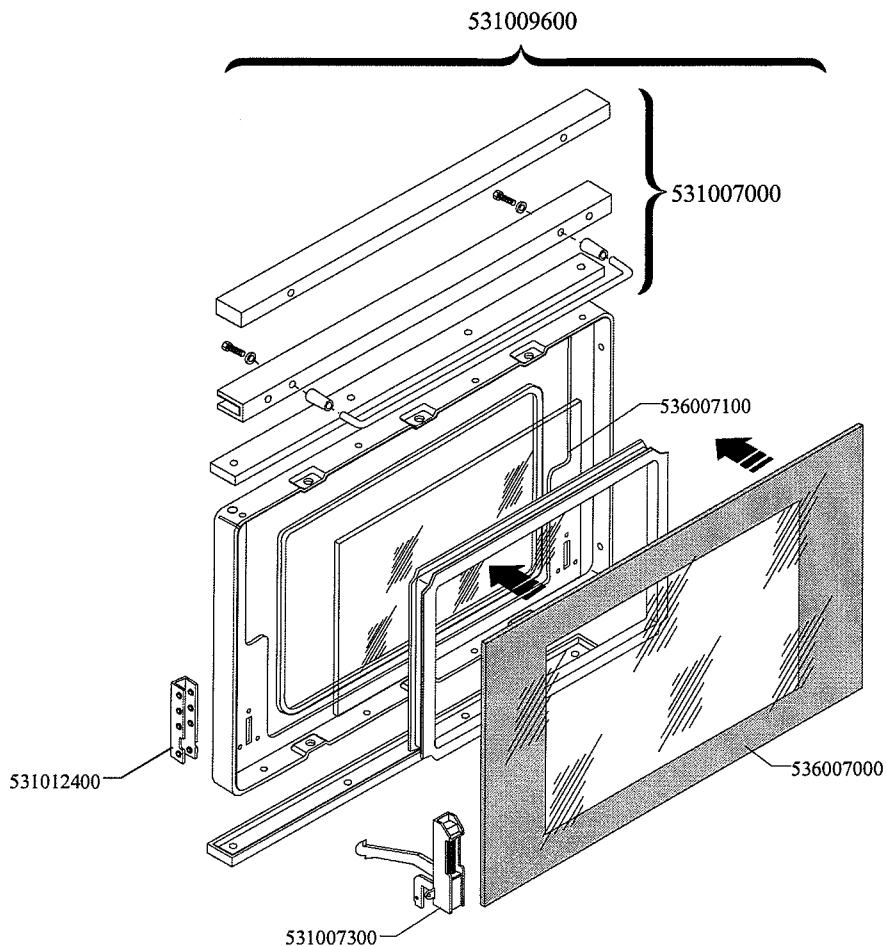
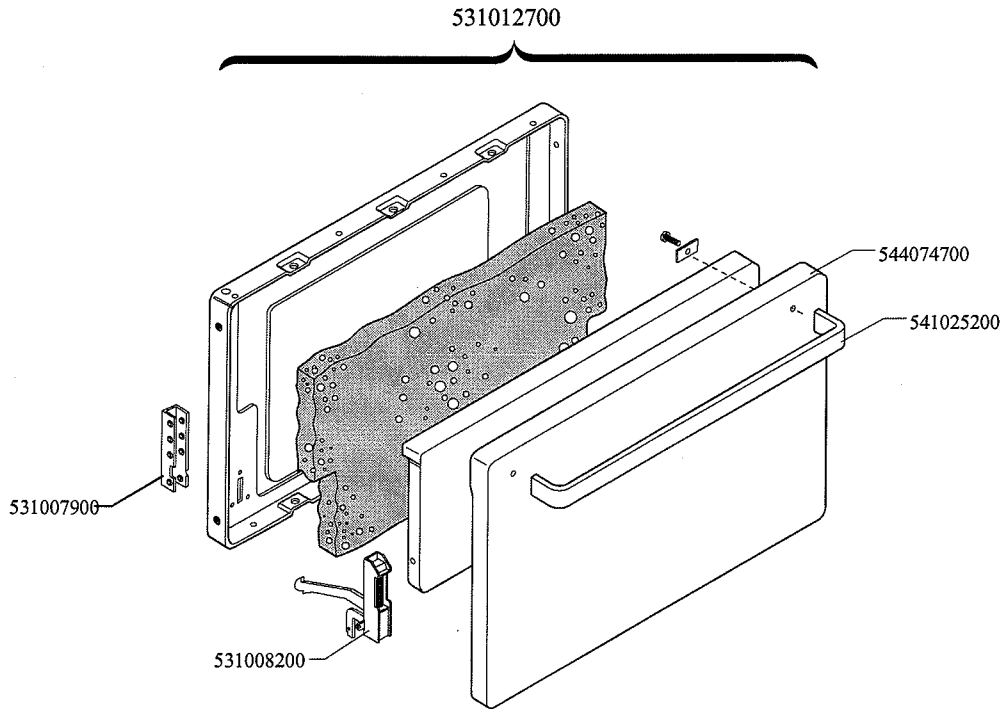
SNACK 60 CUCINE / SNACK 60 RANGES / SNACK 60 HERDE / SNACK 60 CUISINIÈRES

FORNO MULTIFUNZIONE ELETTRICO CF...-8... CF...-10... / MULTIFUNCTION ELECTRIC OVEN CF...-8... CF...-10... / MULTIFUNKTIONS ELEKTROBACKOFEN / CF...-8... CF...-10... / FOUR ELECTRIQUE A FONCTIONS MULTIPLES CF...-8... CF...-10...



SNACK 60 CUCINE / SNACK 60 RANGES / SNACK 60 HERDE / SNACK 60 CUISINIÈRES

**PORTE INOX/VETRO FORNO CF...-8... CF...-10... / STAINLESS-STEEL/GLASS DOORS
OVEN CF...-8... CF...-10... / EDELSTAHL/GLASTÜREN OFEN CF...-8... CF...-10... /
PORTES EN ACIER INOXYDABLE/VITRÈES POUR FOUR CF...-8... CF...-10**



| Page | Pos | Code | Description |
|------|-----|-----------|-------------------------------------|
| 001 | | 544044400 | SIDE 800 RANGE |
| 001 | | 536012000 | HEXAGONAL LOCK NUT PG-21 |
| 001 | | 537014000 | CABLE SECURING CLAMP PG-21 |
| 001 | | 531008100 | ADJUSTABLE LEG H9 CHROME |
| 001 | | 537007600 | TERMINAL BLOCK SINGLEPHASE 40A |
| 002 | | 541026900 | NEUTRAL SPACER 800 |
| 002 | | 537002300 | ELECTRICAL PLATE D.220 W2000 V230 |
| 002 | | 537002100 | ELECTRICAL PLATE D.145 W1000 V230 |
| 002 | | 537002200 | ELECTRICAL PLATE D.180 W1500 V230 |
| 002 | | 544216200 | UPPER PLATE CF-8E/A (OLD MOD.) |
| 002 | | 537000300 | COMMUTATOR 7 POSITIONS S.49 16A |
| 002 | | 544083000 | CONTROL PANEL FOR RANGE CFM-8ET |
| 002 | | 536002100 | KNOB 7 POSITIONS SNACK |
| 002 | | 537014100 | WHITE WARNING LIGHT 250V |
| 003 | | 537006800 | FAN 240V CF-62 |
| 003 | | 537019000 | CIRCULAR HEATING ELEMENT FOR OVEN |
| 003 | | 539018800 | INDEX FOR OVEN KNOB |
| 003 | | 537019200 | SELECTOR FOR MULTIFUNCTION OVEN |
| 003 | | 537014200 | GREEN WARNING LIGHT 250V |
| 003 | | 537006200 | UPPER OVEN HEATING EL.1000+2000W |
| 003 | | 537006300 | LOWER OVEN HEATING EL.W1750 230CF8/ |
| 003 | | 531013600 | SIDE GRID FOR MAXI/VENTILATED OVEN |
| 003 | | 536018300 | GRIP FOR ROTATING SPIT |
| 003 | | 534002200 | OVEN DRIPPING-PAN CF-8/10 |
| 003 | | 537005400 | OVEN BULB 15W 300°C |
| 003 | | 537007900 | OVEN BULB-SOCKET |
| 003 | | 534009100 | GRILL PROTECTION CF-8/10 |
| 003 | | 536011300 | OVEN GASKET CF-8/10 |
| 003 | | 531006700 | OVEN GRID FOR CF-8/10 |
| 003 | | 537005300 | MOTOR FOR SPIT CF-8/10 |
| 003 | | 539023800 | SIGN PLATE FOR OVEN TIMER |
| 003 | | 539023900 | SIGN PLATE FOR OVEN TEMPERATURE |
| 003 | | 539024000 | SIGN PLATE FOR OVEN SELECTOR |
| 003 | | 537019300 | TIMER FOR MULTIFUNCTION OVEN |
| 003 | | 537019100 | THERMOSTAT FOR MULTIFUNCTION OVEN |
| 003 | | 537014100 | WHITE WARNING LIGHT 250V |
| 003 | | 539023400 | ADHESIVE GRADUATED DISC F.KNOB |
| 003 | | 539023500 | ADHESIVE GRAD.DISC *E.MULTIF.TERM. |
| 003 | | 539023300 | ADHESIVE GRADUATED DISC FOR KNOB |
| 003 | | 536013800 | KNOB D.70 BLACK 6*5 WITH SPRING |
| 004 | | 531012700 | STAINLESS STEEL OVEN DOOR CF-8/10 |
| 004 | | 531007900 | STAINLESS STEEL DOOR WHEEL HOLDER |
| 004 | | 531008200 | STAINLESS STEEL DOOR HINGE CF-8/10 |
| 004 | | 544074700 | STAINLESS STEEL OVEN DOOR PANEL |
| 004 | | 541025200 | STAINLESS STEEL OVEN DOOR HANDLE |
| 004 | | 531009600 | COMPLETE GLASS OVEN DOOR |
| 004 | | 531007000 | OVEN GLASS DOOR HANDLE CF-8/10 |
| 004 | | 536007100 | INTERNAL GLASS OVEN DOOR CF-8/10 |
| 004 | | 536007000 | EXTERNAL GLASS OVEN DOOR CF8/10 |
| 004 | | 531012400 | GLASS DOOR WHEEL HOLDER CF-8/10 |
| 004 | | 531007300 | GLASS DOOR HINGE CF-8/10 |