

# MAR 1-2-3 Split

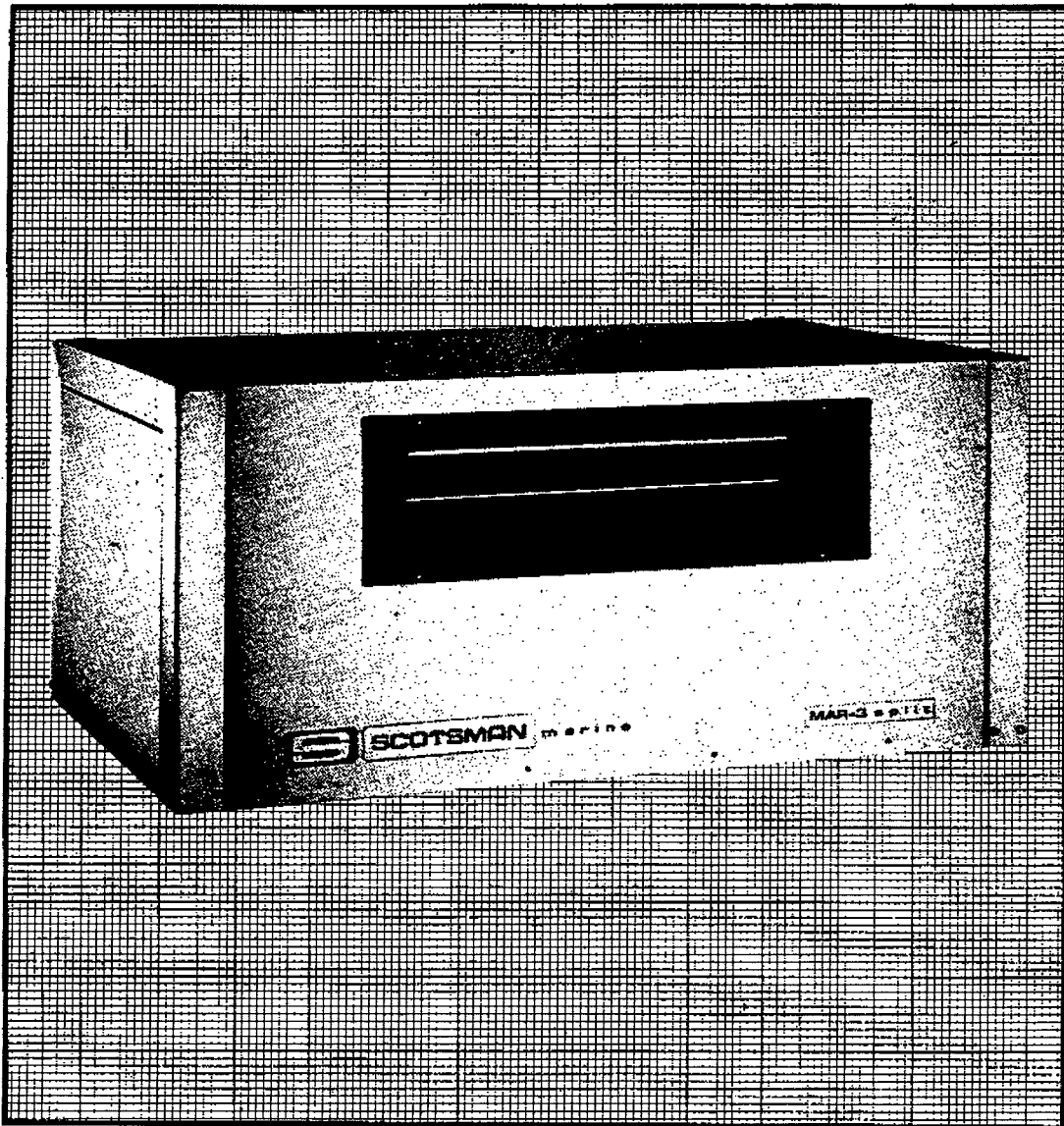
## Scale ice makers

Spare parts list

Catalogo ricambi

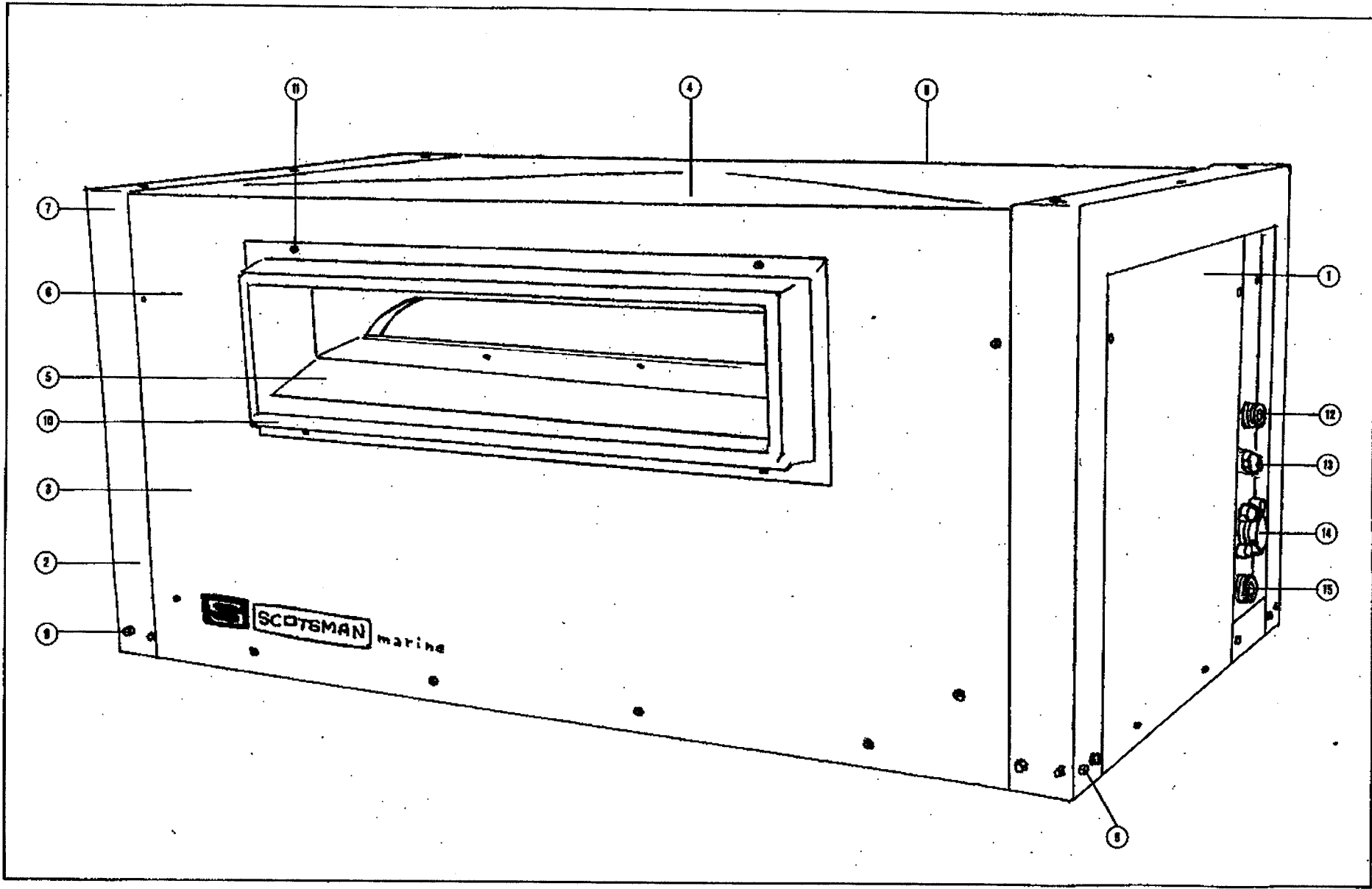
Catalogues pièces détachées

Ersatzteilkatalog



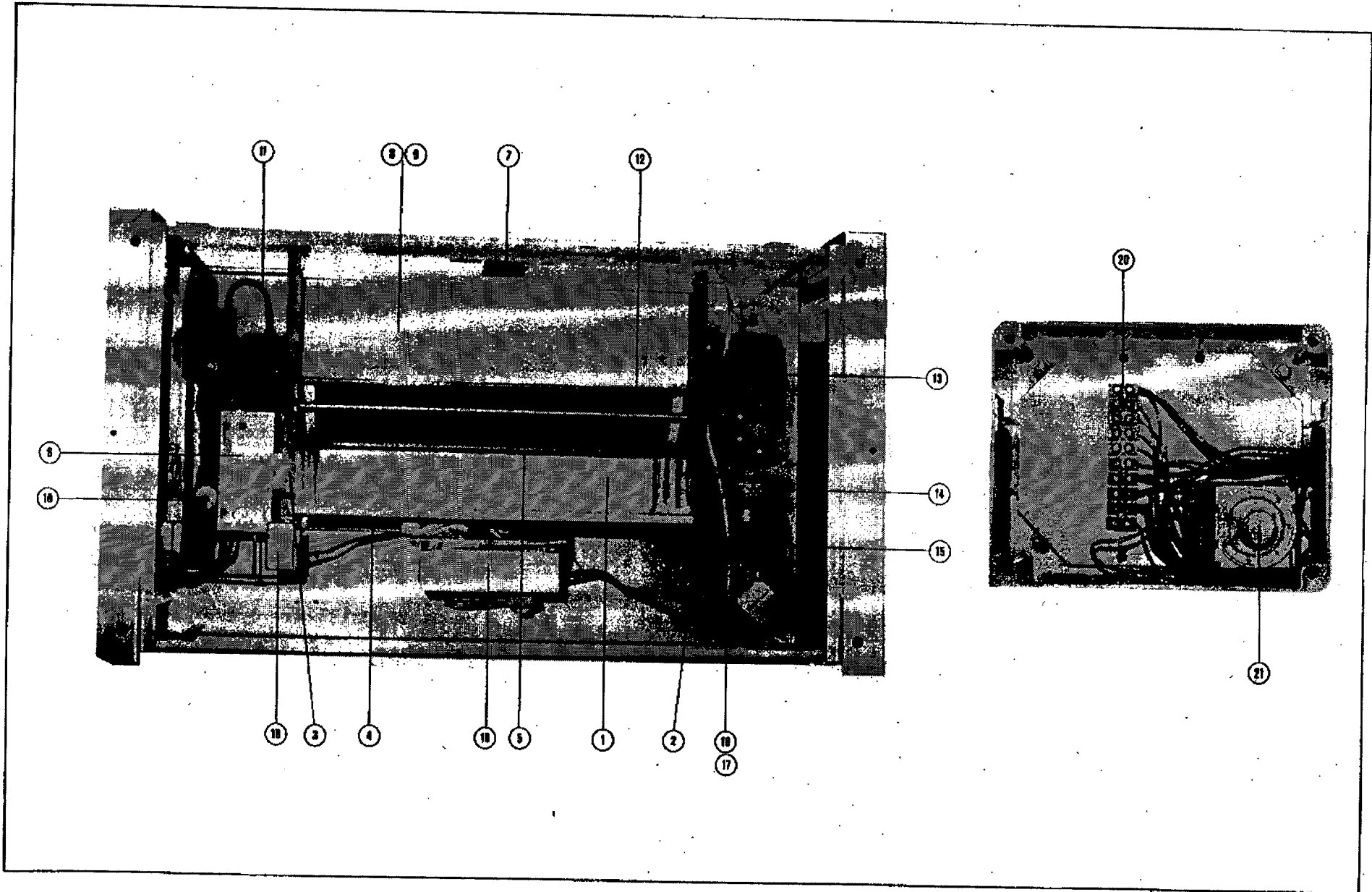
**SCOTSMAN®**

**ICE SYSTEMS**



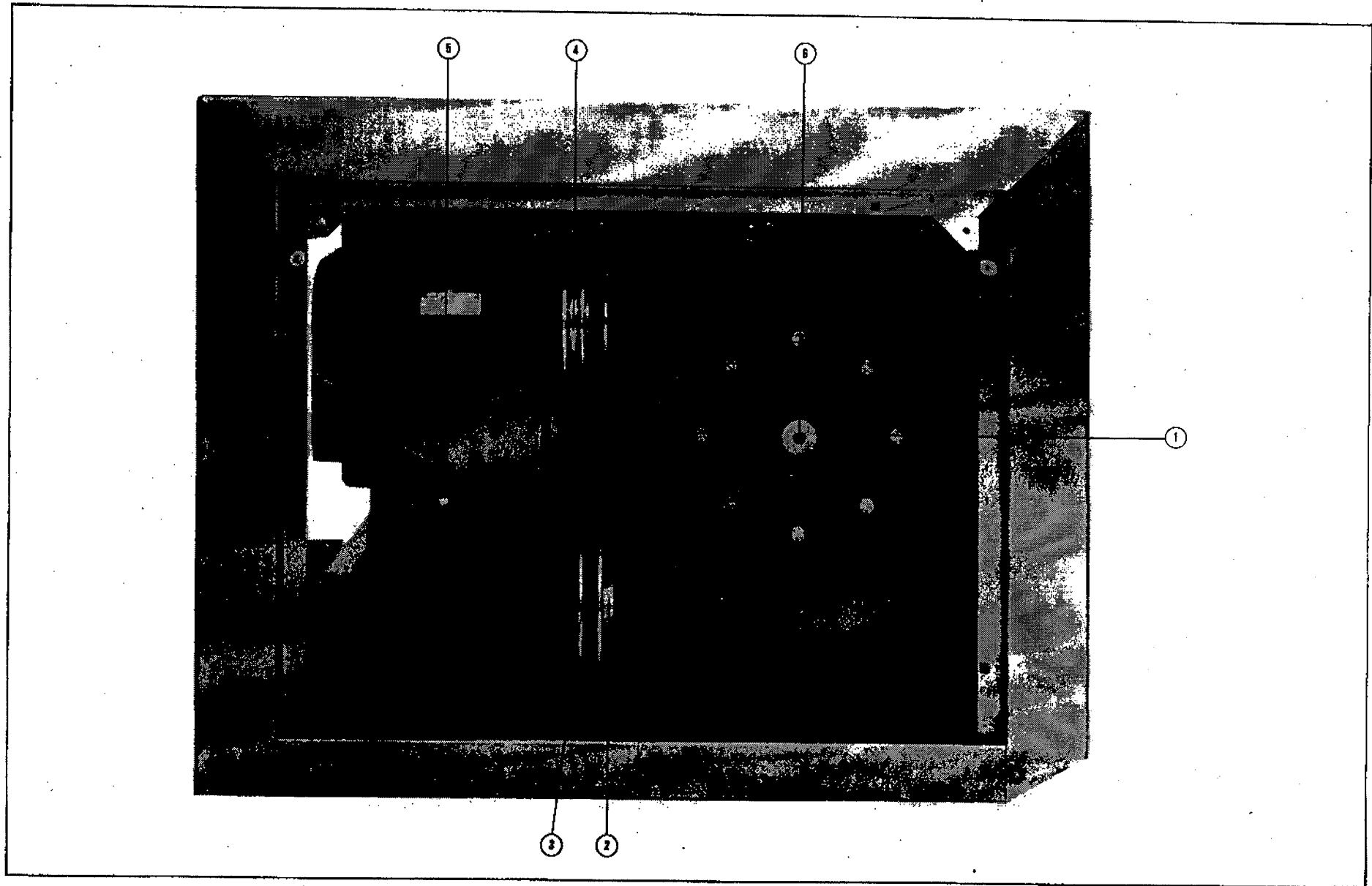
MAR 1-2-3 SPLIT - UNIT PANELS - ASSIEME MOBILE - ENS. CORROSERIE - AUSWAENDE

| ITEM NO. | PART NO   |  |                        | DESCRIPTION                                      | DESCRIZIONE  | DÉSIGNATION  | BESCHREIBUNG  |
|----------|-----------|--|------------------------|--|--|--|---|
|          | MAR 1     | MAR 2  | MAR 3                  |  |  |  |   |
| 1        | 721466.00 | 721467.00<br>470002.04<br>650428.03              |                        | LEFT SIDE PANEL<br>SCREW<br>PLASTIC CLIP         | PANN. LAT. SIN.<br>VITE<br>MOLLETTA IN PLASTICA      | PANNEAU GAUCHE<br>VIS<br>CLIP EN PLASTIQUE                   | LINKE AUSSENWAND<br>SCHRAUBE<br>PLASTISCHE MUTTER         |
| 2        |           |  |                        | FRAME ASSY                                       | ASSIEME TELAIO                                       | ENSEMBLE CHASSIS   | UNTERGESTELLEINHEIT                                       |
| 3        | 721468.01 | 721469.01  |                        | REAR PANEL                                       | PANNELLO POSTERIORE                                  | PANNEAU ARRIERE  | RUECKWAND   |
| 4        | 721444.04 | 721444.03  |                        | TOP PANEL  | PANNELLO SUPERIORE                                   | PANNEAU DESSUS   | ABDECKHAUBE   |
| 5        | 741101.03 | 741101.02  |                        | PLASTIC CHUTE                                    | SCIVOLO  | GLISSIERE  | EISRUTSCHEN   |
| 6        |           | 470002.03  |                        | SCREW  | VITE   | VIS  | SCHRAUBE  |
| 7        | 721466.01 | 721467.01  |                        | RIGHT PANEL                                      | PANNELLO DESTRO                                      | PANNEAU DROITE   | RECHTE SEITENWAND   |
| 8        | 781359.09 | 781359.11  |                        | FRONT PANEL                                      | PANNELLO-FRONTALE                                    | PANNEAU AVANT  | VORDERWAND  |
| 9        |           | 420000.12  |                        | SCREW  | VITE   | VIS  | SCHRAUBE  |
| 10       | 660478.00 | 660478.01  |                        | SPOUT OPENING FRAME                              | CARTER BOCCA USCITA GHIACCIO                         | CARTER GOULOTTE SORTIE GLACE                                 | TRICHTEREINHEIT   |
| 11       |           | 470026.00  |                        | SCREW  | VITE   | VIS  | SCHRAUBE  |
| 12       |           | 733205.00<br>400031.00<br>400030.00<br>650104.00 |                        | WATER INLET FITTING<br>GASKET<br>NUT<br>STRAINER | RACC. ENTRATA ACQUA<br>GUARNIZIONE<br>DADO<br>FILTRO | RACCORD ARRIVÉE D'EAU<br>JOINT DE SERRAGE<br>ECROU<br>FILTRE | WASSEREINLAUF<br>DICHTUNG<br>MUTTER<br>FILTER             |
| 13       | 400085.01 | 400085.02  |                        | LIQUID REFRIG. LINE<br>CONNECTION                | RACCORDO TUBAZIONE<br>REFRIG. LIQUIDO                | RACCORD TUYAUTERIE<br>REFRIG. LIQUIDE                        | FLUSSIGE KALTEMITTEL<br>LEITUNG ANSCHLUSS                 |
| 14       | 400085.03 | 650521.00<br>640076.09                           | 650521.01<br>640076.10 | GAS REFRIG. LINE CONNECTION<br>GASKET<br>SCREW   | RACCORDO TUBAZ. REFR. GAS<br>GUARNIZIONE<br>VITE     | RACCORD TUYAUTERIE REFRIG. GAZ<br>JOINT<br>VIS               | GAS KALTEMITTEL LEITUNG ANSCHLUSS<br>DICHTUNG<br>SCHRAUBE |
| 15       |           | 660224.00<br>400071.00<br>400070.00              |                        | WATER OUTLET FITTING<br>GASKET<br>NUT            | RACC. SCARICO ACQUA<br>GUARNIZIONE<br>DADO           | RACC. EVAC. D'EAU<br>JOINT<br>ECROU                          | WASSER ABFLUSS<br>DICHTUNG<br>MUTTER                      |
|          |           |  |                        |  |  |  |   |



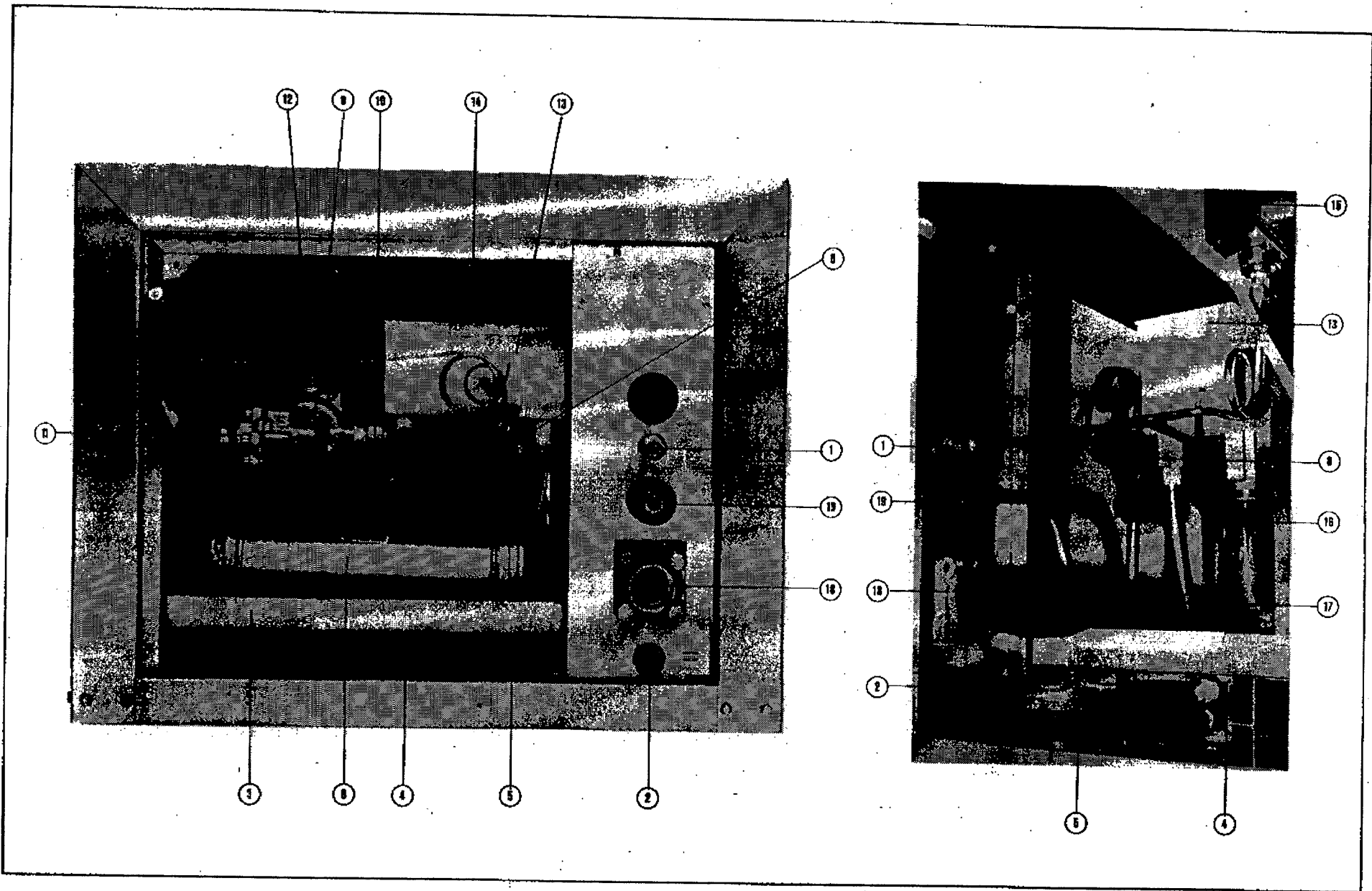
MAR 1-2-3 SPLIT - TOP VIEW - VISTA SUPERIORE - VUE SUPERIEURE - OBERE ANSICHT

| ITEM NO | PART NO   |   |  | DESCRIPTION  | DESCRIZIONE   | DÉSIGNATION   | BESCHREIBUNG  |
|---------|---|---|--|--|---|---|---|
|         | MAR 1   | MAR 2   | MAR 3  |  |   |   |   |
| 1       | 794261.00*<br>794271.00                                       | 794264.00*<br>794274.00   |  | EVAPORATOR DRUM BASIN<br>EVAPORATOR DRUM BASIN   | ASSIEME VASCA EVAPORATORE<br>ASSIEME VASCA EVAPORATORE  | ENSEMBLE CUVE EVAPORATEUR<br>ENSEMBLE CUVE EVAPORATEUR  | WASSERBAD<br>WASSERBAD  |
| 2       | 742096.00*<br>794272.00                                       | 742095.00*<br>794272.01   |  | BASIN SIDE - GEAR SIDE<br>BASIN SIDE - GEAR SIDE   | FIANCO VASCA - LATO RIDUTT.<br>FIANCO VASCA - LATO RIDUTT.  | PARTIE DROITE DE CUVE<br>PARTIE DROITE DE CUVE  | WASSERBAD RECHTENSEITE<br>WASSERBAD RECHTENSEITE  |
| 3       | 742097.00*<br>794273.00                                       | 742094.00*<br>794273.01   |  | BASIN SIDE - REFR. SIDE<br>BASIN SIDE - REFR. SIDE   | FIANCO VASCA - LATO REFR.<br>FIANCO VASCA - LATO REFR.  | PARTIE GAUCHE DE CUVE<br>PARTIE GAUCHE DE CUVE  | WASSERBAD LINKENSEITE<br>WASSERBAD LINKENSEITE  |
| 4       | 724263.05<br>723120.05  | 724263.04<br>723120.04<br>420000.02<br>441001.07  |  | BASIN BODY<br>TIE-ROD<br>SCREW<br>WASHER   | CORPO VASCA<br>TIRANTE<br>VITE<br>RONDELLA  | PARTIE CENTRALE DE CUVE<br>ARBRE<br>VIS<br>RONDELLE   | WASSERBAD BANDEN<br>SHAFT<br>SCHRAUBE<br>SCHEIBE  |
| 5       | 784353.00*<br>784353.02                                       | 784353.01*<br>784353.03   |  | EVAP. DRUM ASSY<br>EVAP. DRUM ASSY   | ASSIEME TAMBURO EVAP.<br>ASSIEME TAMBURO EVAP.  | ENSEMBLE TAMBOUR EVAP.<br>ENSEMBLE TAMBOUR EVAP.  | KOMPLETT VERDAMPFER<br>KOMPLETT VERDAMPFER  |
| 6       | 793126.13<br>660459.00<br>680363.00<br>783127.00              | 793126.14<br>783159.00<br>783160.00<br>783161.00<br>430014.00<br>440015.03<br>783153.00<br>460038.02<br>640100.00 |  | FLOAT RESERV. ASSY<br>RESERVOIR<br>COVER<br>FLOAT BALL<br>SCREW<br>WASHER<br>NOZZLE<br>RING<br>O RING  | ASSIEME VASCHETTA GALLEGGIANTE<br>VASCHETTA<br>COPERCHIO<br>GALLEGGIANTE<br>VITE<br>RONDELLA<br>UGELLO<br>ANELLO<br>ANELLO OR   | ENSEMBLE RESERV. A FLOTTEUR<br>RESERVOIR<br>COUVERCLE<br>FLOTTEUR<br>VITE<br>RONDELLE<br>GICLEUR<br>ANNEAU<br>JOINT TORIQUE | BECKEN EINHEIT MIT SCHWIMMER VENT<br>BECKENEINHEIT<br>DECKEL<br>SCHWIMMER<br>SCHRAUBE<br>SCHEIBE<br>RING<br>RING<br>SIMMERING                           |
| 7       |   | 620366.00   |  | SPOUT SWITCH   | MICRO-BOCCHETTA   | MICRO-GOULOTTE  | MICRO-SCHALTER  |
| 8       |   | 650161.00   |  | SPRING   | MOLLETTA  | RESSORT   | FEDER   |
| 9       | 724276.01   | 724276.00   |  | PRESSURE PLATE   | PIASTRA DI PRESS.   | PLAQUETTE DE PRESSION   | DRUCKPLATTE   |
| 10      | 620326.05<br>620326.05<br>620326.05<br>620326.05<br>001010.01 | 620326.07*<br>620326.06*<br>620326.09<br>620326.07<br>001010.02   | 620326.08*<br>620326.06<br>620326.07<br>620326.06<br>001010.02 | EXPANSION VALVE - FRESH WATER<br>EXPANSION VALVE - SEA WATER<br>EXPANSION VALVE - FRESH WATER<br>EXPANSION VALVE - SEA WATER<br>EXPANSION VALVE NOZZLE | VALV. DI ESPANSIONE - ACQUA DOLCE<br>VALV. DI ESPANSIONE - ACQUA DI MARE<br>VALV. DI ESPANSIONE - ACQUA DOLCE<br>VALV. DI ESPANSIONE - ACQUA DI MARE<br>UGELLO VALVOLA ESPANSIONE | DETENDEUR - EAU DOUCE<br>DETENDEUR - EAU DE MER<br>DETENDEUR - EAU DOUCE<br>DETENDEUR - EAU DE MER<br>GICLEUR - DETENDEUR   | EXPANSION VENTIL - SÜSS WASSER<br>EXPANSION VENTIL - SEE WASSER<br>EXPANSION VENTIL - SÜSS WASSER<br>EXPANSION VENTIL - SEE WASSER<br>EXP. VENTILSDUESE |
| 11      |   | 620324.03   |  | SIGHT GLASS  | SPIA LIQUIDO  | HUBLOT  | SCHAUGLASS  |
| 12      | 724278.00   | 724278.01   |  | DRUM GUARD   | PIASTRA PROTEZIONE  | PLAQUE PROTECTION   | SCHUTZPLATTE  |
| 13      | 620377.00*<br>620377.02                                       | 620377.01*<br>620377.03   |  | GEAR REDUCER<br>GEAR REDUCER   | RIDUTTORE<br>RIDUTTORE  | BOITE REDUCTEUR<br>BOITE REDUCTEUR  | GETRIEBE<br>GETRIEBE  |
| 14      | 734597.03*<br>734597.03*<br>734597.07                         | 734597.05*<br>734597.07*<br>734597.18   | 734597.07*<br>734597.08*<br>734597.07                          | MOTOR PULLEY - FRESH WATER<br>MOTOR PULLEY - SEA WATER<br>MOTOR PULLEY   | PULEGGIA MOTORE - ACQUA DOLCE<br>PULEGGIA MOTORE - ACQUA DI MARE<br>PULEGGIA MOTORE   | POULIE MOTEUR - EAU DOUCE<br>POULIE MOTEUR - EAU DE MER<br>POULIE MOTEUR  | ANTRIEBS-SCHEIBE - SÜSS WASSER<br>ANTRIEBS-SCHEIBE - SEE WASSER<br>ANTRIEBS-SCHEIBE   |
| 15      |   | 620344.00<br>620316.02  |  | DRIVE MOTOR 24 V<br>DRIVE MOTOR 380 V  | MOTORE AZIONAMENTO 24 V<br>MOTORE AZIONAMENTO 380 V   | MOTEUR D'ENTREINEMENT 24 V<br>MOTEUR D'ENTRAINEMENT 380 V   | ANTRIEBSMOTOR 24 V<br>ANTRIEBS MOTOR 380 V  |
| 16      | 784350.00   | 784350.01<br>420000.13<br>441001.05<br>430001.02  |  | MOTOR BRACKET SLEIGHT<br>SCREW<br>WASHER<br>NUT  | SLITTA SUPPORTO MOTORE<br>VITE<br>RONDELLA<br>DADO  | COULISSEU PORTE MOTEUR<br>VIS<br>RONDELLE<br>ECROU  | ANTRIEBSMOTORANLAGE SCHLITTEN<br>SCHRAUBE<br>SCHEIBE<br>MUTTER  |
| 17      |   | 420000.29<br>441001.07  |  | SCREW<br>WASHER  | VITE<br>RONDELLA  | VIS<br>RONDELLE   | SCHRAUBE<br>SCHEIBE   |
| 18      |   | 620241.00<br>620322.00  |  | WASSER PRESS. CONTROL -<br>FRESH WATER<br>WASSER PRESS. CONTROL -<br>SEA WATER   | PRESSOSTATO ACQUA -<br>ACQUA DOLCE<br>PRESSOSTATO ACQUA -<br>ACQUA DI MARE  | PRESSOSTAT D'EAU -<br>EAU DOUCE<br>PRESSOSTAT D'EAU<br>EAU DE MER   | WASSERDRUCKSCHALTER -<br>SÜSS WASSER<br>WASSERDRUCKSCHALTER -<br>SEA WASSER   |
| 19      |   | 630111.04   |  | CONTROL BOX  | SCATOLA ELETTRICA   | BOITE ELECTRONIQUE  | ANSCHLUSSKASTENEINHEIT  |
| 20      |   | 630083.04   |  | TERMINAL BLOCK   | MORSETTIERA   | BORNIER   | ANSCHLUSSKASTEN   |
| 21      |   | 620371.00   |  | TIME DELAY   | RITARDORE   | TEMPORIZATEUR   | SICHERUNGZEITHUR  |
|         |   |   |  | * Up to MAR 1 S.N. 2058<br>Up to MAR 2 S.N. 2086<br>Up to MAR 3 S.N. 2103  | * Fino al MAR 1 N.S. 2058<br>Fino al MAR 2 N.S. 2086<br>Fino al MAR 3 N.S. 2103   | * Jusqu'à MAR 1 N.S. 2058<br>Jusqu'à MAR 2 N.S. 2086<br>Jusqu'à MAR 3 N.S. 2103   | * Bis MAR 1 S.N. 2058<br>Bis MAR 2 S.N. 2086<br>Bis MAR 3 S.N. 2103   |



**MAR 1-2-3 SPLIT - DRIVE SIDE VIEW - VISTA LATO MOTORIDUTTORE - VUE COTÈ MOTOREDUCTEUR - GETRIEBEMOTORSEITENSICHT**

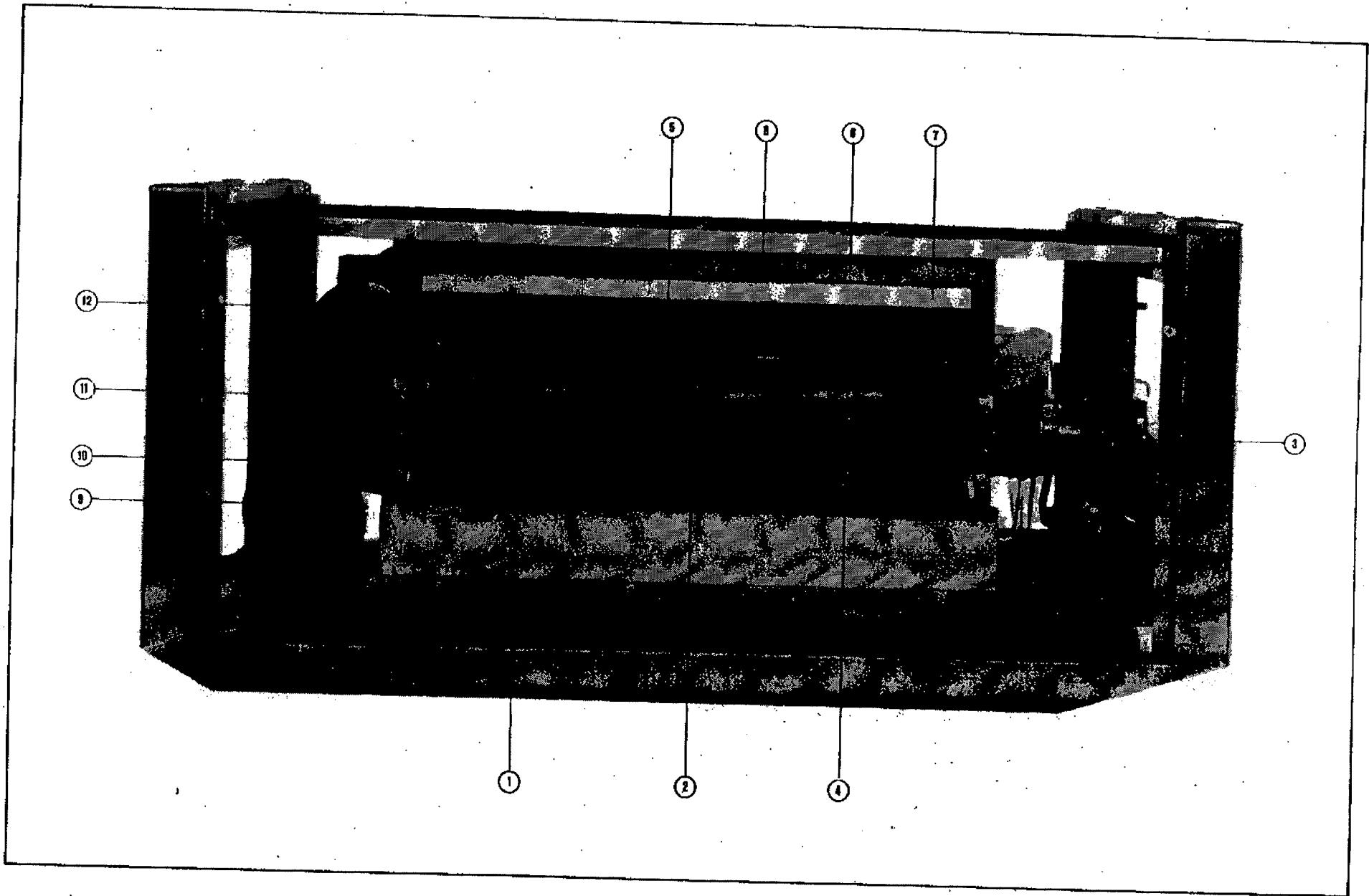
| ITEM NO | PART NO  |  |                                       | DESCRIPTION  | DESCRIZIONE   | DÉSIGNATION  | BESCHREIBUNG   |
|---------|--|--|---------------------------------------|--|---|--|--|
|         | MAR 1  | MAR 2  | MAR 3                                 |  |   |  |  |
| 1       | 620377.00*<br>620377.02<br>420002.14<br>441001.04<br>430001.05 | 620377.01*<br>620377.03<br>420002.17<br>440015.07<br>430001.07             |                                       | GEAR REDUCER<br>GEAR REDUCER<br>SCREW<br>WASHER<br>NUT                       | RIDUTTORE<br>RIDUTTORE<br>VITE<br>RONDELLA<br>DADO  | BOITE REDUCTEUR<br>BOITE REDUCTEUR<br>VIS<br>RONDELLE<br>ECROU                                       | GETRIEBE<br>GETRIEBE<br>SCHRAUBE<br>SCHEIBE<br>MUTTER                                  |
| 2       | 734597.04*<br>734597.12<br>741092.02                           | 734597.05*<br>734597.04<br>741092.03<br>420025.02                          |                                       | REDUCER PULLEY<br>REDUCER PULLEY<br>KEY<br>SCREW                             | PULEGGIA RIDUTTORE<br>PULEGGIA RIDUTTORE<br>CHIAVETTA<br>VITE   | POULIE REDUCTEUR<br>POULIE REDUCTEUR<br>CLAVETTE<br>VIS  | GETRIEBRIEMEN<br>GETRIEBRIEMEN<br>SCHLUSSE<br>SCHRAUBE                                 |
| 3       | 650422.05<br>650422.05<br>650422.05                            | 650422.05*<br>650422.04<br>650422.16                                       |                                       | V.BELT - FRESH WATER<br>V.BELT - SEA WATER<br>V.BELT                         | CINGHIA TRAPEZIOIDALE - ACQUA DOLCE<br>CINGHIA TRAPEZIOIDALE - ACQUA DI MARE<br>CINGHIA TRAPEZIOIDALE | COURROIE - EAU DOUCE<br>COURROIE - EAU DE MER<br>COURROIE  | KIELRIEMEN - SÜSS WASSER<br>KIELRIEMEN - SEE WASSER<br>KIELRIEMEN                      |
| 4       | 734597.03*<br>734597.03*<br>734597.07                          | 734597.05*<br>734597.07*<br>734597.18                                      | 734597.07*<br>734597.08*<br>734597.07 | MOTOR PULLEY - FRESH WATER<br>MOTOR PULLEY - SEA WATER<br>MOTOR PULLEY       | PULEGGIA MOTORE - ACQUA DOLCE<br>PULEGGIA MOTORE - ACQUA DI MARE<br>PULEGGIA MOTORE                   | POULIE MOTEUR - EAU DOUCE<br>POULIE MOTEUR - EAU DE MER<br>POULIE MOTEUR                             | ANTRIEBS-SCHEIBE - SÜSS WASSER<br>ANTRIEBS-SCHEIBE - SEE WASSER<br>ANTRIEBS-SCHEIBE    |
| 5       |  | 620344.00<br>620316.02<br>420000.11<br>440002.03<br>440015.05<br>441001.05 |                                       | DRIVE MOTOR 24 V<br>DRIVE MOTOR 380 V<br>SCREW<br>WASHER<br>WASHER<br>WASHER | MOTORE AZIONAMENTO 24 V<br>MOTORE AZIONAMENTO 380 V<br>VITE<br>RONDELLA<br>RONDELLA<br>RONDELLA       | MOTEUR D'ENTREINEMENT 24 V<br>MOTEUR D'ENTREINEMENT 380 V<br>VIS<br>RONDELLE<br>RONDELLE<br>RONDELLE | ANTRIEBSMOTOR 24 V<br>ANTRIEBSMOTOR 380 V<br>SCHRAUBE<br>SCHEIBE<br>SCHEIBE<br>SCHEIBE |
| 6       | 741092.02  | 741092.03  |                                       | FIBER KEY  | CHIAVETTA FIBRA   | CLAVETTE CELERON   | FIBER KEIL   |
|         |  |  |                                       | * Up to MAR 1 S.N. 2058<br>Up to MAR 2 S.N. 2086<br>Up to MAR 3 S.N. 2103    | * Fino al MAR 1 N.S. 2058<br>Fino al MAR 2 N.S. 2086<br>Fino al MAR 3 N.S. 2103                       | * Jusqu'à MAR 1 N.S. 2058<br>Jusqu'à MAR 2 N.S. 2086<br>Jusqu'à MAR 3 N.S. 2103                      | * Bis MAR 1 S.N. 2058<br>Bis MAR 2 S.N. 2086<br>Bis MAR 3 S.N. 2103                    |





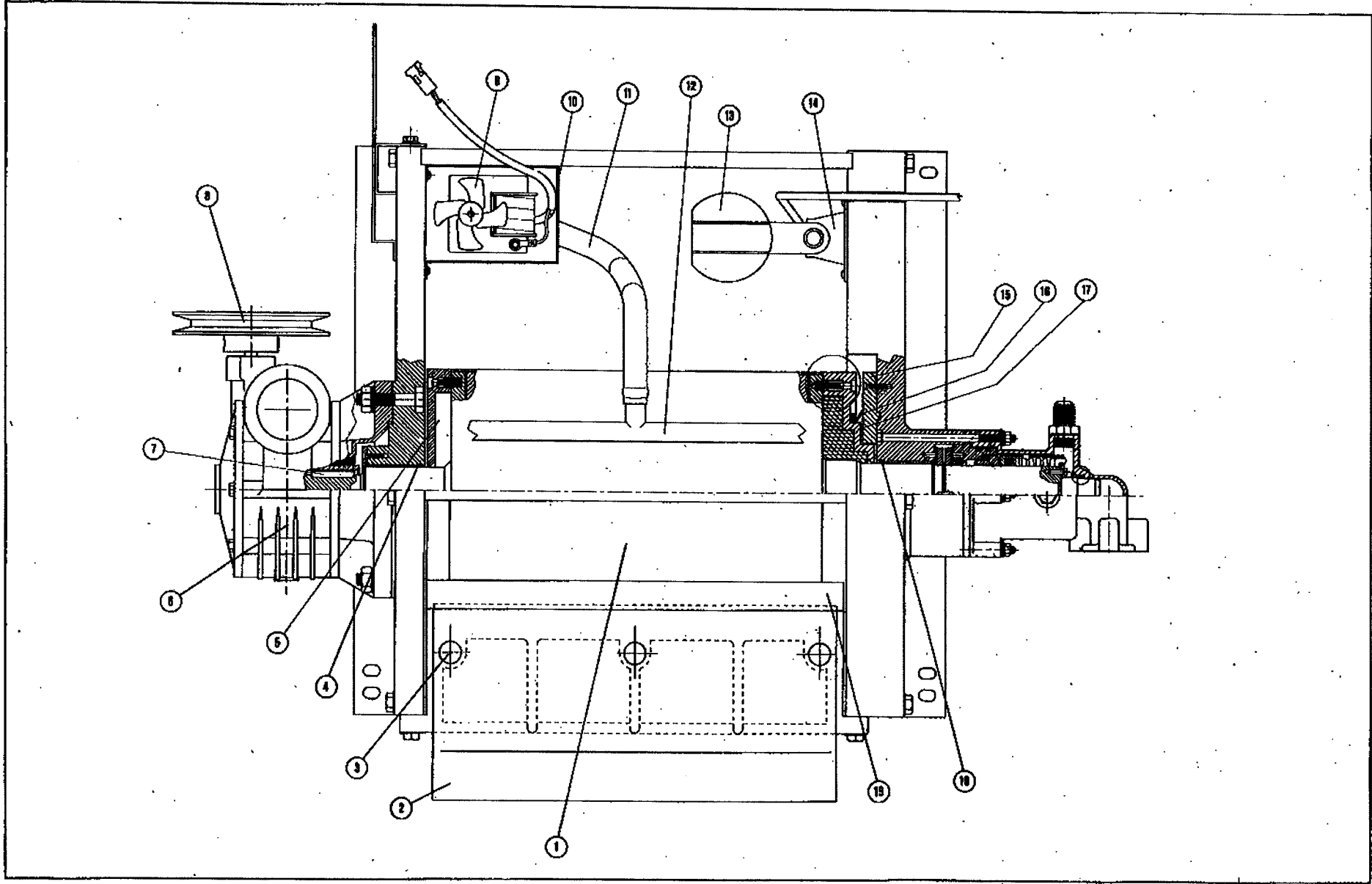
MAR 1-2-3 SPLIT - REFRIG. SIDE VIEW - VISTA LATO REFRIGERANTE - VUE COTÈ REFRIG. - GEFRIEREINSAMMLER.

| ITEM NO | PART NO   |   |  | DESCRIPTION  | DESCRIZIONE   | DÉSIGNATION   | BESCHREIBUNG  |
|---------|---|---|--|--|---|---|---|
|         | MAR 1   | MAR 2   | MAR 3  |  |   |   |   |
| 1       |   | 733205.00*<br>400031.00<br>400030.00<br>650104.00               |  | WATER INLET FITTING<br>GASKET<br>NUT<br>STRAINER   | RACC. ENTRATA ACQUA<br>GUARNIZIONE<br>NUT<br>FILTRO   | RACCORD D'ARRIVÉE D'EAU<br>JOINT DE SERRAGE<br>ECROU<br>FILTRE  | WASSEREINLAUF<br>DICHTUNG<br>MUTTER<br>FILTER   |
| 2       |   | 660224.00<br>400071.00<br>400070.00                             |  | WATER OUTLET FITTING<br>GASKET<br>NUT  | RACC. SCARICO ACQUA<br>GUARNIZIONE<br>DADO  | RACCORDO EVAC. D'EAU<br>JOINT<br>ECROU  | WASSERABFLUSS<br>DICHTUNG<br>MUTTER   |
| 3       |   | 781365.03   |  | WATER TRAY   | BACINELLA   | GOUELLE D'EAU   | TRAPPFANNE  |
| 4       |   | 660219.00<br>660211.01<br>640134.00                             |  | WATER DRAIN FITTING<br>MALE FITTING<br>O RING  | RACC. SCARICO BACINELLA<br>RACC. MASCHIO<br>ANELLO OR   | RACC. EVAC. D'EAU<br>RACC. MALE<br>JOINT TORIQUE  | TROPFFANNE WASSERABFLUSS<br>ZAPFEN<br>SIMMERING   |
| 5       |   | 460038.00   |  | DRAIN TUBE<br>CLAMP  | TUBO SCARICO<br>FASCETTA  | TUYAU D'EVACUATION<br>COLLIER   | WASSERABFLUSSROHR<br>KLEMME   |
| 6       | 620317.00   | 620317.01   | 620317.02  | HEAT EXCHANGER   | SCAMBIATORE DI CALORE   | EXCHANGEUR DE CHALEUR   | WARMETAUSCHER   |
| 7       |   | 620324.03   |  | LIQUID SIGHT GLASS   | SPIA LIQUIDO  | HUBLLOT   | SCHAUGLASS  |
| 8       | 620326.05<br>620326.05<br>620326.05<br>620326.05<br>001010.01 | 620326.07*<br>620326.06*<br>620326.09<br>620326.07<br>001010.02 | 620326.06*<br>620326.06<br>620326.07<br>620326.06<br>001010.02 | EXPANSION VALVE - FRESH WATER<br>EXPANSION VALVE - SEA WATER<br>EXPANSION VALVE - FRESH WATER<br>EXPANSION VALVE - SEA WATER<br>EXPANSION VALVE NOZZLE | VALV. DI ESPANSIONE - ACQUA DOLCE<br>VALV. DI ESPANSIONE - ACQUA DI MARE<br>VALV. DI ESPANSIONE - ACQUA DOLCE<br>VALV. DI ESPANSIONE - ACQUA DI MARE<br>UGELLO VALVOLA ESPANSIONE | DETENDEUR - EAU DOUCE<br>DETENDEUR - EAU DE MER<br>DETENDEUR - EAU DOUCE<br>DETENDEUR - EAU DE MER<br>GICLEUR - DETENDEUR | EXPANSION VENTIL - SOSS WASSER<br>EXPANSION VENTIL - SEE WASSER<br>EXPANSION VENTIL - SOSS WASSER<br>EXPANSION VENTIL - SEE WASSER<br>EXP. VENTILSDUESE |
| 9       |   | 743127.01<br>440015.05<br>430001.02                             |  | REFRIGERANT MINIFORLD<br>WASHER<br>NUT   | COLLETTORE REFRIGERANTE<br>RONDELLA<br>DADO   | COLLECTEUR REFRIGERANT<br>RONDELLE<br>ECROU   | EINSAMMLER<br>SCHEIBE<br>MUTTER   |
| 10      |   | 733208.00<br>400085.00  |  | REF. LINE FITTING<br>FLARE NUT   | RACC. ACCOPP. TUBO REFRIG.<br>DADO SVASATO  | ACCOUPL. TUYAU REFRIG.<br>ECROU   | KALTEMITTEL ROHR VERBINDUNG<br>MUTTER   |
| 11      |   | 650521.00   |  | MANIFOLD FITTING   | RACCORDO COLLETTORE   | RACCORD COLLECTEUR  | EINSAMMLER ANSCHLUSS  |
| 12      |   | 650109.00<br>650106.00<br>650538.00                             |  | VALVE BODY<br>CAP<br>REFRIG. FITTING   | CORPO VALVOLA<br>CAPPELLOTTO<br>RACCORDO REFRIGERANTE   | CORP DE VANNE<br>CLAPET<br>RACCORD REFRIGERANT  | VENTIL BODEN<br>STOPFEN<br>KALTEMITTEL FULLUNG ANSCHLUSS  |
| 13      | 793126.13<br>783127.00<br>660363.00<br>723139.00              | 793126.14<br>783161.00<br>783160.00<br>723139.00                |  | FLOAT RESERVOIR ASSY<br>FLOAT VALVE ASSY<br>RESERV. COVER<br>RESERV. BRACKET   | ASS. VASCHETTA C/GALLEGGIANTE<br>ASSIEME GALLEGGIANTE<br>ASSIEME COPERCHIO<br>SUPPORTO VASCHETTA  | ENS. RESERVOIR A FLOTTEUR<br>ENS. VANNE A FLOTTEUR<br>COUVERCLE<br>SUPPORT RESERVOIR                                      | BECKENEINHEIT MIT SCHWIMMER VENT<br>SCHWIMMER VENT<br>DECKEL<br>BECKENHALTERUNG   |
| 14      |   | 420008.08<br>441001.02  |  | SCREW<br>WASHER  | VITE<br>RONDELLA  | VIS<br>RONDELLE   | SCHRAUBE<br>SCHEIBE   |
| 15      |   | 620241.00<br>620322.00  |  | WASHER PRESS. CONTROL -<br>FRESH WATER<br>WATER PRESS. CONTROL -<br>SEA WATER  | PRESSOSTATO ACQUA -<br>ACQUA DOLCE<br>PRESSOSTATO ACQUA -<br>ACQUA SALATA   | PRESSOSTA D'EAU<br>EAU DOUCE<br>PRESSOSTAT D'EAU -<br>EAU DE MER  | WASSER DRUCKSCHALETTR -<br>SOSS WASSER<br>WASSER DRUCKSCHALTER -<br>SEE WASSER  |
| 16      |   |   |  | WATER TUBE - INLET   | TUBO ACQUA - ENTRATA  | TUYAU D'ARRIVÉE - D'EAU   | WASSEREINLAUFROHR   |
| 17      |   |   |  | WATER TUBE - OUTLET  | TUBO ACQUA - SCARICO  | TUYAU EVAC. - D'EAU   | WASSEAUFLAUFROHR  |
| 18      | 400085.03   | 650521.00<br>640076.09  | 650521.01<br>640076.10   | REFRIG. GAS LINE CONNECTION<br>GASKET<br>SCREW   | RACCORDO TUBAZ. REFR. GAS<br>GUARNIZIONE<br>VITE  | RACC. TUYAUTERIE REFRIG. GAS<br>JOINT<br>VIS  | GAS KALTEMITTEL LEITUNGSANSCHLUSS<br>DICHTUNG<br>SCHRAUBE   |
| 19      | 400085.01   | 400085.02   |  | LIQUID REFRIG. LINE<br>CONNECTION  | RACCORDO TUBAZ.<br>REFRIG. LIQUIDO  | RACCORD TUYAUTERIE<br>REFRIG. LIQUIDE   | FLUSSIGE KALTEMITTEL<br>LEITUNG ANSCHLUSS   |
|         |   |   |  | * Up to MAR 1 S.N. 2358<br>Up to MAR 2 S.N. 2386<br>Up to MAR 3 S.N. 2103  | * Fino al MAR 1 N.S. 2058<br>Fino al MAR 2 N.S. 2086<br>Fino al MAR 3 N.S. 2103   | * Jusqu'à MAR 1 N.S. 2058<br>Jusqu'à MAR 2 N.S. 2086<br>Jusqu'à MAR 3 N.S. 2103   | * Bis MAR 1 S.N. 2058<br>Bis MAR 2 S.N. 2086<br>Bis MAR 3 S.N. 2103   |



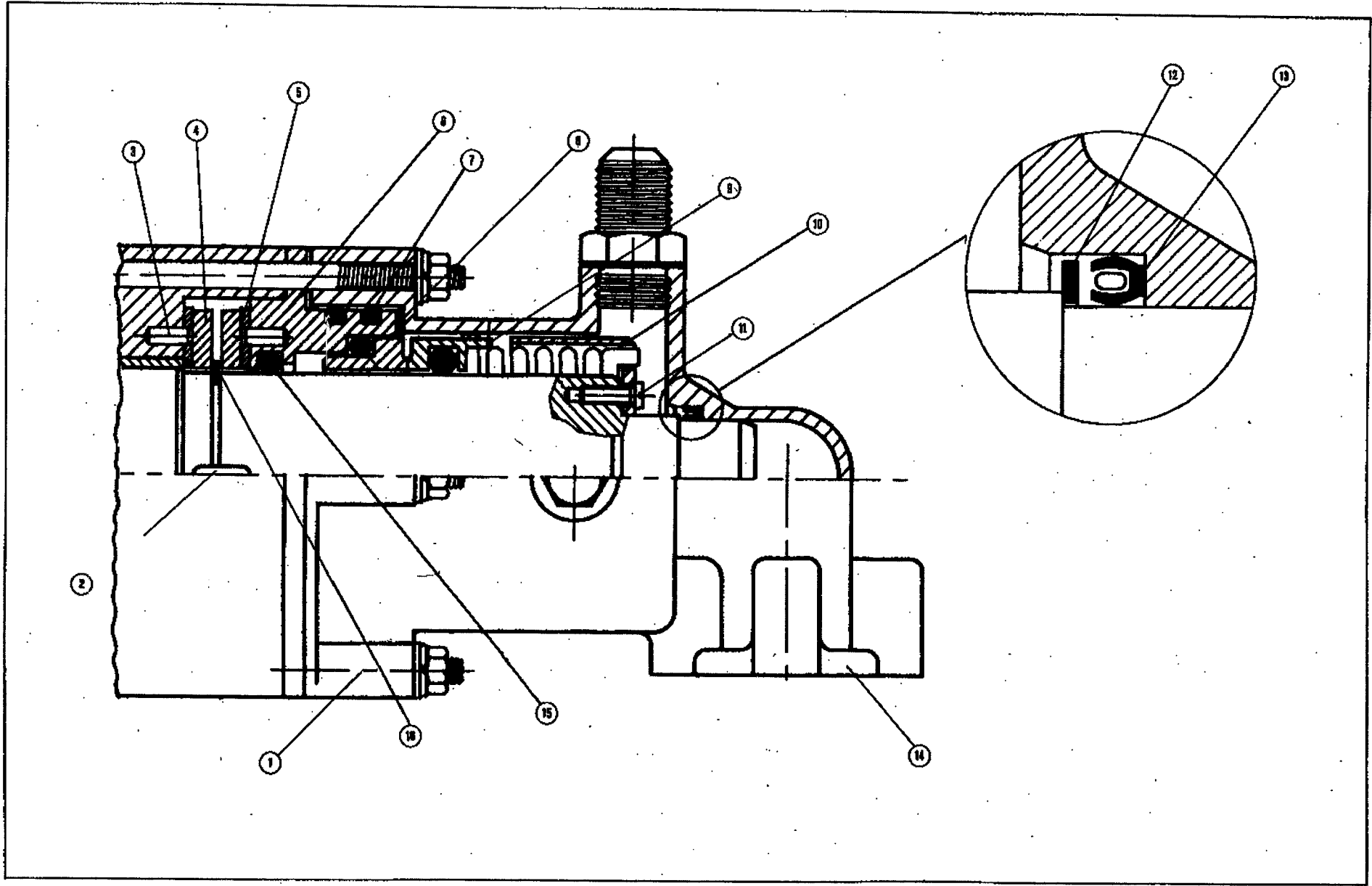
## MAR 1-2-3 SPLIT - REAR VIEW - VISTA LATO POST. - VUE COTÈ ARRIERE - RUECHENANSICH

| ITEM NO | PART NO   |   |  | DESCRIPTION  | DESCRIZIONE   | DESIGNATION   | BESCHREIBUNG  |
|---------|---|---|--|--|---|---|---|
|         | MAR 1   | MAR 2   | MAR 3  |  |   |   |   |
| 1       | 781376.01   | 781376.00   |  | WATER TRAY   | BACINELLA   | GOUELLE D'EAU   | TROPFFPFFANNE   |
| 2       | 723128.00*<br>723123.05                                       | 723131.00*<br>723123.04<br>420002.15                            |  | SCRAPING BLADE - SEA WATER<br>SCRAPING BLADE<br>BLADE MOUNTING SCREW   | ASS. LAMA - ACQUA DI MARE<br>ASS. LAMA<br>VITE DI FISSAGGIO   | ENS. COUTEAU - EAU DE MER<br>ENS. COUTEAU<br>VIS DE FIXATION  | EISRADIERUNGSLINGE - SEE WASSER<br>EISRADIERUNGSLINGE<br>SCHRAUBE   |
| 3       |   | 722104.10<br>420034.00<br>430001.02<br>441001.05                |  | PLATE<br>BLADE SETTING SUB<br>NUT<br>WASHER  | PIASTRINA<br>PRIGIONIERI REGOL. LAMA<br>DADO<br>RONDELLA  | PLAQUETTE<br>VIS DE REGLAGE COUTEAU<br>ECROU<br>RONDELLE  | PLATTE<br>KLUNGER REGUL. SCHRAUBE<br>MUTTER<br>SCHEIBE  |
| 4       | 741101.03   | 7411101.02<br>650595.00   |  | CHUTE<br>BUTTON FOR CHUTE  | SCIVOLO<br>BOTTONE PER SCIVOLO  | GLISSIERE<br>BOUTON FIX. GLISSIERE  | EISRUTSCHEN<br>RUTSCHENKNOPFCHEN  |
| 5       | 724278.00   | 724278.01   |  | DEFLECTOR  | DEFLETTORE  | DEFLECTEUR  | EISDEFLEKTOR  |
| 6       | 724292.00   | 724275.00   |  | SPOUT SWITCH BRACKET   | SUPPORTO MICROINTERRUTTORE  | SUPPORT MICRO GOULOTTE  | MICRO SCHALTER ANLAGE   |
| 7       | 724276.01   | 724276.00<br>724277.01<br>650161.01                             |  | SPOUT SWITCH PRESS. PLATE<br>PRESS. PLATE ROD<br>SPRING  | PIASTRINA PRESS. MICRO<br>ASTINA PIASTRINA PRESSIONE<br>MOLLA   | PLAQUETTE DE PRESS. MICRO<br>TIGE DE PLAQUETTE<br>RESSORT   | DRUCKPLATTE<br>DRUCK PLATTE ACHSE<br>FEDER  |
| 8       |   | 620386.00<br>420008.04<br>430001.04<br>441001.06                |  | MICRO-SWITCH<br>SCREW<br>NUT<br>WASHER   | MICROINTERRUTTORE<br>VITE<br>DADO<br>RONDELLA   | MICROINTERRUPTEUR<br>VIS<br>ECROU<br>RONDELLE   | MICROSCHALTER<br>SCHRAUBE<br>MUTTER<br>SCHEIBE  |
| 9       | 734597.04*<br>734597.12<br>741092.02                          | 734597.05*<br>734597.04<br>420025.02<br>741092.03               |  | GEAR REDUCER PULLEY<br>GEAR REDUCER PULLEY<br>SCREW<br>KEY   | PULEGGIA RIDUTTORE<br>PULEGGIA RIDUTTORE<br>VITE<br>CHIAVETTA   | POULIE REDUCTEUR<br>POULIE REDUCTEUR<br>VIS<br>CLAVETTE   | GETRIEBE ANTRIEBS-SCHEIBE<br>GETRIEBE ANTRIEBS-SCHEIBE<br>SCHRAUBE<br>SCHLUSSE  |
| 10      | 650422.05<br>650422.05<br>650422.05                           | 650422.05<br>650422.04<br>650422.16                             |  | DRIVE BELT - FRESH WATER<br>DRIVE BELT - SEA WATER<br>DRIVE BELT   | CINGHIA TRASMISS. - ACQUA DOLCE<br>CINGHIA TRASMISS. - ACQUA SALATA<br>CINGHIA TRASMISS.  | COURROIE - EAU DOUCE<br>COURROIE - EAU DE MER<br>COURROIE   | KIELRIEMEN - SÜSS WASSER<br>KIELRIEMEN SEE WASSER<br>KIELRIEMEN   |
| 11      | 620377.00<br>620377.02  | 620377.01<br>620377.03  |  | GEAR REDUCER<br>GEAR REDUCER   | RIDUTTORE<br>RIDUTTORE  | REDUCTEUR<br>REDUCTEUR  | GETRIEBE<br>GETRIEBE  |
| 12      | 620326.05<br>620326.05<br>620326.05<br>620326.05<br>001010.01 | 620326.07*<br>620326.06*<br>620326.09<br>620326.07<br>001010.02 | 620326.06*<br>620326.06<br>620326.07<br>620326.06<br>001010.02 | EXPANSION VALVE - FRESH WATER<br>EXPANSION VALVE - SEA WATER<br>EXPANSION VALVE - FRESH WATER<br>EXPANSION VALVE - SEA WATER<br>EXPANSION VALVE NOZZLE | VALV. DI ESPANSIONE - ACQUA DOLCE<br>VALV. DI ESPANSIONE - ACQUA DI MARE<br>VALV. DI ESPANSIONE - ACQUA DOLCE<br>VALV. DI ESPANSIONE - ACQUA DI MARE<br>UGELLO VALVOLA ESPANSIONE | DETENDEUR - EAU DOUCE<br>DETENDEUR - EAU DE MER<br>DETENDEUR - EAU DOUCE<br>DETENDEUR - EAU DE MER<br>GICLEUR - DETENDEUR | EXPANSION VENTIL - SÜSS WASSER<br>EXPANSION VENTIL - SEE WASSER<br>EXPANSION VENTIL - SÜSS WASSER<br>EXPANSION VENTIL - SEE WASSER<br>EXP. VENTILSDUESE |
|         |   |   |  | * Up to MAR 1 S.N. 2058<br>Up to MAR 2 S.N. 2086<br>Up to MAR 3 S.N. 2103  | * Fino al MAR 1 N.S. 2058<br>Fino al MAR 2 N.S. 2086<br>Fino al MAR 3 N.S. 2103   | * Jusqu'à MAR 1 N.S. 2058<br>Jusqu'à MAR 2 N.S. 2086<br>Jusqu'à MAR 3 N.S. 2103   | * Bis MAR 1 S.N. 2058<br>Bis MAR 2 S.N. 2086<br>Bis MAR 3 S.N. 2103   |



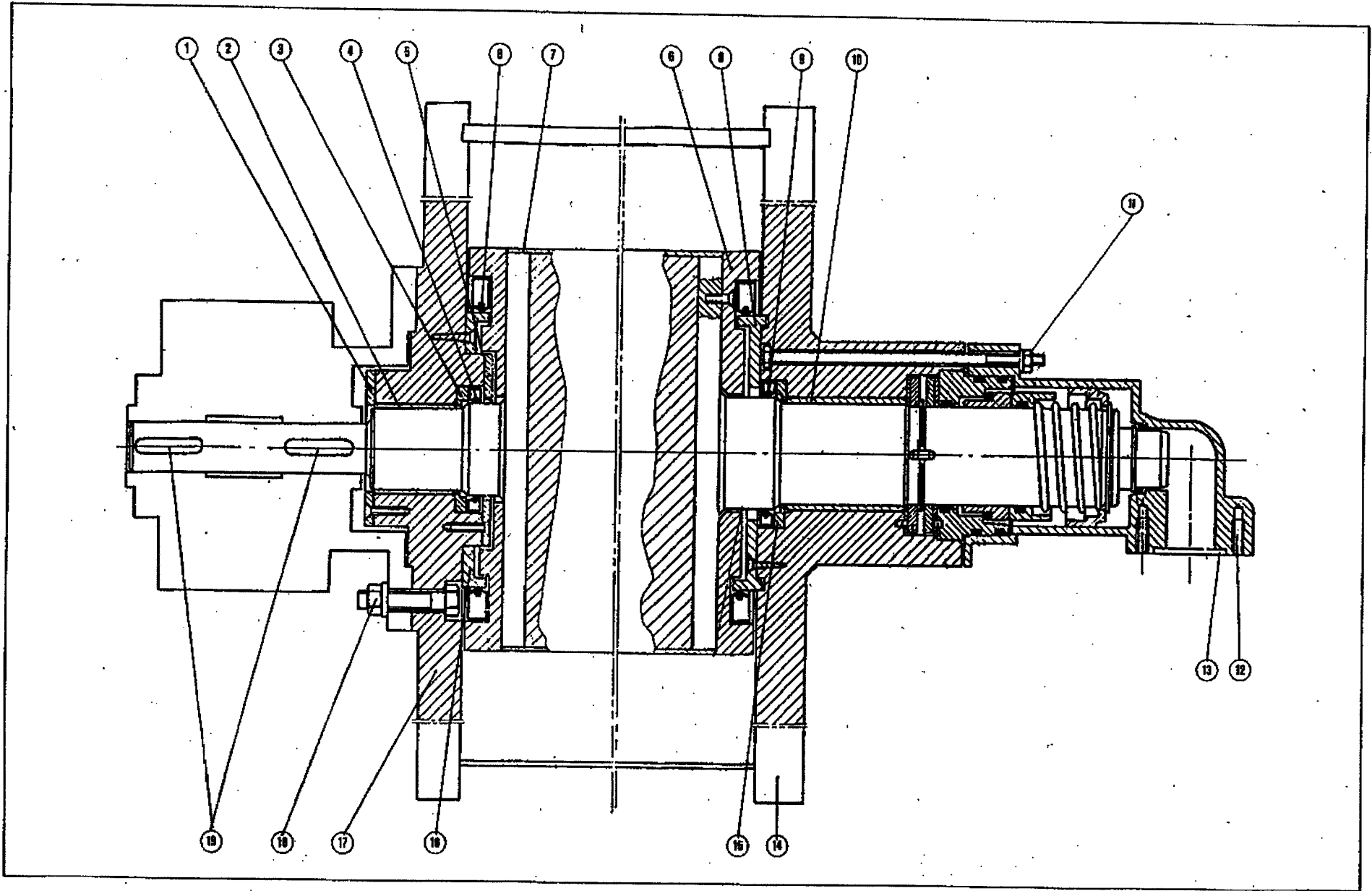
MAR 1\*-2\*-3\* SPLIT - EVAPORATOR N GEAR REDUCER ASSY - ASSIEME EVAPORATORE/RIDUTTORE - ENS. EVAPORATEUR ET REDUCTEUR - VERDAMPFER UND GETRIEBE EINHEIT

| ITEM NO | PART NO                             |                        | DESCRIPTION  | DESCRIZIONE   | DÉSIGNATION  | BESCHREIBUNG  |
|---------|-------------------------------------|------------------------|--|---|--|---|
|         | MAR 1                               | MAR 2 - MAR 3          |  |   |  |   |
| 1       | 794271.00                           | 794274.00              | EVAP. N GEAR REDUCER ASSY  | ASS. EVAP. E RIDUTTORE  | ENS. EVAP. ET REDUCTEUR  | VERDAMPFER UND GETRIEBE EINHEIT                                     |
| 2       | 741101.03                           | 741101.04              | PLEXIGLASS CHUTE   | SCIVOLO IN PLASTICA   | GLISSIERE  | EISRUTSCHEN   |
| 3       | 650595.00                           |                        | PLASTIC BUTTON   | BOTTONE IN PLASTICA   | BOUTON FIX GLISSIERE   | RUTSCHENKNOPFCHEN   |
| 4       | 640041.18                           |                        | O RING   | GUARNIZIONE OR  | JOINT TORIQUE  | O RING  |
| 5       | 742111.00                           | 742111.01              | SPACER RIGHT   | DISTANZIERE DX  | ENTRETOISE   | ENTFERNSTUECK   |
| 6       | 620377.02                           | 620377.03              | GEAR REDUCER   | RIDUTTORE   | REDUCTEUR  | GETRIEBE  |
| 7       | 741092.02                           | 741092.03              | FIBER KEY  | CHIAVETTA IN FIBRA  | CLAVETTE   | ENTRIEBS KELL   |
| 8       | 734597.12<br>420025.02              | 734597.04<br>420025.02 | PULLEY<br>SCREW  | PULEGGIA<br>VITE/GRANO  | POULIE<br>VIS  | RIEMEN<br>SCHRAUBE  |
| 9       | 793113.25                           |                        | WATER PUMP   | ASS. POMPA  | ENS. POMPE A EAU   | WASSER PUMPEN   |
| 10      | 781392.00                           |                        | PUMP GUARD   | CARTER POMPA  | SUPPORT DU POMPE   | PUMPENTRAGER  |
| 11      | 610169.05                           | 610169.06              | PLASTIC TUBE   | TUBO  | TUYAU  | ROHR  |
| 12      | 784359.00                           | 784359.01              | WATER DISTRIB. TUBE  | TUBO DI DISTRIBUZIONE   | ROMPE A EAU  | WASSERVERSORGUNGSRÖHR   |
| 13      | 783127.00                           | 783161.00              | FLOAT VALVE  | ASS. GALLEGGIANTE   | ENS. FLOTTEUR  | SCHWIMMER   |
| 14      | 743128.02<br>460038.02<br>640100.00 |                        | FLOAT VALVE BRACKET<br>METAL CLIP<br>O RING                            | SUPPORTO GALLEGGIANTE<br>MOLLETTA IN METALLO<br>GUARNIZIONE OR      | SUPPORT FLOTTEUR<br>CLIP METALLIQUE<br>JOINT TORIQUE             | SCHWIMMERTRÄGER<br>KLEMME<br>O RING                                 |
| 15      | 742112.00                           | 742112.01              | FLANGE   | FLANGIA   | FLASQUE  | FLANSCH   |
| 16      | 640107.00                           | 640107.01              | GASKET   | GUARNIZIONE   | JOINT  | DICHTUNG  |
| 17      | 742110.00<br>650615.00              | 742110.01              | EVAP. SPACER<br>EVAP. INSULATION                                       | DISTANZIERE EVAP.<br>ISOLAMENTO EVAP.                               | ENTRETOISE<br>ISOLATION  | ENTFERNSTUECK<br>ISOLIERUNG (VERDAMPFER)                            |
| 18      | 640041.18                           | 640041.18              | O RING   | GUARNIZIONE OR  | JOINT TORIQUE  | O RING  |
| 19      | 723123.05                           | 723123.04              | SCRAPING BLADE   | LAMA SCAGLIATRICE   | ENS. COUTEAU   | EISRADIERUNGKLINGE  |
|         |                                     |                        | * MAR 1 from S.N. 2059<br>MAR 2 from S.N. 2087<br>MAR 3 from S.N. 2103 | * MAR 1 dal N.S. 2059<br>MAR 2 dal N.S. 2087<br>MAR 3 dal N.S. 2103 | * MAR 1 de N.S. 2059<br>MAR 2 de N.S. 2087<br>MAR 3 de N.S. 2103 | * MAR 1 vom S.N. 2059<br>MAR 2 vom S.N. 2087<br>MAR 3 vom S.N. 2103 |



**MAR 1\*-2\*-3\* SPLIT - SEAL MECHANISM ASSY - ASSIEME ANELLO DI TENUTA - ENSAMBLE D'ETANCHEITE - GEFRIERMITTEL DICHTUNG**

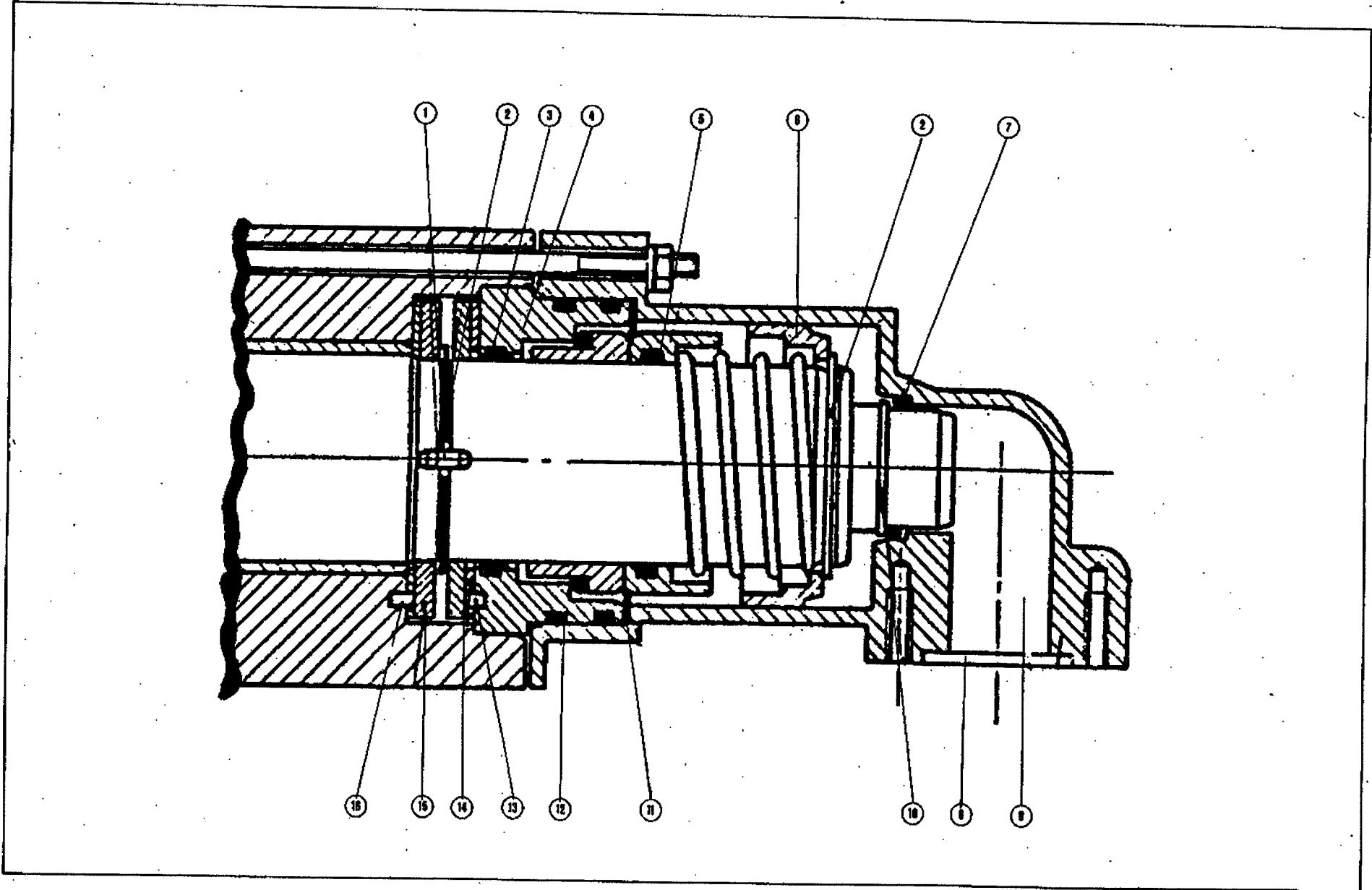
| ITEM NO | PART NO |                        |       | DESCRIPTION  | DESCRIZIONE   | DÉSIGNATION  | BESCHREIBUNG  |
|---------|---------|------------------------|-------|--|---|--|---|
|         | MAR 1   | MAR 2                  | MAR 3 |  |   |  |   |
| 1       |         | 743127.01              |       | REFRIGERANT MANIFOLD   | COLLETTORE REFRIGERANTE   | COLLECTEUR REFRIGERANT   | EINSAMMLER  |
| 2       |         | 724260.00              |       | KEY  | CHIAVETTA   | CLAVETTE   | ANTRIEBESCHLUESSE   |
| 3       |         | 723133.00              |       | PARALLEL PIN   | SPINA CILINDRICA  | GOUPILLE CYLINDRIQUE   | STIFT   |
| 4       |         | 724257.00              |       | SPACER   | DISTANZIERE   | ENTRETOISE   | ENTFERNSTUECK   |
| 5       |         | 651061.00              |       | WASHER   | RONDELLA DI BASAMENTO   | RONDELLE   | SCHEIBE   |
| 6       |         | 724307.00<br>460039.03 |       | GRAPHITIC RING HOUSING<br>PARALLEL-PIN                                 | ANELLO DI ALLOGGIAMENTO<br>SPINA ELASTICA                           | ANNEAU LOGEMENT<br>GOUPILLE CYLINDRIQUE                          | RUNG FUER GRAPHITIC DICHT.<br>STIFT                                 |
| 7       |         | 640041.10              |       | O RING   | GUARNIZIONE OR  | JOINT TORIQUE  | O RING  |
| 8       |         | 640101.00              |       | GASKET   | GUARNIZIONE   | JOINT  | DICHTUNG  |
| 9       |         | 650525.01              |       | SEAL MECHANISM   | PREMISTOPPA   | PRESSE ETOUPE  | DICHTUNG  |
| 10      |         | 724308.00              |       | SPACER RING  | ANELLO DISTANZIERE  | BAGUE ENTRETOISE   | ENTFERNENSTUECK   |
| 11      |         | 420014.08              |       | SCREW  | VITE  | VIS  | SCHRAUBE  |
| 12      |         | 724256.01              |       | WASHER   | RONDELLA  | RONDELLE   | SCHEIBE   |
| 13      |         | 640096.00              |       | GASKET   | GUARNIZIONE   | JOINT  | DICHTUNG  |
| 14      |         | 640076.09              |       | GASKET   | GUARNIZIONE   | JOINT  | DICHTUNG  |
| 15      |         | 640041.13              |       | O RING   | GUARNIZIONE OR  | JOINT TORIQUE  | O RING  |
| 16      |         | 460000.02              |       | CLIP RING  | ANELLO SEEGER   | CLIP   | CIRCLIP RING  |
| *       |         | 001026.05              |       | SEAL MECHANISM KIT   | KIT TENUTA MECCANICA  | KIT GARNITURE D'ETANCHEITE                                       | KIT GEFRIERMITTEL DICHTUNG  |
|         |         |                        |       | * MAR 1 from S.N. 2059<br>MAR 2 from S.N. 2087<br>MAR 3 from S.N. 2103 | * MAR 1 dal N.S. 2059<br>MAR 2 dal N.S. 2087<br>MAR 3 dal N.S. 2103 | * MAR 1 de N.S. 2059<br>MAR 2 de N.S. 2087<br>MAR 3 de N.S. 2103 | * MAR 1 vom S.N. 2059<br>MAR 2 vom S.N. 2087<br>MAR 3 vom S.N. 2103 |





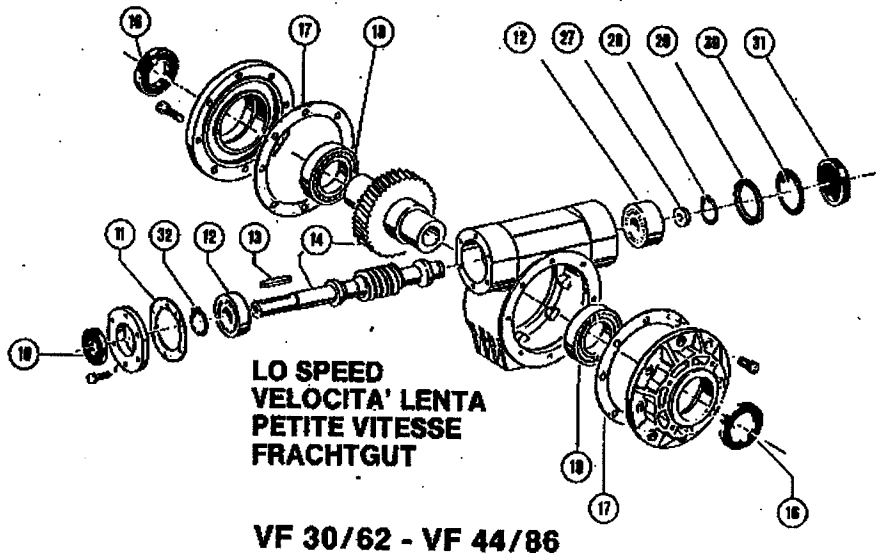
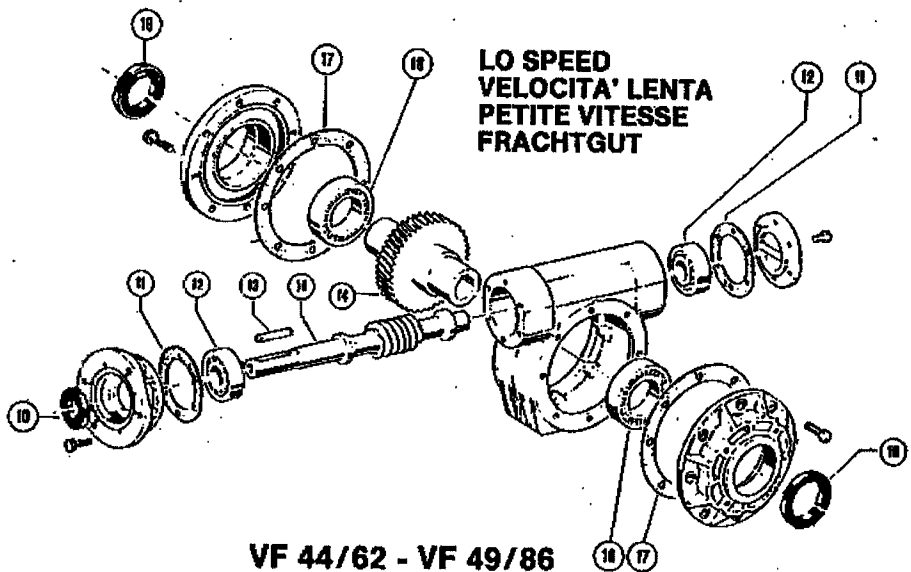
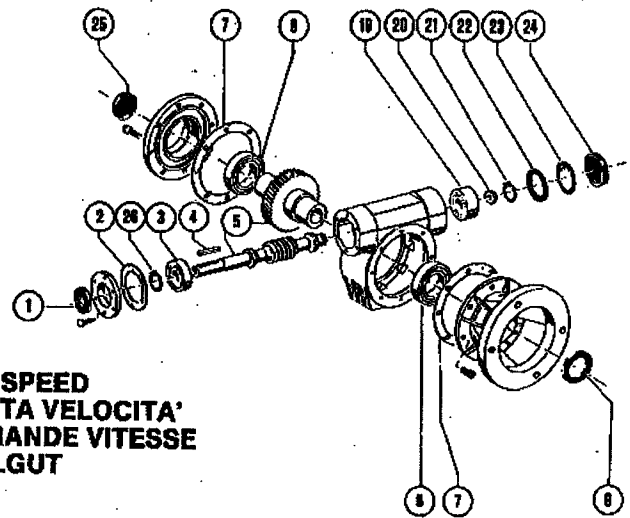
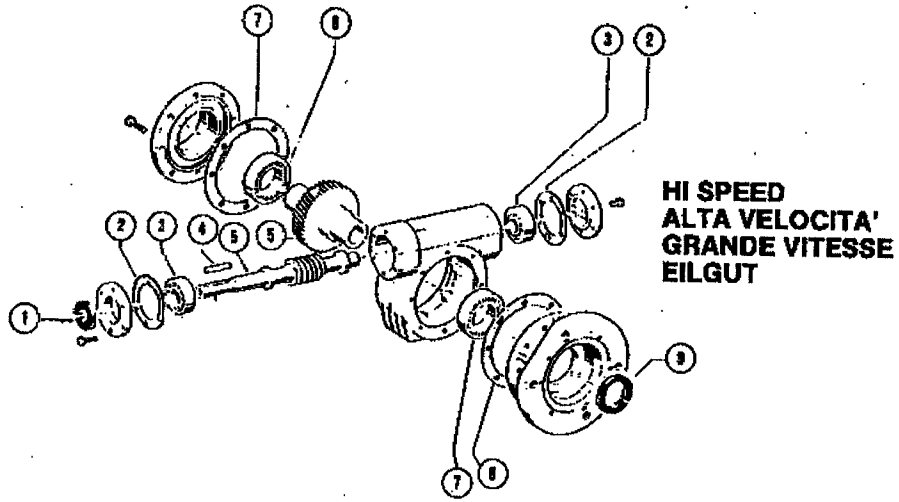
MAR 1\*-2\*-3\* SPLIT - EVAPORATOR ASSY - ASSIEME EVAPORATORE - ENS. EVAPORATEUR - KOMPLET VERDAMPFER

| ITEM NO. | PART NO   |                        |       | DESCRIPTION   | DESCRIZIONE  | DÉSIGNATION  | BESCHREIBUNG  |
|----------|-----------|------------------------|-------|---|--|--|---|
|          | MAR 1     | MAR 2                  | MAR 3 |   |  |  |   |
| 1        | 724254.01 | 724254.02              |       | FLANGE  | FLANGIA  | FLASQUE  | FLANSCH   |
| 2        | 651060.00 | 651060.01              |       | BUSHING   | BRONZINA   | BAGUE  | SHAFT LAGER   |
| 3        | 724255.01 | 724255.00              |       | SPACER  | DISTANZIERE  | ENTRETOISE   | ENTFERNSTUECK   |
| 4        | 640097.03 | 640097.04              |       | RING GASKET W/SPRING  | GUARNIZIONE CON MOLLA  | JOINT PAULSTRA   | DICHTUNG RING & FEDER   |
| 5        | 724254.04 | 724254.03              |       | FLANGE - GEAR SIDE  | FLANGIA - LATO RIDUTTORE   | FLASQUE - COTÉ REDUCTEUR   | FLANSCH RECHTENSEITE  |
| 6        | 640097.05 | 640097.06              |       | RING GASKET W/SPRING  | GUARNIZIONE CON MOLLA  | JOINT PAULSTRA   | DICHTUNG RING & FEDER   |
| 7        | 784353.00 | 784353.01              |       | EVAPORATORE DRUM ASSY   | ASSIEME TAMBURO EVAPORATORE  | ENS. TAMBOUR EVAPORATEUR   | KOMPLETT VERDAMPFER 2YL   |
| 8        | 724253.00 | 724266.00              |       | FLANGE - REFRIG. SIDE   | FLANGIA - LATO REFRIGERANTE  | FLASQUE - COTÉ REFRIGER.   | FLANSCH - LINKENSEITE   |
| 9        |           | 640097.04              |       | RING GASKET W/SPRING  | GUARNIZIONE CON MOLLA  | JOINT PAULSTRA   | DICHTUNG RING & FEDER   |
| 10       |           | 651060.01              |       | BUSHING   | BRONZINA   | BAGUE  | SHAFT LAGER   |
| 11       |           | 430001.02<br>440015.05 |       | NUT<br>WASHER   | DADO<br>RONDELLA   | ECROU<br>RONDELLE  | MUTTER<br>SCHEIBE   |
| 12       |           | 420285.00<br>650521.00 |       | ALLEN SCREW<br>MANIFOLD FITTING   | VITE TESTA INCASS.<br>RACCORDO COLLETT.  | VIS ALLEN<br>RACCORD COLLECT.  | ALLEN SCHRAUBE<br>EINSAMMLER ANSCHLUSS  |
| 13       |           | 640076.09              |       | GASKET  | GUARNIZIONE  | JOINT  | DICHTUNG  |
| 14       | 742097.00 | 742094.00              |       | BASIN SIDE - REFRIGERANT SIDE   | FIANCO VASCA - LATO REFRIGERANTE   | COTÉ REFRIGERANT DE CUVE   | LINKE WASSERBAD SEITE   |
| 15       |           | 724255.00              |       | SPACER  | DISTANZIERE  | ENTRETOISE   | ENTFERNSTUECK   |
| 16       | 724253.01 | 724266.01              |       | FLANGE - GEAR SIDE  | FLANGIA - LATO RIDUTTORE   | FLASQUE - COTÉ REDUCTEUR   | FLANSCH RECHTENSEITE  |
| 17       | 742098.00 | 742095.00              |       | BASIN SIDE - GEAR SIDE  | FIANCO VASCA - LATO RIDUTTORE  | COTÉ REDUCTEUR DE CUVE   | RECHTEN WASSERBAD SEITE   |
| 18       |           | 430001.05<br>441001.04 |       | NUT<br>WASHER   | DADO<br>RONDELLA   | ECROU<br>RONDELLE  | MUTTER<br>SCHEIBE   |
| 19       | 741092.02 | 741092.00              |       | FIBER KEY   | CHIAVETTA  | CLAVETTE   | ENTRIEBS KEIL   |
|          |           |                        |       | * MAR 1 from S.N. 2001 to S.N. 2058<br>MAR 2 from S.N. 2001 to S.N. 2086<br>MAR 3 from S.N. 2001 to S.N. 2102 | * MAR 1 dal N.S. 2001 al N.S. 2058<br>MAR 2 dal N.S. 2001 al N.S. 2086<br>MAR 3 dal N.S. 2001 al N.S. 2102 | * MAR 1 de N.S. 2001 a N.S. 2058<br>MAR 2 de N.S. 2001 a N.S. 2086<br>MAR 3 de N.S. 2001 a N.S. 2102 | * MAR 1 vom S.N. 2001 bis S.N. 2058<br>MAR 2 vom S.N. 2001 bis S.N. 2086<br>MAR 3 vom S.N. 2001 bis S.N. 2102 |



**MAR 1\*-2\*-3\*SPLIT - SEAL MECHANISM ASSY - ASSIEME ANELLO DI TENUTA - ENSEMBLE GARNITURE D'ETANCHEITE - GEFRIERMITTEL DICHTUNG**

| ITEM NO. | PART NO |           |       | DESCRIPTION   | DESCRIZIONE  | DESIGNATION  | BESCHREIBUNG  |
|----------|---------|-----------|-------|---|--|--|---|
|          | MAR 1   | MAR 2     | MAR 3 |   |  |  |   |
| 1        |         | 724260.00 |       | KEY   | CHIAVETTA  | CLAVETTE   | ANTRIEBESCHLUESSE   |
| 2        |         | 460000.02 |       | CLIP RING   | ANELLO SEEGER  | CLIP   | CLIP RING   |
| 3        |         | 640041.13 |       | O RING  | GUARNIZIONE OR   | JOINT TORIQUE  | O RING  |
| 4        |         | 724261.00 |       | SPACER  | DISTANZIERE  | ENTRETOISE   | ENTFERNSTUECK   |
| 5        |         | 650525.00 |       | SEAL MECHANISM  | PREMISTOPPA  | PRESSE ETOUPE  | DICHTUNG  |
| 6        |         | 723118.00 |       | RING FOR SEAL MECHANISM   | ANELLO PER PREMISTOPPA   | ANNEAU POUR PRESSE ETOUPE  | DICHTUNGRING  |
| 7        |         | 640096.00 |       | RING GASKET W/SPRING  | GUARNIZIONE CON MOLLA  | JOINT PAULSTRA   | DICHTUNGRING & FEDER  |
| 8        |         | 743127.01 |       | REFRIGERANT MANIFOLD  | COLLETTORE REFRIGERANTE  | COLLECTEUR REFRIGERANT   | EINSAMMLER  |
| 9        |         | 640076.09 |       | GASKET  | GUARNIZIONE  | JOINT  | DICHTUNG  |
| 10       |         | 724256.00 |       | WASHER  | RONDELLA   | RONDELLE   | SCHEIBE   |
| 11       |         | 640101.00 |       | GASKET  | GUARNIZIONE  | JOINT  | DICHTUNG  |
| 12       |         | 640041.10 |       | O RING  | GUARNIZIONE OR   | JOINT TORIQUE  | O RING  |
| 13       |         | 460039.03 |       | SPRING PIN  | SPINA ELASTICA   | GOUPILLE ELASTIQUE   | ELASTISCHERSTIFT  |
| 14       |         | 651081.00 |       | WASHER  | RALLA  | RONDELLE   | SCHEIBE   |
| 15       |         | 724257.00 |       | SPACER  | DISTANZIERE  | ENTRETOISE   | ENTFERNSTUECK   |
| 16       |         | 723133.00 |       | PARALLEL PIN  | SPINA CILINDRICA   | GOUPILLE CYLINDRIQUE   | STIFT   |
| *        |         | 001026.03 |       | KIT SEAL MECHANISM  | KIT ANELLO DI TENUTA   | KIT GARNITURE D'ETANCHEITE   | KIT GEFRIERMITTEL DICHTUNG  |
|          |         |           |       | * MAR 1 from S.N. 2001 to S.N. 2058<br>MAR 2 from S.N. 2001 to S.N. 2086<br>MAR 3 from S.N. 2001 to S.N. 2102 | * MAR 1 dal N.S. 2001 al N.S. 2058<br>MAR 2 dal N.S. 2001 al N.S. 2086<br>MAR 3 dal N.S. 2001 al N.S. 2102 | * MAR 1 de N.S. 2001 a N.S. 2058<br>MAR 2 de N.S. 2001 a N.S. 2086<br>MAR 3 de N.S. 2001 a N.S. 2102 | * MAR 1 vom S.N. 2001 bis S.N. 2058<br>MAR 2 vom S.N. 2001 bis S.N. 2086<br>MAR 3 vom S.N. 2001 bis S.N. 2102 |



## MAR 1-2-3 SPLIT - GEAR REDUCER - RIDUTTORE - RÉDUCTEUR - GETRIEBE

| ITEM NO | PART NO           |                   |                           |                   | DESCRIPTION       | DESCRIZIONE                   | DÉSIGNATION              | BESCHREIBUNG        |
|---------|-------------------|-------------------|---------------------------|-------------------|-------------------|-------------------------------|--------------------------|---------------------|
|         | MAR 1<br>VF 44/82 | MAR 1<br>VF 30/82 | MAR 2 - MAR 3<br>VF 49/86 | MAR 3<br>VF 44/86 |                   |                               |                          |                     |
| 1       | 001031.10         | 001035.10         | 001033.10                 | 001031.21         | OIL SEAL          | PARAOLIO                      | JOINT D'ÉTANCHÉITÉ       | SIMMERUNG           |
| 2       | 001031.07         | —                 | 001033.07                 | —                 | GASKET            | GUARNIZIONE                   | JOINT                    | DICHTUNG            |
| 3       | 001031.08         | 001035.08         | 001033.08                 | 001038.08         | BEARING           | CUSCINETTO                    | ROULEMENT                | KUGELLAGER          |
| 4       | 001031.12         | 001035.12         | 001033.12                 | 001031.12         | KEY               | CHIAVETTA                     | CLAVETTE                 | EINLEGEKEIT         |
| 5       | 001031.02         | 001035.02         | 001033.02                 | 001031.23         | WORMSHAFT & WHEEL | VITE SENZA FINE E INGRANAGGIO | VIS SANS FIN & ENGRANAGE | SCHNECKE U. ZAHNRAD |
| 7       | 001031.11         | 001035.11         | 001033.11                 | 001031.11         | GASKET            | GUARNIZIONE                   | JOINT                    | DICHTUNG            |
| 8       | 001031.06         | 001035.06         | 001033.06                 | 001033.06         | BEARING           | CUSCINETTO                    | ROULEMENT                | KUGELLAGER          |
| 9       | 001031.09         | 001035.09         | 001029.11                 | 001031.09         | OIL SEAL          | PARAOLIO                      | JOINT D'ÉTANCHÉITÉ       | SIMMERRING          |
| 10      | 001029.10         | 001029.21         | 001032.10                 | 001032.10         | OIL SEAL          | PARAOLIO                      | JOINT D'ÉTANCHÉITÉ       | SIMMEREING          |
| 11      | 001029.07         | 001029.07         | 001032.07                 | 001032.07         | GASKET            | GUARNIZIONE                   | JOINT                    | DICHTUNG            |
| 12      | 001029.08         | 001029.13         | 001032.08                 | 001032.08         | BEARING           | CUSCINETTO                    | ROULEMENT                | KUGELLAGER          |
| 13      | 001029.12         | 001029.12         | 001032.12                 | 001032.12         | KEY               | CHIAVETTA                     | CLAVETTE                 | EINLAGEKEIT         |
| 14      | 001029.02         | 001029.23         | 001032.02                 | 001032.23         | WORMSHAFT & WHEEL | VITE SENZA FINE E INGRANAGGIO | VIS SANS FIN & ENGRANAGE | SCHNECKE U. ZAHNRAD |
| 16      | 001029.11         | 001029.11         | 001032.11                 | 001032.11         | OIL SEAL          | PARAOLIO                      | JOINT D'ÉTANCHÉITÉ       | SIMMERRING          |
| 17      | 001029.06         | 001029.06         | 001032.06                 | 001032.06         | GASKET            | GUARNIZIONE                   | JOINT                    | DICHTUNG            |
| 18      | 001029.09         | 001029.09         | 001032.09                 | 001032.09         | BEARING           | CUSCINETTO                    | ROULEMENT                | KUGELLAGER          |
| 19      | 001031.08         | 001035.08         | 001033.08                 | 001031.13         | BEARING           | CUSCINETTO                    | ROULEMENT                | KUGELLAGER          |
| 20      | —                 | 001035.14         | —                         | 001031.14         | SPACER            | RALLA                         | ENTRETOISE               | LAGERSCHALE         |
| 21      | —                 | 001035.15         | —                         | 001031.15         | CIRCLIP           | SEEGER                        | CIRCLIP                  | SEEGER              |
| 22      | —                 | 001035.16         | —                         | 001031.16         | SPACER            | RALLA                         | ENTRETOISE               | LAGERSCHALE         |
| 23      | —                 | 001035.17         | —                         | 001031.17         | CIRCLIP           | SEEGER                        | CIRCLIP                  | SEEGER              |
| 24      | —                 | 001035.18         | —                         | 001031.18         | RUBBER CAP        | CAPPELOTTO IN GOMMA           | CAPOUCHON EN CAOUTCHOUC  | GUMMIDECKEL         |
| 25      | —                 | 001035.19         | —                         | 001031.19         | RUBBER CAP        | CAPPELOTTO IN GOMMA           | CAPOUCHON EN CAOUTCHOUC  | GUMMIDECKEL         |
| 26      | —                 | 001035.20         | —                         | 001031.20         | CIRCLIP           | SEEGER                        | CIRCLIP                  | SEEGER              |
| 27      | —                 | 001029.14         | —                         | 001032.14         | SPACER            | RALLA                         | ENTRETOISE               | LAGERSCHALE         |
| 28      | —                 | 001029.15         | —                         | 001032.15         | CIRCLIP           | SEEGER                        | CIRCLIP                  | SEEGER              |
| 29      | —                 | 001029.16         | —                         | 001032.16         | SPACER            | RALLA                         | ENTRETOISE               | LAGERSCHALE         |
| 30      | —                 | 001029.17         | —                         | 001032.17         | CIRCLIP           | SEEGER                        | CIRCLIP                  | SEEGER              |
| 31      | —                 | 001029.18         | —                         | 001032.18         | RUBBER CAP        | CAPPELOTTO IN GOMMA           | CAPOUCHON EN CAOUTCHOUC  | GUMMIDECKEL         |
| 32      | —                 | 001029.20         | —                         | 001032.20         | CIRCLIP           | SEEGER                        | CIRCLIP                  | SEEGER              |