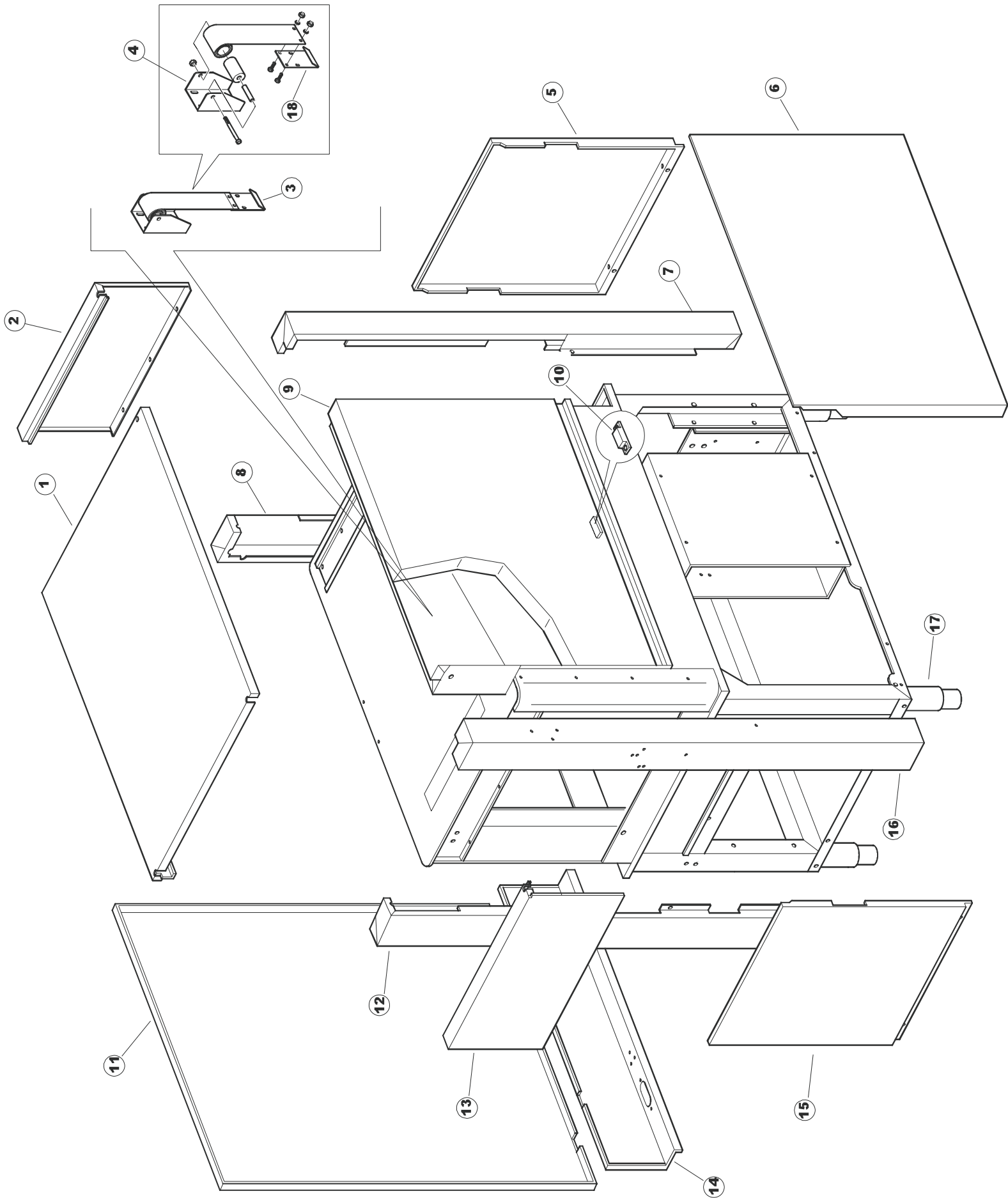


**M B M**

**SPARE PARTS CATALOGUE  
ERSATZTEILKATALOG  
CATALOGUE PIECES DETACHEES  
CATALOGO PARTI RICAMBIO  
CATALOGO DE PIEZAS DE RECAMBIO  
CATALOGO PEÇAS DE REPOSICAO**

**Domina  
LTD 209**

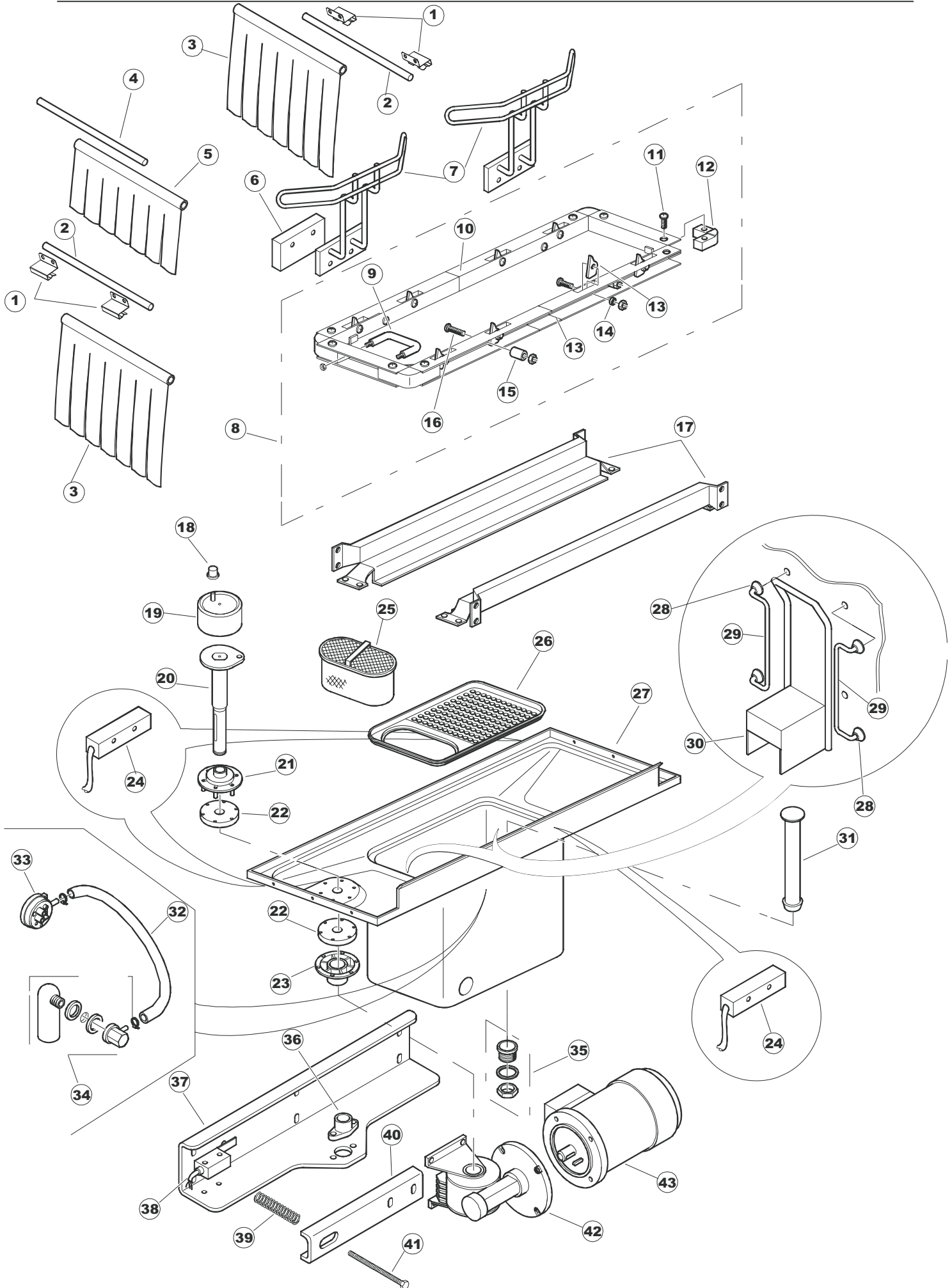
**22-07-2009**



# Pagina 1

|    |        |  |  |
|----|--------|--|--|
| 1  | 75050  | PANNELLO SUP EST. TRAINO PG FINITO<br>PANEL, UPPER OUT. FOR RACK CONV.PG FINISHED<br>PLATTE, OB. AUSS. FÜR KORBTR.PG MASCHINENFERTIG<br>PANNEAU SUP EXT. AVANC. PG FINI<br>PANEL SUP EXT. ACCION. PG ACAB. |  |
| 2  | 75035  | FACCIATINA ESTERNA SUP. PIEGATO FINITO<br><br>FACHADA EXTERNA SUP PG ACAB.   |  |
| 3  | 75271  | KIT MOLLE SPORTELO GOLD80/RIVER150<br>KIT DOOR SPRINGS GOLD80/RIVER150<br>KIT TÜRFEDER GOLD80/RIVER150<br>KIT RESSORTS VOLET GOLD80/RIVER150<br>KIT MUELLES PUERTA GOLD80/RIVER150                         |  |
| 4  | 75225  | SCATOLA SUPPORTO MOLLE SPORT. PG FINITO<br><br>CAJA SOPORTE MUELLE PUERTA PG ACAB.   |  |
| 5  | 75053  | PANNELLO LATERIALE TRAINO PG FINITO<br>SIDE PANEL<br>SEITENPANEEL<br>PANNEAU LATERAL<br>PANEL LAT TRAINO PG ACAB.  |  |
| 6  | 75052  | PANNELLO ANT. TRAINO (COMPLETO) NEUTRO<br>FRONT PANEL<br>VORDER-PANEEL<br>PANNEAU AVANT<br>PANEL DELANT.TRAINO (COMPLETO) NEUTRO   |  |
| 7  | 75039  | PANNELLO ANG ANT DX PG FINITO  |  |
| 8  | 75040  | PANNELLO ANGOLARE POSTERIORE DESTRO PIEGATO FINITO<br>BACK ANGLE RIGHT PANEL<br><br>PANEL ANG TRASERO DCHO. PG ACABADO   |  |
| 9  | 75082  | SPORTELO TRAINO COMPLETO<br>COMPLETE DOOR<br>KOMPLETTE TUER<br>PORTE COMPLETE<br>PUERTA ACCION. COMPLETA   |  |
| 10 | 926014 | MAGNETE 8x16x40 + CUST.xDEM201<br>MAGNET 8x16x40 + CUST.xDEM201<br>MAGNET 8x16x40 + CUST.xDEM201<br>AIMANT 8x16x40 + CUST.xDEM201<br>IMAN 8x16x40 + CUST. xDEM201  |  |
| 11 | 75244  | PANNELLO POSTER.SUP. TRAINO PG FINITO<br>BACK PANEL<br>RUECKWAND<br>PANNEAU POSTERIEUR<br>PANEL TRASERO SUP. ACCION. PG ACABADO  |  |
| 12 | 75041  | PANNELLO ANG POST. SX PG FINITO<br>BACK PANEL<br>RUECKWAND<br>PANNEAU ANGLE POSTERIEUR<br>PANEL ANG TRASERO IZQDO. PG ACAB.  |  |
| 13 | 75035  | FACCIATINA ESTERNA SUP. PIEGATO FINITO<br><br>FACHADA EXTERNA SUP PG ACAB.   |  |
| 14 | 75043  | SOST=75080+75244   |  |
| 15 | 75053  | PANNELLO LATERIALE TRAINO PG FINITO<br>SIDE PANEL<br>SEITENPANEEL<br>PANNEAU LATERAL<br>PANEL LAT TRAINO PG ACAB.  |  |

|    |        |   |  |
|----|--------|---|--|
| 16 | 75038  | PANNELLO ANGOLARE ANTERIORE SINISTRO PIEGATO FINITO<br>CORNER FRONT PANEL<br>RUECKWAND<br>PANNEAU ANGLE ANTERIEUR<br>PANEL ANG DELANT. IZQDO. PG ACAB.              |  |
| 17 | 926117 | PIEDE REGOLABILE X CAPOTT.3LINEA<br>FOOT, ADJUST. X CAPOTT.3LINE<br>VERSTELLFUSS X HAUB.3LEIT.<br>PIED REGLABLE POUR CAPOT.3LIGNE<br>PATA REGULABLE X CAPOTA 3LINEA |  |
| 18 | 75226  | GANCIO MOLLA SPORTELLO TRAINO PG FINITO<br>SPRING HOOK<br>FEDER-HAKEN<br>CROCHAGE RESSORT<br>GANCHO MUELLE PUERTA ACCION. PG ACAB.                                  |  |



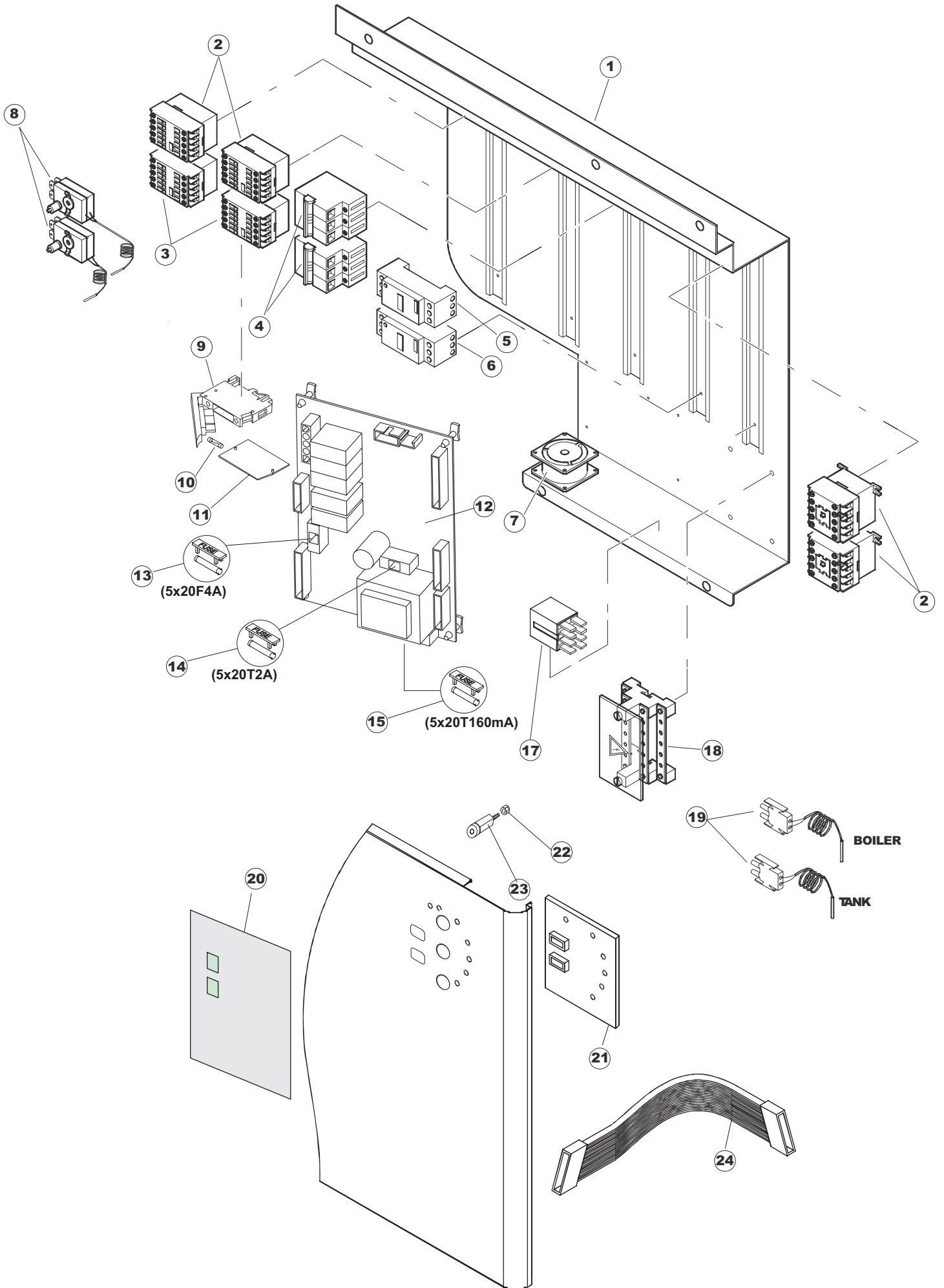
## Pagina 2

|    |        |   |  |
|----|--------|---|--|
| 1  | 75581  | SQ. SUPPORTO TENDINA PG FINITA<br>CURTAIN SUPPORTING BRACKET - FINISHED PART<br>BEFESTIGUNGSWINKEL FUER VORHANG - FERTIGTEIL<br>ÉQUERRE SUPPORT RIDEAU PG - ACHEVÉE<br>ESC. SOPORTE CORTINA PG ACABADA              |  |
| 2  | 75121  | ASTA SOSTEGNO TENDINA TRAINO<br>ROD, SSUPPORT FOR CURTAIN<br>STAB, STÜTZE FÜR VORHANG<br>BARRE SUPPORT RIDEAU AVANCEMENT<br>VARA SOSTEN CORTINA ACCION.   |  |
| 3  | 75120  | TENDINE ENTRATA/USCITA TRAINO<br>CURTAIN, INPUT/OUTPUT<br>VORHANG, EINTRITT/AUSTRITT<br>RIDEAUX ÉNTREE/SORTIE AVANCEMENT<br>CORTINAS ENTRADA/SALIDA ACCION.   |  |
| 4  | 75124  | ASTA SOSTEGNO TENDINA INERMED. TRAINO<br>ROD, SUPPORT FOR INTERM. CURTAIN<br>STAB, STÜTZE FÜR MITTL.VORHANG<br>BARRE SUPPORT RIDEAU INTERMED. AVANCEMENT<br>VARA SOSTEN CORTINA INERMED. ACCION.                    |  |
| 5  | 75123  | TENDINA INTERMEDIA TRAINO<br>CURTAIN, INTERMEDIATE<br>ZWISCHENVORHANG<br>RIDEAU INTERM. AVANCEMENT<br>CORTINA INTERMEDIA ACCION.  |  |
| 6  | 927088 | MAGNETE PER MICROINTERRUPTORE<br>MAGNET FOR MICROSWITCH<br>MAGNET FÜR MIKROSCHALTER<br>AIMANT POUR MINIRUPTEUR<br>IMAN PARA MICROINTERRUPTOR  |  |
| 7  | 75095  | LEVA ECONOMIZZATORE/AUTOTIMER TRAINO<br>LEVER FOR ECONOMIZER/AUTOTIMER FOR RACK C.<br>HEBEL FÜR SPARREGLER/AUTOTIMER KORBTR.<br>LEVIER ECONOMISATEUR/AUTOTIMER AVANCEMENT<br>PALANCA ECONOMIZADOR/AUTOTIMER ACCION. |  |
| 8  | 75069  | CARRELLO TRAINO "GOLD80" COMPLETO<br>CARRIAGE FOR RACK-CONVEYOR "GOLD80" COMPL.<br>WAGEN FÜR KORBTR. "GOLD80" KOMPL.<br>CHARIOT AVANCEMENT TRAINO "GOLD80" COMPLET<br>CARRITO ACCION. "GOLD80" COMPLETO             |  |
| 9  | 75073  | MANIGLIA COLLEGAMENTO TRAINO<br>HANDLE, RACK CONVEYOR CONNECTION<br>GRIFF, KORBTRANSPORTM.VERBIND.<br>POIGNEE CONNECTION AVANCEMENT<br>MANIJA CONEXION ACCION.  |  |
| 10 | 75070  | TELAIO CARRELLO TRAINO PIEGATO FINITO<br>FRAME TRAILER<br><br>BASTIDOR CARRO ACCION. PG ACAB.VER 75068  |  |
| 11 | 486169 | VITE NOX 4MAX10/4 TBCR-SP<br>SCREW, INOX 4MAX10/4 TBCR-SP<br>SCHRAUBE, INOX 4MAX10/4 TBCR-SP<br>VIS NOX 4MAX10/4 TBCR-SP<br>TORNILLO NOX 4MAX10/4 TBCR-SP   |  |
| 12 | 75075  | PATTINO CARRELLO TRAINO<br>SLIDING BLOCK FOR RACK-CONVEYOR<br>KUFEN FÜR KORBTR.<br>PATINS PANIER AVANC.<br>PATIN CARRITO ACCION.  |  |
| 13 | 75071  | SALTARELLO TRAINO<br>DRIVE CLICK<br>ABLAUFVERSCHLUSS<br>CLIQUET D'ARRET AVANCEMENT<br>TRINQUETE ACCION.   |  |
| 14 | 75077  | BOCCOLA SALTARELLO<br>BUSH, PAWL<br>BUCHSE, ABLAUFVERSCHLUSS<br>BAGUE CLIQUET D'ARRET<br>CASQUILLO TRINQUETE  |  |
| 15 | 75076  | TAMPONE FERMO TRAINO<br>BUFFER FOR DRIVE STOP<br>PUFFER, HALTEVORRICHTUNG FÜR KORBTRANSPORTAUT.<br>TAMPON ARRET AVANC.<br>TAMPON TOPE ACCION.   |  |

|    |        |   |  |
|----|--------|---|--|
| 16 | 486078 | VITE TC-CE M6X40 INOX<br>SCREW TC-CE M6X40 INOX<br>SCHRAUBE TC-CE M6X40 INOX<br>VIS TC-CE M6X40 INOX<br>TORNILLO TC-CE M6X40 INOX   |  |
| 17 | 75024  | GUIDA CESTELLO TRAINO COMPLETA<br>COMPLETE RACK TRACK SLIDE<br>KOMPLETTE FUEHRUNGSSCHIENE FUER KORB-TRANSPORT<br>GLISSIÈRE PANIER COMPLETE POUR SYSTÈME TRACTION<br>GUIA CESTA ACCION. COMPLETA   |  |
| 18 | 75058  | ROTELLA TRAINO<br>ROLLER FOR RACK CONVEYOR<br>ROLLE FÜR KORBTR.<br>ROULEAUX D'AVANC.<br>RUEDECILLA ACCION.  |  |
| 19 | 75231  | PARASPRUZZI TRAINO<br>SPLASHGUARD FOR RACK-CONVEYOR<br>SPRITZBLECH FÜR KORBTR.<br>ANTIECLABOUSS. AVANCEM.<br>ANTI-SALPICADURAS ACCION.  |  |
| 20 | 75235  | ALBERO MOTORE TRAINO COMPLETO<br>DRIVING SHAFT, COMPLETE<br>ANTRIEBSWELLE KOMPL.<br>ARBRE MOTEUR AVANCEMENT COMPLET<br>EJE MOTOR ACCION. COMPLETO   |  |
| 21 | 75141  | BOCCOLA TRAINO SUPERIORE<br>BUSH, UPPER DRIVE<br>BUCHSE, OB. KORBTRANSPORTMASCHINE<br>BAGUE AVANCEMENT SUP.<br>CASQUILLO ACCION. SUPERIOR   |  |
| 22 | 75168  | GUARNIZIONE FLANGIA ALBERO TRAINO<br>GASKET, FLANGE, DRIVE SHAFT<br>DICHTUNG, FLANSCH, ANTRIEBSWELLE<br>JOINT BRIDE ARBRE AVANCEMENT<br>JUNTA BRIDA EJE ACCION.                                   |  |
| 23 | 75057  | BOCCOLA TRAINO INFERIORE<br>BUSH, LOWER DRIVE<br>BUCHSE, UNT. KORBTRANSPORTMASCHINE<br>BAGUE AVANCEMENT INF.<br>CASQUILLO ACCION. INFERIOR  |  |
| 24 | 80871  | MICRO MAGNETICO<br>MAGNETIC DOOR SWITCH<br>TUERKONTAKTSCHALTER<br>CONTACTE MAGNETIQUE<br>CONTACTO MAGNETICO   |  |
| 25 | 75146  | FILTRO RACCOLTA CON MANIGLIA TRAINO<br>FILTER, COLL. WITH RACK CONVEYOR HANDLE<br>FILTER, SAMML. MIT KORBTR.GRIFF<br>FILTRE RECOLTE AVEC POIGNEE AVANCEMENT<br>FILTRO RECOGIDA CON MANIJA ACCION. |  |
| 26 | 75200  | FILTRO PIANO TRAINO<br>FILTER, FOR RACK CONVEYOR TABLE<br>FILTER, FÜR KORBTR.TISCH<br>FILTRE PLAQUE AVANCEMENT<br>FILTRO SUPERF. ACCION.  |  |
| 28 | 472061 | RONDELLA X GUIDA CESTO CL.3<br>WASHER, FOR BASKET GUIDE CL.3<br>UNTERLEGSCHIEBE, FÜR KORB FÜHRUNG KL.3<br>RONDELLE POUR GUIDE PANIER CL.3<br>ARANDELA X GUIA CESTA CL. 3                          |  |
| 29 | 42092  | GUIDA FILTRO ASPIRAZIONE U70<br>GUIDE, EXHAUST. FILTER U70<br>FÜHRUNG, ABSAUG.FILTER U70<br>GUIDE FILTRE ASPIRATION U70<br>GUIA FILTRO ASPIRACION U70   |  |
| 30 | 42089  | FILTRO ASPIRAZIONE POMPA U70<br>FILTER, SUCTION FOR PUMP U70<br>FILTER, ABSAUG. FÜR PUMPE U70<br>FILTRE ASPIRATION POMPE U70<br>FILTRO ASPIRACION BOMBA U70                                       |  |
| 31 | 75262  | TROPPOP INOX COMPL TRAINO<br>OVERFLOW, INOX COMPL.FOR HOOD-TYPE<br>ÜBERLAUF, INOX KOMPL.FÜR KORBTRANSP.<br>TROP-PLEIN INOX COMPL AVANCEMENT<br>REBOSE INOX COMPL ACCION.                          |  |

|    |        |   |  |
|----|--------|---|--|
| 32 | 143005 | TUBO PRESS.TP 5x11 (CASER/15/NL C4N)<br>PIPE, PRESSURE SWITCH TP 5x11 (CASER/15/NL C4N)<br>ROHR, DRUCKSCHALTER TP 5x11 (CASER/15/NL C4N)<br>TUYAU PRESS.TP 5x11 (CASER/15/NL C4N)<br>TUBO PRES. TP 5x11 (CASER/15/NL C4N)   |  |
| 33 | 926049 | PRESSOSTATO 761999 180-70<br>PRESSURE SWITCH 761999 180-70<br>DRUCKSCHALTER 761999 180-70<br>PRESSOSTAT 761999 180-70<br>PRESOSTATO 761999 180-70   |  |
| 34 | 984005 | GRUPPO CAMPANA PRESSOST.35/40<br>PRESSURE SWITCH BELL 35/40<br>GLOCKE, DRUCKSCHALTER 35/40<br>ENS.BOITE PRESSOSTAT 35/40<br>GRUPO CAMPANA PRESOSTATO 35/40  |  |
| 35 | 42185  | PILETTA COMPL.INOX 1"1/2 (01713007)<br>DRAIN, COMPL., INOX 1"1/2 (01713007)<br>ABFLUSS, KOMPL., INOX 1"1/2 (01713007)<br>TUYAU DE VIDANGE COMPL.INOX 1"1/2 (01713007)<br>PILETA COMPL. INOX 1"1/2 (01713007)                |  |
| 36 | 75142  | BOCCOLA INFERIORE TRAINO<br>BUSH, LOWER RACK-CONVEYOR<br>BUCHSE, UNTEN KORBTR.<br>BAGUE INF. AVANCEMENT<br>CASQUILLO INFERIOR ACCION.   |  |
| 37 | 75217  | STAFFA MOTORE TRAINO PG FINITO  |  |
| 38 | 927246 | MICROINTERRUPTORE MS30+CALOTTA VFC03<br>MICROSWITCH, MS30+NUT VFC03<br>MIKROSCHALTER, MS30+MUTTER VFC03<br>MINIRUPTEUR MS30+ECROU VFC03<br>MICROINTERRUPTOR MS30+CAPERUZA VFC03   |  |
| 39 | CMT13  | MOLLA A COMPRESS D 20 L 100 FILO 2<br>SPRING, COMPRESSION D 20 L 100 WIRE 2<br>DRUCKFEDER D 20 L 100 DRAHT 2<br>RESSORT A COMPRESS D 20 L 100 FIL 2<br>MUELLE DE COMPRESION D 20 L 100 HILO 2                               |  |
| 40 | 75218  | STAFFA AZIONAMENTO MICRO TRAINO PIEGATO FINITO<br>BRACKET<br>TRAGBUEGEL<br>ENTRIER<br>SOPORTE ACTIV. MICRO ACCION. PG ACAB.   |  |
| 41 | 60354  | VITE REGISTRO FRIZIONE ALFA<br>SCREW, ADJUSTING SCREW FOR FRICTION ALFA<br>JUSTIERSCHRAUBE FÜR KOPPLUNG ALFA<br>VIS REGISTRE FRICTION ALFA<br>TORNILLO REGISTRO FRICCIÓN ALFA   |  |
| 42 | 927102 | RIDUTTORE MVF-49A 1/60 160/220<br>RED.GEAR MVF-49A 1/60 160/220<br>REDUZIERST. MVF-49A 1/60 160/220<br>REDUCTEUR MVF-49A 1/60 160/220<br>REDUCTOR MVF-49A 1/60 160/220  |  |
| 43 | 927104 | MOTORE 180W MEC71 B5 - 8POLI 230/400 160<br>MOTOR 180W MEC71 B5 - 8-POLES 230/400 160<br>MOTOR 180W MEC71 B5 - 8-POL. 230/400 160<br>MOTEUR 180W MEC71 B5 - 8POLES 230/400 160<br>MOTOR 180W MEC71 B5 - 8 POLOS 230/400 160 |  |

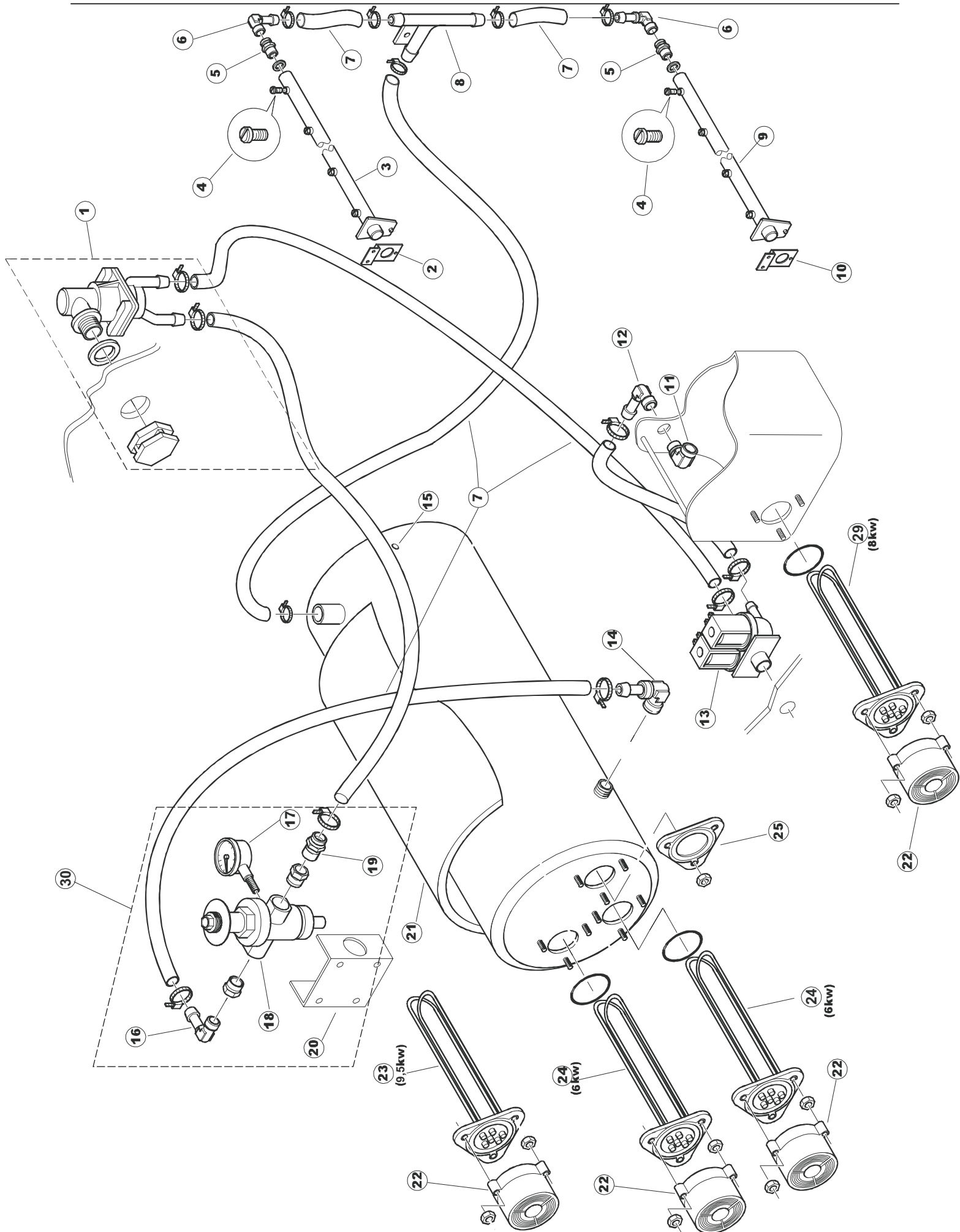




# Pagina 3

|    |          |  |  |
|----|----------|--|--|
| 1  | 75182    | PANNELLO QUADRO ELETTRICO COMPLETO   |  |
| 2  | 80350    | CONTACT 230-50/60HZ 3RT1016-1AP01<br>CONTACT, 230-50/60HZ 3RT1016-1AP01<br>KONTAKT, 230-50/60HZ 3RT1016-1AP01<br>CONTACT 230-50/60HZ 3RT1016-1AP01<br>VER CODIGO 229037  |  |
| 3  | 80351    | CONTATTORE TRIPOLARE 40A<br>CONTACTOR TRIPOLAR 40A<br>SCHALTSCHÜTZ DREIPOL. 40A<br>CONTACTEUR TRIPOLAIRE 40A<br>CONTACTOR TRIPOLAR 40A   |  |
| 4  | 927038   | PORTAFUSIBILE TRIPOLARE GK1-DF<br>FUSE-HOLDER TRIPOLAR GK1-DF<br>SICHERUNGSTRAGER DREIPOL. GK1-DF<br>PORTE-FUSIBLE TRIPOLAIRE GK1-DF<br>PORTA-FUSIBLE TRIPOLAR GK1-DF  |  |
| 5  | DEI35    | INT AUT 3X25A 07/1A 3RV1011-0JA10<br>AUTOM.SWITCH 3X25A 07/1A 3RV1011-0JA10<br>AUTOMATIKSCHALTER 3X25A 07/1A 3RV1011-0JA10<br>INTERRUPT. AUT 3X25A 07/1A 3RV1011-0JA10<br>INT AUT 3X25A 07/1A 3RV1011-0JA10          |  |
| 6  | DEI40    | INT AUT 3X25A 2,8/4A 3RV1011-1EA10<br>AUTOM.SWITCH 3X25A 2,8/4A 3RV1011-1EA10<br>AUTOMATIKSCHALTER 3X25A 2,8/4A 3RV1011-1EA10<br>INTERRUPT. AUT 3X25A 2,8/4A 3RV1011-1EA10<br>INT AUT 3X25A 2,8/4A 3RV1011-1EA10     |  |
| 7  | 77044    | VENTILATORE QUADRO COMANDI<br>FAN<br><br>VENTILATEUR   |  |
| 8  | 927057   | TERMOSTATO 3 CONTATTI 90/110°C TYPE LS1<br>THERMOSTAT, 3-CONTACT 90/110°C TYPE LS1<br>THERMOSTAT, 3-KONTAKTE 90/110°C TYP LS1<br>THERMOSTAT 3 CONTACTS 90/110°C TYPE LS1<br>TERMOSTATO 3 CONTACTOS 90/110°C TIPO LS1 |  |
| 9  | H.228048 | * CHIUSURA PORTA-FUSIBILE<br>* CLAMPING FOR FUSE-HOLDER<br>* SICHERUNGSTRAGER-VERSCHLUSS<br>* COUVERTURE PORTE-FUSIBLE<br>* CIERRE PORTAFUSIBLE  |  |
| 10 | 228004   | FUSIBILE 5X20 4A FAST<br>FUSE, 5X20 4A FAST<br>SICHERUNG, 5X20 4A FAST<br>FUSIBLE 5X20 4A FAST<br>FUSIBLE 5X20 4A FAST   |  |
| 11 | H.228047 | * PORTA-FUSIBILE<br>* FUSE-HOLDER<br>* SICHERUNGSTRAGER<br>* PORTE-FUSIBLE<br>* PORTAFUSIBLE   |  |
| 12 | 215032   | SCHEDA ELETTRONICA GET50<br>MAIN BOARD<br>KARTE<br>CARTE ELECTRONIQUE<br>TARJETA CHORROS50 MICRO 644   |  |
| 13 | 228004   | FUSIBILE 5X20 4A FAST<br>FUSE, 5X20 4A FAST<br>SICHERUNG, 5X20 4A FAST<br>FUSIBLE 5X20 4A FAST<br>FUSIBLE 5X20 4A FAST   |  |
| 14 | 228011   | FUSIBILE 5X20 T2A<br>FUSE<br>SICHERUNG<br>FUSIBLE<br>FUSIBLE 5X20 T2A  |  |
| 15 | 228012   | FUSIBILE 5X20 T160MA<br>FUSE<br>SICHERUNG<br>FUSIBLE<br>FUSIBLE 5X20 T160MA  |  |

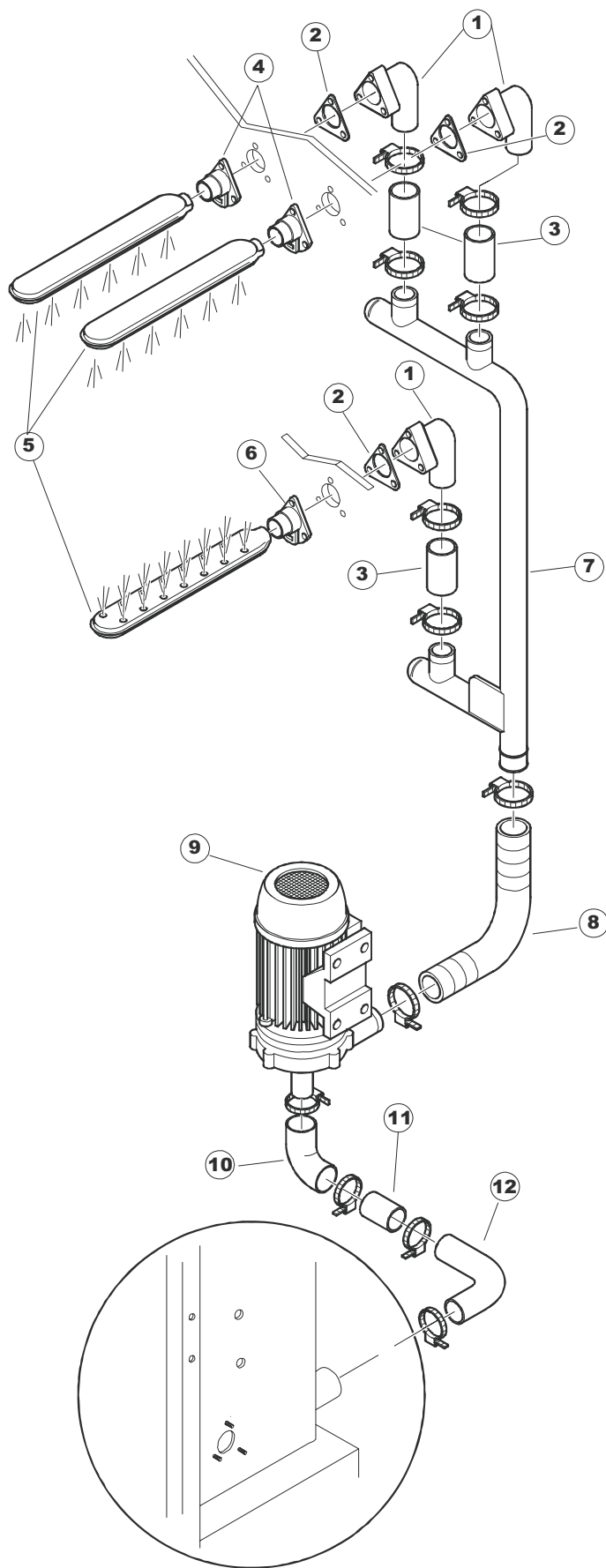
|    |        |   |  |
|----|--------|---|--|
| 17 | 929115 | RELE 16A 230V 62.82<br>RELAY 16A 230V 62.82<br>RELAIS 16A 230V 62.82<br>RELAIS 16A 230V 62.82<br>RELE 16A 230V 62. 82                         |  |
| 18 | 75983  | MORSETTIERA 4POLI 600V<br>TERMINAL BOARD 4P 600V<br>KLEMMLEISTE 4P 600V<br>BORNIER 4P 600V<br>BORNERO 4POLOS(125A) 600V POTENCIA              |  |
| 19 | 231016 | SONDA TEMPERATURA<br>TEMP. PROBE<br>KUGEL<br>SONDE<br>SONDA TEMPERATURA (AMPOLLA ACERO)   |  |
| 20 | 75952  | POLIESTERE LTD<br><br>POLIESTER SERIE LTD MBM ACCION.   |  |
| 21 | 80889  | TASTIERA COMANDI<br>CONTROL KEYBOARD<br>BEDINGUNGEN-TESTENBRETT<br>TABLEAU A POUSSOIRS COMMANDES<br>TECLADO DE MANDOS                         |  |
| 22 | 417119 | DADO M3 PLASTICA BIANCO<br>NUT, M3 PLASTIC WHITE<br>SCHRAUBENMUTTER, M3 KUNST. WEISS<br>ECROU M3 PLASTIQUE BLANC<br>TUERCA M3 PLASTICO BLANCO |  |
| 23 | 419036 | SPACER<br>SPACER, M3<br>ABSTANDSSTÜCK, M3<br>ENTRETOISE M3<br>DISTANCIADOR M3   |  |
| 24 | 80934  | CAVO FLAT COMANDI INFERIORI CAPOT<br>CABLE FLAT CAPOT<br>KABEL FLAT<br>CABLE LIAISON<br>CABLE FLAT MANDOS INFERIORES CAPOT                    |  |



# Pagina 4

|    |              |  |  |
|----|--------------|--|--|
| 1  | 144010       | DISPOSIT.A/R.(EB) CON RACCORDO SFIATO<br>CHECK VALVE (EB) W/DRAIN UNION<br>RÜCKSCHLAGVORR.(EB) MIT ENTLÜFTUNG<br>DISPOSIT.A/R.(EB) AVEC RACCORD DE VIDANGE<br>DISPOSIT. A/R. (EB) CON EMPALME ALIVIAD.                         |  |
| 2  | 75131        | SQUADRA SUPERIORE FISSAGGIO BRACCIO RISCIAQUO PG.<br>BRACKET<br>BEF.WINKEL<br>EQUERRE<br>ESC SUP. FIJACION BRAZO ENJUAGUE PG.ACAB.   |  |
| 3  | 75115        | BRACCIO SUPERIORE RISCIAQUO COMPLETO<br>UPPER ARM, COMPL.RINSE<br>OB. NACHSPÜLARM, KOMPL.<br>BRAS SUPERIEUR RINCAGE COMPLET<br>BRAZO SUPERIOR ENJUAGUE COMPLETO  |  |
| 4  | 75133        | SPRUZZATORE RISCIAQUO INOX<br>SPRAYER, RINSE, INOX<br>SPRITZDÜSE, NACHSPÜLEN, INOX<br>GICLEUR RINCAGE INOX<br>ROCIADOR ENJUAGUE INOX   |  |
| 5  | 75401        | RACCORDO BRACCIO RISCIAQUO TRAINO<br>UNION, RINSE ARM TRAINO<br>VERBINDUNGSST., NACHSPÜLARM KORBTR.<br>RACCORD BRAS RINCAGE AVANCEMENT<br>EMPALME BRAZO ENJUAGUE ACCION.   |  |
| 6  | 77904        | PORTAGOMMA CURVO 3/8F<br>PIPE HOLDER<br>TUERE<br>PORTE-TUYAU<br>PORTAGOMA CURVO 3/8F(ART.GTL6446010C38)  |  |
| 7  | 143010       | TUBO PRESS.TP 12X19.5<br>PIPE, PRESSURE SWITCH TP 12X19.5<br>ROHR, DRUCKSCHALTER TP 12X19.5<br>TUYAU PRESS.TP 12X19.5<br>TUBO PRES. TP 12X19. 5  |  |
| 8  | H.882974-001 | RACCORDO A "T" IN PLASTICA<br><br>EMPALME EN"T"(TS13) DE PLASTICO  |  |
| 9  | 75125        | BRACCIO INFERIORE RISCIAQUO COMPLETO<br>LOWER ARM, RINSE COMPLETE<br>UNT. ARM, NACHSPÜLEN KOMPL.<br>BRAS INF. RINCAGE COMPLET<br>BRAZO INFERIOR ENJUAGUE COMPLETO  |  |
| 10 | 75129        | SQ INF. FISSAGGIO BRACCIO RISCIAQC.PG.F<br>BRACK., LOWER FOR RINSE ARM FIX.PG.F<br>BEFESTIGUNGSWINKEL, UNT. FÜR NACHSPÜLARM PG.F<br>EQ. INF. FIXATION BRAS RINC.PG.F<br>ESC. INF. FIJACION BRAZO ENJUAGUE PG ACAB              |  |
| 11 | 927013       | RACCORDO OT.3/8X12 SALDATO CROMATO<br>UNION, BRASS 3/8X12 WELDED CHROM.-PLATED<br>VERBINDUNGSST., MESSING 3/8X12 GESCHW. VERCHR.<br>RACCORD LAITON 3/8X12 SOUDE CHROME<br>EMPALME LAT. 3/8X12 SOLDADO CROMADO                  |  |
| 12 | 929163       | RACCORDO IN OTTONE 3/8M CURVO METANO<br>UNION, BRASS 3/8M BEND METHANE<br>VERBINDUNGSST., MESSING 3/8M GEBOG. ERDGAS<br>RACCORD EN LAITON 3/8M COURB METHANE<br>EMPALME LATON 3/8M CURVO METANO                                |  |
| 13 | 929172       | ELETTROVALV.3/4 DOPPIA 220V(341930)P16LT<br>SOLENOID VALVE 3/4 DOUBLE 220V(341930)P16LT<br>ELEKTROVENTIL 3/4 DOPPELT 220V(341930)P16LT<br>ELETTROVALV.3/4 DOUBLE 220V(341930)P16LT<br>ELECTROVALV. 3/4 DOBLE 220V(341930)P16LT |  |
| 14 | 108006C      | PORTAGOMMA<br>RUBBER PIPE HOLDER<br>SCHLUACHHALTER<br>PORTE-TUYAU CAOUTCHOUC<br>PORTAGOMA 90° SALIDA CALENTADOR CROMADO  |  |
| 15 | 75625        | BOILER TRAINO COMPATTA(17LT.)<br>BOILER<br><br>CALENTADOR ACCION. COMPATTA(17LT.)  |  |

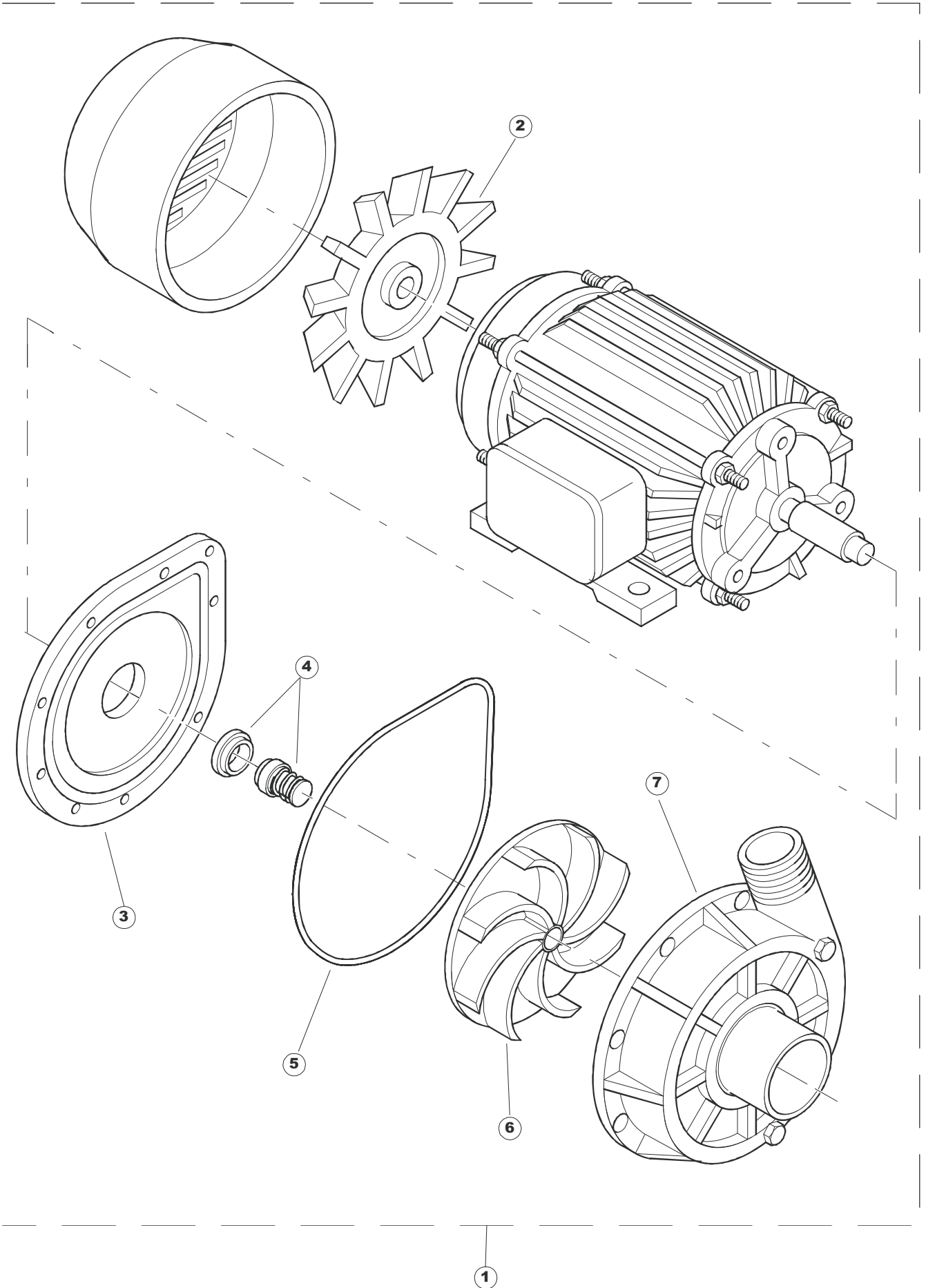
|    |         |  |  |
|----|---------|--|--|
| 16 | 929163  | RACCORDO IN OTTONE 3/8M CURVO METANO<br>UNION, BRASS 3/8M BEND METHANE<br>VERBINDUNGSST., MESSING 3/8M GEBOG. ERDGAS<br>RACCORD EN LAITON 3/8M COURB METHANE<br>EMPALME LATON 3/8M CURVO METANO                  |  |
| 17 | 75998   | MANOMETRO PER RIDUTTORE(0-2,5 BAR)<br>MANOMETER FOR RED.GEAR(0-2,5 BAR)<br>MANOMETER FÜR REDUZIERST.(0-2,5 BAR)<br>MANOMETRE POUR REDUCTEUR (0-2,5 BAR)<br>MANOMETRO PARA REDUCTOR(0-2,5 BAR)                    |  |
| 18 | 927150  | RIDUTTORE PRESSIONE 1/2"<br>RED.GEAR, PRESSURE 1/2"<br>DRUCKMINDERER 1/2"<br>REDUCTEUR PRESSION 1/2"<br>REDUCTOR PRESSION 1/2"   |  |
| 19 | 927015  | RACCORDO IN OTTONE 3/8 PORTAGOMMA D12<br>UNION, BRASS 3/8 RUBBER-HOLDER D12<br>VERBINDUNGSST., MESSING 3/8 SCHLAUCHTÜLLE D12<br>RACCORD EN LAITON 3/8 PORTE-CAOUTCHOUC D12<br>EMPALME LATON 3/8 EMPALME D12      |  |
| 20 | 75283   | STAFFA SOSTEGNO RIDUTTORE PRESSIONE PG.F<br>BRACKET, SUPP. FOR PRESSURE REDUCER PG.F<br>BÜGEL, HALTER FÜR DRUCKMINDERER PG.F<br>ETRIER SUPPORT REDUCTEUR PRESSION PG.F<br>SOPORTE SOSTEN REDUCTOR PRESSION PG. F |  |
| 21 | 75245   | COIBENTAZ BOILER GOLD80<br>BOILER INSULATION GOLD 80<br>BOILERISOLIERUNG GOLD 80<br>ISOLATION CHAUDIERE GOLD80<br>AISLAMIENTO CALENTADOR GOLD80  |  |
| 22 | 69870   | PROTEZIONE RESISTENZA BOILER<br>BOILER HEATING ELEMENT PROTECTION<br>HEIZUNGSSCHUETZ DES WARMWASSERBEREITERS<br>PROTECTION RESISTANCE BOILER<br>PROTECCION RESISTENCIA CALENTADOR                                |  |
| 23 | 80398C  | RESISTENZA B. 9500W 230V RIVER 82/83<br>RESISTANCE, B. 9500W 230V RIVER 82/83<br>WIDERSTAND, B. 9500W 230V RIVER 82/83<br>RESISTANCE CH. 9500W 230V RIVER 82/83<br>RESISTENCIA B. 9500W 230V RIVER 82/83         |  |
| 24 | 230083C | KIT RESISTENZA REB230083 (6KW)<br>KIT, RESISTANCE REB230083 (6KW)<br>KIT, WIDERSTAND REB230083 (6KW)<br>KIT RESISTANCE REB230083 (6KW)<br>KIT RESISTENCIA REB230083 (6KW)  |  |
| 25 | 926053  | TAPPO/FLANGIA CIECA 170880543<br>CAP/FLANGE BLIND 170880543<br>PFROPFEN/FLANSCH BLIND 170880543<br>BOUCHON/BRIDE BORGNE 170880543<br>TAPON/BRIDA CIEGA 170880543   |  |
| 29 | 230020C | KIT RESISTENZA REB230020 (8KW)<br>KIT, RESISTANCE REB230020 (8KW)<br>KIT, WIDERSTAND REB230020 (8KW)<br>KIT RESISTANCE REB230020 (8KW)<br>KIT RESISTENCIA REB230020 (8KW)  |  |
| 30 | 75977   | KIT<br>KIT<br>KIT<br>KIT<br>KIT REDUCTOR PRESSION ACCION.  |  |



# Pagina 5

|    |        |   |  |
|----|--------|---|--|
| 1  | 75155  | RACCORDO LAVAGGIO ESTERNO TRAINO<br>UNION, WASH.OUTS. RACK CONVEYOR<br>VERBINDUNGSST., AUSS. SPÜL. KORBTR.<br>RACCORD LAVAGE EXTERIEUR AVANCEMENT<br>EMPALME LAVADO EXTERNO ACCION.   |  |
| 2  | 437050 | GUARN.GOMITO PORTAGOMMA MOD 22<br>GASKET, ELBOW RUBBER-HOLDER MOD 22<br>DICHTUNG, KNIESTÜCK SCHLAUCHTÜLLE MOD 22<br>JOINT COUDE PORTE-CAOUTCHOUC MOD 22<br>JUNTA CODO EMPALME MOD 22  |  |
| 3  | 75154  | MANICOTTO MANDTA LAVAGGIO TRAINO<br>SLEEVE, WASH. DELIVERY FOR RACK CONVEYOR<br>MUFFE, SPÜL.VERSORGUNG FÜR KORBTRANSPORTM.<br>MANCHON REFOUL. LAVAGE AVANCEMENT<br>MANGUITO IMPULSION LAVADO ACCION.                                |  |
| 4  | 75169  | ATTACCO LANCIA SUPERIORE COMPLETO<br>UNION, UPPER WASH-ARM ASSB.<br>VERBIND., OB. LANZE KOMPL.<br>FIXATION RAMPE SUP. COMPLETE<br>CONEXION LANZA SUPERIOR COMPLETA  |  |
| 5  | 75616  | BRACCIO LAVAGGIO<br>WASH ARM<br>SPUELARM<br><br>BRAZO LAVADO (TUERCA 10,5X4MM)  |  |
| 6  | 75171  | ATTACCO LANCIA INFERIORE COMPLETO<br>UNION, LOWER WASH-ARM ASSB.<br>VERBIND., UNT. LANZE KOMPL.<br>FIXATION RAMPE INF. COMPLETE<br>CONEXION LANZA INFERIOR COMPLETA   |  |
| 7  | 75165  | TUBO MANDATA LAVAGGIO TRAINO<br>PIPE, DELIVERY PIPE FOR HOOD-TYPE WASHING<br>ZUFLUSSROHR FÜR SPÜLEN / KORBTRANSP.<br>TUYAU REFOULEMENT LAVAGE AVANCEMENT<br>TUBO IMPULSION LAVADO ACCION.   |  |
| 8  | 80187  | MANICOTTO MANDATA POMPA RIVER 82/83<br>SLEEVE, PUMP DELIVERY RIVER 82/83<br>MUFFE, ZUFUHR PUMPE RIVER 82/83<br>MANCHON REFOUL. POMPE RIVER 82/83<br>MANGUITO IMPULSION BOMBA RIVER 82/83  |  |
| 9  | 75175  | EL.P 1,1 KW 230/400-240/415 50 422512725<br>MOTORPUMP 1,1 KW 230/400-240/415 50 422512725<br>ELEKTROPUMPE 1,1 KW 230/400-240/415 50 422512725<br>EL.P 1,1 KW 230/400-240/415 50 422512725<br>ELECTROBOMBA 1,1 KW 230/400-240/415 50 |  |
| 10 | 926056 | GOMITO GOMMA ASPIRAZIONE POMPA 120/140<br>ELBOW, RUBBER, EXHAUST. PUMP 120/140<br>KNIESTÜCK, GUMMI, ABSAUG.PUMPE 120/140<br>COUDE CAOUTCHOUC ASPIRATION POMPE 120/140<br>CODO GOMA ASPIRACION BOMBA 120/140                         |  |
| 11 | 42028  | TRONCHETTO ASPIRAZIONE<br><br>TRONCO ASPIRACION (EMBUTIDO)  |  |
| 12 | 929164 | GOMITO IN GOMMA P2703 SAIAG<br>ELBOW, RUBBER P2703 SAIAG<br>KNIESTÜCK, GUMMI P2703 SAIAG<br>COUDE EN CAOUTCHOUC P2703 SAIAG<br>CODO DE GOMA P2703 SAIAG   |  |





# Pagina 6

|   |        |   |  |
|---|--------|---|--|
| 1 | 75175  | EL.P 1,1 KW 230/400-240/415 50 422512725<br>MOTORPUMP 1,1 KW 230/400-240/415 50 422512725<br>ELEKTROPUMPE 1,1 KW 230/400-240/415 50 422512725<br>EL.P 1,1 KW 230/400-240/415 50 422512725<br>ELECTROBOMBA 1,1 KW 230/400-240/415 50 |  |
| 2 | 335003 | VENTOLA 1295/2277<br>FAN 1295/2277<br>GEBL. 1295/2277<br>VENT. 1295/2277<br>ROTOR 1295/2277   |  |
| 3 | 80880  | FLANGIA PER ELETTROPOMPA 4225/2<br>ELECTROPUMP FLANGE 4225/2<br>FLANSCH FUER MOTOPOMPE 4225/2<br>BRIDE POUR MOTOPOMPE 4225/2<br>BRIDA EL.BOMBA 4225/2 (PM4225320)   |  |
| 4 | 141002 | TENUTA MECCANICA ROTANTE D 12<br>SEAL, MECH., REVOLVING D 12<br>DICHTUNG, MECH., ROTIER. D 12<br>JOINT MECANIQUE PIVOTANT 12<br>SELLO MECANICO GIRAT. D 12  |  |
| 5 | 456023 | OR FIR 1225-41-95<br>O-ring FIR 1225-41-95<br>O-Ring FIR 1225-41-95<br>OR FIR 1225-41-95<br>OR FIR 1225-41-95   |  |
| 6 | 80881  | GIRANTE EL. POMPA (TIPO 422512725)<br>ELECTR.PUMP IMPELLER (TYPE 422512725)<br>LAUFRAD ELEKTROPUMPE (TYP 422512725)<br>ROUE ELECTROPOMPE (TYPE 422512725)<br>ROTOR ELECTROBOMBA (TIPO 422512725)                                    |  |
| 7 | 80882  | CHIOCC EL.POMPA 4225/2 1295303/B C/TAPPO  |  |