

- 541018200 (L-61G)
- 541018300 (R-61G)
- 541018900 (L-61GS)
- 541059600 (R-61GS)
- 541018400 (L-62G)
- 541018500 (LR-62G)
- 541018600 (R-62G)
- 541019000 (L-62GS)
- 541059700 (LR-62GS)
- 541059800 (R-62GS)
- 541022700 (L-63G)
- 541022800 (LR-63G)
- 541022900 (L-63GS)
- 541059900 (LR-63GS)
- 541024001 (L-64G)
- 541024101 (LR-64G)
- 541024301 (L-64GS)
- 541060000 (LR-64GS)

- 536001700 (61G/62G)
- 533015700 (61G/62G)
- 533011200 (61G/62G)

- 541015600 (61G)
- 541015700 (62G)
- 541022100 (63G)
- 541023501 (64G)

- 541015000 (61G)
- 541015100 (62G)
- 541022300 (63G)
- 541024400 (64G)

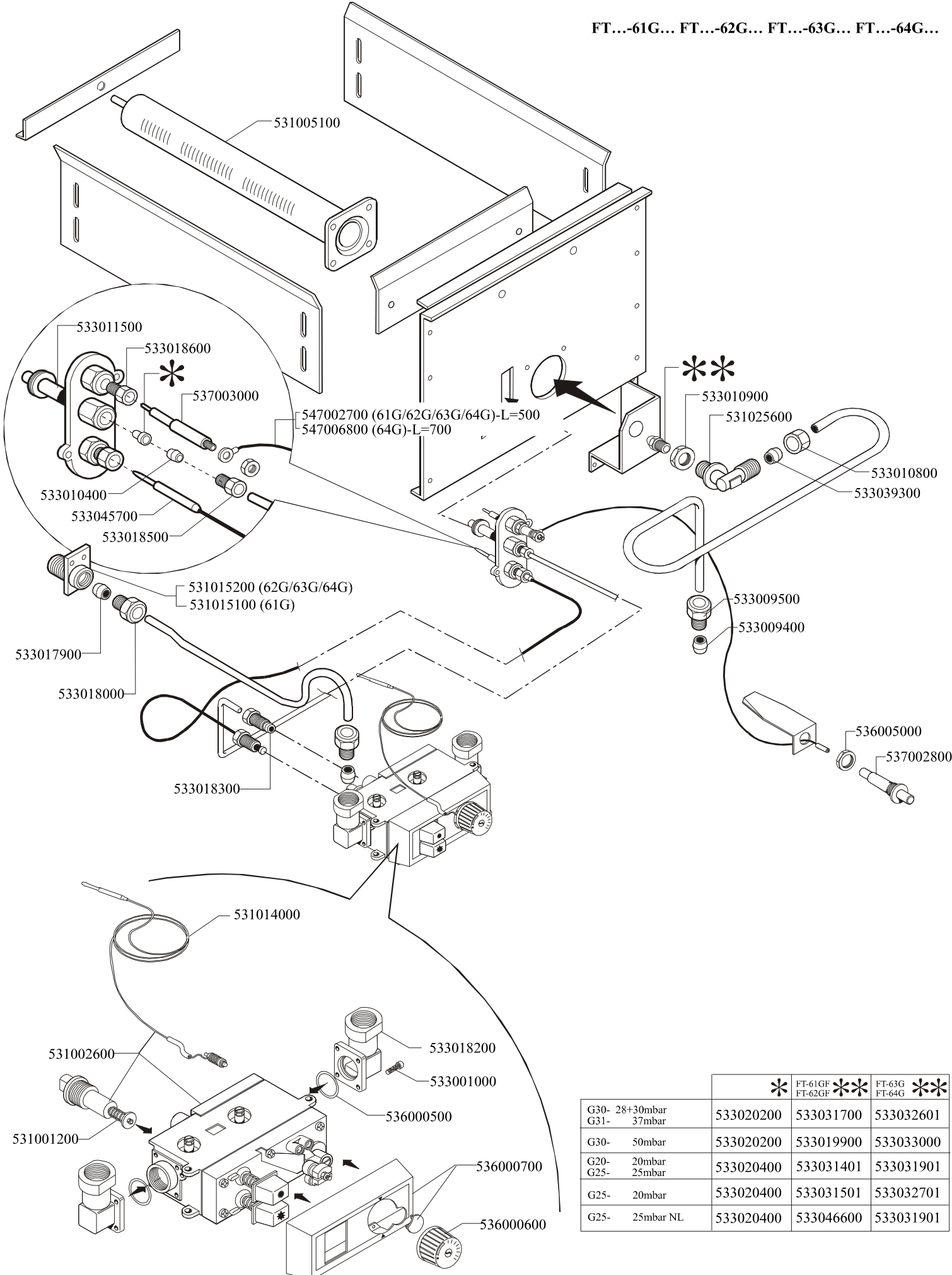
- 544070200 (61G)
- 544070300 (62G)
- 544092900 (63G)
- 544080701 (64G)

544062000

544061900

541016500

533010300



	*	FT-61GF FT-62GF	**	FT-63G FT-64G	**
G30- 28+30mbar G31- 37mbar	533020200		533031700		533032601
G30- 50mbar	533020200		533019900		533033000
G20- 20mbar G25- 25mbar	533020400		533031401		533031901
G25- 20mbar	533020400		533031501		533032701
G25- 25mbar NL	533020400		533046600		533031901

Page	Pos	Code	Description
001		541018600	GROOVED PLATE FTR-62G
001		541006900	SPATTLE FT
001		536001700	GRIP D.25*19*M6
001		533015700	HEADLESS SCREW M6*20
001		533011200	SCREW PLUG FOR DRAIN FT-61
001		541015700	PERFORATED SPACER 62
001		541015100	UPPER PLATE FT-62G
001		544061900	RIGHT SIDE PANEL 60 LINE
001		544070300	CONTROL PANEL FT-62G
001		541016500	DRIP TRAY FT-61
001		533010300	ADJUSTABLE FOOT M10*20 D.23
001		544062000	LEFT SIDE PANEL 60 LINE
002		531005100	BURNER 511/11
002		533011500	PILOT BURNER 2 FLAMES 220
002		533018600	PLUG FITTING
002		537003000	PLUG M4 - LONG ELECTRODE
002		533010400	BICONE D.6
002		533045700	THERMOCOUPLE M9*1 500
002		533018500	FITTING FOR BICONE D.6 M10*1
002		547002700	HIGH-VOLTAGE CABLE L=500
002		531015200	1/2" G- TWO WAY 3/8" G FITTING
002		533017900	BICONE D.12
002		533018000	ELBOW FOR BICONE D.12 3/8 RS L20
002		533018300	FITTING WITH BICONE 6 M10*1
002		533010900	NUT M14*1 H.4
002		531025600	ELBOW 90° NOZZLE-HOLDER §10 PIPE
002		533010800	TUBE NUT D.10 M16*1,5
002		533039300	BICONE §10
002		533009500	NIPPLE FOR BICONE 10S
002		533009400	BICONE 10S
002		536005000	NUT M18 FOR PIEZOELECTRIC IGNITION
002		537002800	PIEZOELECTRIC IGNITION M18
002		531014000	VALVE CAPILLARY PROBE - FT
002		531002600	MINISIT VALVE FO S/RP
002		531001200	MAGNET AC/2-MINISIT
002		533018200	ELBOW OR GJ 3/8
002		533001000	SCREW TCB C/CC M4X16
002		536000500	O-RING FOR MINISIT FITTING
002		536000700	PLASTIC COVER FOR MINISIT + SCREW
002		536000600	BLACK LHD KNOB OP. FOR MINISIT
002		533020200	PILOT JETS 0160 FOR LPG §30
002		533031700	NOZZLE §105 CH-12*30 G30 CE GFT6
002		533032601	NOZZLE §85 CH12X30,0
002		533019900	NOZZLE §90 G-FT3 F-FT-B2
002		533033000	NOZZLE §075 CH12X30,0
002		533020400	NOZZLE 0160 (NATURAL GAS) 51
002		533031401	NOZZLE §155 CH12X30 G20 MH-B2/FT
002		533031901	NOZZLE §130 CH12*30 MH-FT34
002		533031501	NOZZLE §170 CH12X30,0
002		533032701	NOZZLE §146 CH12*30 L-FT34
002		533046600	NOZZLE §161 G25