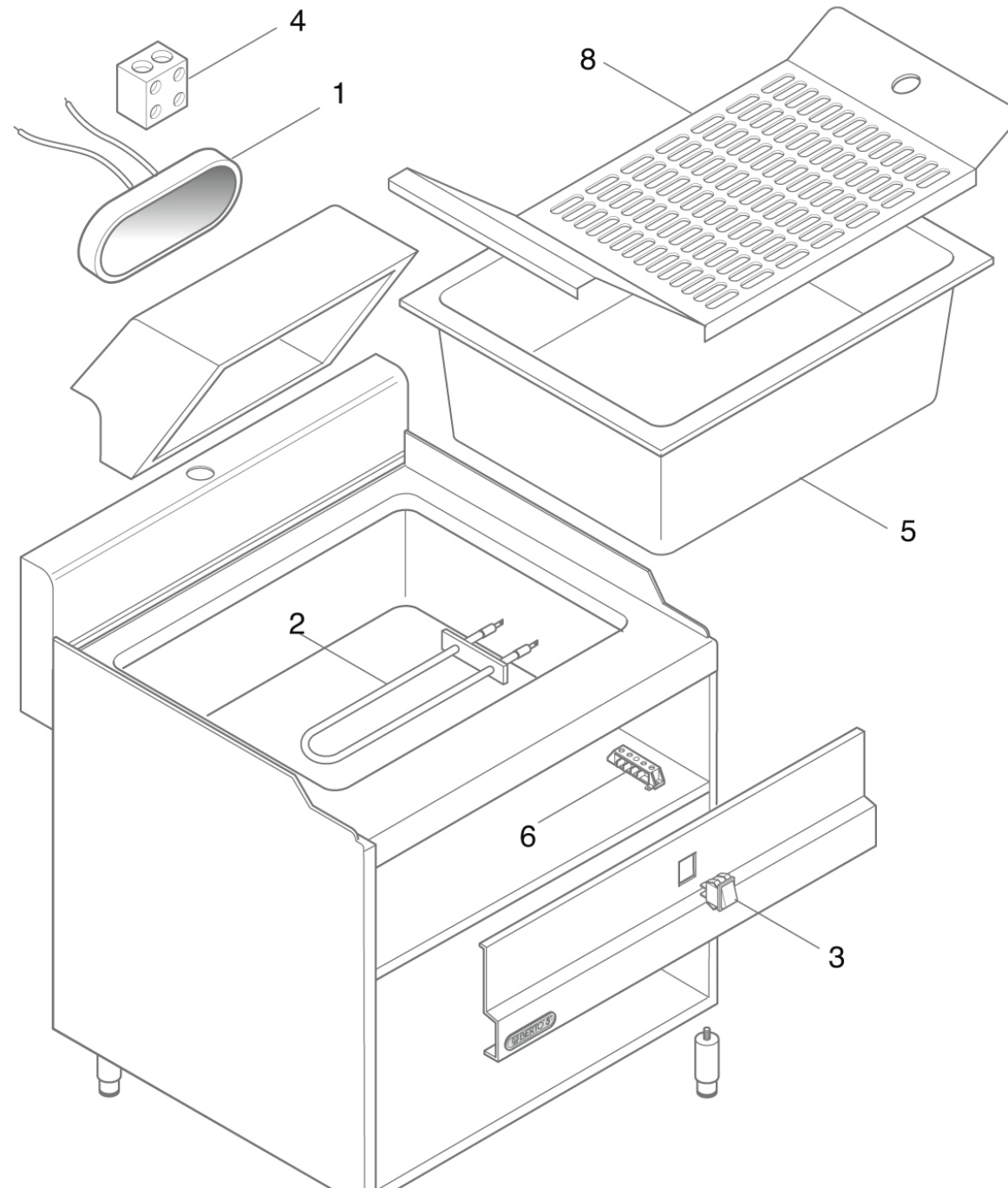




E6SP6M





E6SP6M

Pos. Item	Codice Code	Descrizione	Item Description	Designation articles	Artikelbeschreibung	Decripción artículos	N° pezzi - No. pieces					
1	22016100	Resistenza superiore 650w	650w higher heating element	RÉsistance superieur 650w	Oberer widerstand 650w	Resistencia superior 650w						1
2	22016500	Resi. infer.350w-230v per e6sp6b	11500w 230v he. element e6sp6b	RÉsistance 11500w 230v e6sp6b	Widerstand 11500w 230v e6sp6b	Resistencia 11500w 230v e6sp6b						1
3	22056600	Interruttore luminoso 250v.	Lamp-switch 250v	Interrupteur lumineus 250v	Lampe-schalter 250v	Interruptor luminoso 250v						1
4	22184600	Morsettiera steatite 2 poli pe	2-pole steatite terminal board	Bornier en stÉatite 2 pÔles	2-pol-klemmenleiste aus speckstein	Bornera en esteatita 2 polos						1
5	22506400	Ba1/1 bacin. 1/1gn 150mm inox	Inox tray 1/1gn 150mm inox	Cuvette inox 1/1gn 150mm inox	Rostfr. wanne 1/1gn 150mm inox	Cubeta inox 1/1gn 150mm inox						1
6	30183800	Morsettiera a 3 poli fv 110 b	Terminal board 3 poles	Bornier 3 poles	Klemmenleiste	Bornera 3 polos						1
8	36838000	Fondo scolapatate e6sp6b/m s.600	Drip-pommes frites bottom s.600	Fond Égoutte pomme frites s.600	Abgiess pommes frites boden s.600	Fondo reposa patatas s.600						1
9	24684200	Piedino inox 1 1/2 h-125/175	Foot 1 1/2 h-125/175	Pied 1 1/2 h-125/175	Fuss 1 1/2 h-125/175	Pata 1 1/2 h-125/175						4