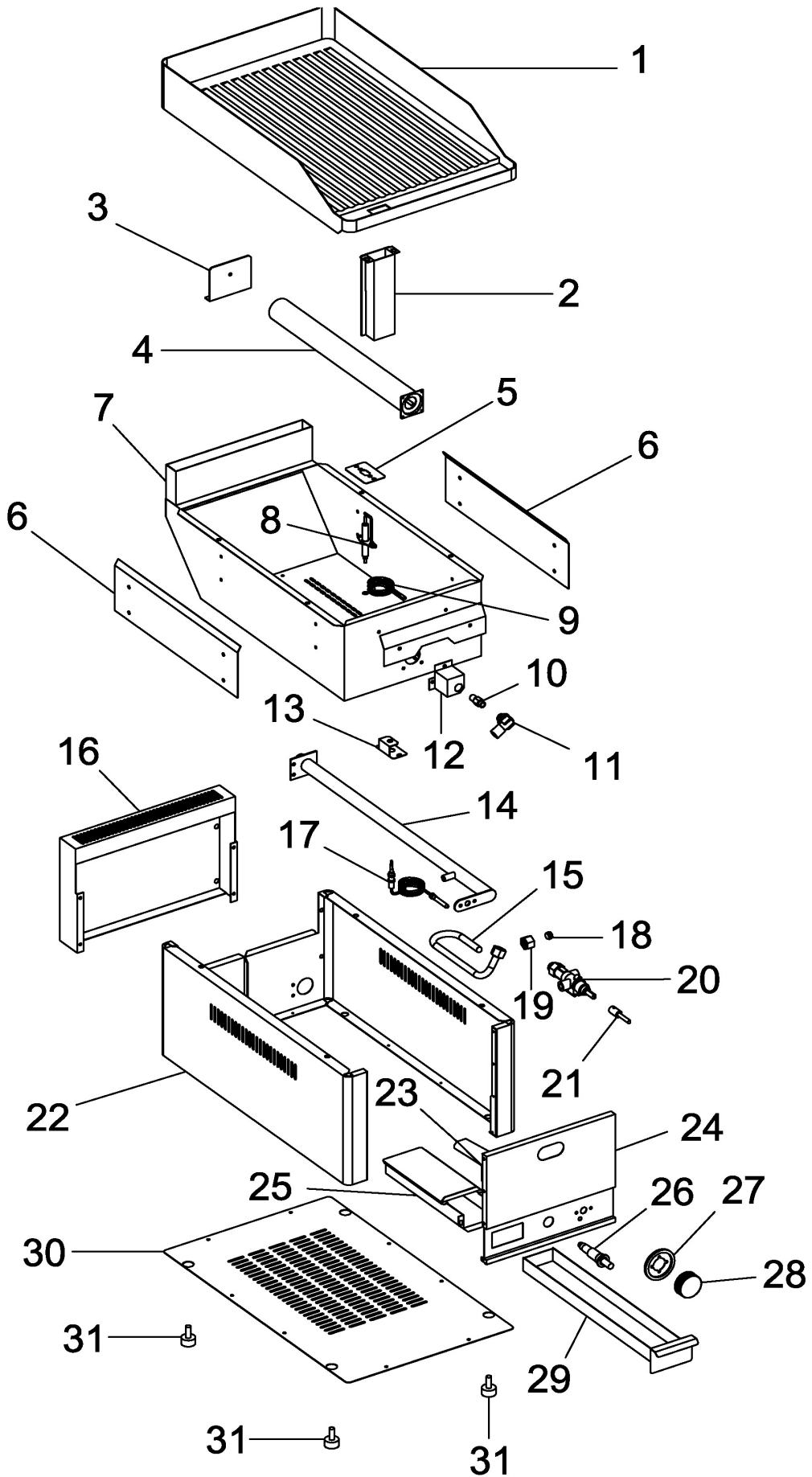


FRY1-2RM-LM-LRM



FRY1-2RM-LM-LRM

Pos. Ref.	Codice Code	Caratteristiche Features	Descrizione Description	
1	CO0358	(FRY1RM) grooved	Piano	Surface
1	CO0360	(FRY1LM) smooth	Piano	Surface
1	CO0361	(FRY2LM) smooth	Piano	Surface
1	CO0362	(FRY2LRM) smooth-grooved	Piano	Surface
4	CO4900	●	Bruciatore gas	Gas burner
8	CO4896		Candela	Ignition plug
9	CO4895		Cavo	Cable
10	CO4899	● ø1,35 (20mbar)	Iniettore metano	Methane injector
10	CO4898	● ø0,93 (28÷30mbar)	Iniettore GPL	LPG injector
10	CO4897	● ø0,77 (50mbar)	Iniettore GPL	LPG injector
11	CO0884		Raccordo	Nipple
16	CO0680		Coperchio	Cover
17	CO4893	●	Termocoppia	Thermocouple
20	CO4891		Rubinetto gas	Gas cock
21	CO4892		Perno	Pivot
26	CO4894		Accenditore piezoelettrico	Piezoelectric igniter
27	CO4904		Ghiera	Locking ring
28	CO4890		Pomello	Knob
29	CO0493		Cassetto	Tray
31	CO4903		Piedino	Foot

(*): fuori produzione / out of production

● : ricambio consigliato / spare part suggested