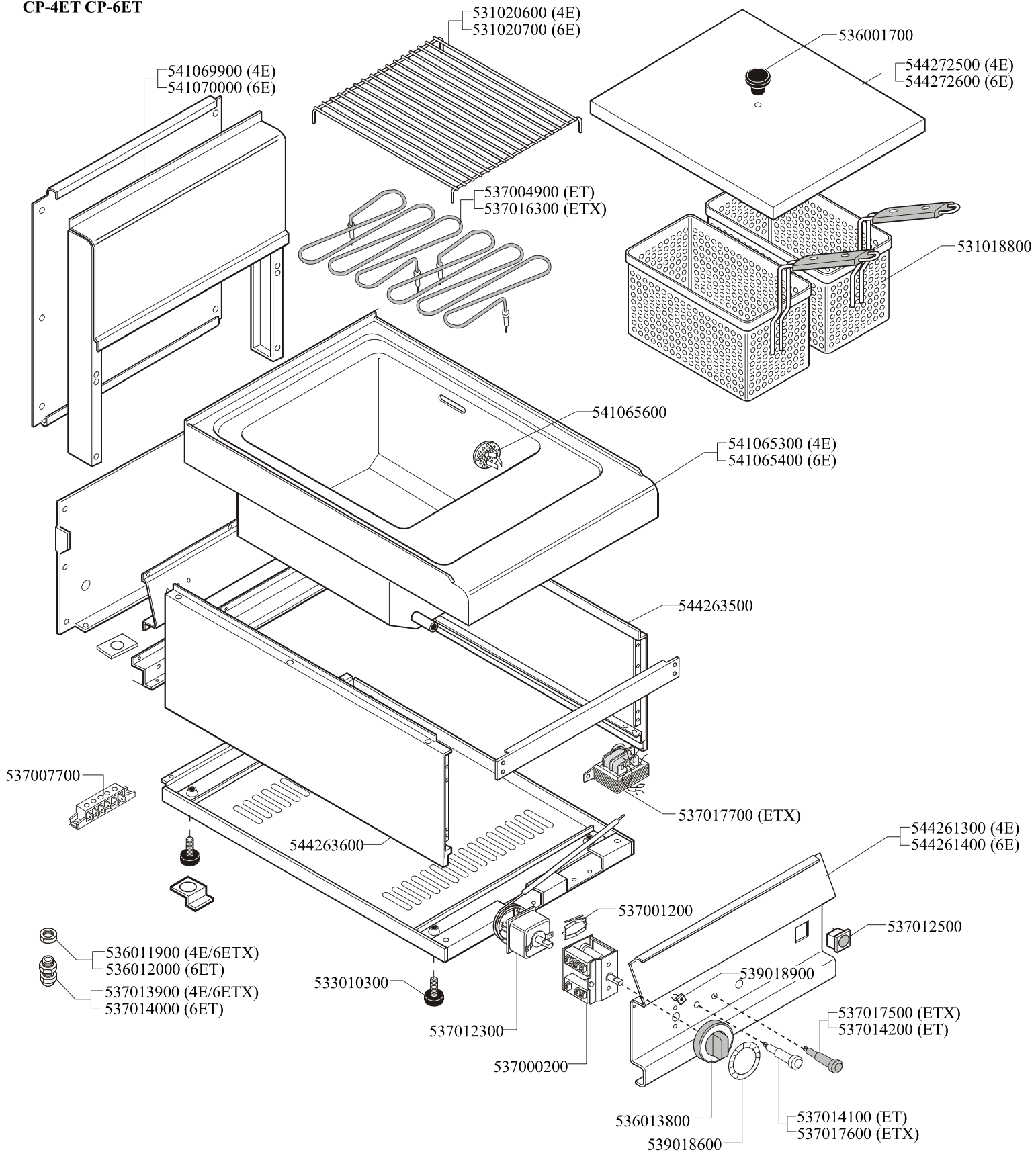
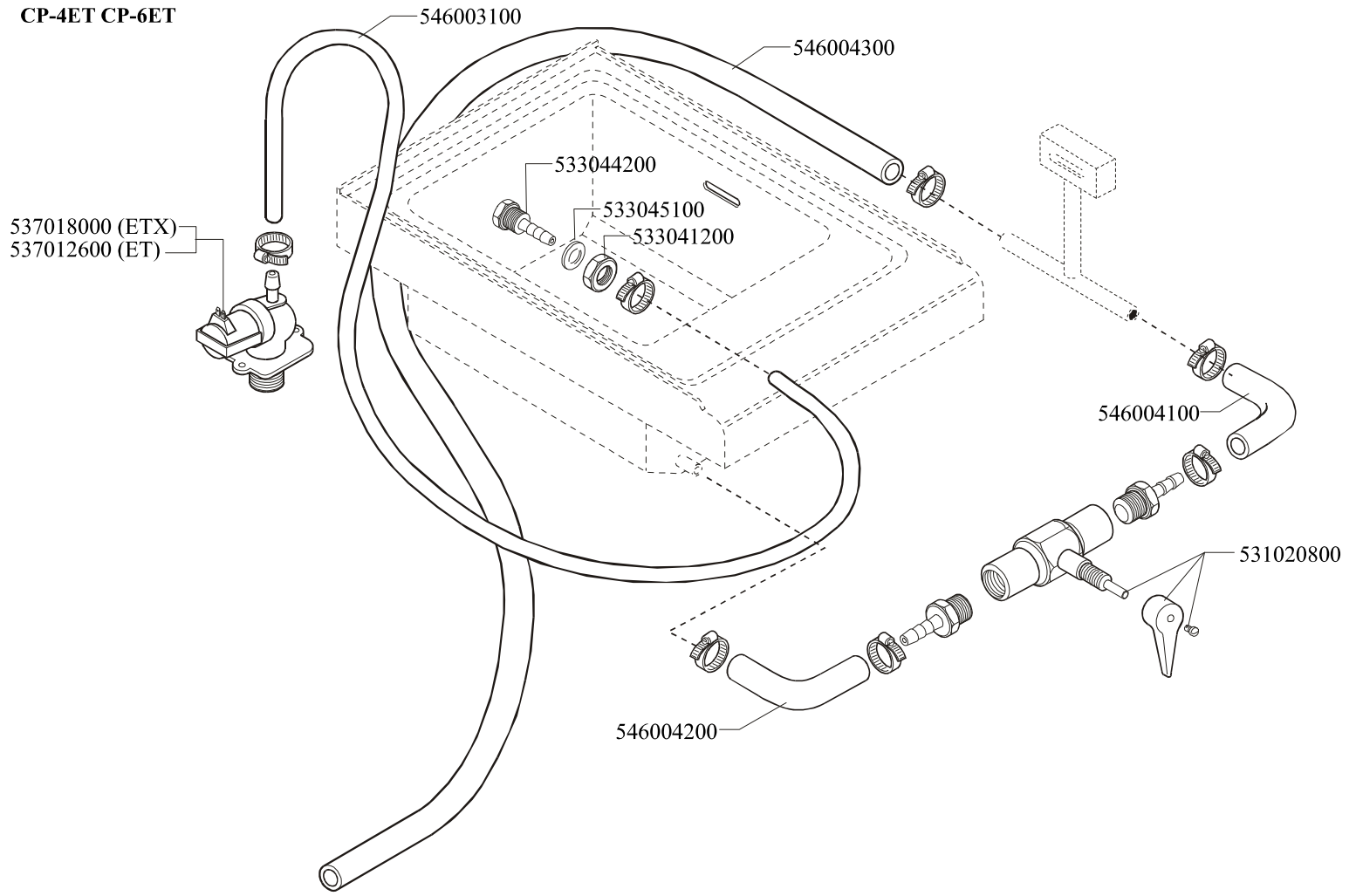


CP-4ET CP-6ET



CP-4ET CP-6ET



Page	Pos	Code	Description
001		541070000	NEUTRAL SPACER 6
001		531020700	GRID FOR CP-6E
001		537004900	HEATING ELEMENT W2000 V230 CP
001		536001700	GRIP D.25*19*M6
001		544272600	TANK LID CP-6E
001		531018800	PASTACOOKER BASKET 150X292X150H
001		541065600	DRAIN FILTER CP-E 65
001		541065400	UPPER PLATE CP-6E
001		544263500	RIGHT SIDE S.65
001		544261400	CONTROL PANEL CP-6E
001		537012500	BUTTON 1POLE
001		537014200	GREEN WARNING LIGHT 250V
001		537014100	WHITE WARNING LIGHT 250V
001		539018900	INDEX FOR KNOB
001		539018600	ADHESIVE GRADUATED DISC FOR KNOB
001		536013800	KNOB D.70 BLACK 6*5 WITH SPRING
001		537001200	FIXING BRACKET FOR THERMOSTAT/COMM.
001		537000200	COMMUTATOR 1 POS. 3PHASE S.49 16A
001		537012300	THERMOSTAT 30/110°C THREEPHASE
001		533010300	ADJUSTABLE FOOT M10*20 D.23
001		537007700	TERMINAL BLOCK THREEPHASE 40A
001		544263600	LEFT SIDE S.65
001		536011900	HEXAGONAL LOCK NUT PG-16
001		536012000	HEXAGONAL LOCK NUT PG-21
001		537013900	CABLE SECURING CLAMP PG-16
001		537014000	CABLE SECURING CLAMP PG-21
002		546003100	RUBBER TUBE ϕ 1.10* ϕ E.18*950
002		537012600	VALVE IN3/4G OUT ϕ 12 180°230V
002		546004300	RUBBER TUBE ϕ 1.19* ϕ E.27*1300
002		533044200	H.20 INPUT FITTING
002		533045100	GASKET ϕ E24* ϕ I18*SP.1,5
002		533041200	HEXAGONAL NUT 3/8" G
002		546004100	RUBBER TUBE ϕ 1.19* ϕ E.27*L266
002		531020800	BALL VALVE 3/4"G F-F (1320PEL)
002		546004200	RUBBER TUBE ϕ 1.19* ϕ E.27*L156