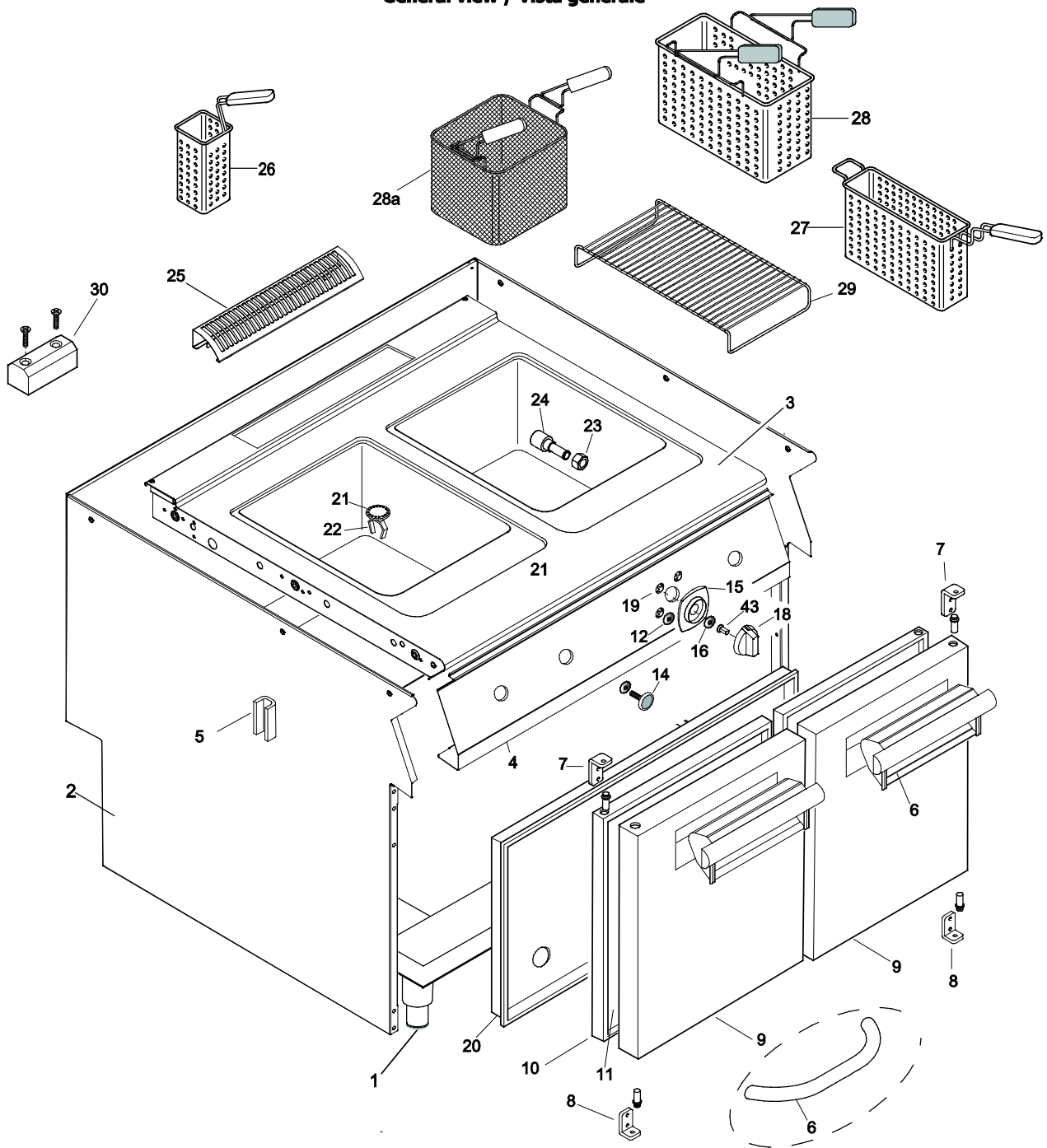


PNC	Model	Ref	Pag.	Brand	Version	Notes	
371090	E7PCGD1KF0	a		ELX	GAS	1X40 LT WELL	400MM
371091	E7PCGH2KF0	b		ELX	GAS	2X40 LT WELLS	800MM
371098	E7PCED1KF0	c		ELX	EL	1X40 LT WELL	400MM
371099	E7PCEH2KF0	d		ELX	EL	2X40 LT WELLS	800MM
372090	Z7PCGD1KF0	e		ZAN	GAS	1X40 LT WELL	400MM
372091	Z7PCGH2KF0	f		ZAN	GAS	2X40 LT WELLS	800MM
372098	Z7PCED1KF0	g		ZAN	EL	1X40 LT WELL	400MM
372099	Z7PCEH2KF0	h		ZAN	EL	2X40 LT WELLS	800MM
373090	A7PCGD1KF0	i		OEM	GAS	1X40 LT WELL	400MM
373091	A7PCGH2KF0	l		OEM	GAS	2X40 LT WELLS	800MM
373098	A7PCED1KF0	m		OEM	EL	1X40 LT WELL	400MM
373099	A7PCEH2KF0	n		OEM	EL	2X40 LT WELLS	800MM
373232	A7PCGD1KFK	o		KIP	GAS	1X40 LT WELL	400MM
373233	A7PCGH2KFK	p		KIP	GAS	2X40 LT WELLS	800MM
373234	A7PCED1KFK	q		KIP	EL	1X40 LT WELL	400MM

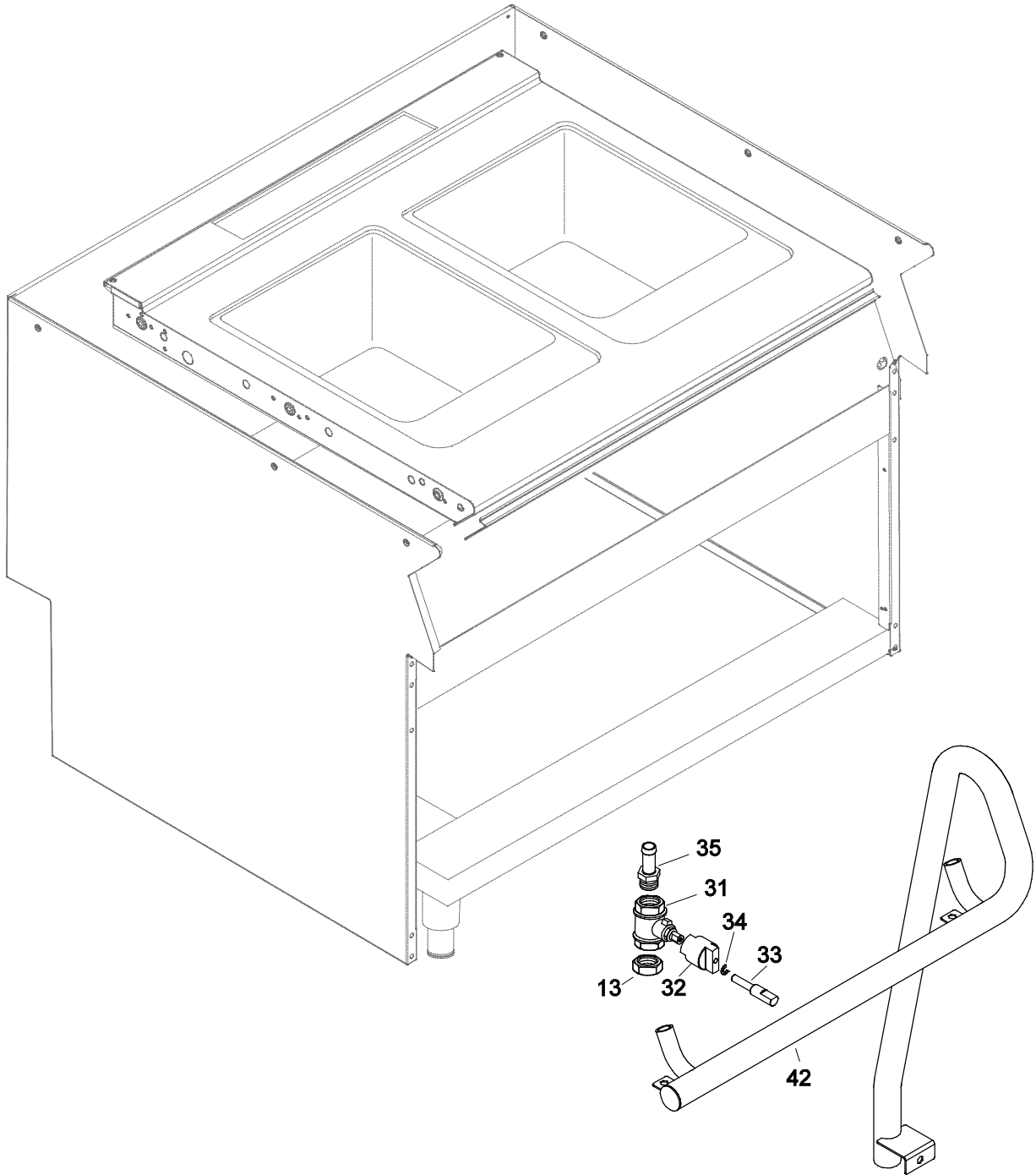
Pag	Index	Indice	Note
2	General view	Vista Generale	PDX2012-05
3	Idraulic circuit (water) UNTILL S/N 238	Componenti imp.idraulico (acqua) FINO A MATRICOLA S/N 238 -	
4	Idraulic circuit (water) FROM S/N 239 - UNTILL S/N 337	Componenti imp.idraulico (acqua) DA MATRICOLA 239- A MATRICOLA 337	
5	Gas components	Componenti Gas	
6	Electric components	Componenti elettrici	
7	Ugelli	Nozzels	
8,9, 10,11	Spare parts list	Lista ricambi	

Brand/Marchio: All  
 Factory code: 9PDX

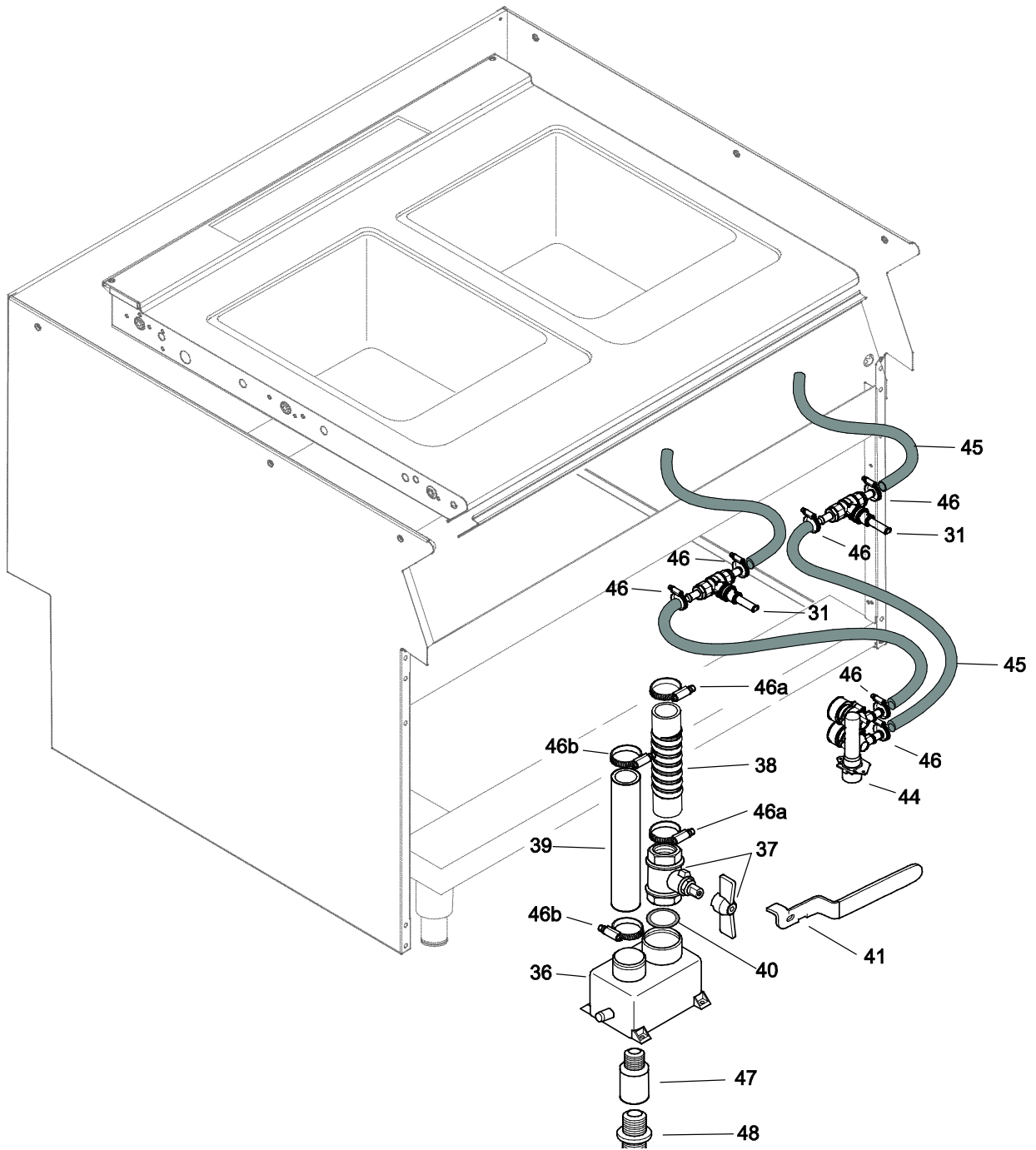
General view / Vista generale

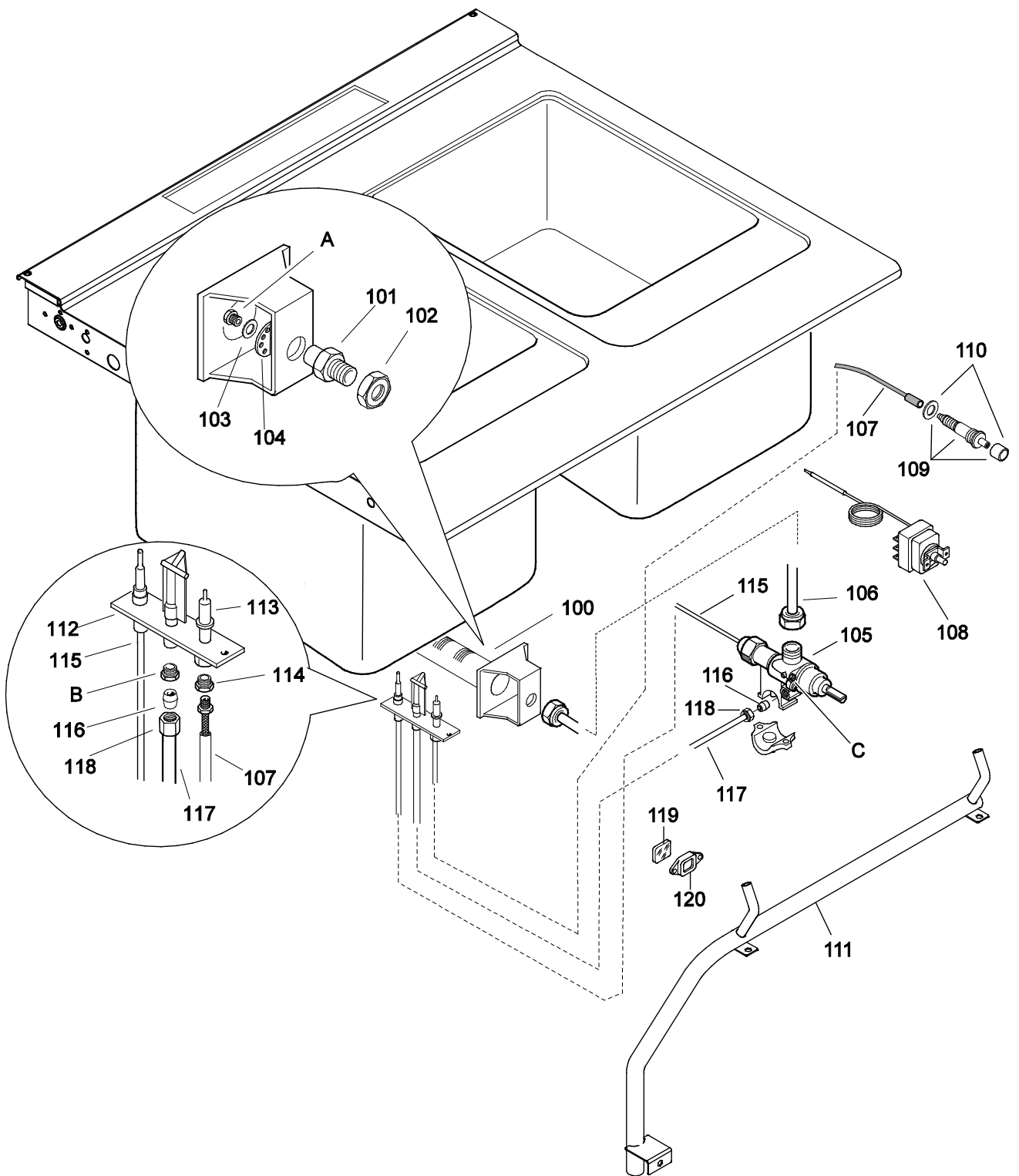


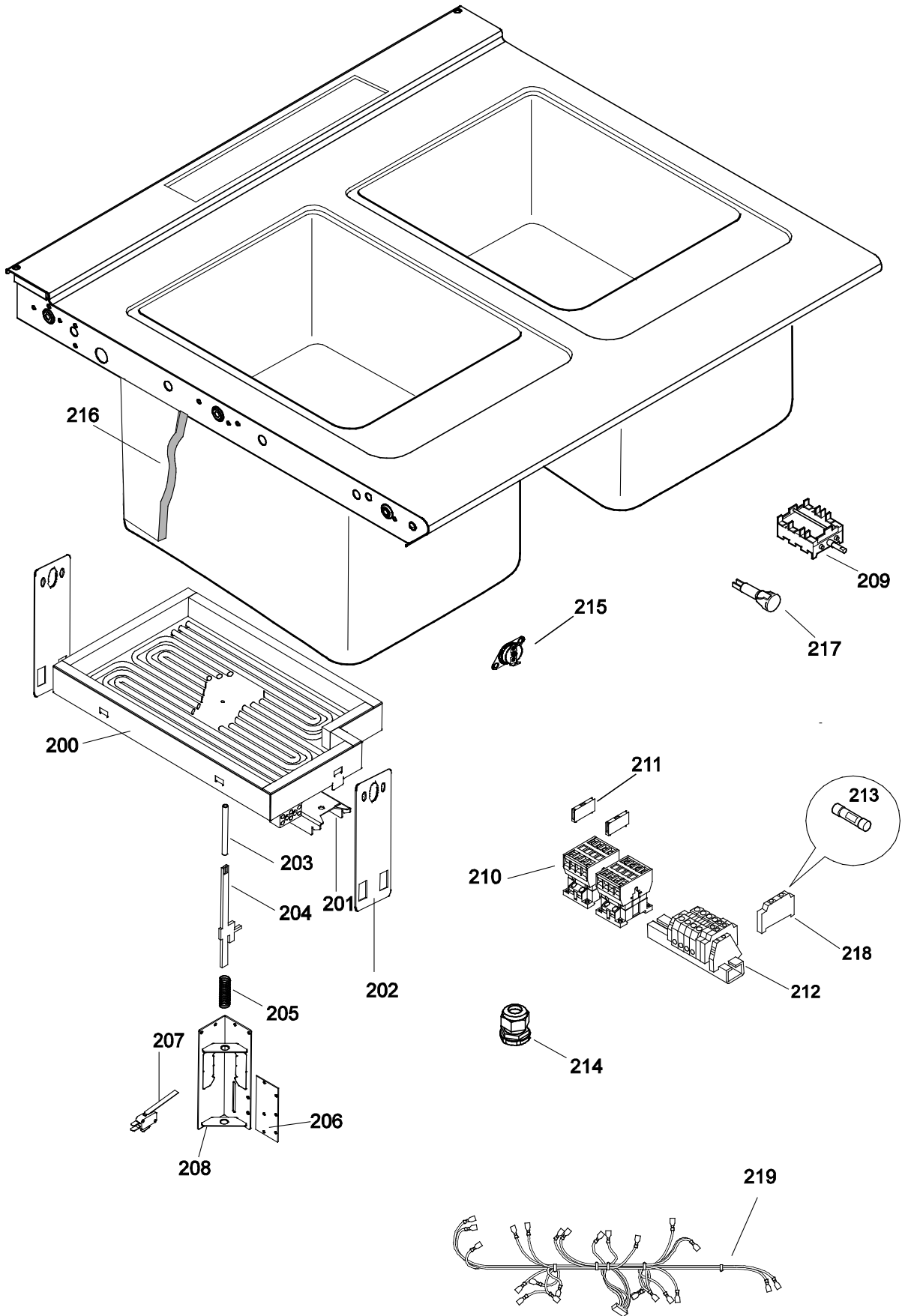
**FINO A MATRICOLA S/N 238 - UNTILL S/N 238**  
**Idraulic circuit (water) / Componenti impianto idraulico (acqua)**



FROM S/N 2 39 - DA MATRICOLA S/N 2 39  
UNTILL S/N 3 37 / FINO A MATRICOLA 3 37  
Idraulic circuit (water) / Componenti impianto idraulico (acqua)







Actual wire harness may be different from illustration.

<b>A - Ugello bruciatore / Burner nozzle</b>				
<b>Code</b>	<b>Spare Code</b>	<b>Reference</b>		
-	002267	ø2.45	2H/2E+	G20 20mbar
-	002865	ø2.30	2H	G20 25mbar
-	003371	ø2.75	2ELL	G25 20mbar
-	002268	ø2.60	2L	G25 25mbar
-	002268	ø2.60	2S	G25.1 25mbar
-	002905	ø1.60	3+3B/P	G30 30mbar
-	003722	ø1.55	3B/P	G30 36mbar
-	004488	ø1.40	3B/P	G30 50mbar
-	0C0551	ø2.85	No CE	G20 10mbar
	0C3079	Ø6.25	No CE	G110 8mbar

<b>B - Ugello Pilota / Burner nozzle</b>				
<b>Code</b>	<b>Spare Code</b>	<b>Reference</b>		
-	054037	n°25	2H/2E+	G20 20mbar
-	054037	n°25	2H	G20 25mbar
-	054037	n°25	2ELL	G25 20mbar
-	054037	n°25	2L	G25 25mbar
-	054037	n°25	2S	G25.1 25mbar
-	054286	n°24	3+3B/P	G30 30mbar
-	054286	n°24	3B/P	G30 36mbar
-	054286	n°24	3B/P	G30 50mbar
-	054037	n°25	No CE	G20 10mbar
	054038		No CE	G110 8mbar

<b>C - Vite Minimo / Min Screw</b>				
<b>Code</b>	<b>Spare Code</b>	<b>Reference</b>		
-	003182	140	2H/2E+	G20 20mbar
-	003182	140	2H	G20 25mbar
-	003182	140	2ELL	G25 20mbar
-	003182	140	2L	G25 25mbar
-	003182	140	2S	G25.1 25mbar
-	002770	85	3+3B/P	G30 30mbar
-	002770	85	3B/P	G30 36mbar
-	002769	75	3B/P	G30 50mbar
-	003182	140	No CE	G20 10mbar

**COUOCI PASTA E700 XP  
PASTA COOKER E700 XP**

<i>Pos</i>	<i>Factory Code</i>	<i>Spare Part Code</i>	<i>Descrizione</i>	<i>Description</i>	<i>Ref./Note</i>
1	835856900	0C0204	PIEDE	FOOT	
2	85089FD01	*	ASSIEME FASCIA 400	SIDE PANEL 400	a,c
2	85089FF01	*	ASSIEME FASCIA 800	SIDE PANEL 800	b,d
2	85089FH01	*	ASSIEME FASCIA 400	SIDE PANEL 400	e,g,i,m, O,Q
2	85089FJ01	*	ASSIEME FASCIA 800	SIDE PANEL 800	f, h, l, n,P
3	87089BK01	0C7218	RIPIANO / VASCA 400 MM	WORKTOP / TANK 400mm	a
3	87089BL01	*	RIPIANO / VASCA 800 MM	WORKTOP / TANK 800mm	b
3	87089BM01	0C7628	RIPIANO / VASCA 400 MM	WORKTOP / TANK 400mm	c
3	87089BN01	0C7629	RIPIANO / VASCA 800 MM	WORKTOP / TANK 800mm	d
3	87089MC01	0C7632	RIPIANO / VASCA 400 MM	WORKTOP / TANK 400mm	e, i, o
3	87089MD01	0C7633	RIPIANO / VASCA 800 MM	WORKTOP / TANK 800mm	f, l, p
3	87089BR00	*	RIPIANO / VASCA 400 MM	WORKTOP / TANK 400mm	g, m, q
3	87089BS00	*	RIPIANO / VASCA 800 MM	WORKTOP / TANK 800mm	h, n
4	85089BF00	0C7620	CRUSCOTTO 400mm	CONTROL PANEL 400mm	c
4	85089AF00	0C7136	CRUSCOTTO 800mm	CONTROL PANEL 800mm	d
4	85089AB00	0C7135	CRUSCOTTO 400mm	CONTROL PANEL 400mm	a
4	85089BD00	0C7138	CRUSCOTTO 800mm	CONTROL PANEL 800mm	b
4	85089FN00	0C7389	CRUSCOTTO 400mm	CONTROL PANEL 400mm	g
4	85089FP00	0C7390	CRUSCOTTO 800mm	CONTROL PANEL 800mm	h
4	87089GY00	0C7222	CRUSCOTTO 400mm	CONTROL PANEL 400mm	e
4	85089FM00	0C7388	CRUSCOTTO 800mm	CONTROL PANEL 800mm	f
4	502899K00	0C8024	CRUSCOTTO 400mm	CONTROL PANEL 400mm	i,O
4	502899Y00	0C8025	CRUSCOTTO 800mm	CONTROL PANEL 800mm	l,P
4	502899Z00	0C8026	CRUSCOTTO 400mm	CONTROL PANEL 400mm	m,Q
4	502899N00	0C8027	CRUSCOTTO 800mm	CONTROL PANEL 800mm	n
5	527850500	0C0156	PIASTRA FISSAGGIO FIANCHI	SIDE PANEL JOINTING PLATE	
6	51589A700	0C7164	MANIGLIA	HANDLE	a,b,c,d
6	54887A800	0C8190	MANIGLIA	HANDLE	e,f,g,h
6	854864203	0A5021	MANIGLIA	HANDLE	i,l,m,n,O,P,Q
7	516860901	0C0139	CERNIERA SUP.	UPPER. HINGE, DOOR	
8	516860801	0C0138	CERNIERA INF.	BOTTOM HINGE, DOOR	
9	50389G300	0C7157	PORTA	DOOR	a,b,c,d, e,f,g,h
9	50389G300	0C7157	PORTA	DOOR	i,l,m,n, O,P,Q
10	50489CQ00	0C7158	CONTROPORTA	INNER DOOR OVEN	
11	565819900	0C4433	DISTANZIALE PORTA	DOOR SPACER	
*	85089AA02	0C7156	ASSIEME PORTA NO MANIGLIA	COMPLETE DOOR NOT HANLE	
12	541813800	0C6171	RONDELLA IN SILICONE	SILICONE WASHER	
13	516875100	0C8993	CONTRODADO	NUT	
14	830898200	0C0201	MAGNETE	MAGNET, DOOR	
15	548877Y00	0C7134	GHIERA COMMUTATORE ELETTRICO	RING, KNOB SWITCH ELECTRIC	Electric, ELX
15	548876G01	0C6802	GHIERA RUBINETTO ACQUA	RING, KNOB WATER REGULATION	Water ELX
15	548877X00	0C7178	GHIERA RUBINETTO GAS	RING, KNOB GAS REGULATION	Gas, ELX
15	54887A400	0C7386	GHIERA COMMUTATORE ELETTRICO	RING, KNOB SWITCH ELECTRIC	Electric,ZAN, OEM, KIP
15	54887A300	0C7938	GHIERA RUBINETTO GAS	RING, KNOB GAS REGULATION	GAS,ZAN, OEM,KIP
15	548879H00	0C7385	GHIERA RUBINETTO ACQUA	RING, KNOB WATER REGULATION	Water,ZAN, OEM, KIP
16	543821000	053816	GUARNIZIONE X MANOPOLA	GASKET, KNOB	
17	*	*	PIASTRINA SCARICO	DRAIN PLATELET INDICATOR	
18	511850G01	0C6670	MANOPOLA GAS ED ACQUA	KNOB GAS AND WATER TAP	a,b,c,d, Untill s/n 220 PDX2012-05
18	54887AW00	0C8646	MANOPOLA GAS ED ACQUA	KNOB GAS AND WATER TAP	a,b,c,d, after s/n 221 PDX2012-05
18	548878001	0C7180	MANOPOLA RUBINETTO ACQUA	KNOB WATER TAP	e,f,g,h
18	548878201	0C7232	MANOPOLA GAS E COMMUTATORE	KNOB, GAS AND REGULATOR	e,f,g,h
18	548865700	0C1380	MANOPOLA RUBINETTO ACQUA	KNOB WATER TAP	i,l,m,n
18	548865500	0A5621	MANOPOLA GAS E COMMUTATORE	KNOB, GAS AND REGULATOR	i,l,m,n
18	548876V00	0C8295	MANOPOLA	KNOB	O,P,Q
18	548876X00	0C6747	MANOPOLA GAS E COMMUTATORE	KNOB, GAS AND REGULATOR	O,P,Q
19	218912211	069567	MOLLETTA PER GHIERA	RING, RING KNOB	
20	50489CR02	0C8212	PANNELLO FRONTALE 400mm	FRONTAL PANEL 400mm	Up to 3191...



**COUOCI PASTA E700 XP  
PASTA COOKER E700 XP**

<i>Pos</i>	<i>Factory Code</i>	<i>Spare Part Code</i>	<i>Descrizione</i>	<i>Description</i>	<i>Ref./Note</i>
20	50489CR03	OCA416	PANNELLO FRONTALE 400mm	FRONTAL PANEL 400mm	From 3201...
20	50489D403		PANNELLO FRONTALE 800mm	FRONTAL PANEL 800mm	
20*		OCA417	KIT pos. 20 (OCA416) + pos. 41 (OC9410)	KIT pos. 20 (OCA416) + pos. 41 (OC9410)	From 3201...
21	506864501	004836	FILTRO FONDO	BOTTOM FILTER	
22	514848300	054905	MOLLA PER FILTRO FONDO	SPRING, FILTER	
23	214105101	020997	CONTRODADO GETTO	WATER TAP NUT	
24	511832001	0C5935	GETTO ACQUA	WATER TAP	
25	50389LP00	0C7333	GRIGLIA CAMINO	CHIMNEY GRID	
26	F921618	0C9225	KIT CESTELLO 105X160	KIT BASKET 105X160	KIT OF 2 LEFT + 2 RIGHT BASKET
26*	*	0C9226	KIT CESTELLO 105X160	KIT BASKET 105X160	2 RIGHT BASKET
26*	*	0C9227	KIT CESTELLO 105X160	KIT BASKET 105X160	2 LEFT BASKET
27	F921619	004873	CESTELLO 105X350	BASKET 105X350	
28	F921611	004874	CESTELLO 220X350	BASKET 220X350	
28a	F921610	004875	CESTELLO 220X170	BASKET 220X170	
29	F921606	004876	GRIGLIA DI FONDO	FALSE BOTTOM, PASTA COOKER	
30	516860702	0C0137	PIASTRA GIUNZIONE APPARECC.	JOINTING REAR PLATE	
31	835876801	0C8648	RUBINETTO CARICO ACQUA	INLET TAP	From s/n 239
31*	A05001400	056843	VALVOLA CARICO ACQUA	INLET VALVE	Untill s/n 238 TB PDX2013-03
32*	A05537100	0A2563	ADATTATORE VALVOLA	VALVE ADAPTER	Untill s/n 238
33*	51489AX00	0C7229	PERNO MANOPOLA	HINGE KNOB	Untill s/n 238
34*	219034011	*	SEGER	SEGER	Untill s/n 238
*	80589AP01	0C7193	ASSIEME VALVOLA CARICO ACQUA	COMPLETE INLET VALVE	Untill s/n 238
35	514839100	0C5056	PORTAGOMMA	PIPE CONNECTION	Untill s/n 238
36*	544825900	0C6907	RACCORDO DI SCARICO	DRAIN JUNCTION	
37*	80589A301	0C6799	VALVOLA SCARICO	DRAIN VALVE	
*	855899X00	0C6953	ASSIEME RACCORDO DI SCARICO	COMPLETE DRAIN JUNCTION	TB PDX2013-04 POS: 36+37+40
38	544825Q00	0C9199	TUBO SCARICO	DRAIN PIPE	LENGTH 160MM
39	544825H00	*	TUBO TROPPO PIENO	TOO FULL PIPE	LENGTH 510MM
40	543827500	0C6800	OR	OR	
40*	516899A01	0C8456	ANELLO DI FISSAGGIO ELASTICO	RETAINING SPRING FOR VALVE	
41	50689DG00	0C9410	MANIGLIA SCARICO	HANDLE , WATER DISCHARGE	From 3201...
42	83089DB01	0C7194	RIBALTA ACQUA	WATER PIPING	1x40 WELL a,c,e,g,i,m Untill s/n 205
42	83089DC01	0C7623	RIBALTA ACQUA	WATER PIPING	2x40 WELL b,d,f,h,l,n Untill s/n 205
43	548877V00	0C7345	ADATTATORE MANOPOLA	KNOB, ADAPTER	a,b,c,d
44	544825K00	0C8501	FILTRO INGRESSO 2 VASCHE	INLET FILTER 2 WELLS	TB PDX2013-03
44	544825J00	0C8502	FILTRO INGRESSO 1 VASCHE	INLET FILTER 1 WELLS	TB PDX2013-03
45	544825S00	0C9203	TUBO ENTRATA ACQUA	INLET WATER PIPE	TB PDX2013-03 From s/n 239 , 2METERS
46	518613100	049888	FASCETTA PICCOLA CARICO ACQUA	SMALL CLAMP BAND INLET WATER	TB PDX2013-03 From s/n 239
46a	518825C00	0C9201	FASCETTA GRANDE SCARICO ACQUA	BIG CLAMP BAND DISCHARGE W.	TB PDX2013-03 From s/n 239
46b	518613300	0L2728	FASCETTA GRANDE TROPPOPIENO	BIG CLAMP BAND OVERFLOW.	TB PDX2013-03 From s/n 239
47	511851900	0C9205	MANICOTTO	EXTENSION	
48	511851800	0C9204	NIPPLO 1" 7/1	GAS CONNECTION 1" 7/1	
100	83089D301	0C6795	BRUCIATORE	BURNER	
101	514829700	054118	PORTAUGELLO	INJECTOR HOLDER	
102	214105101	020997	CONTRODADO	LOCK NUT	
103	506833401	054029	GUARNIZIONE	GASKET	
104	830828001	054039	AERATORE	AERATOR	

**COUOCI PASTA E700 XP  
PASTA COOKER E700 XP**

<i>Pos</i>	<i>Factory Code</i>	<i>Spare Part Code</i>	<i>Descrizione</i>	<i>Description</i>	<i>Ref./Note</i>
105	835875R00	0C7371	RUBINETTO GAS	GAS TAP	Untill s/n 220 PDX2012-05
105	835875R01	0C8647	RUBINETTO GAS	GAS TAP	From s/n 221 PDX2012-05
106	80589AN00	*	CONDOTTA GAS	GAS PIPE	
107	80589BY00	0C9198	NUOVO CAVETTO ACCENSIONE CON GUAINA	NEW SPARK PLUG CABLE(sheathed)	700MM - LONG
108	646810102	005931	LIMITATORE	LIMITER	
109	835834901	0C9240	NUOVO KIT ACCENDITORE (ACC+TAPPO+RONDEL)	NEW KIT IGNITER (IGN+BUTTON+WASHER)	From wk 222
109	835834900	002605	VECCHIO KIT ACCENDITORE (ACC+TAPPO+RONDEL)	OLD KIT IGNITER (IGN+BUTTON+WASHER)	Untill wk 221, then out of production
109	835829601	059251	ACCENDITORE	IGNITER	Tutti pnc / all pnc
109	541809001	0C9407	NUOVO TAPPO DI GOMMA	NEW RUBBER TOP BUTTON	-From wk 222, interchangeable on 0C9240
109	516814601	0C9408	NUOVO RONDELLA	NEW WASHER	-From wk 222, interchangeable on 0C9240
110	*	0C9409	TAPPO DI GOMMA + RONDELLA	RUBBER TOP BUTTON + WASHER	From wk 222 interchangeable on 0C9240
111	83089DD00	0C8030	RIBALTA GAS	INLET GAS PIPING	1x40 WELL a,c,e,g,i,m
111	83089DA00	0C8031	RIBALTA GAS	INLET GAS PIPING	2x40 WELL b,d,f,h,l,n
112	830828100	054032	BRUCIATORE PILOTA	PILOT BURNER	
113	330272401	052610	ELETTRODO; ACCENSIONE	ELECTRODE	
114	214164400	052125	RACCORDO	PIPE FITTING	
115	831818901	0C3162	TERMOCOPPIA INTERROTTA	THERMOCOUPLE	
116	515827401	053665	BICONO	DOUBLE CONE	
117	51589A901	0C8032	CONDUTTURA PILOTA	PIPE, PILOT	
118	214164400	052125	RACCORDO	PIPE FITTING	
119	206260400	057382	VETRO SPIA	GLASS	
120	275290025	057400	CORNICE VETRO	FRAME	
200	617839900	0C7625	RESISTENZA	HEATING ELEMENT	
<b>201</b>	<b>505899G00</b>	<b>OCA572</b>	<b>SUPPORTO RESISTENZA</b>	<b>HEATING E. SUPPORT</b>	
202	538831803	*	SUPPORTO RESISTENZA	H.E. SUPPORT	
203	569807501	0C8182	BACCHETTA IN STEATITE	ROD	
204	511833002	0C5964	ASTA AZIONAMENTO MICRO	SLIDE BAR	
205	514828600	053819	MOLLA	SPRING	
206	246214023	045404	PIASTRINA ISOLANTE MICRO	MICRO INSULATION	
207	640800800	053671	MICRO-INTERRUTTORE	MICROSWITCH	
208	538831902	*	SICUREZZA MECCANICA	SECURITY SUPPORT	
209	641805101	0C7353	COMMUTATORE	SWITCH	
210	648807900	0C7622	CONTATTORE	CONTACTOR	
211	H58194500	*	CONTATTO AUSILIARIO	AUXILIARY CONTACT	
212	639806600	006854	MOSETTIERA (completa)	TERMINAL BOARD (assembly)	As picture 212
213	652806400	0C1884	FUSIBILE	FUSE	10a
214	544802300	0C0068	PASSACAVO	TOGHTENER CORD	
215	653800000	0C6155	PROTEZIONE TERMICA	THERMIC SECURITY	
216	560857402	*	ISOLAMENTO	INSULATION	
217	876800002	005010	LAMPADA VERDE	GREEN LAMP	
218	652603200	075737	PORTAFUSIBILE	FUSE HOLDER TERMINAL	
219	638899T02	*	CABLAGGIO ELETTRICO	WIRING HARNESS	c,g,m,Q
219	638899U02	*	CABLAGGIO ELETTRICO	WIRING HARNESS	d,h,n