

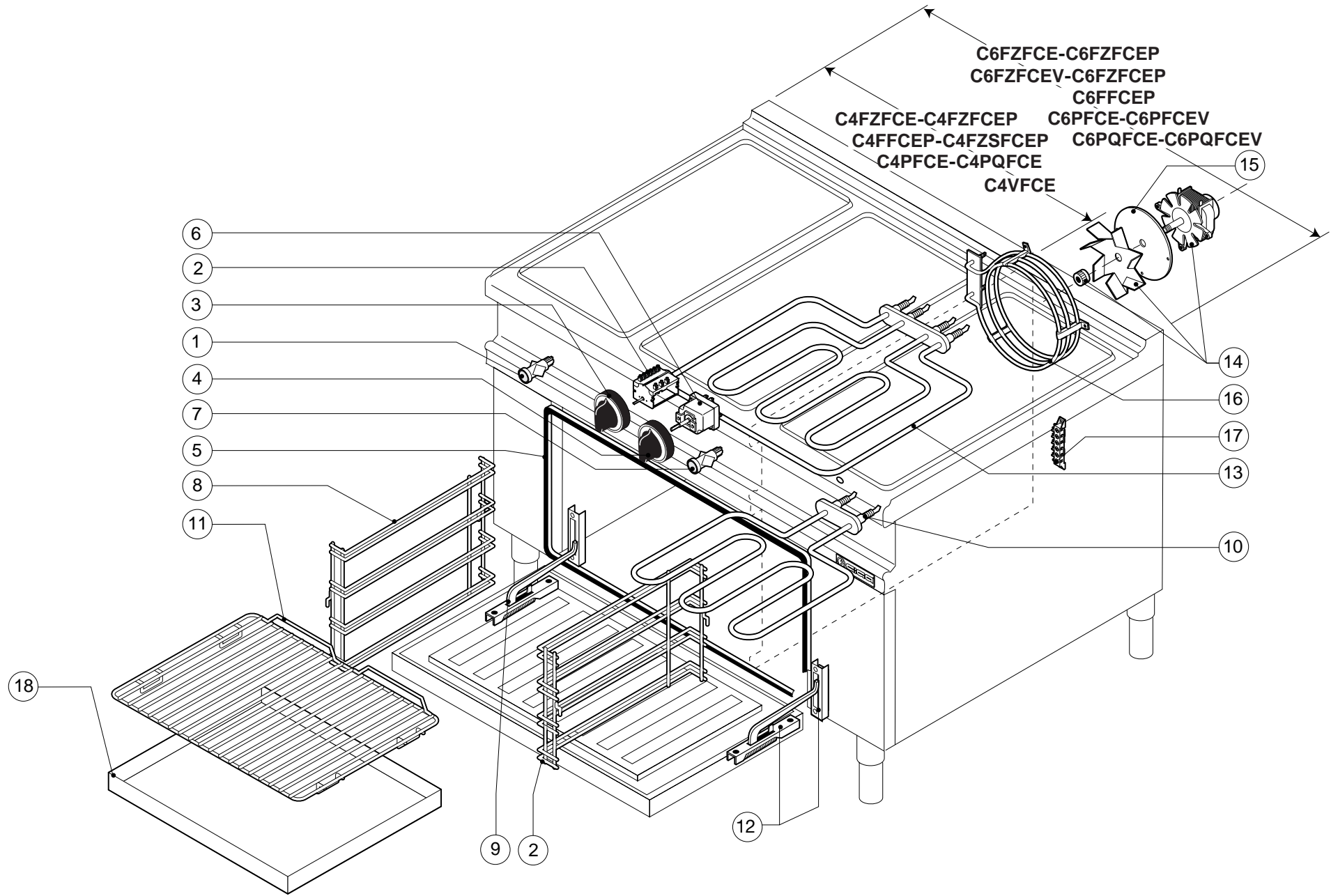
N.B.: La tavola si completa con la successiva n° - See table No. - Voir tableau n° - Wichtig: S. folgender Plan Nr.

3E05-007
 C4PQFCE - C6PQFCE
 C6PQFCEV

3E05-015

C2PQ - C4PQ - C6PQ
 C4PQFE - C6PQFE
 C4PQFCE - C6PQFCE - C6PQFCEV
 TCQ40E - TCQ80E - TCQ120E

Pezzi/Pieces Pieces/Anzahl					Pos.	Validità dalla matricola Validité du numéro matricule Validity from serial number Gültigkeit ab der (Seriennummer)	Validità alla matricola Validity up to serial number Validité au numéro matricule Gültigkeit bis zur (Seriennummer)	Codice Code Artikel Nummer	Descrizione	Description	Description	Beschreibung
C2PQ TCQ40E*	C4PQ TCQ80E*	C6PQ TCQ120E*	C4PQFE C4PFCE	C6PQFE° C6PQFCE° C6PQFCEV								
			6	6	1			X47000	Resistenza	Resistance	Resistance	Resistenz
4	4	4	4	4	2C			X61000	Piedino	Foot	Pied	Fuss
4*	4*	4*			2T			M06400	Piedino	Foot	Pied	Fuss
			1	1	3			X66000	Cerniera dx	R. H. Hinge	Charniere droite	Scharnier rechts
				1/0°	4			Y65500	Maniglia porta	Door handle	Pognée four	Turgriff
			1	1	5			X66100	Cerniera sx	L. H. Hinge	Charniere gauche	Scharnier links
			1	1	6			0000X05600	Guarnizione porta	Door seal	Joint porte	Türdichtung
			2	2	7			B85500	Reggigriglia dx-sx	L.H.-R.H. Grid support	Appui grille droite/gauche	Rostauflegeschiene R.-L.
			1	1	8			B88700	Suola	Floor	Sole	Boden
			1	1	9			G21P	Griglia	Grid	Grille	Rost
2	4	6	4	6	10			X50900	Lampada verde	Green light	Lampe vert	Grüne Kontrollampe
			1	1	11			0000Y65004	Manopola temperatura	Oven temp.	Cle de commande temper.	Drehknopf temp.
			1	1	12			X41200	Lampada gialla	Yellow light	Lampe jaune	Gelbe Kontrollampe
			1	1	13			X49700	Commutatore per term.	Therm. selector switch	Commutateur pour therm.	Schalter für Thermoelem.
			1	1	14			X44600	Staffa per collegamento	Connecting bracket	Collier de raccordement	Anschlussbügel
			1	1	15			X43900	Termostato 50-300°C forno	Oven thermostat 50-300°C	Thermostat 50-300°C four	Thermostat 50-300°C Ofen
			1	1	16			X44100	Commutatore 4 posizioni	4-Pos. selector switch	Commutateur 4 positions	4 Positionenschalte
			1	1	17			0000Y65007	Manopola forno 2/1	Oven knob 2/1	Cle de commande pour four 2/1	Drehknopf für Ofen 2/1
2	4	6	4	6	18			X45500	Piastra 2600 W	Plate 2600 W	Plaque 2600 W	Platte 2600 W
			1	1	19			X44800	Termostato di sicurezza	Safety thermostat	Thermostat de securite	Sicherheitsthermostat
1	1	1			20			X59000	Morsettiera	Terminal board	Barrette de raccordement	Klemmleiste
			1	1	21			Y65700	Maniglia forno	Oven handle	Poignée four	Backofengriff
			1	1	22			0000X53900	Morsettiera arrivo linea	Line-in term. board	Plaque à bornes réseau	Stromanschl. Klemme
2	4	6	4	6	23			0000Y65005	Manopola per piastre	Plate knob	Bouton plaques	Drehknopf für platten
2	4	6	4	6	24			X54100	Commutatore 7 posizioni	7-Pos. selector switch	Commutateur 7 positions	7 Positionenschalter
1	2	3	2	3	25			1550Y63500	Griglia scarico fumi	Smoke discharge grid	Grille évacuation des fumées	Rauchblassgitter



N.B.: La tavola si completa con la successiva n° - See table No. - Voir tableau n° - Wichtig: S. folgender Plan Nr.

•3E05-003
C4FFCEP-C6FFCEP

•3E05-012
C4FZFCE-C6FZFCEP
C4FZFCEV-C6FZFCEPV
C6FZFCEV-C6FZFCEPV
C4FZSFCEP

•3E05-014
C4PFCE-C6PFCE
C6PFCEV

•3E05-015
C4PQFCE-C6PQFCE
C6PQFCEV

•3E05-016
C4VFCE

3E05-007

C4FZFCE-C6FZFCE-C4FZFCEP-C6FZFCEP
C4FFCEP-C6FFCEP-C4FZSFCEP
C4PFCE-C6PFCE-C6PFCEV
C4PQFCE-C6PQFCE-C6PQFCEV
C6FZFCEV-C6FZFCEPV-C4VFCE



Pezzi/Pieces Pieces/Anzahl	Pos.	Validità dalla matricola Validité du numéro matricule	Validità alla matricola Validity up to serial number	Codice Code Artikel Nummer	Descrizione	Description	Description	Beschreibung
C4FZFCE - C6FZFCE - C4FZFCEP C6FZFCEP - C4FFCEP - C6FFCEP C4FZSFCEP - C4PFCE - C6PFCE- C6PFCEV -C4PQFCE - C6PQFCE - C6PQFCEV - C6FZFCEV C6FZFCEPV - C4VFCE		Validity from serial number Gültigkeit ab der (Seriennummer)	Validité au numéro matricule Gültigkeit bis zur (Seriennummer)					
1	1			X50900	Lampada verde	Green light	Lampe vert	Grüne Kontrolllampe
1	2			X68204	Commutatore	Selector switch	Commutateur	Schalter
1	3			0000X65008	Manopola commutatore	Selector knob	Bouton commutat.	Umschaltknopf
1	4			0000X65004	Manopola termostato	Knob thermostat	Cle de commande thermoc.	Drehknop thermostat
1	5			1000X05600	Guarnizione porta	Door seal	Joint porte	Türdichtung
1	6			X68205	Termostato	Oven thermostat	Thermostat	Thermostat
2	7			X41200	Lampada gialla	Yellow light	Lampe jaune	Gelbe kontrolllampe
1	8			V05900	Reggigriglia sx/dx	R.H. grid support	Appui grille gauche	Oberer heizwiderstand
1	9			X66100	Cerniera sx	L.H. hinge	Charniere gauche	Rostauflegeschiene L.
1	10			X68203	Resistenza inferiore	Bottom resistance	Resistance inferieure	Unterer heizwiderstand
1	11			G11PF	Griglia	Grid	Grille	Rost
1	12			X66000	Cerniera dx	R.H. hinge	Charniere droite	Scharnier rechts
1	13			X68202	Resistenza superiore	Top resistance	Resistance superieure	Oberer heizwiderstand
1	14			V03000	Motoventilatore	Electric fan	Moto-ventilateur	Motorventilator
1	15			V05400	Isolamento	Insulation	Isolation	Isolierung
1	16			X68002	Resistenza	Resistance	Resistance	Resistenz
1	17			X59200	Morsettiera	Terminal board	Barrette de raccordement	Klemmleiste
1	18			V05700	Suola forno	Oven floor	Sole four	Boden fen