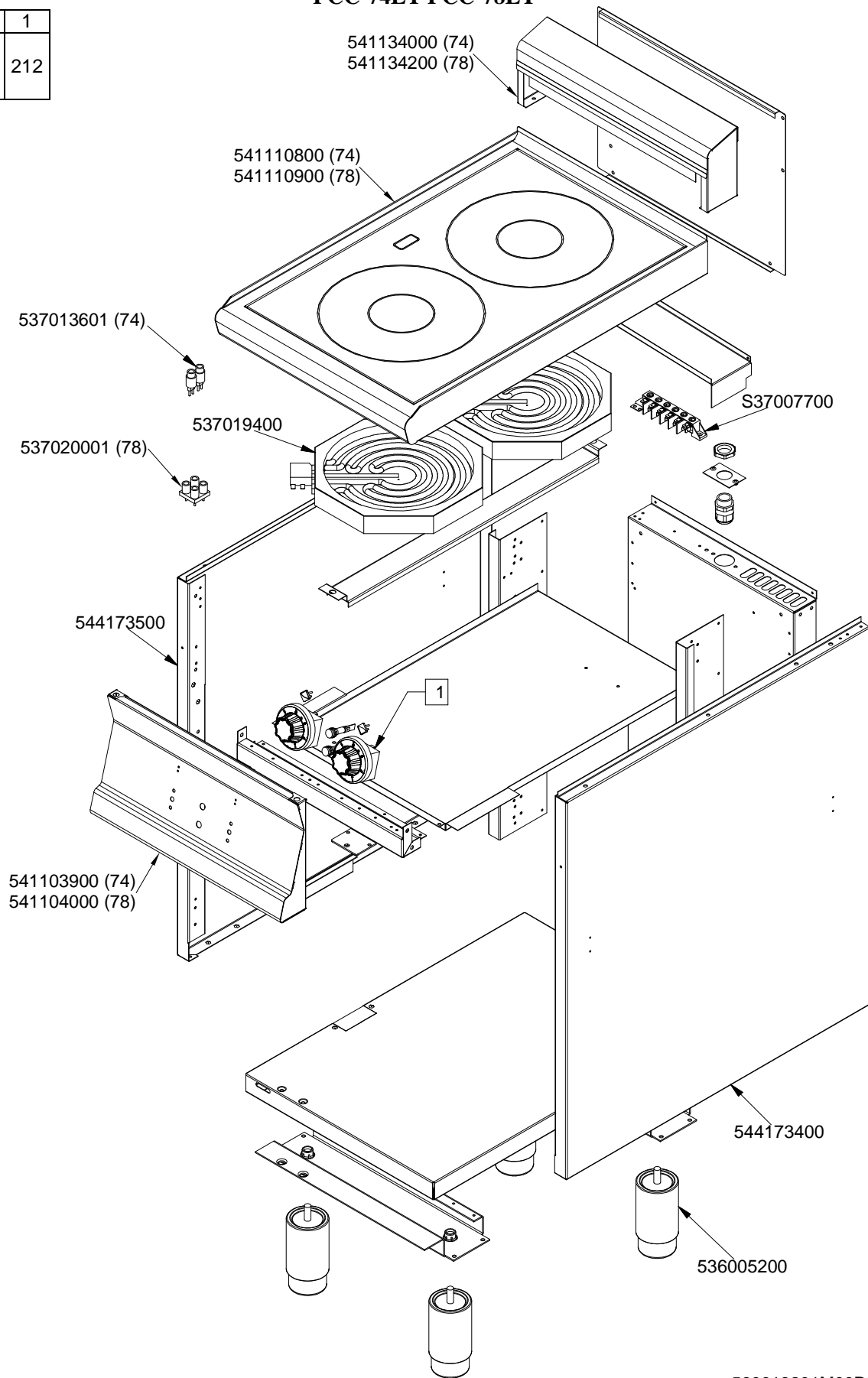


SUPERLOTUS 70≥0602

ELETTRICO / ELECTRIC / ELEKTRO / ELECTRIQUE

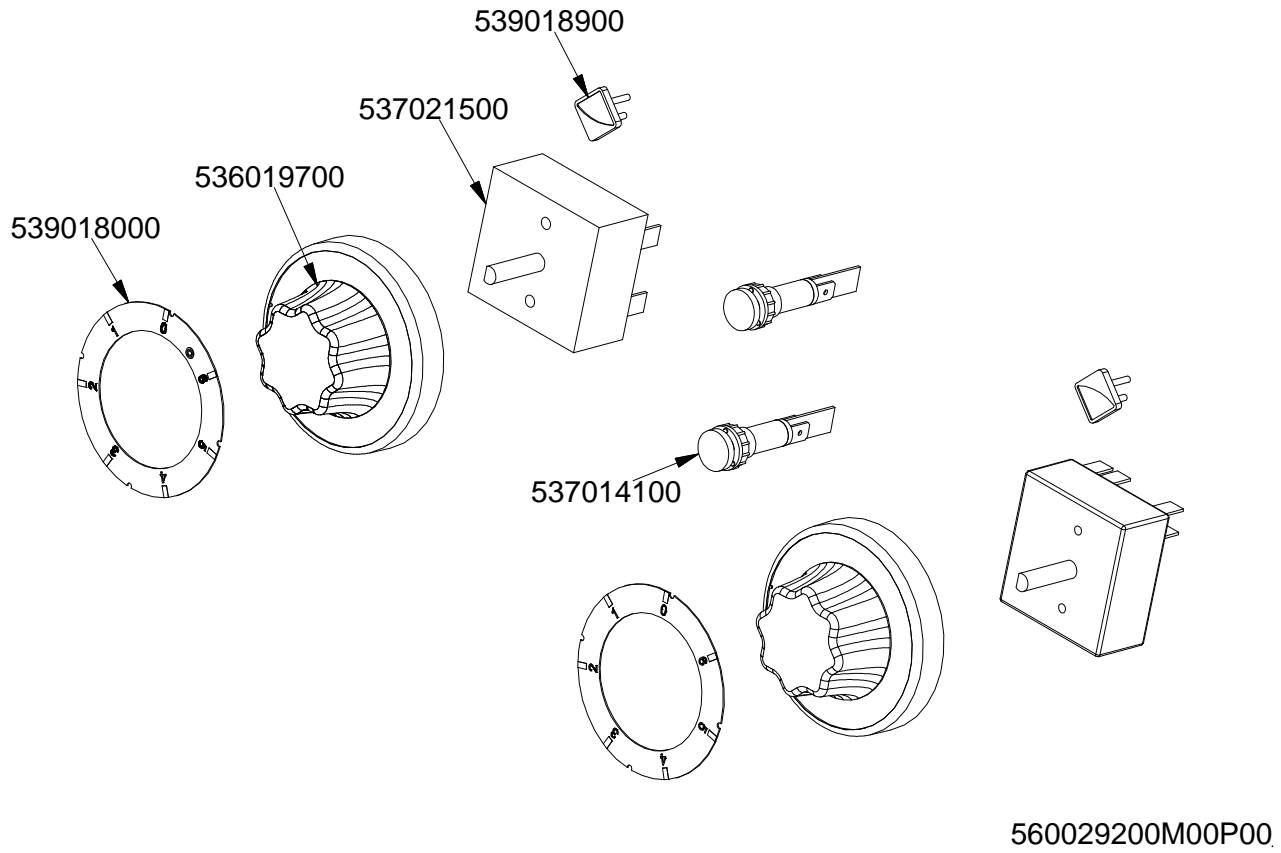
PCC-74ET PCC-78ET

	1
Vedi Pagina See Page Siehe Seite Voir Page Ver Página	212



560013201M00P00

PCC-E CFC-E



Page	Pos	Code	Description
001		541134200	NEUTRAL LOW SPACER 78
001		541110900	GLAS UPPER PLATE PCC-78E
001		537020001	REMAINING HEAT 4 PILOT LIGHTS UNIT
001		537019400	EL. PLATE PCC D250 1000+1400W 230V
001		537007700	
001		544173500	LEFT SIDE PANEL S.70
001		541104000	CONTROL PANEL PC-78E
001		544173400	RIGHT SIDE PANEL S.70
001		536005200	INOX LEG 2" 120-180 M10
002		539018900	INDEX FOR KNOB
002		537021500	REGULATOR FOR EL.PLATE 2CIRC.230V
002		536019700	BLACK KNOB §70 PIN §6*5
002		539018000	ADHESIVE GRAD.DISC 7POS.DOUBLE RED
002		537014100	WHITE WARNING LIGHT 250V