

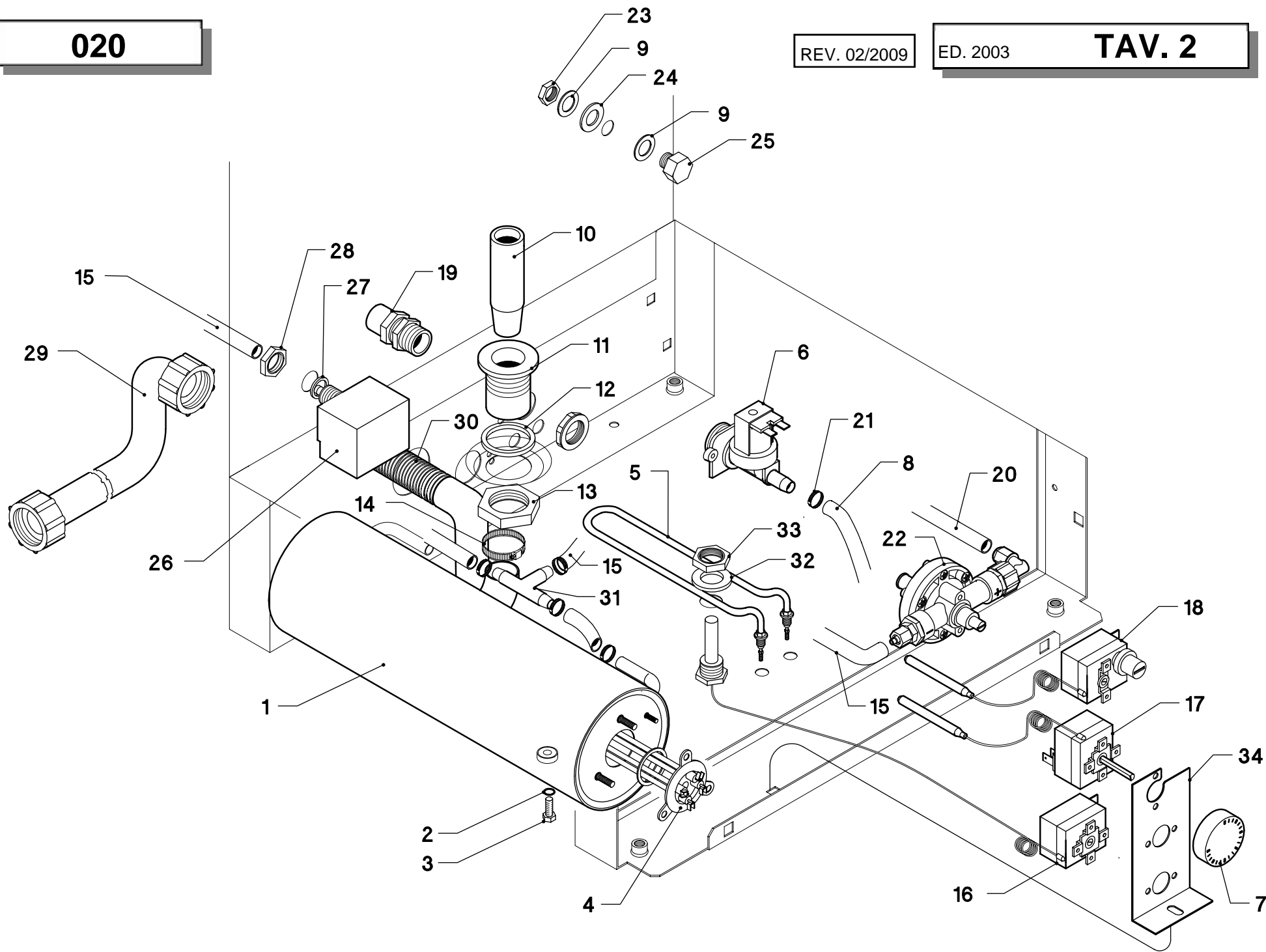
020

REV. 02/2009

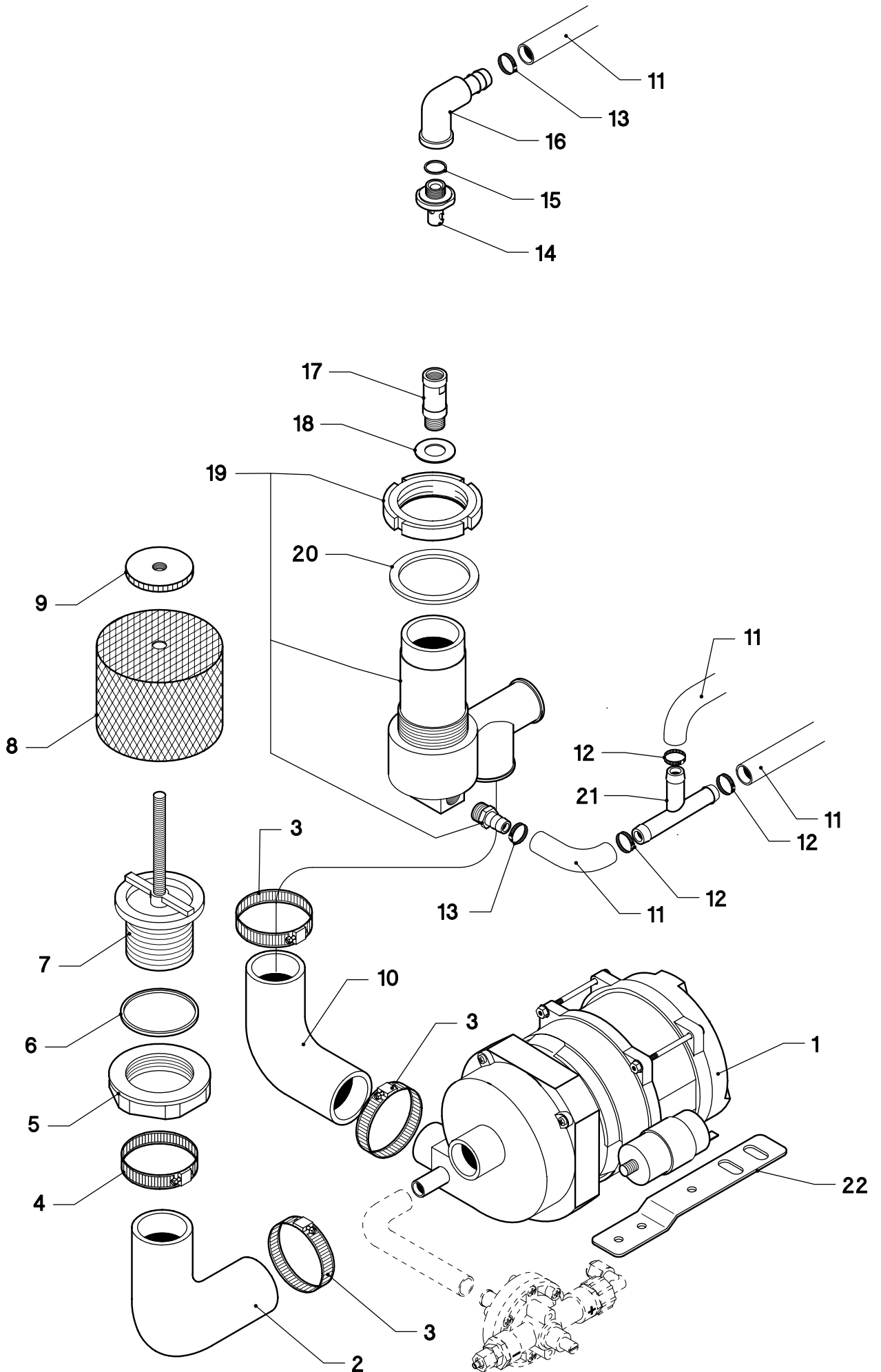
ED. 2003

TAV. 1

Pos.	COD.	Q.tà	DESCRIZIONE	DENOMINATION	DESCRIPTION	BEZEICHNUNG	DESCRIPCIÓN
1	901707	1	CARROZZERIA	CARROSSERIE	CABINET	KARROSSERIE	CARROCERIA
2	907142	4	PIEDINO REGOLABILE	PETIT PIED RÉGABLE	RUBBER LEG	EINSTELLBARESOCKEL	PIÉ REGULABLE
3	905073	1	PORTA	PORTE	DOOR	TÜR	PUERTA
4	903651	1	CUSTODIA CON MAGNETE	PROTECTION MAGNETO	COVER MAGNET	MAGNETSCHUTZ	ESTUCHE CON IMÁN
5	906121	1	SCROCCHETTO INOX	CLIQUET FERMETURE PORTE	DOOR CATCH	SCHNAPPVERSCHLUSS	SCROCCHETO
6	902023	1	DADO SCROCCHETTO	ECROU DU CLIQUET	NUT LATCH	KLINKENMUTTER	TUERCA
7	904795	2	PERNO PORTA	TOURILLON DE LA PORTE	DOOR PIN	TÜRSCHARNIERESTIFT	PERNO PUERTA
8	901245	2	CERNIERA	PATTE	DOOR SUPPORT	SCHARNIER	BISAGRA
9	904611	1	PANNELLO LATERALE DX	PANNEAU DROITE	RIGHT PANEL	RECHTE VERKLEIDUNG	PANEL DERECHO LATERAL
10	904612	1	PANNELLO LATERALE SX	PANNEAU GAUCHE	LEFT PANEL	LINKE VERKLEIDUNG	PANEL IZQUIERDO LATERAL
11	904613	1	PANNELLO SUPERIORE	PANNEAU SUPERIEUR	UPPER SIDE PANEL	OBERE VERKLEIDUNG	PANEL SUPERIOR
12	901711	1	PANNELLO POSTERIORE	PANNEAU POSTERIEUR	BACK PANEL	HINTERE VERKLEIDUNG	PANEL POSTERIOR
13	901728	1	PANNELLO INFERIORE	PANNEAU INFERIEUR	LOWER PANEL	UNTERE VERKLEIDUNG	PANEL INFERIOR
14	903935	1	MANIGLIA PORTA	MANILLE	HANDLE	KLINKE	MANILLA
15	901654	1	PROFILO MANIGLIA	LISTEAU MANILLE	HANDLETRIM	KLINKE PROFIL	PERFIL MANILLA



Pos.	COD.	Q.tà	DESCRIZIONE	DENOMINATION	DESCRIPTION	BEZEICHNUNG	DESCRIPCIÓN
1	900368	1	BOILER	CHAUFFE EAU	BOILER	HEISSWASSERSPEICHER	BOILER
2	904430	1	O-RING TAPPO BOILER	O-RING BOUCHON	O-RING PLUG	O-RING FROPFEN	O-RING TAPÓN
3	907820	1	VITE M8x12	VIS	SCREW	SCHRAUBE	TORNILLO
4	905496	1	RESISTENZA 2600W + OR	RESISTANCE + OR	HEATING ELEMENT + OR	HEIZKÖRPER + OR	RESISTENCIA + OR
5	905771	1	RESISTENZA 1600W	RESISTANCE	HEATING ELEMENT	HEIZKÖRPER	RESISTENCIA
6	902390	1	ELETTROVALVOLA A 1 VIA	SOUPAPE ELECTRIQUE	ELECTRIC VALVE	ELEKTROVENTIL	VALVULA ELETRICA
7	903982	1	MANOPOLA	BOUTON	KNOB	KNOPF	EMPUÑADURA
8	907295	1	TUBO GOMMA 12 x 19,5	TUYAU EN CAOUTCHOUC	RUBBER HOSE	GUMMISCHLAUCH	TUBO GOMA
9	906055	2	RONDELLA Ø10	RONDELLE	WASHER	UNTERLEGSCHIEBE	ARANDELA
10	907280	1	TROPPO PIENO	NIVEAU	OVER FLOW	VEBERLAUF	DAMISADO LLENO
11	905440	1	RACCORDO SCARICO 1"	RACCORD DÉCHARGÉ	PIPE FITTING FOR OUTLET	ABLAUFANSCHLUSS	EMPALME DESAGOTE
12	904350	1	O-RING	O-RING	O-RING	O-RING	O-RING
13	902070	1	GHIERA 1" GAS	FRETTE	RING-NUT	NUT MUTTE	ABRAZADERA
14	902460	1	FASCETTA Ø 25÷40	COLLIER	CLAMP	SHELLE	GUARNICIÓN
15	907279	2	TUBETTO PRESSOSTATO SILIC.	TUYAU PRESSOSTAT	PRESSURE SWITCH PIPE	SCHLAUCH	TUBO PRESÓSTATO
16	907124	1	TERMOSTATO VASCA	THERMOSTAT DU PANIER	TANK THERMOSTAT	WANNER THERMOSTAT	TERMÓSTATO DE PILETA
17	TR0440	1	TERMOSTATO 0°-90°	THERMOSTAT	THERMOSTAT	THERMOSTAT	TERMÓSTATO
18	907125	1	TERMOSTATO DI SICUREZZA	THERMOSTAT	THERMOSTAT	THERMOSTAT	TERMÓSTATO DE SEGURIDAD
19	902687	1	PRESSACAVO PG. 13,5	FIXAGE DU CABLE D'ALIM.	FIXING CABLE	KABELBEFESTIGER	PRESACAVO
20	902046	1	TUBO ASP. BRILLANTANTE	TUYAU	PIPE	LAUCH	TUBO DE ASPIRACION ABRILL.
21	902440	6	FASCETTA 13÷20	COLLIER	CLAMP	SHELLE	ABRAZADERA
22	902013	1	DOSATORE	DOSEUR	DOSING DEVICE	DOSIERSATZ	DOSIFICADOR
23	902025	1	DADO M10	ÉCROU	NUT	MUTTER	TUERCA
24	903403	1	GUARNIZIONE	JOINT	GASKET	DICHTUNG	GUARNICIÓN
25	907846	1	VITE M10X16	VIS	SCREW	SCHRAUBE	TORNILLO
26	905263	1	TRAPPOLA ARIA	RESERVOIR AIR	AIR TRAP	LUFTFALLE	TRAMPA DEL AIRE
27	903263	1	GUARNIZIONE M12	JOINT	GASKET	DICHTUNG	GUARNICIÓN
28	902037	1	DADO M12	ÉCROU	NUT	MUTTER	TUERCA
29	907344	1	TUBO DI CARICO	TUYAN D'ENTRÉE DE L'EAU	INLET PIPE	WASSERZUFÜHRROHR	TUBO
30	907440	1	TUBO DI SCARICO	TUYAU DE DÉCHARGÉ	OUTLET HOSE	ABLAUSCHLAUCH	TUBO DESAGOTE
31	905434	1	RACCORDO A 3 VIE	RACCORD	PIPE FITTING	ANSCHLUSSE	EMPALME
32	904991	1	GUARNIZIONE 3/8"	JOINT	GASKET	DICHTUNG	GUARNICIÓN
33	902104	1	DADO 3/8"	ÉCROU	NUT	MUTTER	TUERCA
34	906367	1	SUPPORTO TERMOSTATI	SUPPORT THERMOSTAT	THERMOSTAT SUPPORT	THERMOSTATHALTER	SOPORTE TERMÓSTATO



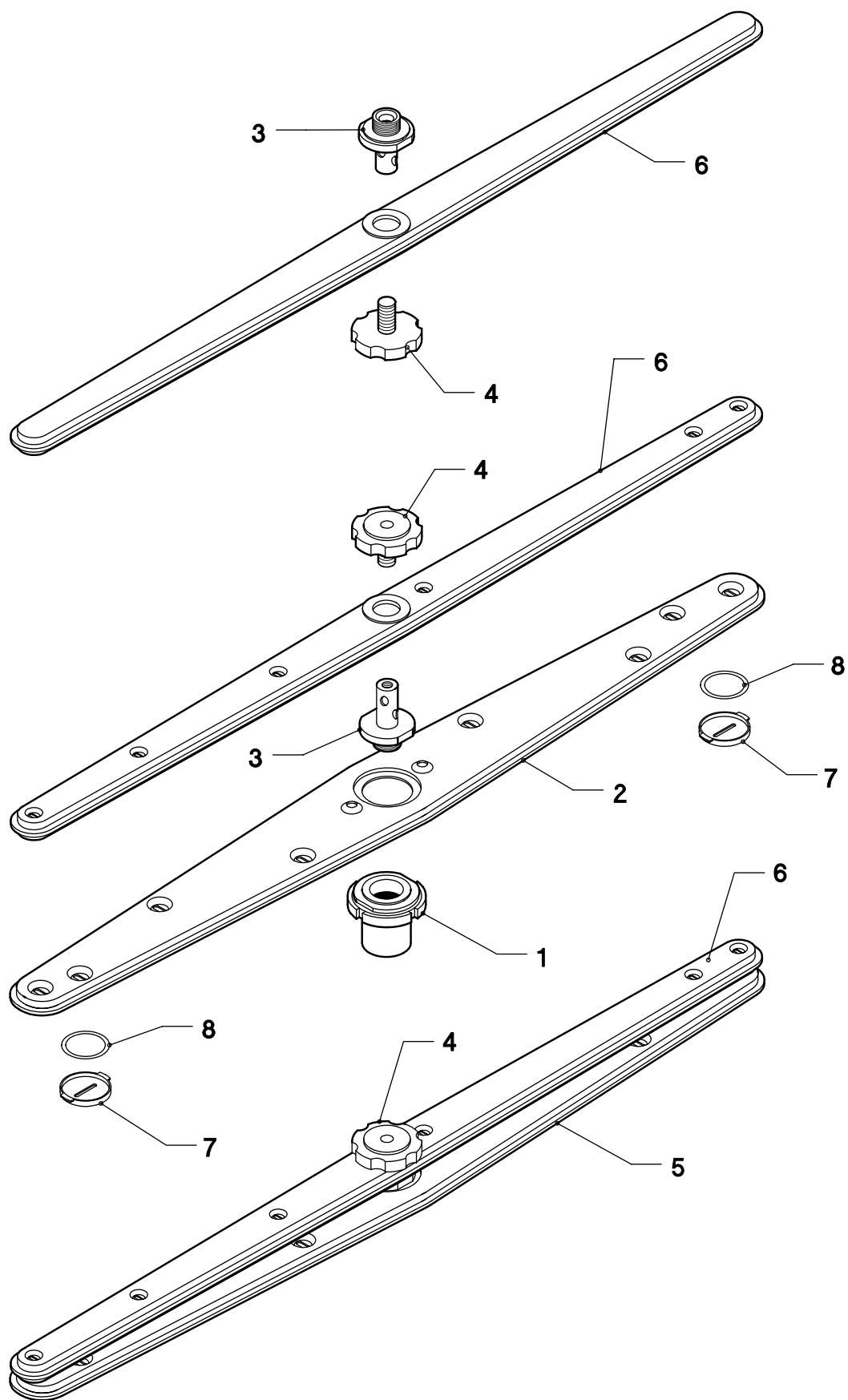
020

REV. 02/2009

ED. 2003

TAV. 3

Pos.	COD.	Q.tà	DESCRIZIONE	DENOMINATION	DESCRIPTION	BEZEICHNUNG	DESCRIPCIÓN
1	902238	1	POMPA 0,30Kw	POMPE	PUMP	PUMPE	BOMBA
2	903674	1	MANICOTTO ASPIRAZIONE	MANCHON D'ASPIRATION	INLET ELBOW	ANSAUGMUFFE	PALANCA DE ASPIRACIÓN
3	902460	3	FASCETTA Ø 25÷40	COLLIER	CLAMP	SCHELLE	ABRAZADERA
4	902441	1	FASCETTA Ø 32÷50	COLLIER	CLAMP	SCHELLE	ABRAZADERA
5	902080	1	GHIERA 1" ¼	VIROLE	LOCK-NUT	NUT MUTTER	ABRAZADERA
6	904380	1	O-RING	O-RING	O-RING	O-RING	O-RING
7	905380	1	RACCORDO ASPIRAZIONE	RACCORD D'ASPIRATION	INTAKE PIPE FITTING	ANSAUGANSCHLUSSE	EMPALME DE ASPIRACIÓN
8	904467	1	FILTRO	FILTRE	FILTER	FILTER	FILTRO
9	902850	1	GHIERA	VIROLE	LOCK-NUT	NUT MUTTER	ABRAZADERA
10	903668	1	MANICOTTO MANDATA	MANCHON DE REFAULEM.	OUTLET ELBOW	AUSLAMUFFE	PALANCA DE MANDO
11	907360	3	TUBO GOMMA Ø 10x17	TUYAN EN CAOUTCHOUC	RUBBER HOSE	GUMMISCHLAUSCH	TIUBO GOMA
12	902440	3	FASCETTA Ø 13÷20	COLLIER	CLAMP	SCHELLE	ABRAZADERA
13	902439	2	FASCETTA Ø 11÷17	COLLIER	CLAMP	SCHELLE	ABRAZADERA
14	908771	1	PERNO GIRANTE RISCIACQUO	TOURILLON DE RINÇAGE	RINSE PIN	SPÜLLSTIFT	PERNO RODETE ENJUAGUE
15	903351	1	GUARNIZIONE	JOINT	GASKET	DICHTUNG	GUARNICIÓN
16	905452	1	RACCORDO A GOMITO ¼ "	RACCORD	PIPE FITTING	ANSCHLUSS	EMPALME
17	904765	1	PERNO LAVAGGIO	TOURRILLON DE LAVAGE	WASH PIN	WASCHSTIFT	PERNO LAVADO
18	906002	1	RONDELLA	RONDELLE	WASHER	UNTERLEGSCHIEBE	ARANDELA
19	905558	1	MOZZO INFERIORE	MOYEU INFERIEUR	INFERIOR HUB	OBERE	BUJE INFERIOR
20	903301	1	GUARNIZIONE	JOINT	GASKET	DICHTUNG	GUARNICIÓN
21	905382	1	RACCORDO A 3 VIE	RACCORD	PIPE FITTING	ANSCHLUSSE	EMPALME
22	904156	1	SUPPORTO POMPA	SUPPORT POMPE	PUMP SUPPORT	PUMPE TRÄGER	SOPORTE BOMBA



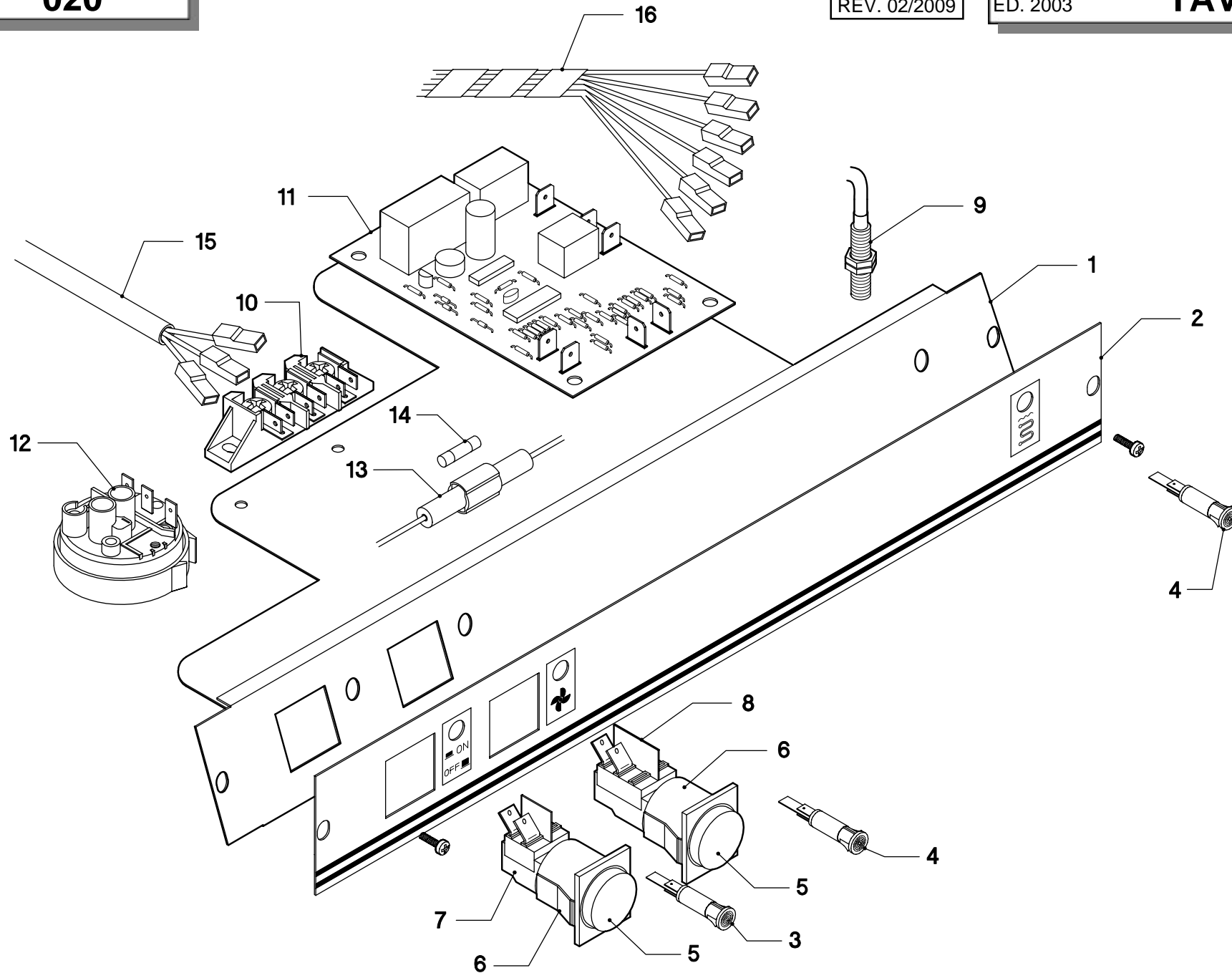
020

REV. 02/2009

ED. 2003

TAV. 4

Pos.	COD.	Q.tà	DESCRIZIONE	DENOMINATION	DESCRIPTION	BEZEICHNUNG	DESCRIPCIÓN
1	904277	1	MOZZO + GHIERA	MOYEU + VIROLE	HUB + RING-NUT	NABE + KLEMMUTTER	BUJE + ABRAZADERA
2	902905	1	GIRANTE LAVAGGIO	BRAS DE LAVAGE	WASH ARM	SPÜLLARM	RODETE LAVADO
3	908771	2	PERNO GIRANTE RISC.	TOURILLON DE RINÇAGE	RINSE PIN	SPÜLLSTIFT	PERNO RODETE ENJUAGUE
4	902880	2	GHIERA BLOCCAGGIO	FRETTE DE BLOCAGE	RING-NUT	KLEMMUTTER	ABRAZADERA BLOQUEO
5	903104	1	GIRANTE LAVAGGIO COMP.	BRAS DE LAVAGE COMPL.	COMPL. WASH ARM	SPÜLLARM KOMPL.	RODETE LAVADO COMPL.
6	907955	2	GIRANTE RISCIAQUO	BRAS DE RINÇAGE	RINSE ARM	SPÜLLSTIFT	RODETE ENJUAGUE
7	906445	2	TAPPO ISPEZIONE	BOUCHON	PLUG	FROPFEN	TAPÓN
8	904324	2	O-RING TAPPO ISPEZIONE	O-RING	O-RING	O-RING	O-RING



020

REV. 02/2009

ED. 2003

TAV. 5

Pos.	COD.	Q.tà	DESCRIZIONE	DENOMINATION	DESCRIPTION	BEZEICHNUNG	DESCRIPCIÓN
1	909275	1	PIASTRA PORTACOMPONENTI	PLAQUE COMPOSANTS	COMPONENT PLATE	PLATTE ZUSAMMENSETZEND	PLACA COMPONENTES
2	907051	1	TARGA	PLAQUETTE	PLATE	SCHILD	PLACA
3	903643	1	SPIA LINEA	LAMPE DE LIGNE	LINE LAMP	KONTROLLAMPE	LUZ LÍNEA
4	903642	2	LAMPADA	LAMPE	LAMP	KONTROLLAMPE	LÁMPARA
5	905305	2	TASTO	BOUTON	KEY	TASTE	TECLA
6	905307	2	SUPPORTO TASTO	SUPPORT BOUTON	SUPPORT KEY	TASTEHALTER	SOPORTE TECLA
7	905318	1	INTERRUTTORE ON/OFF	INTERRUPTEUR	SWITCH	DRUCKKNOPF	UNTERRUPTOR
8	905312	1	PULSANTE	BOUTON	PUSH-BUTTON	DRUCKKNOPF	INTERRUPTOR
9	909289	1	REED MAGNETICO	REED	REED	REED	REED MAGNÉTICO
10	904140	1	MORSETTIERA	BORNES	TERMINAL BOARD	KLEMMLEISTE	TABLEROS DE BORNES
11	907175	1	TIMER ELETTRONICO	TIMER ÉLECTRONIQUE	ELECTRONIC TYMER	ELEKTRONISCHER TIMER	TYMER ELECTRÓNICO
12	905270	1	PRESSOSTATO 20/40	PRESSOSTAT	PRESSURE SWITCH	DRUCHWAECHTE	PRESOSTATO
13	907128	1	PORTAFUSIBILE	PORTE-FUSIBLE	FUSE-HOLDER	SICHERUNGSHALTER	PORTAFUSIBLE
14	907116	1	FUSIBILE	FUSIBLE	FUSE	SICHERUNG	FUSIBLE
15	908139	1	CAVO ALIMENTAZIONE	CORDON ÉLECTRIQUE	POWER CABLE	ANSCHLUSSKABEL	CABLE DE ALIMENTACIÓN
16	900475	1	CAVI CABLAGGIO	CABLE CÂBLAGE	WIRING	VERDRAHTUNG	CABLEADO