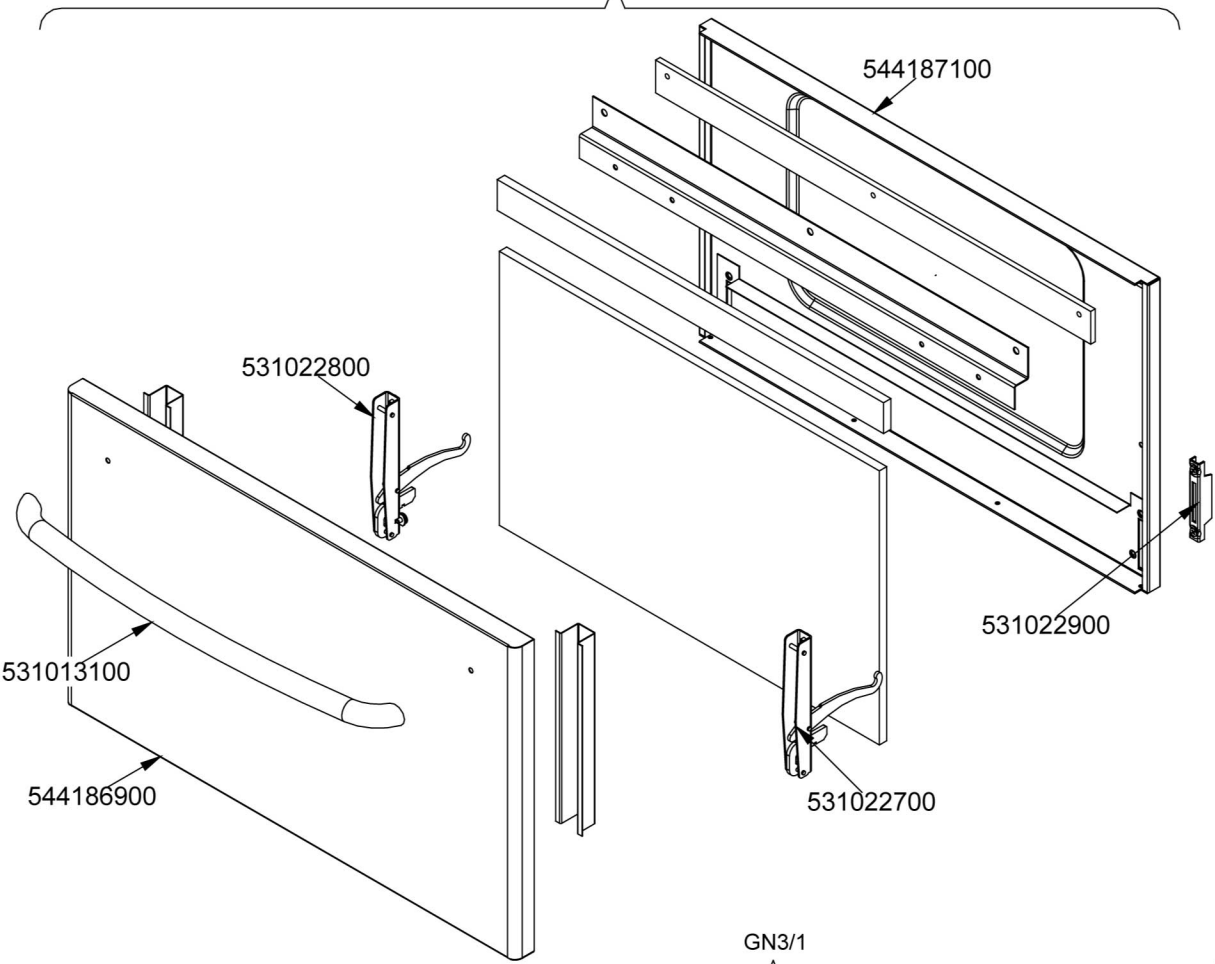
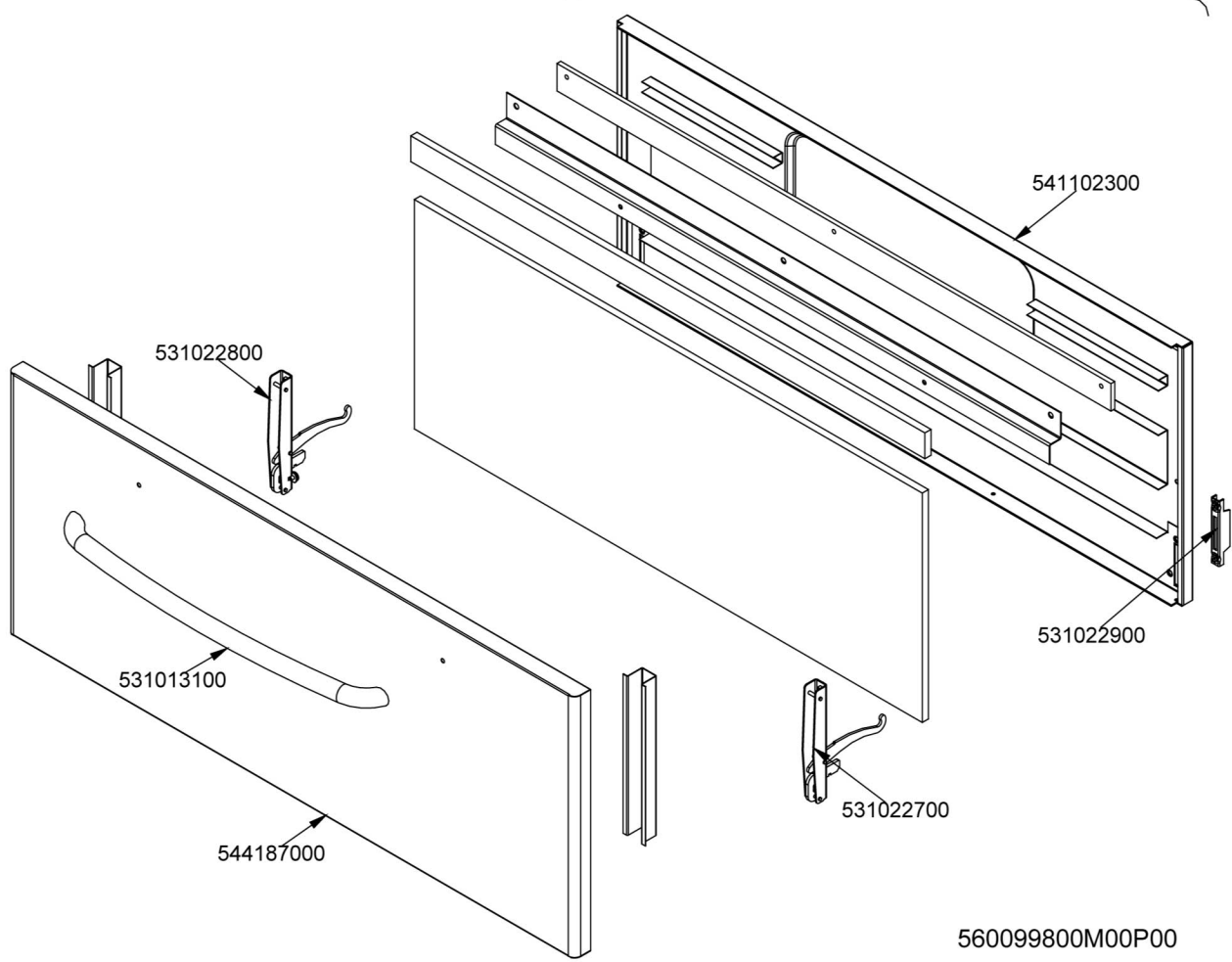


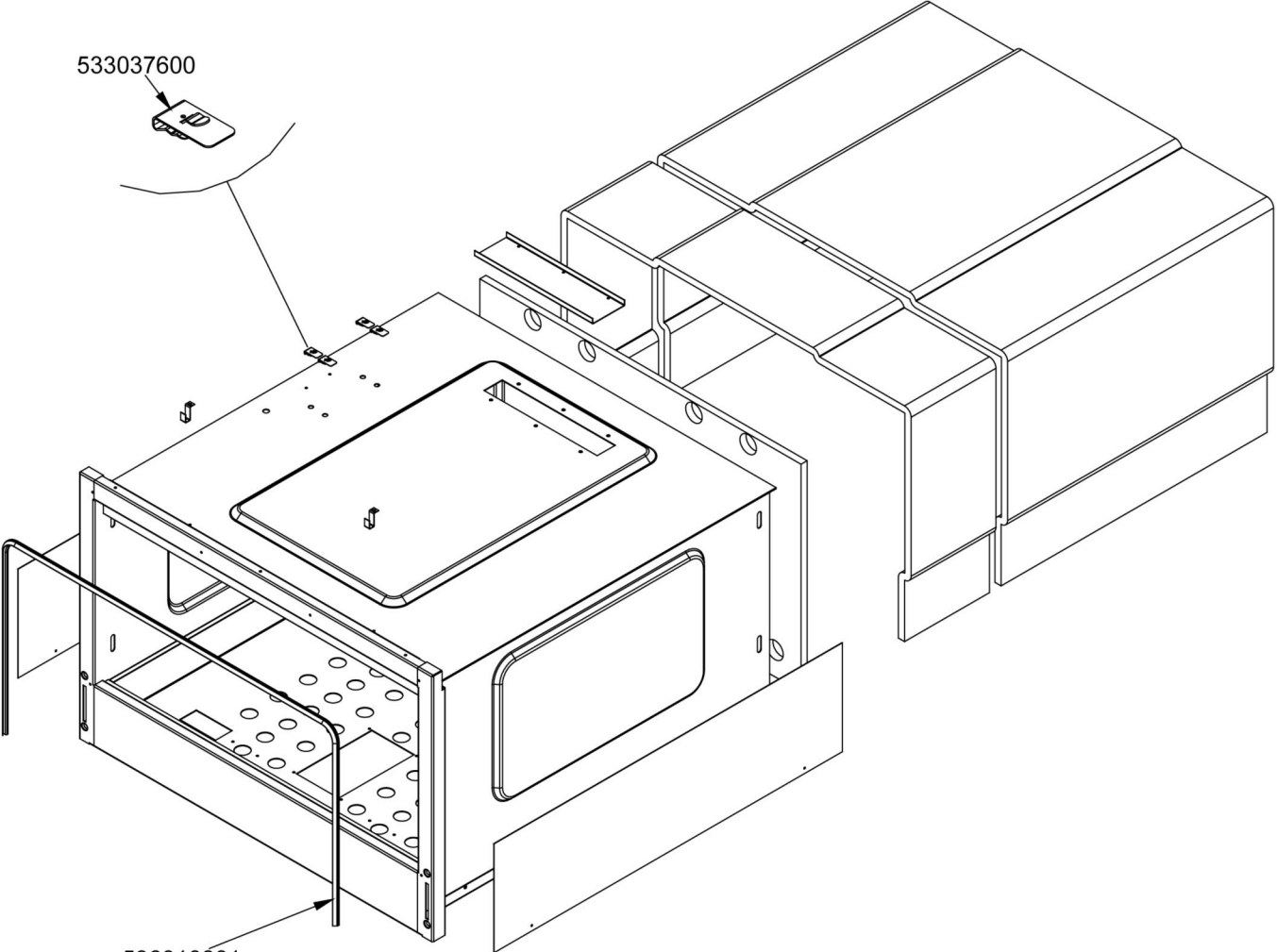
GN2/1



GN3/1



533037600



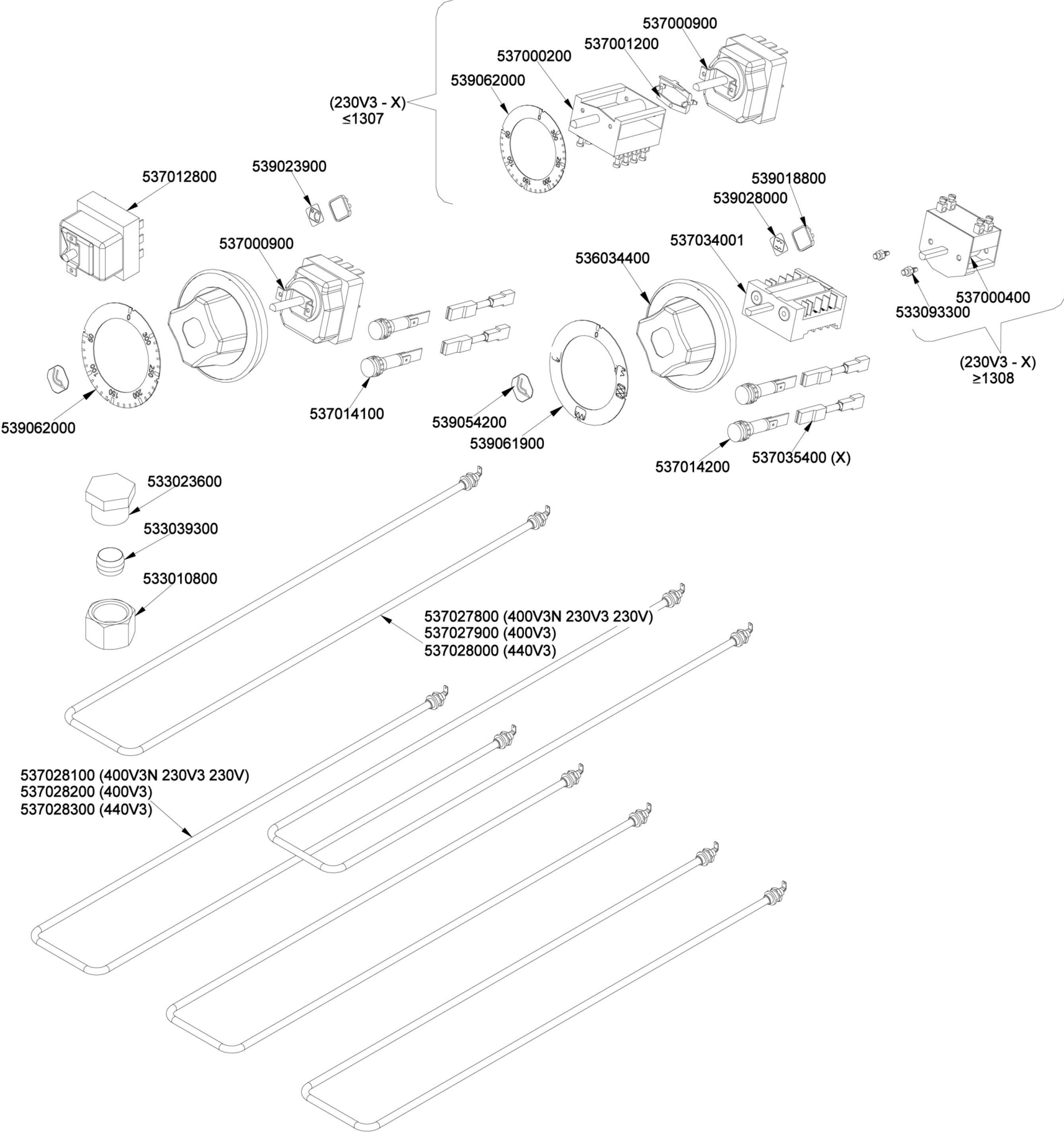
536010801

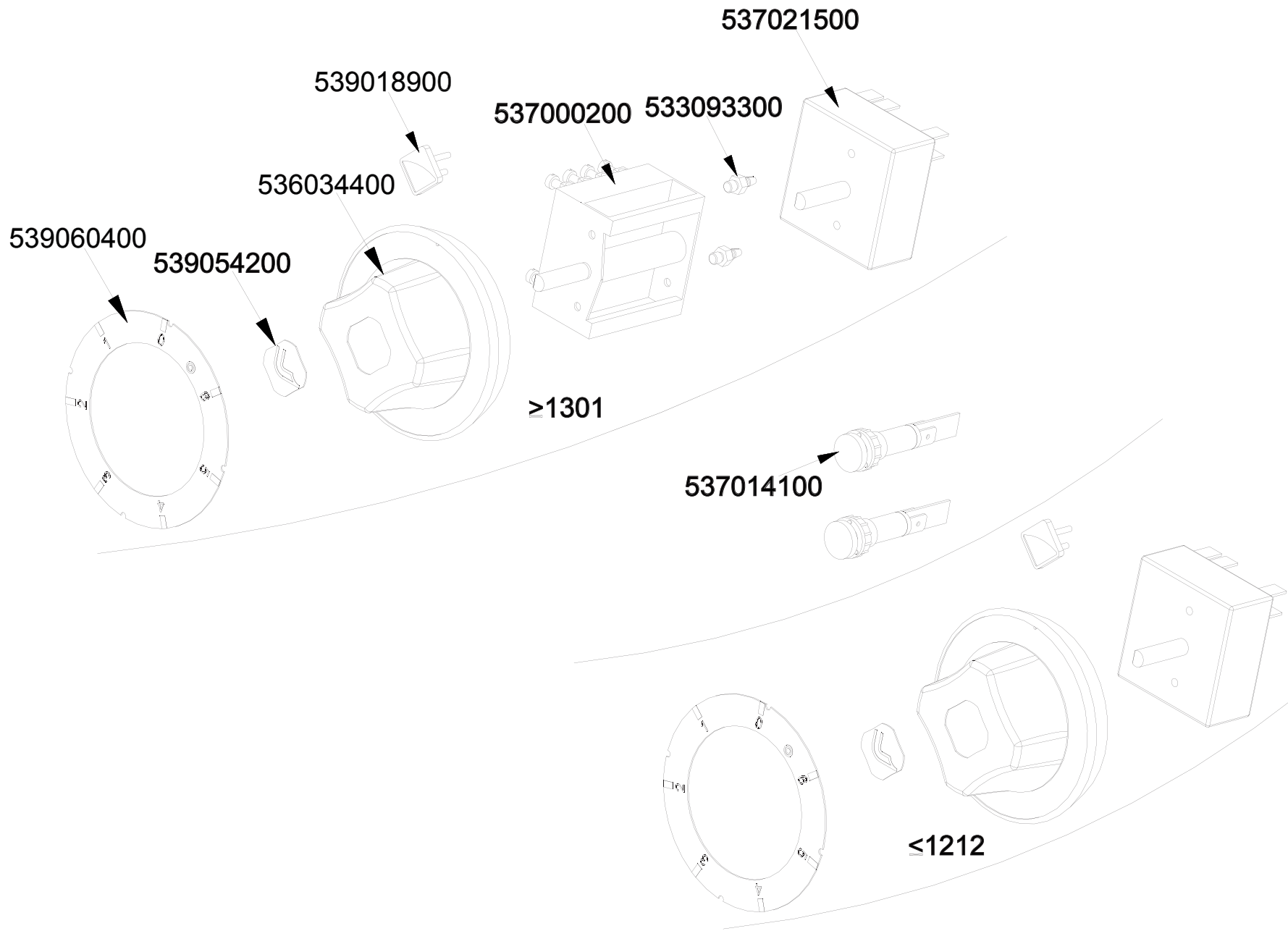
531036600

531036300

531036500

544410100





Page	Pos	Code	Description
001		532004100	FLUE GRID L=370 90LINE (RAF
001		541126700	UPPER PLATE PCC-98E WITH GLASS
001		537026401	RADIATION HEATER Ø300 230V
001		537020001	REMAINING HEAT 4 PILOT LIGHTS UNIT
001		544407200	RIGHT SIDE PANEL RANGE 70 LINE
001		537027400	TERMINAL BLOCK THREEPHASE 40A
001		541104501	CONTROL PANEL CF4-78E CFC4-78E C
001		537031600	ELECTRO BOARD 1 RELAI
001		537031700	ELECTRO BOARD 2 RELAI
001		544407100	RIGHT SIDE PANEL RANGE 90 LINE
001		536005200	INOX LEG 2" 120-180 M10
002		544187100	OVEN INNER DOOR GN 2/1 70/90LINE
002		531022800	LEFT OVEN DOOR HINGE S.70
002		531013100	OVEN DOOR HANDLE OF 70/90-LINE
002		544186900	OVEN DOOR GN 2/1 70/90LINES
002		531022700	RIGHT OVEN DOOR HINGE 70LINE
002		531022900	HINGE DOOR WHEEL HOLDER S.70
002		541102300	GAS OVEN INNER DOOR GN 3/1 S.70
002		544187000	OVEN DOOR GN 3/1 S.70
003		533037600	LOCK SPRING FOR BULB
003		536010801	OVEN GASKET GN 2/1 (1308
003		531036600	LHD RACK HOLDER FOR OVEN S.90
003		531036300	OVEN RACK GN 2/1 FOR 90 LINE
003		531036500	RHD RACK HOLDER FOR OVEN S.90
003		544410100	90 ELECTRICAL OVEN BOTTOM GN2/1
004		539023900	SIGN PLATE FOR OVEN TEMPERATURE
004		537012800	SAFETY THERMOSTAT 420°C THREEPHASE
004		537000900	THERMOSTAT 063-320°C THREEPHASE
004		537014100	WHITE WARNING LIGHT 250V
004		539054200	STAMP O20,5 CR."L" LOTUS R.
004		539061900	ADESIVE DISK FOR SWITCH OVEN S70
004		536034400	KNOB §77 4P. §06*4,6 C/M
004		537034001	COMMUTATOR 4 POS.3PHASE S.42 16A
004		539028000	SELECTOR SIGN PLATE FOR OVEN
004		539018800	BLANK INDEX FOR KNOB
004		537014200	GREEN WARNING LIGHT 250V
004		539062000	ADESIVE DISK THERMOSTAT OVEN S70
004		533023600	TAP PLUG §10 M16*1, 5CH19
004		533039300	BICONE §10
004		533010800	TUBE NUT D.10 M16*1,5
004		537027800	OVENUPPER HEATING EL. W800 V230 90L
004		537027900	OVENUPPER HEATING EL. W800 V400 90L
004		537028000	OVENUPPER HEATING EL. W800 V440 90L
004		537028100	OVEN LOWER HEATING EL.W700 V230 90L
004		537028200	HEATING ELEMENT 1700W 400V OVEN S70
004		537028300	OVEN LOWER HEATING EL.W1700 V230 90
005		537021500	REGULATOR FOR EL.PLATE 2CIRC.230V
005		533093300	LOCKING PIN SWITCH S.43 THERMOST
005		537000200	COMMUTATOR 1 POS. 3PHASE S.49 16A
005		539018900	INDEX FOR KNOB W/RED SIGN
005		536034400	KNOB §77 4P. §06*4,6 C/M

Page	Pos	Code	Description
005		539054200	STAMP Ø20,5 CR."L" LOTUS R.
005		539060400	RED ADESIVE DISK FOR PCC-E
005		537014100	WHITE WARNING LIGHT 250V