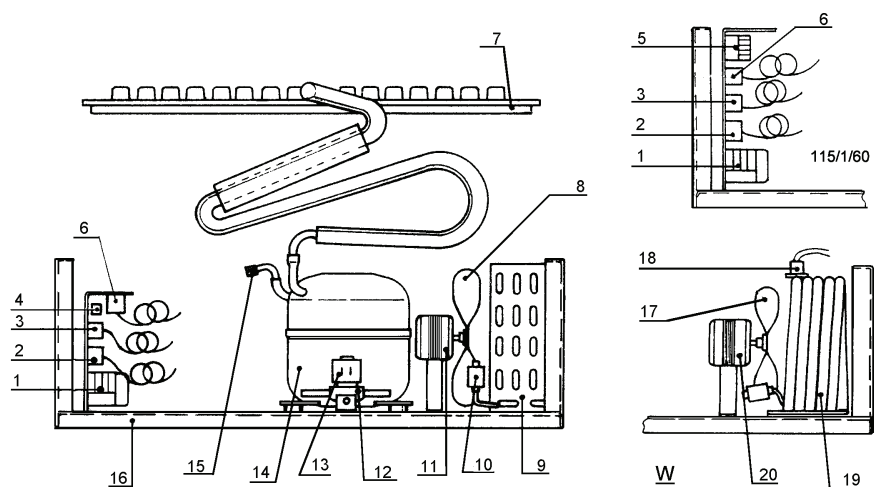


Ref.	Description	Refrigerant	A/W	Tension	Code
1	Evaporator basin				10028
2	Top fixing pin				20024
3	Sprayers bar assembly	R404A			C20459
3	Sprayers bar assembly	R22			C20059
4	Sprayer				D20002
5	Sprayers bar plug				10012
6	Overflow tube assembly				C10133
7	Plastic nipple water outlet				10007
9	Sprayers feeding pipe assy	R404A			C13101
9	Sprayers feeding pipe	R22			13005
10	Pump suction filter				20005
11	Foamed cabinet assy				C11005
12	Back grid				D12009
13	Discharges manifold		A		C10006
13	Discharges manifold		W		C26452
14	Inlet watervalve 1 way		A	1-2	23001
14	Inlet watervalve 1 way		A	3	23260
14	Inlet watervalve 2 ways		W	1-2	23010
14	Inlet watervalve 2 ways		W	3	23261
15	Ice cubes slide				D12011
16	Evaporator cover				10032
17	Back panel				22027
18	Top assembly				C22066
19	Front panel assembly				C22067
20	Flags support assy				C22060
21	Suction impeller				10213
22	Hub+washer+screw				10014
23	Pump			1-2	23002
23	Pump			3	23264
24	Pump delivery pipe				13002
25	Pump suction pipe				13003
26	Lateral grid				D12010

Note: Code C20459 from construction no. 44823. Previous construction no. Code C20059.
Code C13101 from serial no. 44823. Before Code 13005.



Ref.	Description	Refrigerant	A/W	Tension	Code
1	Timer			1	23222
1	Timer			2	23248
1	Timer			3	23259
2	Evaporator thermostat				23591
3	Bin thermostat				23005
4	Anti radio interference filter		A	1	23459
4	Anti radio interference filter		W	1	23457
5	Contactora			3	23595
6	Condenser pressure switch				23175
7	Evaporator				D10048
8	Suction fan 254/34		A		20031
9	Air condenser		A		20030
10	Solid core drier				14089
11	Lower fan motor		A	1	23067
11	Lower fan motor		A	2	23580
11	Fan motor		A	3	23393
12	Hot gas valve body				20410
13	Hot gas coil			1-2	23091
13	Hot gas coil			3	23256
14	Compressor	R404A		1	23503
14	Compressor	R404A		2	23504
14	Compressor	R404A		3	23553
14	Compressor	R22		1	23407
14	Compressor	R22		2	23519
14	Compressor	R22		3	23520
15	Vacuum-charge valve device				14005
15	Vacuum-charge valve plug				14006
15	Vacuum-charge valve body				14007
16	Base plate				21022
17	Suction impeller		W		10213
18	Safety thermostat		W		C23114
19	Water condenser		W		14034
20	Fan motor		W	1-2	23029
20	Fan motor		W	3	23265

Note: Code 23222 from September 1992. Before Code 23003.
 Code 23407 from construction no. 8869. Previous construction no. Code 23216.
 Code 23503 from construction no. 55026. Previous construction no. Code 23444.
 Code 23504 from construction no. 55026. Previous construction no. Code 23465.
 Code 23553 from construction no. 55026. Previous construction no. Code 23554.

Erklärung zu Ersatzteillisten in den Spalten Tension-Spannung

1	Spannung	220-240V	50Hz
2	Spannung	220-230V	60Hz
3	Spannung	110 115V	60Hz
4	Spannung	230V3P	50Hz
5	Spannung	400V	50Hz
6	Spannung	220-230V3P	60Hz
7	Spannung	440-460V3P	60Hz