



**Fast Food  
Elektro-Reiskocher**

Artikel-Nr. 236004  
(282-3080)

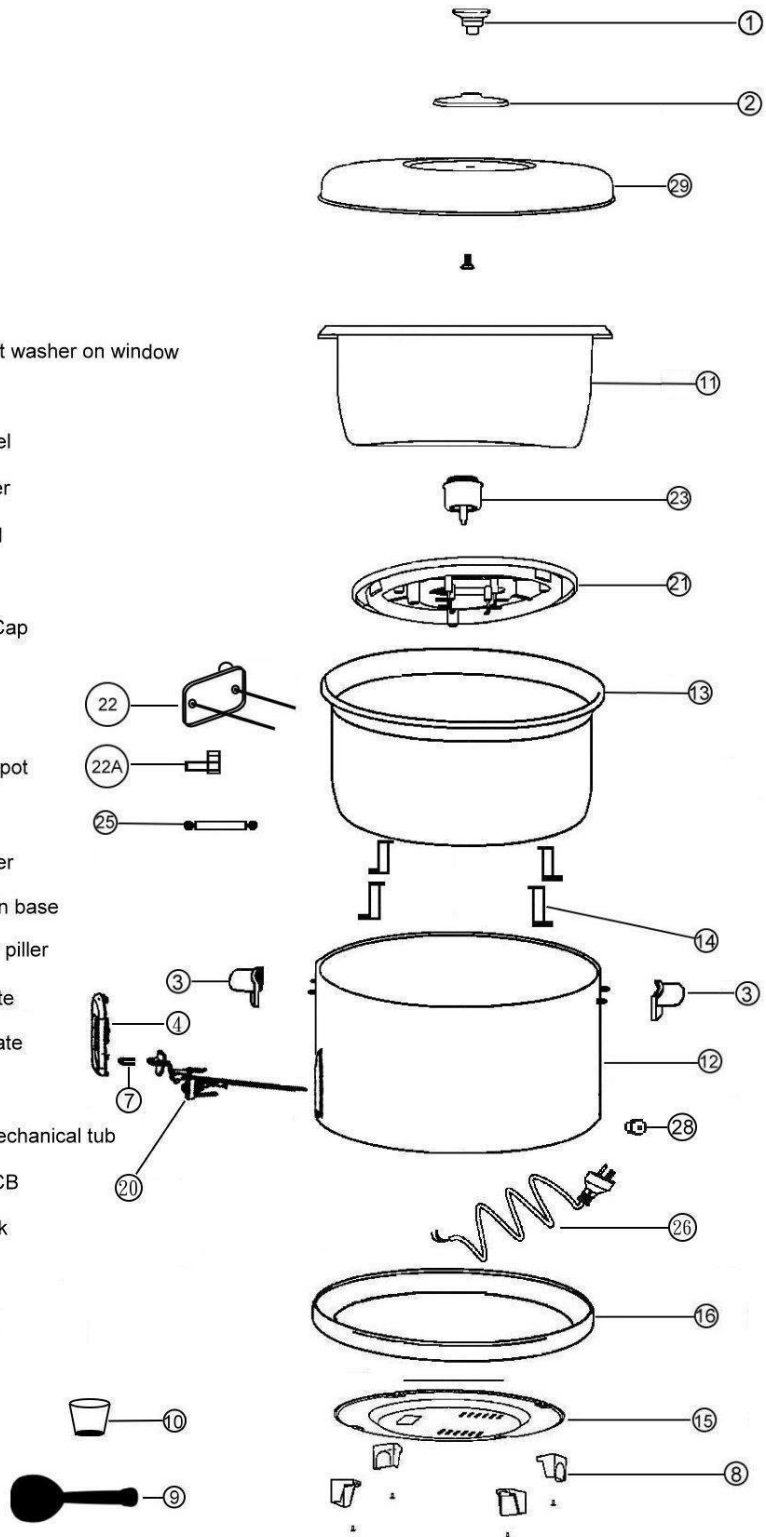
---

**Explosionszeichnung / Ersatzteile**

---

**Explosionszeichnung**

DWG NO	P/N	Description
1	S160P001	Lid handle
2	S160P002	Heat prevent washer on window
3	S160P003	Handle
4	S160P004	Control panel
7	S160P007	Switch Cover
8	S160P008	Bottom Heel
9	S160P009	Scoop
10	S160P010	Measuring Cap
11	S160P011	Inner Pot
12	S160P012	Shroud
13	S160P013	Keep-warm pot
14	S160P014	Bracket
15	S160P015	Bottom Cover
16	S160P016	Metal Ring in base
20	S160P020	Switch lever piller
21	S160P021	Heating Plate
22	S160P022	Warming Plate
22	S160P022(A)	Thermostat
23	S160P023	Magnetic mechanical tub
24	S160P024	Indicating PCB
25	S160P025	Thermal Link
26	S160P026	Power Cord
28	S160P028	Wire Clip
29	S160P029	Lid



Artikel-Beschreibung : Reiskocher Modell RICO  
Artikel-Nr. : 282-3080

<b>Nr.</b>	<b>LI Artikel NR.</b>	<b>Beschreibung LI</b>
1	S160P001	Lid handle
2	S160P002	Heat prevent washer an window
3	S160P003	Handle
4	S160P004	Control panel
7	S160P007	Switch Cover
8	S160P008J	Bottom Heel
9	S160P009	Scoop
10	S160P010	Measuring Cap
11	S160P011	Inner Pot
12	S160P012	Shroud
13	S160P013	Keep-warm pot
14	S160P014	Bracket
15	S160P015	Bottom Cover
16	S160P016	Metal Ring in base
20	S160P020	Switch lever piller
21	S160P021	Heating plate
22	S160P022	Warming Plate
22	S160P022A	Thermostat
23	S160P023	Magnetic mechanical tub
24	S160 P024	Indicating PCB
25	S160P025	Thermal Link
26	S160P026	Power Code
28	S160P028	Wire Clip
29	S160P029	Lid