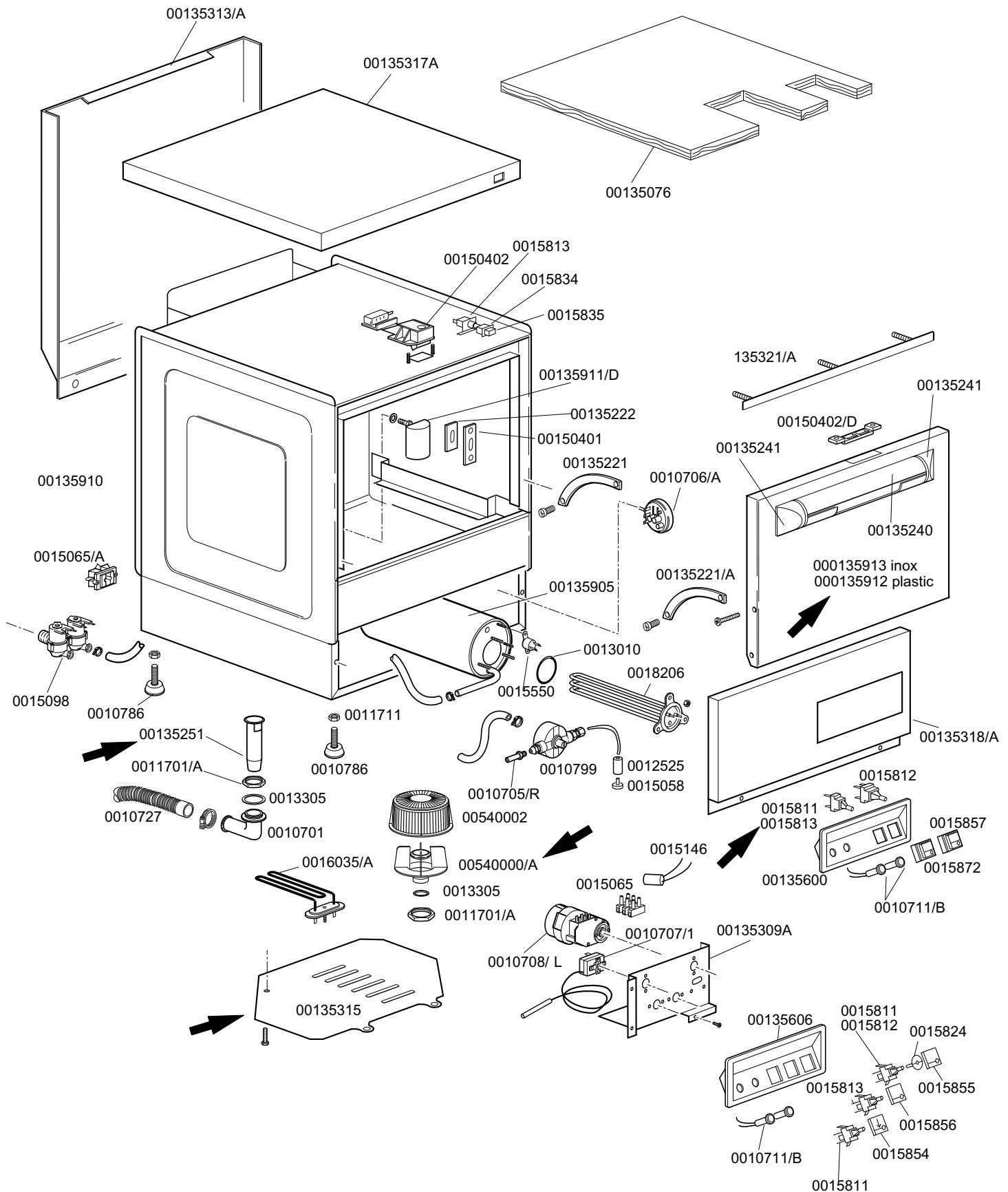


# KROMO

TABLE  
KI4010

REV  
03

## GLASSWASHER K 35



**GLASSWASHER K 35**

**TABLE  
KI4010**

CODE	DESCRIPTION	CODE	DESCRIPTION
0010707/1	0-90 TR2 thermostat	00135321/A	Angular for door gasket
0010701	Drain elbow	00540000/A	Filter body ←
0010705/R	Pipe fitting d. 8	00540002	Plastic filter for body d. 42
0010706/A	Pressure switch		
0010708/L	Rapid timer 120"		
0010711/B	Fluor pilot lamp		
0010727	1,5m H2O drain liner		
0010786	40 Diam.M10X25 small black foot		
0010799	Shining product dosing device		
0011701	36x5 nut		
0011701/A	Stainless steel nut for floor drain		
0011711	M10 znc-plated nut		
0012525	Counter weight for small filter		
0013005	OR heating element gasket		
0013010	OR heating element gasket		
0013305	Drain elbow gasket		
00135076	Polystirene coat K 35		
00135221	Right door rod		
00135221/A	Left door rod		
00135222	Beating door		
00135240	Handle door in plastic		
00135241	Ending of handle K		
→ 00135251	Overflow K 35		
00135309A	Support component K 35		
→ 00135313/A	Dorsal panel K 35		
→ 00135315	Base protection for K 35		
00135317A	Lid for K 35		
00135318/A	Lower door K 35		
00135600	2+2 instrument panel		
00135606	3+2 instrument panel		
00135905	Complete boiler		
00135910	Complete body for K 35		
00135911/D	Complete air trap		
→ 00135912	Complete door plastic version		
00135913	Complete inox door		
00150401	Guide for bent rod		
00150402	Complete brass hook		
00150402/D	Block brass door hook		
0015058	Small shining product suction filter		
0015065	12 poles terminal board		
0015065/A	Cable fastener with screw		
0015098	Double solenoid valve		
0015146	Antijamming filter		
0015550	Conveyor safety thermostat		
0015811	Button fruit 16A bipolar		
0015812	Button fruit 16A		
→ 0015813	Button fruit unip. 16A		
0015824	Green-orange cam		
0015834	Start switch		
0015835	Square start button		
0015854	Switch Q5 drain pump		
0015855	Switch Q5 yellow		
→ 0015857	Switch Q5 green		
0015872	Switch Q7 green		
0018206	2400W heating element		
16035/A	1850W basin heating element		



