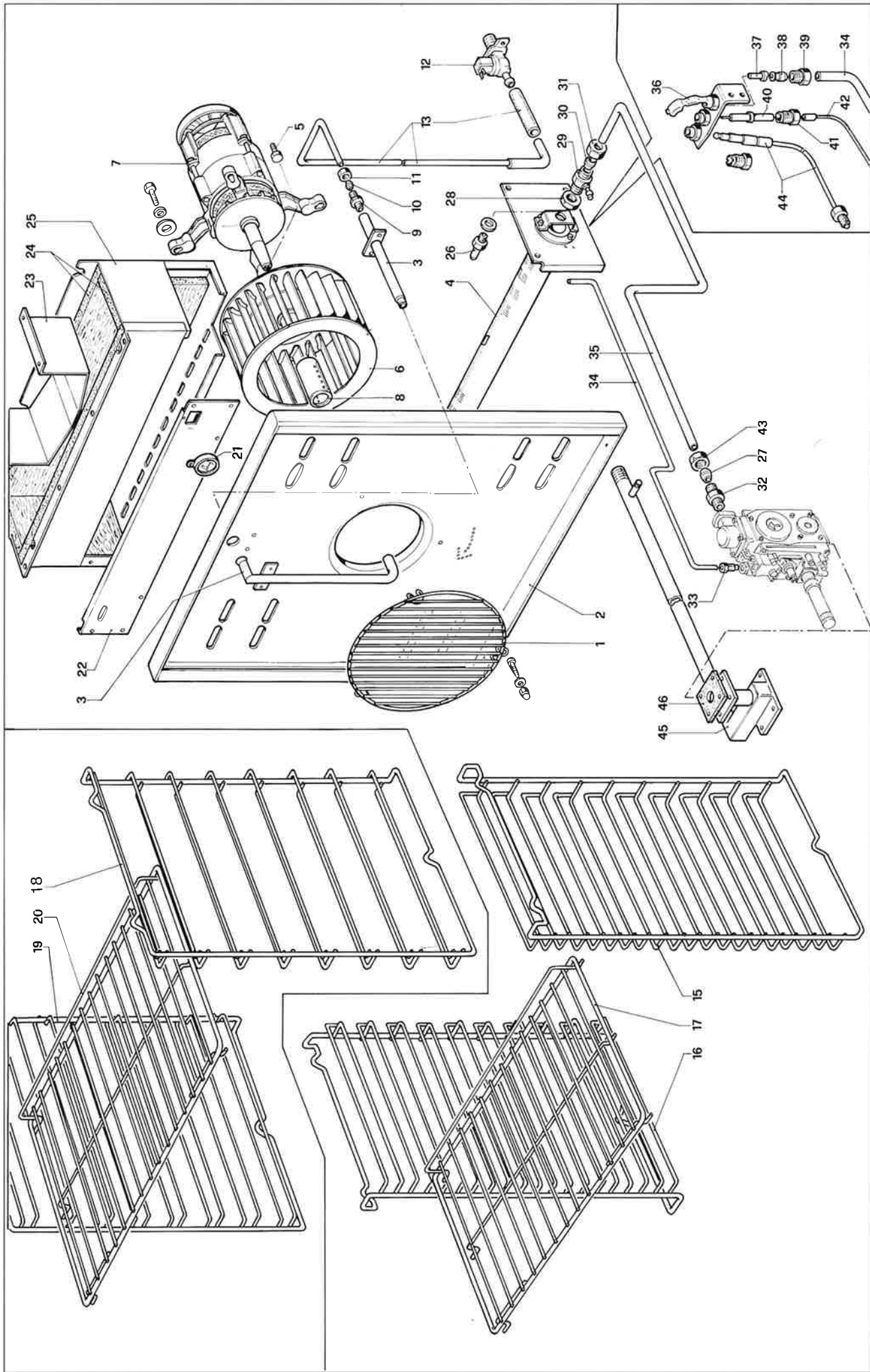


STAR CHEF

TAV. 210

TAV. 210 STRUTTURA STRUCTURE STRUCTURE STRUKTUR

	Codice	Denominazione	Denomination	Denomination	Bezeichnung	FC100	FCP080	FCM100/101
1	GAFOC00065	Cassone forno	Caisson du four	Oven body	Ofenshublade	●	●	●
2	RTCU700002	Attacco griglia laterale	Attaque latérale	Lateral connection	Seitenanschluss	●	●	●
3	PAFOC00051	Disco scarico condensa	Disque évacuation condensation	Moisture drain disk	Kondenswasserablasscheibe	●	●	●
4	GAFOC00030	Cerniera superiore porta	Charnière supérieure	Upper hinge	Linke Türangel	●	●	●
5	GAFOC00031	Cerniera inferiore porta	Charnière inférieure	Lower door hinge	Untere Türangel	●	●	●
6	MPGOM03P00	Guarnizione vetro porta	Guarniture porte	Oven door gasket	Türdichtung	●	●	●
7	GAFOC00049	Porta forno	Porte du four	Oven door	Ofentür	●	●	●
8	RTFOC00065	Cristallo porta forno	Verre porte four	Oven door glass	Ofentürglas	●	●	●
9	RTFOC00007	Maniglia serratura	Poignée porte four	Oven door handle	Ofentürgriff	●	●	●
10	PAFOC00064	Controporta forno	Contre porte du four	Oven counter door	Gegentür	●	●	●
11	PAFOC00063	Protezione serratura porta	Protection de la serrure	Lock guard	Schlosschutz	●	●	●
12	PAFOC00085	Prolunga sinistra facciata	Rallonge gauche facade	Left facade extension	Verlängerung Linke Front	●	●	●
13	RTFOC00094	Guarnizione porta forno	Guarniture porte du four	Oven door gasket	Türdichtung	●	●	●
14	GAFOC00048	Cassetto	Tiroir	Drawer	Kasten	●	●	●
15	PAFOC00181	Traversa antigoccia	Traverse anti-goutte	Anti-drip crosspiece	Tropfschutzquerstange	●	●	●
16	PAFOC00084	Prolunga destra facciata	Rallonge droite facade	Right facade extension	Verlängerung Rechte Front	●	●	●
17	PAFOC00080	Coprilana inferiore	Panneau couvre isolant	Insulating panel cover	Isoliermaterialverkleidung	●	●	●
18	PACU800150	Pannello isolante	Panneau isolant	Insulating panel	Isolier tafel	●	●	●
19	GAFOC00068	Basamento	Soubassement	Base	Untergestel	●	●	●
20	GAFOC00066	Cruscotto	Panneau de contrôle	Control panel	Stirnbrett	●	●	●
21	RTFOC00035	Microinterruttore	Microswitch	Microswitch	Microswitch	●	●	●
22	PAFOC00066	Coprilana destro	Panneau couvre isolant	Insulating panel cover	Isoliermaterialverkleidung	●	●	●
23	RTFOC00086	Piedino	Pied	Foot	Inos-Fuss	●	●	●
24	PAFOC00120	Fianco inox	Côté inox	Inox side	Inox-Seite	●	●	●
25	GAFOC00053	Supporto ventola	Support ventilateur	Fan support	Lautradsupport	●	●	●
26	PAFOC00081	Coprilana inf. posteriore	Panneau couvre isolant	Insulating panel cover	Isoliermaterialverkleidung	●	●	●
27	PAFOC00067	Coprilana posteriore	Panneau couvre isolant	Insulating panel cover	Isoliermaterialverkleidung	●	●	●
28	GAFOC00081	Posteriore inox	Panneau postérieur inox	Inox back panel	Inox-Rückwand	●	●	●
29	PAFOC00065	Coprilana sinistro	Panneau couvre isolant	Insulating panel cover	Isoliermaterialverkleidung	●	●	●
30	PAFOC00137	Protezione comp. elettrici	Protection composant électriques	Electrical components guard	Schutz elektrischen Komponenten	●	●	●
31	PAFOC00141	Coprilana superiore	Panneau couvre isolant	Insulating panel cover	Isoliermaterialverkleidung	●	●	●
32	GAFOC00067	Coperchio	Couvercle	Cover	Topfdeckel	●	●	●
32	GAFOC00082	Coperchio	Couvercle	Cover	Topfdeckel			●
33	GAFOC00051	Serratura porta forno	Serrure porte four	Over door lock	Ofentürschloss	●	●	●
34	RTFOC00057	Zoccolo centrale serratura	Prise centrale serrure	Central connection lock	Mittlerer Anschluss	●	●	●
35	RTFOC00005	Zoccolo esterno serratura	Prise extérieure serrure	External connection lock	Ausserer Anschluss	●	●	●
36	RTFOC00009	Gancio fisso serratura	Crochet fixe de la serrure	Lock fixed hook	Fester Schlosshaken	●	●	●
37	RTBF800021	Gommino porta forno	Bouchon de la porte	Door rubber cap	Türgummi	●	●	●
38	RTFOC00202	Guarnizione portalamпада	Garniture	Gasket	Dichtung	●	●	●
39	RTFOC00201	Vetro portalamпада	Verre protège ampoule	Lamp-holden glass	Leuchtenhalterungs glas	●	●	●
40	RTFOC00037	Lampada 25W 220V.	Ampoule 25W 220V	Lamp 25W 220V	Leuchte 25W 220V	●	●	●
41	RTFOC00036	Portalamпада	Douille	Lamp-holder	Leuchtenhalterung	●	●	●
42	RTFOC00078	Asta posteriore scarico cond.	Antenne arriere	Rear rod	Hinterere stange	●	●	●
43	RTFOC00109	Asta trasversale scarico cond.	Antenne transversale	Transverse rod	Querstange	●	●	●
44	RTFOC00056	Manopola scarico condensa	Manette évacuation condens.	Moisture drain knob	Drehknopf Kondenswasserablass	●	●	●
45	RTFOC00080	Asta anteriore scarico cond.	Antenne avant	Front/rod	Vordere stange	●	●	●
46	RTFOC00116	Tube di collegamento infer.	Tuyan de branchement inférieur	Lower connection hose	Unteres Verbindungsrohr	●	●	●
47	RTFOC00117	Tube di collegamento poster.	Tuyan de branchement postérieur	Rear connection hose	Hinteres Verbindungsrohr	●	●	●
48	RTFOC00105	Asta posteriore scarico cond.	Antenne arriere	Rear rod	Hinterere stange	●	●	●
49	RTFOC00075	Rampa scarico condensa	Rampe évacuation condensation	Moisture drain ramp	Kondenswasserablassrampe	●	●	●
49	RTFOC00137	Rampa scarico condensa	Rampe évacuation condensation	Moisture drain ramp	Kondenswasserablassrampe			●
50	RTFOC00124	Gomito scarico condensa	Coude évacuation condensation	Moisture drain elbow	Kondenswasserablasskniestück	●	●	●
51	ACFCV00002	Camino antivento	Chemineé antirefuleur	Chimney	Schornstein	●	●	●
52	PAFOC00092	Pannello inferiore	Panneau inférieur	Lowel panel	Untere Tafel	●	●	●
53	PAFOC00122	Deviatore fumi	Aiguille des fumées	Throttle	Rauchabweiser	●	●	●
54	MPISO00013	Pannello isolante	Panneau isolant	Insulating panel	Isolier tafel	●	●	●
55	GAFOC00071	Camino interno	Cheminée extérieure	External chimney	Aussenschornstein	●	●	●



	Codice	Denominazione	Denomination	Denomination	Bezeichnung	FGC100/FGP080	FGM100/101 FMM100/101
1	RTFOC00014	Griglia protezione ventilatore	Grille ventilateur	Fan grille	Ventilatorgitter	●	●
2	GAFOC00054	Convogliatore aria	Coiffe ventilateur air	Air duct	Luftförderer	●	●
3	RTFOC00071	Umidificatore	Humidificateur	Humidifier	Befeuchter	●	●
4	GAFOC00073	Brucciato	Brûleur	Burner	Brenner	●	●
5	RTFOC00118	Vite fissaggio girante	Vis de fixation couronne mobile	Wheel attachment screws	Lautradbetfestigungsschraube	●	●
6	RTFOC00067	Girante ventilatore	Couronne mobile ventilateur	Fan wheel	Ventilatorlaufrad	●	●
7	RTFOC00066	Motore elettrico	Moteur électrique	Electric motor	E-Motor	●	●
8	RTFOC00156	Nebulizzatore	Nébulisateur	Atomizer	Zerstäuber	●	●
9	RTFOC00019	Iniettore umidificatore	Injector humidificateur	Injecteur for humidifier	Einspritzer für Befeuchter	●	●
10	RTCU800183	Bicono Ø 6	Bicone pour tube Ø 6	Bicone for pipe Ø 6	Zweikegel Ø 6	●	●
11	RTFOC00020	Calotta	Ecrou pour tube Ø 6	Nut for pipe Ø 6	Mutter für Schlauch Ø 6	●	●
12	RTFOC00022	Elettrovalvola	Electrovanne	Solenoid valve	E-Ventil	●	●
13	RTFOC00072	Tubo alimentazione umidificatore	Tube alimentation	Feeding pipe	Versorgungsrohr	●	●
15	RTFOC00070	Griglia laterale destra (FGC100)	Grille latérale droite (FGC100)	Right lateral grate (FGC100)	Rechte Seitenrost (FGC100)	●	●
15	RTFOC00178	Griglia laterale destra	Grille latérale droite	Right lateral grate	Rechte Seitenrost		●
16	RTFOC00069	Griglia laterale sinistra (FGC100)	Grille latérale gauche (FGC100)	Left lateral grate (FGC100)	Linke Seitenrost (FGC100)	●	●
16	RTFOC00181	Griglia laterale sinistra	Grille latérale gauche	Left lateral grate	Linke Seitenrost		●
17	RTFOC00017	Griglia forno (FGC100)	Grille du four (FGC100)	Oven grate (FGC100)	Ofenrost (FGC100)	●	●
17	RTFOC00175	Griglia forno	Grille du four	Oven grate	Ofenrost		●
18	RTFOC00114	Griglia laterale destra (FGP080)	Grille latérale droite (FGP080)	Right lateral grate (FGP080)	Rechte Seitenrost (FGP080)		●
19	RTFOC00113	Griglia laterale sinistra (FGP080)	Grille latérale gauche (FGP080)	Left lateral grate (FGP080)	Linke Seitenrost (FGP080)		●
20	RTFOC00083	Griglia forno (FGP080)	Grille du four (FGP080)	Oven grate (FGP080)	Ofenrost (FGP080)		●
21	RTBF900054	Visore con vetro	Doville	Viewer	Monitor	●	●
22	PAFOC00123	Coperchio camera combustione	Panneau antérieur chambre comb.	Combustion chamber face	Brennkammervorderwand	●	●
23	PAFOC00124	Deflettore bruciato	Défecteur pour brûleur	Burner deflector	Deflektor	●	●
24	MPIS000012	Pannello isolante	Panneau isolant	Insulating panel	Isolierplatte	●	●
25	GAFOC00072	Camera di combustione	Chambre de combustion	Combustion chamber	Brennkammer	●	●
26	RTBF800197	Iniettore Ø 2.10 K per GPL	Injector Ø2.10 K pour GPL	L.P.G. Injector Ø 2.10.K	Flüssiggas-Einspritzer Ø2.10 K	●	●
26	RTCP800049	Iniettore Ø 3.40 gas metano	Injecteur Ø3.40 pour méthane	Methane pilot injector Ø3.40 K	Methangas-Einspritzer Ø3.40	●	●
27	RTCP900088	Bicono Ø 14	Bicone Ø 14	Bicone Ø 14	Zweikegel Ø 14	●	●
28	RTCP800013	Controdado 1/2"	Countre écrou 1/2"	Lock nut 1/2"	Gegenmutter 1/2"	●	●
29	RTCP800012	Supporto iniettore	Support injecteur	Injector support	Einspritzerhalterung	●	●
30	RTBF800137	Bicono Ø 14	Bicone Ø 14	Bicone Ø 14	Zweikegel Ø14	●	●
31	RTBF800015	Calotta Ø 14	Écrou pour tube Ø 14	Nut for tube Ø 14	Mutter für Schlauch Ø 14	●	●
32	RTCP900087	Niples 1/2" - M20	Niples 1/2" - M20	Nipples 1/2" - M20	Nipple 1/2" - M20	●	●
33	RTCU900217	Raccordo + bicono Ø 6	Écrou et bicone Ø 6	Nut and bicone Ø 6	Mutter und Zweikegel Ø 6	●	●
34	PAFOC00098	Tubo pilota	Tube pour veilleuse	Pilot pipe	Pilotbrennerrohr	●	●
35	PAFOC00097	Tubo alimentazione bruciato	Tube alimentation du brûleur	Burner feeding pipe	Brennerversorgungsrohr	●	●
36	RTCP800034	Corpo pilota	Corps veilleuse	Pilot body	Pilotbrenner	●	●
37	RTCP800041	Iniettore pilota Ø 0,19 per GPL	Injecteur veilleuse Ø 0.19 pour GPL	L.P.G. pilot injector Ø 0.19	Flüssiggas-Einspritzer Ø0.19	●	●
37	RTCP800040	Iniettore Ø 0.36 gas metano	Injecteur veilleuse Ø 0.36 pour méth.	Methane pilot injector Ø0.36	Methangas-Einspritzer Ø0.36	●	●
38	RTCU800183	Bicono Ø 6	Bicone Ø 6	Bicone Ø 6	Zweikegel Ø 6	●	●
39	RTCU800182	Calotta Ø 6	Écrou pour tube Ø 6	Nut for pipe Ø 6	Mutter für schlauch Ø 6	●	●
40	RTCP800033	Candela accensione	Bugie d'allumage	Spark plug	Zündkerze	●	●
41	RTCU900215	Raccordo candela accensione	Raccord pour bugie veilleuse	Fitting for pilot spark plug	Anschlussstück	●	●
42	RTFOC00128	Cavo accensione	Cable d'allumage	Lighting cable	Zündkabel	●	●
43	RTCP900089	Calotta Ø 14	Écrou pour tube Ø 14	Nut for pipe Ø 14	Mutter für schlauch Ø 14	●	●
44	RTFOC00241	Termocoppia cm. 100	Thermocouple cm. 100	Thermocouple 100 cm.	Thermoelement 100 cm.	●	●
45	RTFOC00091	Rampa alimentazione	Collecteur du four	Oven collector	Speiserampe	●	●
46	RFFOC00100	Guarnizione rampa	Garniture	Gasket	Dichtung	●	●

