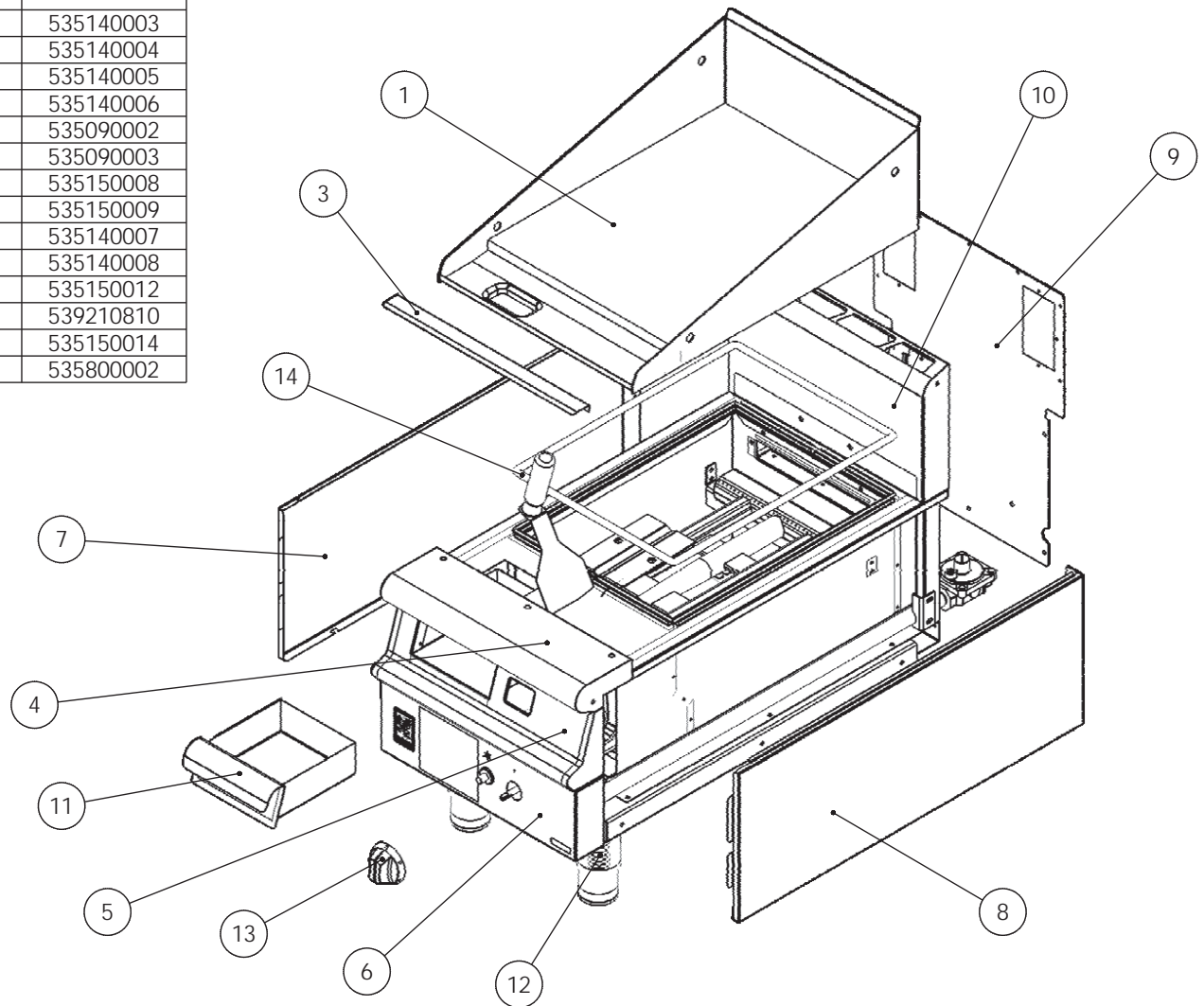


# DOMINATOR PLUS

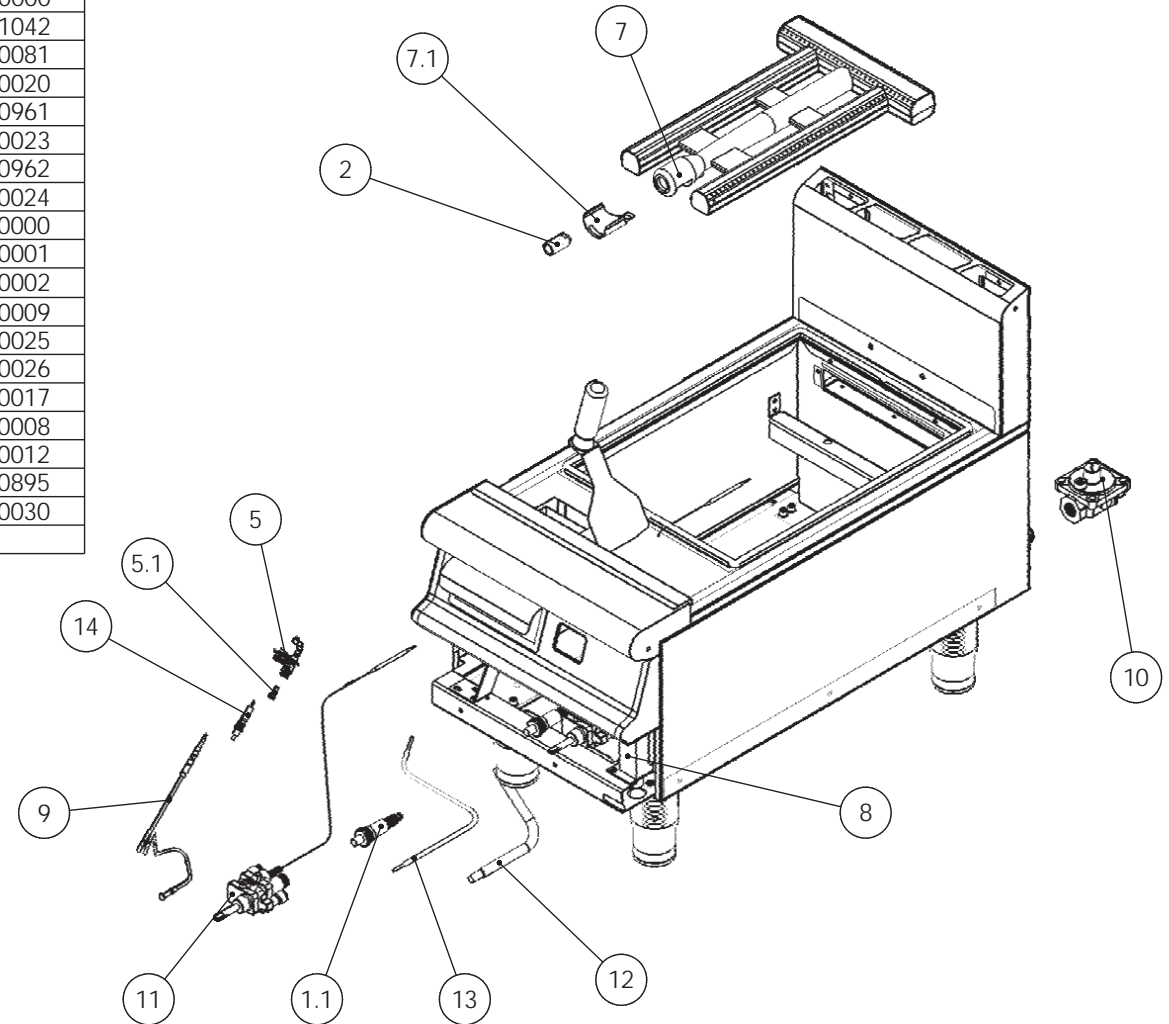
ITEM	DESCRIPTION	SPARES No
1	PLATE/ SPASHGUARD ASSY	535140003
2	RIBBED PLATE/ SPLASHGUARD ASSY(NOT SHOWN)	535140004
3	CAPPING CHANNEL	535140005
4	HOB ASSEMBLY	535140006
5	FRONT FACIA ASSEMBLY	535090002
6	LOWER CONTROL PANEL	535090003
7	OUTER SIDE LH	535150008
8	OUTER SIDE RH	535150009
9	OUTER BACK	535140007
10	OUTER FLUE	535140008
11	FAT JUG ASSEMBLY	535150012
12	ST/ ST ADJUSTABLE LEG	539210810
13	CONTROL KNOB	535150014
14	ROPE SEAL	535800002



Issue	Alteration	Date	Product	Document Reference
A	Initial Issue	13/03/14	G3441/3441R	AD49710

# DOMINATOR PLUS

ITEM	DESCRIPTION	SPARES No
1	SPARK IGNITER KIT (NOT SHOWN)	535150015
1.1	SPARK IGNITER	535010000
2	BURNER INJECTOR (NAT GAS)	535101042
3	BURNER INJECTOR (PROPANE)(NOT SHOWN)	531560081
4	BURNER INJECTOR HOLDER (PROPANE)(NOT SHOWN)	535820020
5	PILOT BURNER ASSY (NAT GAS)	535100961
5.1	PILOT INJECTOR (NAT GAS)	535820023
6	PILOT BURNER ASSY (PROPANE)(NOT SHOWN)	535100962
6.1	PILOT INJECTOR (PROPANE)(NOT SHOWN)	535820024
7	BURNER	535140000
7.1	BURNER AERATION SHROUD (NAT GAS)	535140001
7.2	BURNER AERATION SHROUD (PROPANE)(NOT SHOWN)	535140002
8	FLOATRAIL ASSEMBLY	535090009
9	THERMOCOUPLE	535820025
10	GAS GOVERNOR (NAT GAS ONLY)	535820026
11	THERMOSTAT VALVE	535150017
12	FLEXI PIPE KIT Ø 10 X 250	535010008
13	FLEXI PIPE KIT Ø 4 X 400	535010012
14	PILOT ELECTRODE	535100895
15	PRESSURE TEST NIPPLE	535820030



Issue	Alteration	Date	Product	Document Reference
A	Initial Issue	13/03/14	G3441/3441R	AD49711