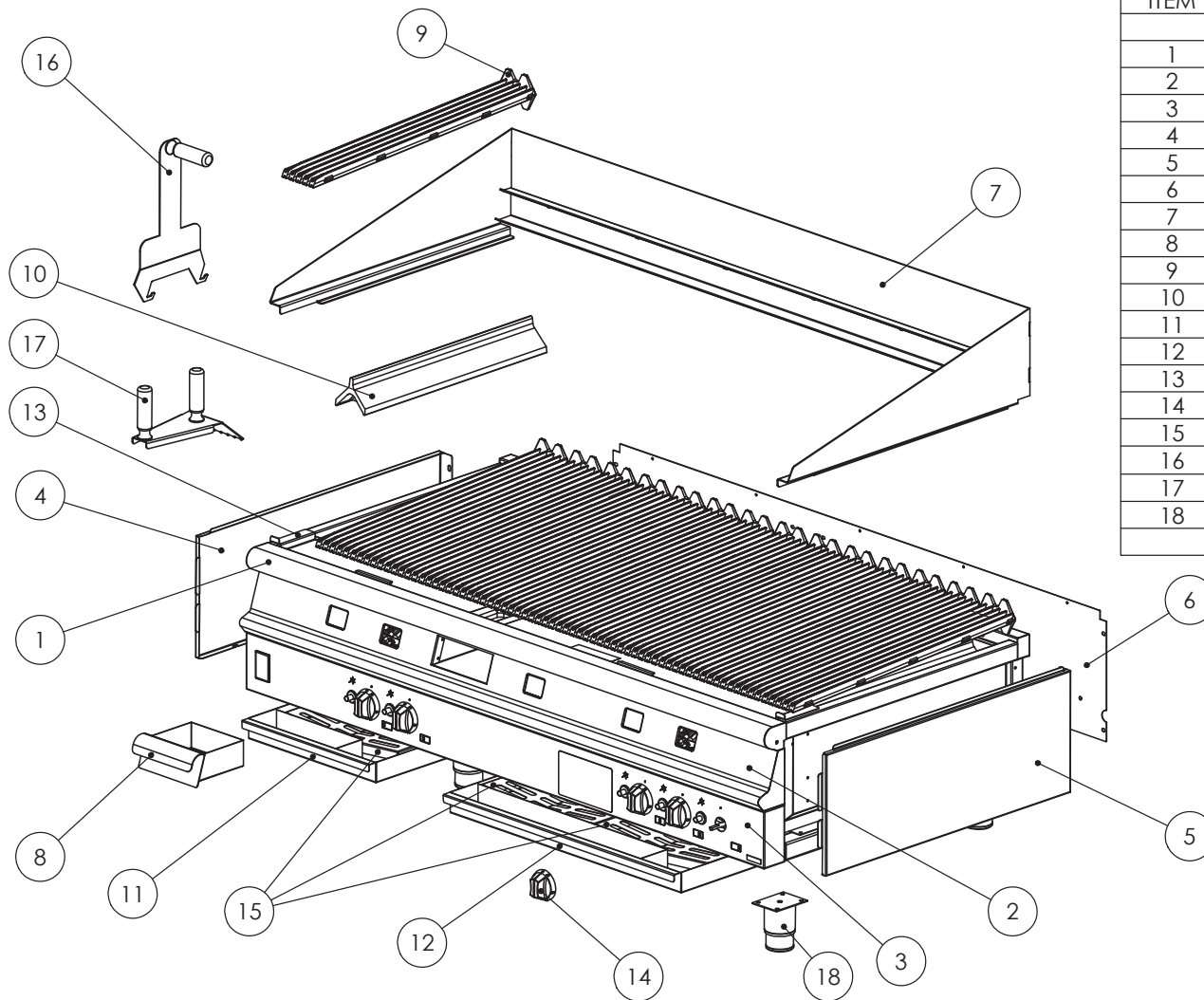


DOMINATOR PLUS

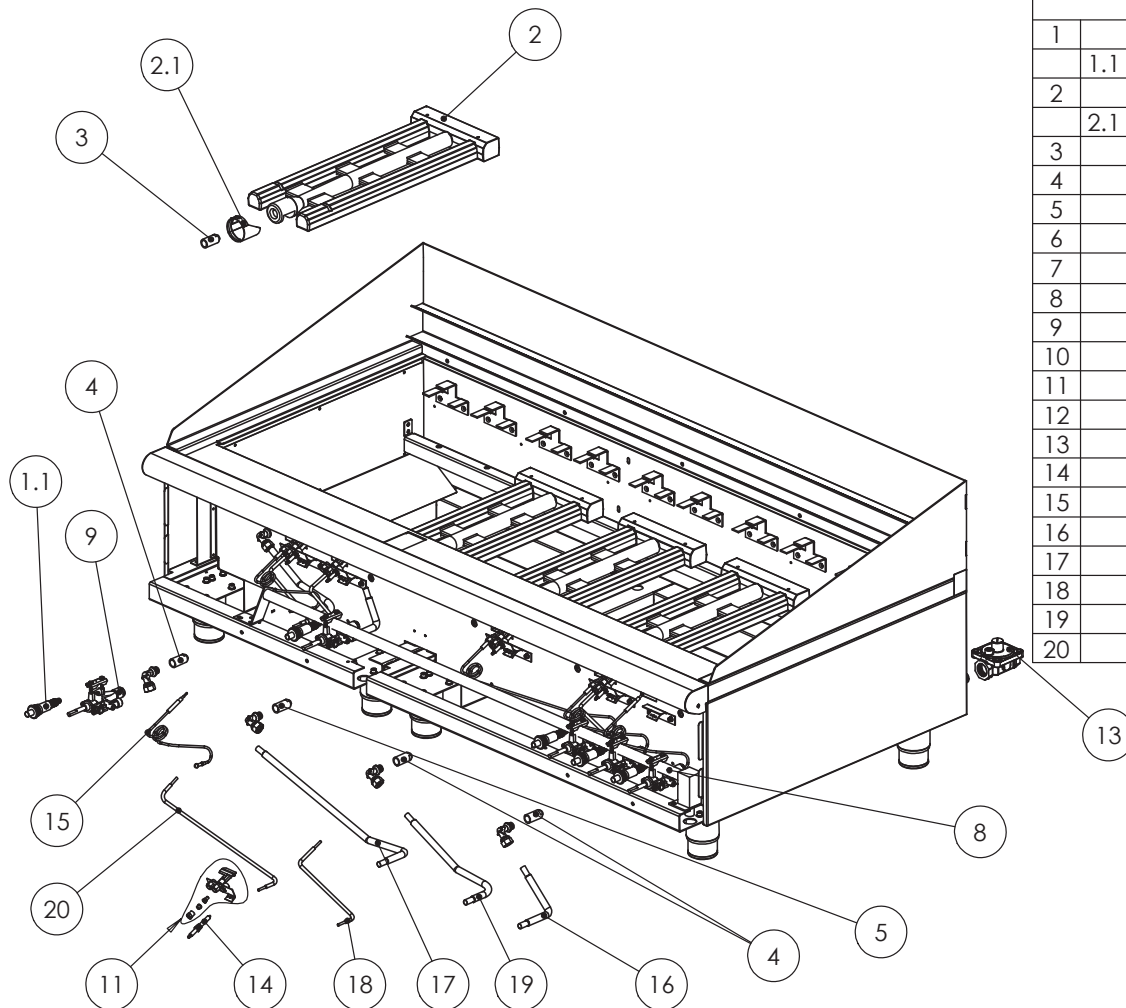


ITEM	DESCRIPTION	SPARES No
1	HOB ASSEMBLY	535080001
2	FRONT FACIA ASSEMBLY	535080002
3	LOWER CONTROL PANEL	535080003
4	OUTER SIDE LH	535150008
5	OUTER SIDE RH	535150009
6	OUTER BACK	535080004
7	SPLASH GUARD ASSEMBLY	535080005
8	FAT JUG ASSEMBLY	535050006
9	BRANDING GRID	535010013
10	BURNER BAFFLE	535010014
11	DRIP TRAY ASSEMBLY	535000011
12	DRIP TRAY ASSEMBLY	535010017
13	SPILL TRAY ASSEMBLY	535030003
14	CONTROL KNOB	535050007
15	DRIP TRAY DEFLECTOR PLATE	535050008
16	LIFTING TOOL	535010018
17	SCRAPER	536000046
18	ST/ ST ADJUSTABLE FEET	535150013



Issue	Alteration	Date	Product	Document Reference
A	Initial Issue	09/08/11	G31525	AD48874

DOMINATOR PLUS



ITEM	DESCRIPTION	SPARES No G31525	SPARES No G31525ES
1	SPARK IGNITER KIT (NOT SHOWN)	535150015	535150015
1.1	SPARK IGNITER	535010000	535010000
2	BURNER ASSY	535010015	535010015
2.1	AERATION SHROUD	531880785	531880785
3	BURNER INJECTOR(NAT GAS)	535030011	534101008
4	BURNER INJECTOR (NAT GAS)	535101022	535080006
5	BURNER INJECTOR (NAT GAS)	534101008	535080007
6	BURNER INJECTOR (PROPANE)(NOT SHOWN)	535830013	536000027
7	BURNER INJECTOR HOLDER (PROPANE)(NOT SHOWN)	535820020	535820020
8	FLOATRAIL ASSEMBLY	535030006	535030006
9	VALVE ASSEMBLY (NAT GAS)	535010028	535010028
10	VALVE ASSEMBLY (PROPANE)(NOT SHOWN)	536000038	536000038
11	PILOT BURNER ASSEMBLY (NAT GAS)	535010005	535010005
12	PILOT BURNER ASSEMBLY (PROPANE)(NOT SHOWN)	535010034	535010034
13	GOVERNOR ASSEMBLY (NAT GAS ONLY)	536000044	536000044
14	ELECTRODE	537742004	537742004
15	THERMOCOUPLE	537883018	537883018
16	PIPE KIT ϕ 10 X 250	535010008	535010008
17	PIPE KIT ϕ 10 X 500	535010010	535010010
18	PIPE KIT ϕ 4 X 400	535010012	535010012
19	PIPE KIT ϕ 10 X 350	535010009	535010009
20	PIPE KIT ϕ 4 X 565	535010011	535010011



Issue	Alteration	Date	Product	Document Reference
A	Initial Issue	09/08/11	G31525	AD48875