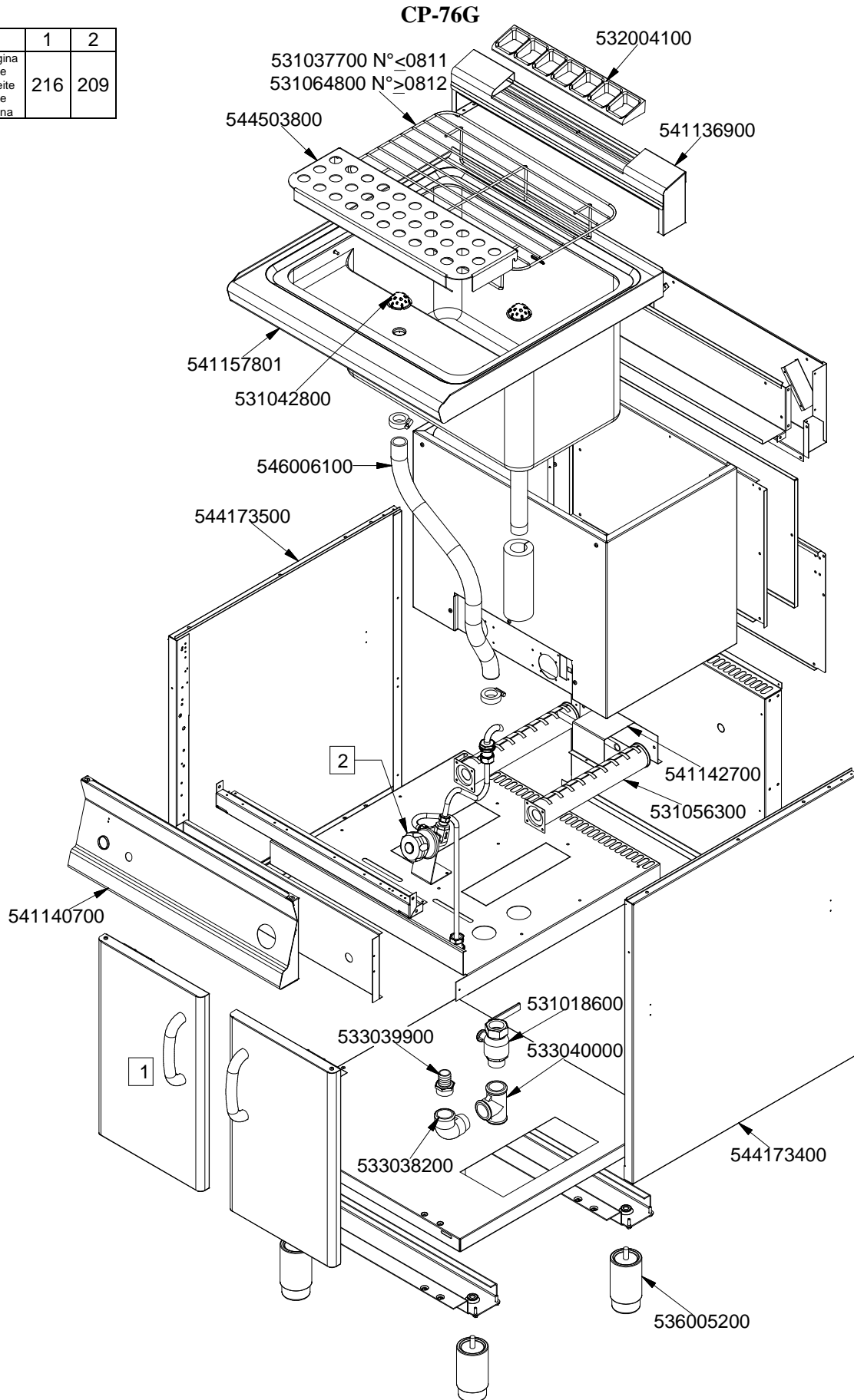


SUPERLOTUS 70≥0602

GAS / GAS / GAS / GAZ

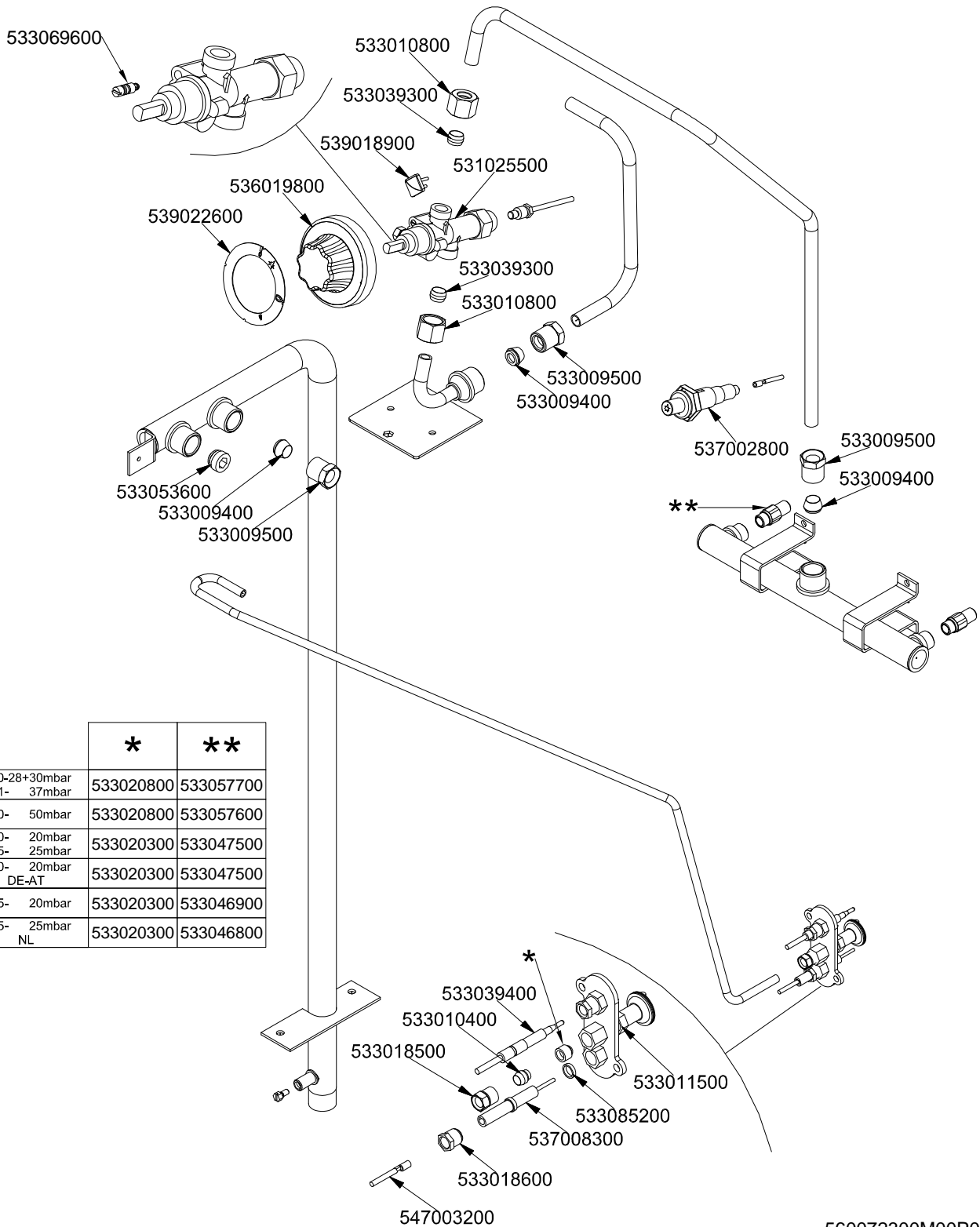
	1	2
Vedi Pagina See Page Siehe Seite Voir Page Ver Página	216	209



SUPERLOTUS 70≥0602

GAS / GAS / GAS / GAZ

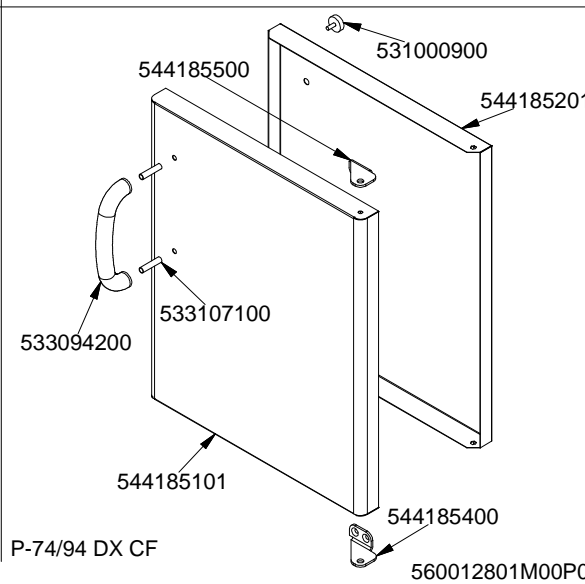
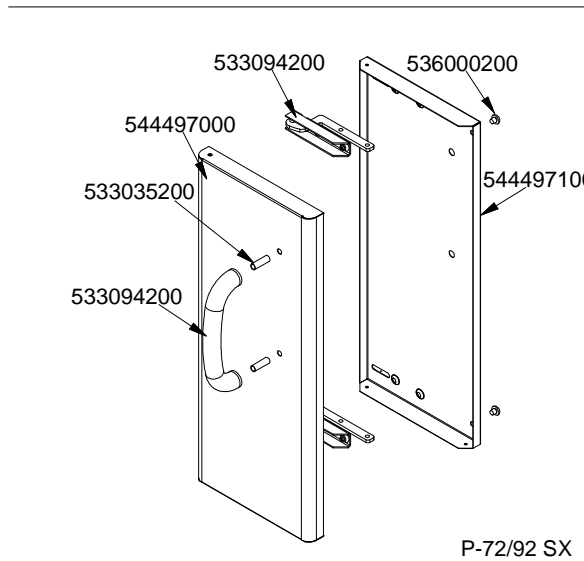
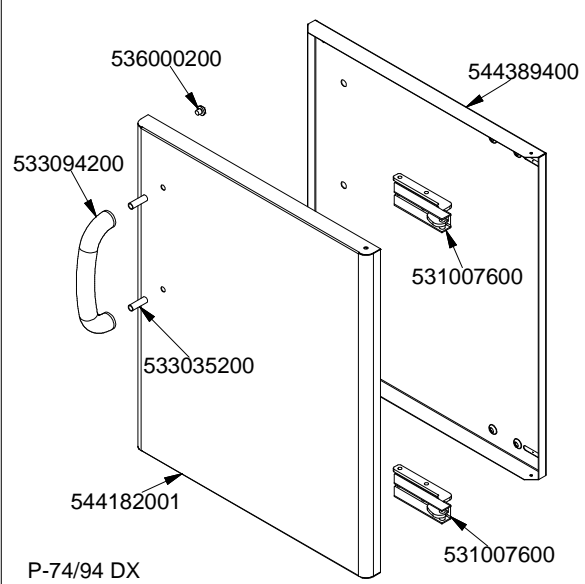
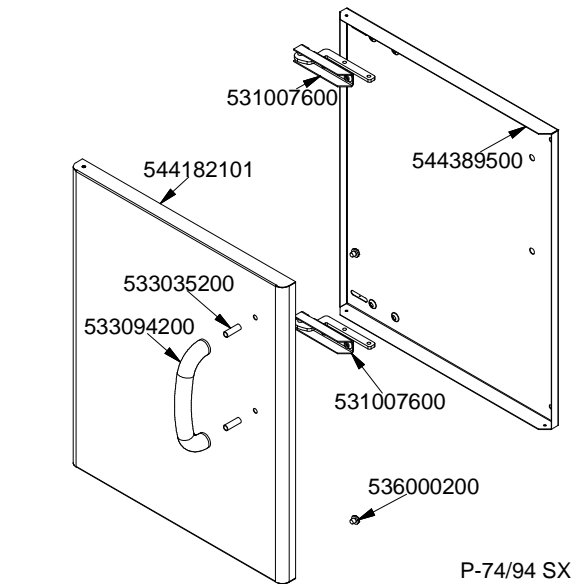
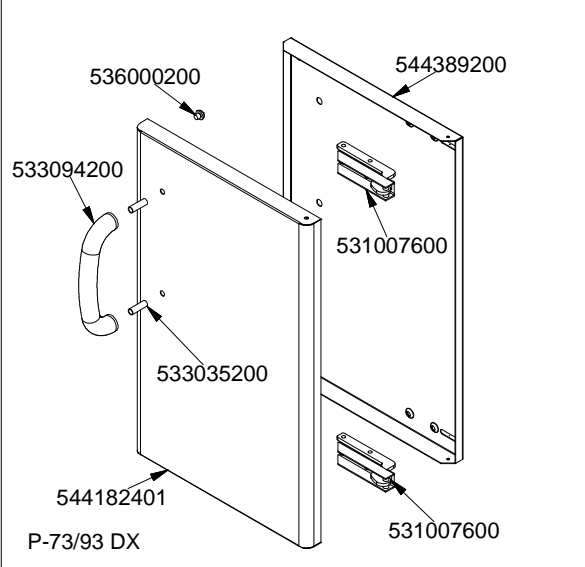
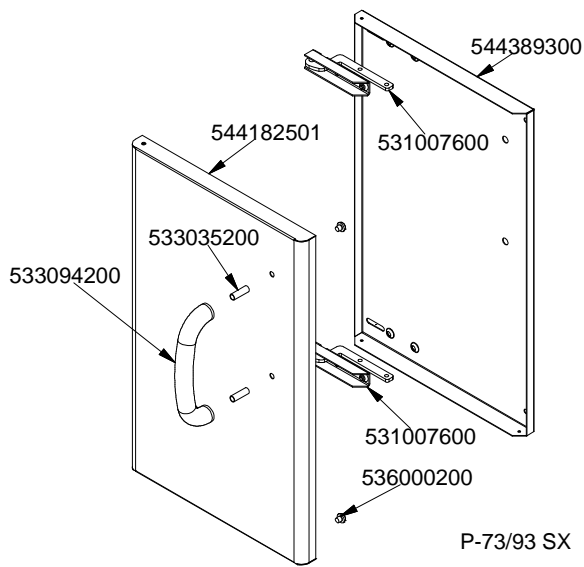
CP-76G



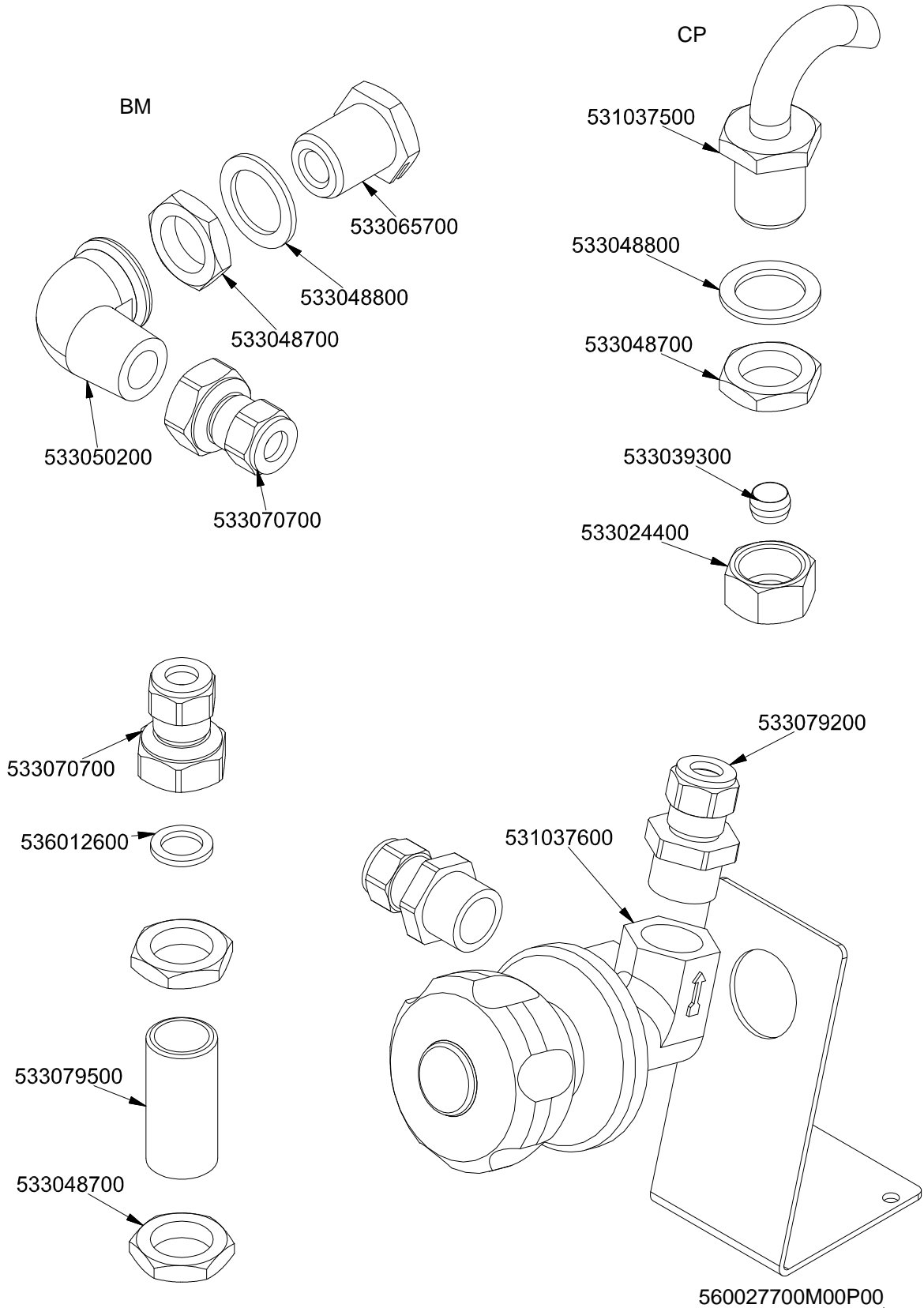
	*	**
G30-28+30mbar G31- 37mbar	533020800	533057700
G30- 50mbar	533020800	533057600
G20- 20mbar G25- 25mbar	533020300	533047500
G20- 20mbar DE-AT	533020300	533047500
G25- 20mbar	533020300	533046900
G25- 25mbar NL	533020300	533046800

560072300M00P00

PORTE / DOORS / FLÜGELÜREN / PORTES



BM CP



Page	Pos	Code	Description
001		532004100	FLUE GRID L=370 70LINE (RAF)
001		541136900	LOW SPACER 7 6
001		531037700	BASKET SUPPORT GRID CP 90
001		531064800	GRID FOR BASKET SUPPORT * CP-66
001		544503800	
001		541157801	UPPER PLATE CP-76G
001		531042800	SEMISPHERE FILTER
001		546006100	RUBBER TUBE §25INT.*§33EXT.*L=560
001		544173500	LEFT SIDE PANEL S.70
001		541142700	BURNER SUPPORT FT-76G CP-76G
001		531056300	BURNER TUB.07 KW CP-76G S70
001		541140700	CONTROL PANEL CP-76G
001		531018600	BALL VALVE 1"G M-F CPM-62G
001		533039900	PIPE HOLDER 1" G M D.24
001		533040000	1"G F-F-F "T" FITTING
001		533038200	1" G M-F ELBOW FITTING
001		544173400	RIGHT SIDE PANEL S.70
001		536005200	INOX LEG 2" 120-180 M10
002		533069600	BY PASS COCK §130 20S-21S
002		533010800	TUBE NUT D.10 M16*1,5
002		533039300	BICONE §10
002		539018900	INDEX FOR KNOB
002		531025500	GAS COCK 21S P.V.BY-PASS Ø130
002		536019800	BLACK KNOB §70 PIN §8*6,5
002		539022600	GRADUATED STICKER FOR KNOB
002		533009500	NIPPLE FOR BICONE 10S
002		533009400	BICONE 10S
002		537002800	PIEZOELECTRIC IGNITION M18
002		533053600	EUROSIT VALVE PLUG
002		533039400	THERMOCOUPLE M9*1*850
002		533010400	BICONE D.6
002		533018500	FITTING FOR BICONE D.6 M10*1
002		533011500	PILOT BURNER 2 FLAMES 220
002		533085200	
002		537008300	ROUND PLUG §2,4- LONG ELECTRODE
002		533018600	PLUG FITTING
002		547003200	HIGH-VOLTAGE CABLE TUBE.§2 L=500
002		533020800	NOZZLE 0160-FLUSS. (25)
002		533057700	NOZZLE §130A CH12*30 F-BRF74
002		533057600	NOZZLE §115A CH12*30 G-BRF74
002		533020300	NOZZLE 0160 (NATURAL GAS) 1-2 (41)
002		533047500	NOZZLE §205 CH12*30 ML-BM-8G
002		533046900	NOZZLE §225 CH12*30 G25 F1 25MBAR
002		533046800	NOZZLE §210 CH12*30 M-F1
003		544389300	
003		531007600	DOOR HINGE
003		544182501	LEFT DOOR 73
003		533035200	
003		533094200	S/S HANDLE FOR 70/90 SERIES
003		536000200	D.12 H.4 BUMPER
003		544389200	

Page	Pos	Code	Description
003		544182401	RIGHT DOOR 73
003		544389500	INNER-DOOR OF LHD 74
003		544182101	LEFT DOOR 74
003		544389400	
003		544182001	RIGHT DOOR 74
003		544497100	
003		544497000	
003		531000900	MAGNET §22 KG.3 WITH DISK
003		544185500	UPPER DOOR HINGE FOR COMPARTME CF70
003		544185201	
003		533107100	
003		544185101	RIGHT DOOR 74 CF
003		544185400	LOWER DOOR HINGE FOR COMPARTME CF70
004		533065700	FITTING FOR WATER INPUT 1/2G
004		533048800	GASKET §30*§21*2 FIBRE
004		533048700	NUT 1/2G ZN
004		533050200	90° 1/2 M/F ELBOW FITTING
004		533070700	FITTING 1/2G TUBE D10 + O-RING
004		531037500	
004		533039300	BICONE §10
004		533024400	HEXAGONAL NUT 1/2G TUBE D.10
004		533079200	FITTING 1/2G F.TUBE D10 + O-RING
004		536012600	GASKET §12,5*§18,5*2 1/2G
004		531037600	TAP FOR WATER LOADING 1/2"GF CP 90
004		533079500	