

# SCE170 SERVICE PARTS

This is the parts list for the SCE170. When looking up part numbers, always check the complete model and serial numbers to be certain of ordering the correct parts.

The SCE170 has been manufactured in A, B and C series configurations. It has also been manufactured in 50 and 60 Hz.

60 Hz model numbers end in -1, 50 Hz in -6.

Model number examples include:

- SCE170A-1A - A Series (Copeland Compressor)
- SCE170A-1B - B series (Tecumseh Comprssor)
- SCE170W-1C - C series (water cooled condenser change)

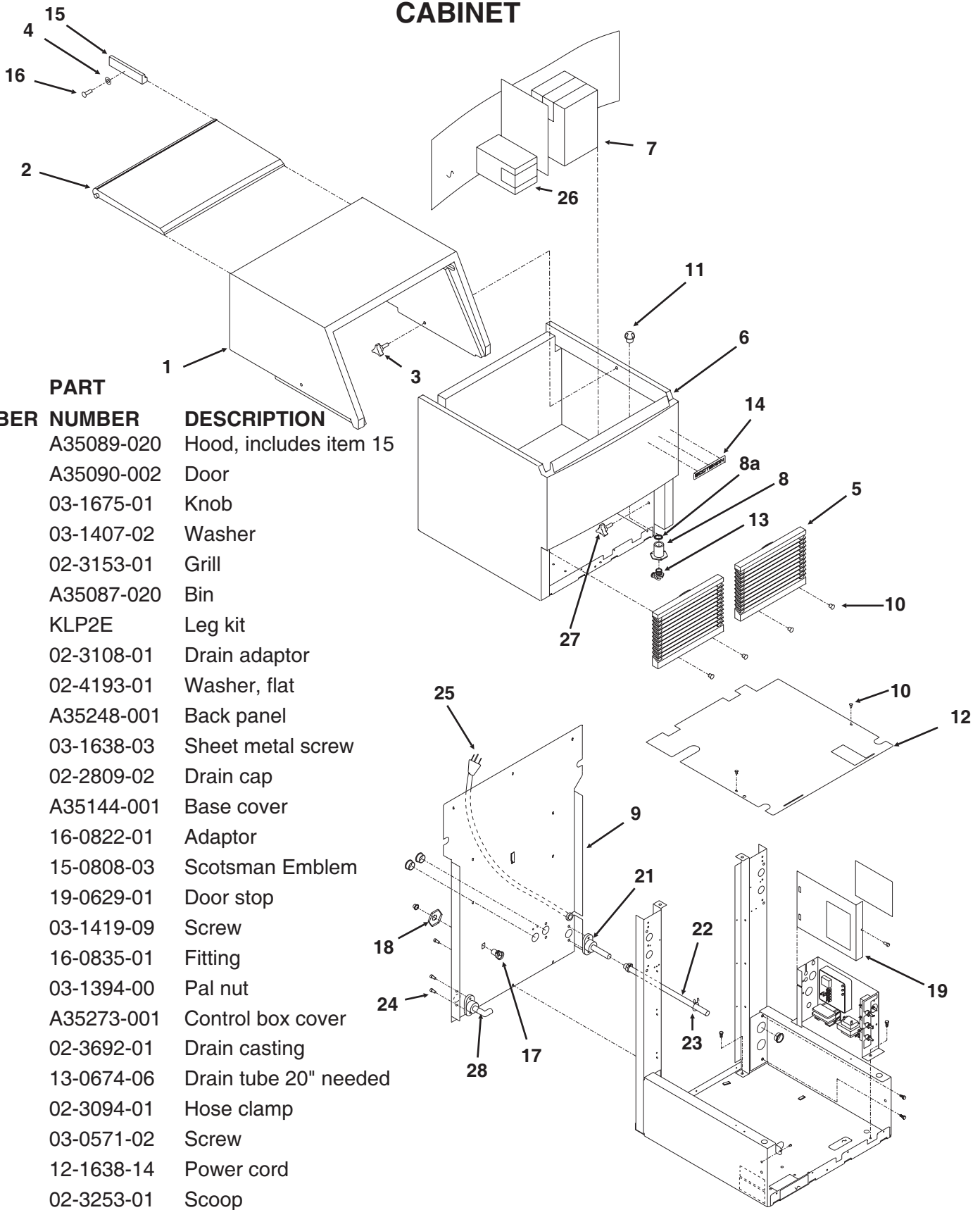
Plastic tubing that has a length measurement in the description is sold by the foot, order 1 unit, and 1 foot will be shipped. Order enough to cover the length required. Lengths of tubing are listed under the description column.

## TABLE OF CONTENTS

|                                      |        |
|--------------------------------------|--------|
| Cabinet . . . . .                    | Page 2 |
| Air cooled refrigeration . . . . .   | Page 3 |
| Water cooled refrigeration . . . . . | Page 4 |
| Refrigeration . . . . .              | Page 5 |
| Water & Control System . . . . .     | Page 6 |
| Control box . . . . .                | Page 8 |
| Wiring diagrams . . . . .            | Page 9 |

# SCE170 SERVICE PARTS

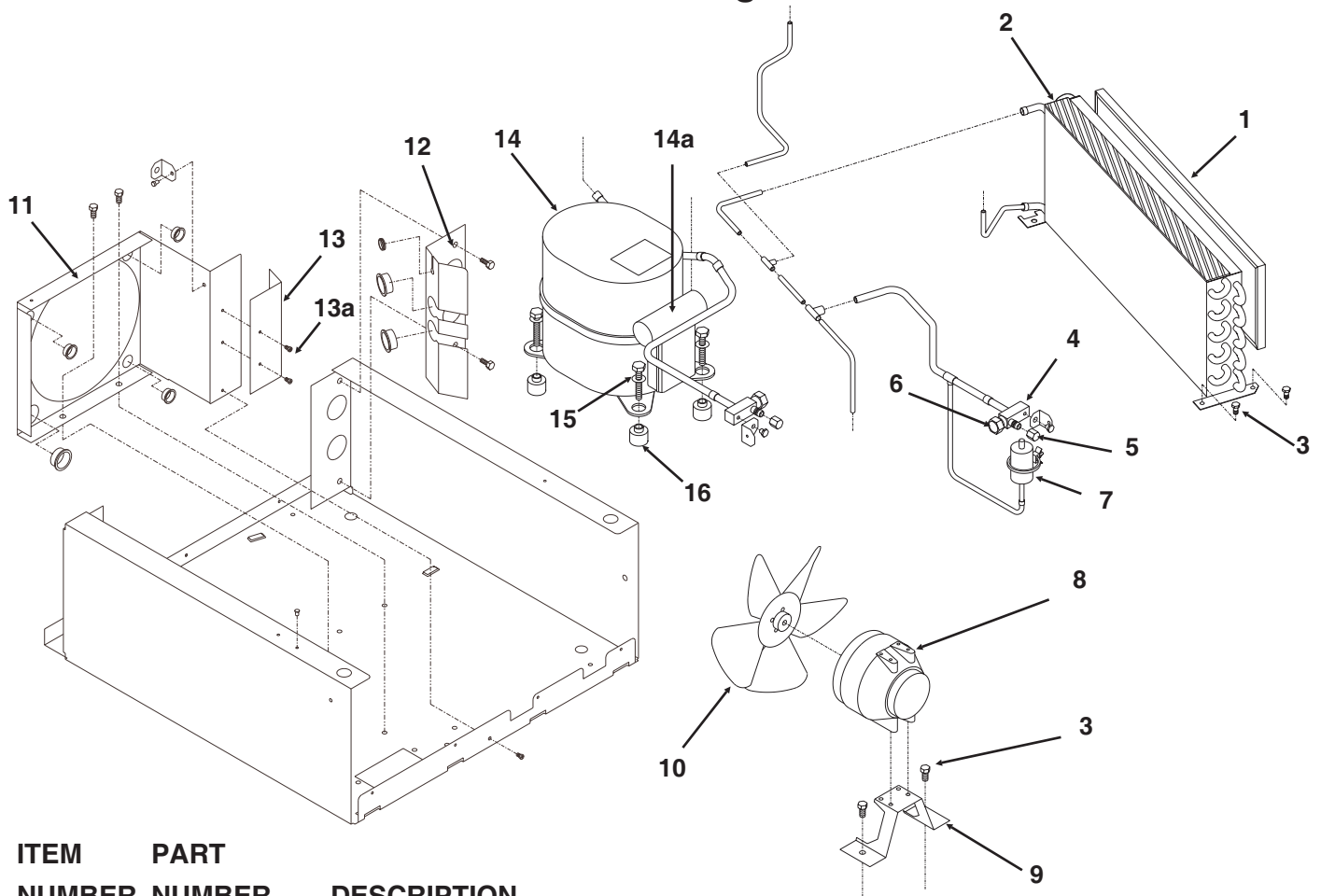
## CABINET



| ITEM NUMBER | PART NUMBER | DESCRIPTION            |
|-------------|-------------|------------------------|
| 1           | A35089-020  | Hood, includes item 15 |
| 2           | A35090-002  | Door                   |
| 3           | 03-1675-01  | Knob                   |
| 4           | 03-1407-02  | Washer                 |
| 5           | 02-3153-01  | Grill                  |
| 6           | A35087-020  | Bin                    |
| 7           | KLP2E       | Leg kit                |
| 8           | 02-3108-01  | Drain adaptor          |
| 8a          | 02-4193-01  | Washer, flat           |
| 9           | A35248-001  | Back panel             |
| 10          | 03-1638-03  | Sheet metal screw      |
| 11          | 02-2809-02  | Drain cap              |
| 12          | A35144-001  | Base cover             |
| 13          | 16-0822-01  | Adaptor                |
| 14          | 15-0808-03  | Scotsman Emblem        |
| 15          | 19-0629-01  | Door stop              |
| 16          | 03-1419-09  | Screw                  |
| 17          | 16-0835-01  | Fitting                |
| 18          | 03-1394-00  | Pal nut                |
| 19          | A35273-001  | Control box cover      |
| 21          | 02-3692-01  | Drain casting          |
| 22          | 13-0674-06  | Drain tube 20" needed  |
| 23          | 02-3094-01  | Hose clamp             |
| 24          | 03-0571-02  | Screw                  |
| 25          | 12-1638-14  | Power cord             |
| 26          | 02-3253-01  | Scoop                  |
| 27          | 03-1675-02  | Bin bolt\              |
| 28          | A31828-005  | Drain casting, no el   |
|             | 16-0239-01  | 5/8" street el         |

# SCE170 SERVICE PARTS

## Air Cooled Refrigeration



| ITEM NUMBER | PART NUMBER | DESCRIPTION             |
|-------------|-------------|-------------------------|
| 1           | 02-3193-01  | Air filter              |
| 2           | 18-8501-01  | AC Condenser for A      |
|             | 18-8844-01  | AC Condenser for B or C |
| 3           | 03-0571-02  | Screw                   |
| 4           | 16-0832-20  | Access valve            |
| 5           | 16-0832-03  | Core cap                |
| 6           | 16-0832-02  | Stem cap                |
| 7           | 11-0501-22  | Hi press. cut out       |
| 8           | 12-1681-23  | Fan motor, 115 volt     |
|             | 12-1681-04  | Fan motor, 230 volt     |
| 9           | A35246-001  | Fan motor bracket       |
| 10          | 18-8708-01  | Fan blade               |
| 11          | A35261-001  | Fan shroud              |
| 12          | A35262-001  | Divider                 |
| 13          | A35274-001  | Filter bracket          |
| 13a         | 03-1638-03  | Screw                   |
| 14          | A37824-021  | 115 volt compressor kit |
|             | 18-8831-26  | 230/50/1 compressor kit |

includes relay, overload, drier and start capacitor

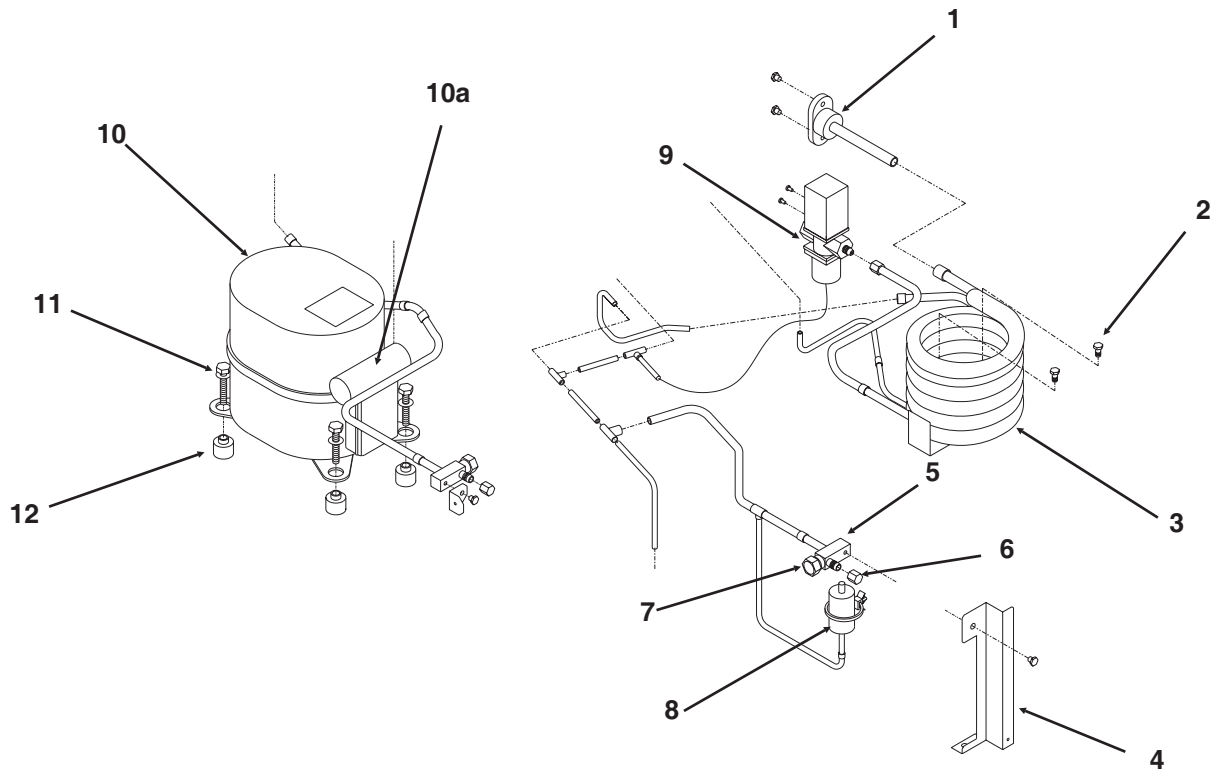
| ITEM NUMBER | PART NUMBER                           | DESCRIPTION     |
|-------------|---------------------------------------|-----------------|
| 14a         | 115/60/1 Copeland Starting Components |                 |
|             | 18-1901-15                            | Start capacitor |
|             | 18-1903-49                            | Relay           |
|             | 18-8703-50                            | Overload        |
|             | 115/60/1 Tecumseh Starting Components |                 |
|             | 18-8831-29                            | Start capacitor |
|             | 18-8831-28                            | Start relay     |
|             | 18-8831-27                            | Overload        |
|             | 230/50/1 Tecumseh starting components |                 |
|             | 18-8831-25                            | Start capacitor |
|             | 18-8831-24                            | Start relay     |
|             | 18-8831-23                            | Overload        |

### Compressor Mounting Hardware:

|    |            |         |
|----|------------|---------|
| 15 | 03-1677-01 | Screw   |
|    | 03-1407-07 | Washer  |
|    | 18-2200-27 | Sleeve  |
| 16 | 18-2200-28 | Grommet |

# SCE170 SERVICE PARTS

## Water Cooled Refrigeration

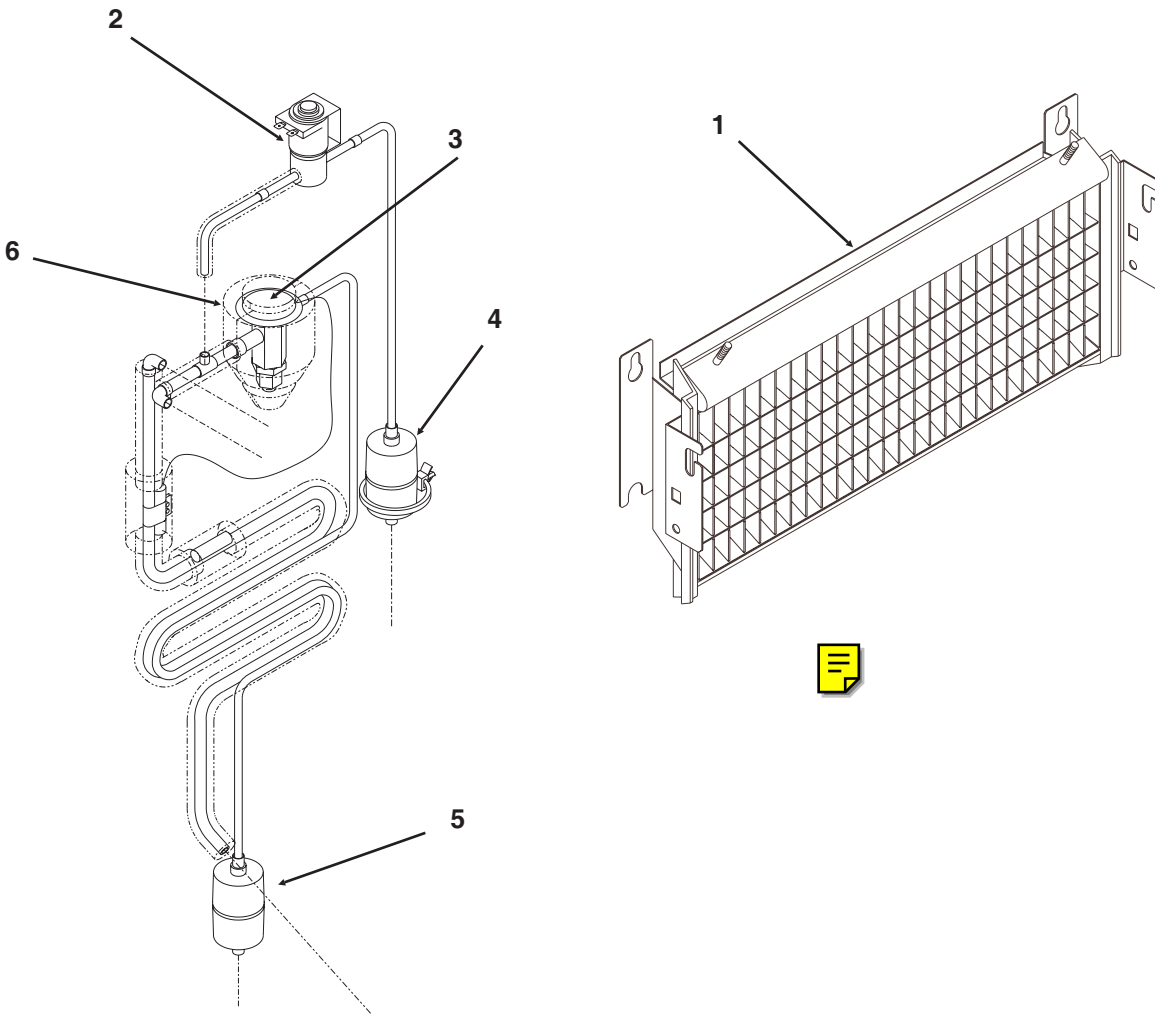


| ITEM NUMBER   | PART NUMBER | DESCRIPTION             |
|---|-------------|-------------------------|
| 1   | A31828-002  | Drain casting           |
| 2   | 03-0571-02  | Screw                   |
| 3   | 18-3707-20  | WC Condenser for A      |
|   | 18-3303-02  | WC Condenser for B      |
|   | 18-8869-21  | WC Condenser for C      |
| 4   | A35642-001  | Bracket                 |
| 5   | 16-0832-20  | Access valve            |
| 6   | 16-0832-03  | Core cap                |
| 7   | 16-0832-02  | Stem cap                |
| 8   | 11-0487-21  | Hi press. cut out       |
| 9   | 11-0478-21  | Water regulating valve  |
| 10  | A37824-021  | 115 volt compressor kit |
|   | 18-8831-26  | 230/50/1 compressor kit |
| includes relay, overload, drier and start capacitor |             |                         |

| ITEM NUMBER                   | PART NUMBER                           | DESCRIPTION     |
|-------------------------------|---------------------------------------|-----------------|
| 10a                           | Copeland Starting Components          |                 |
|                               | 18-1901-15                            | Start capacitor |
|                               | 18-1903-49                            | Relay           |
|                               | 18-8703-50                            | Overload        |
|                               | 115/60/1 Tecumseh Starting Components |                 |
|                               | 18-8831-29                            | Start capacitor |
|                               | 18-8831-28                            | Start relay     |
|                               | 18-8831-27                            | Overload        |
|                               | 230/50/1 Tecumseh starting components |                 |
|                               | 18-8831-25                            | Start capacitor |
|                               | 18-8831-24                            | Start relay     |
|                               | 18-8831-23                            | Overload        |
| Compressor Mounting Hardware: |                                       |                 |
| 11                            | 03-1677-01                            | Screw           |
|                               | 03-1407-07                            | Washer          |
|                               | 18-2200-27                            | Sleeve          |
| 12                            | 18-2200-28                            | Grommet         |

# SCE170 SERVICE PARTS

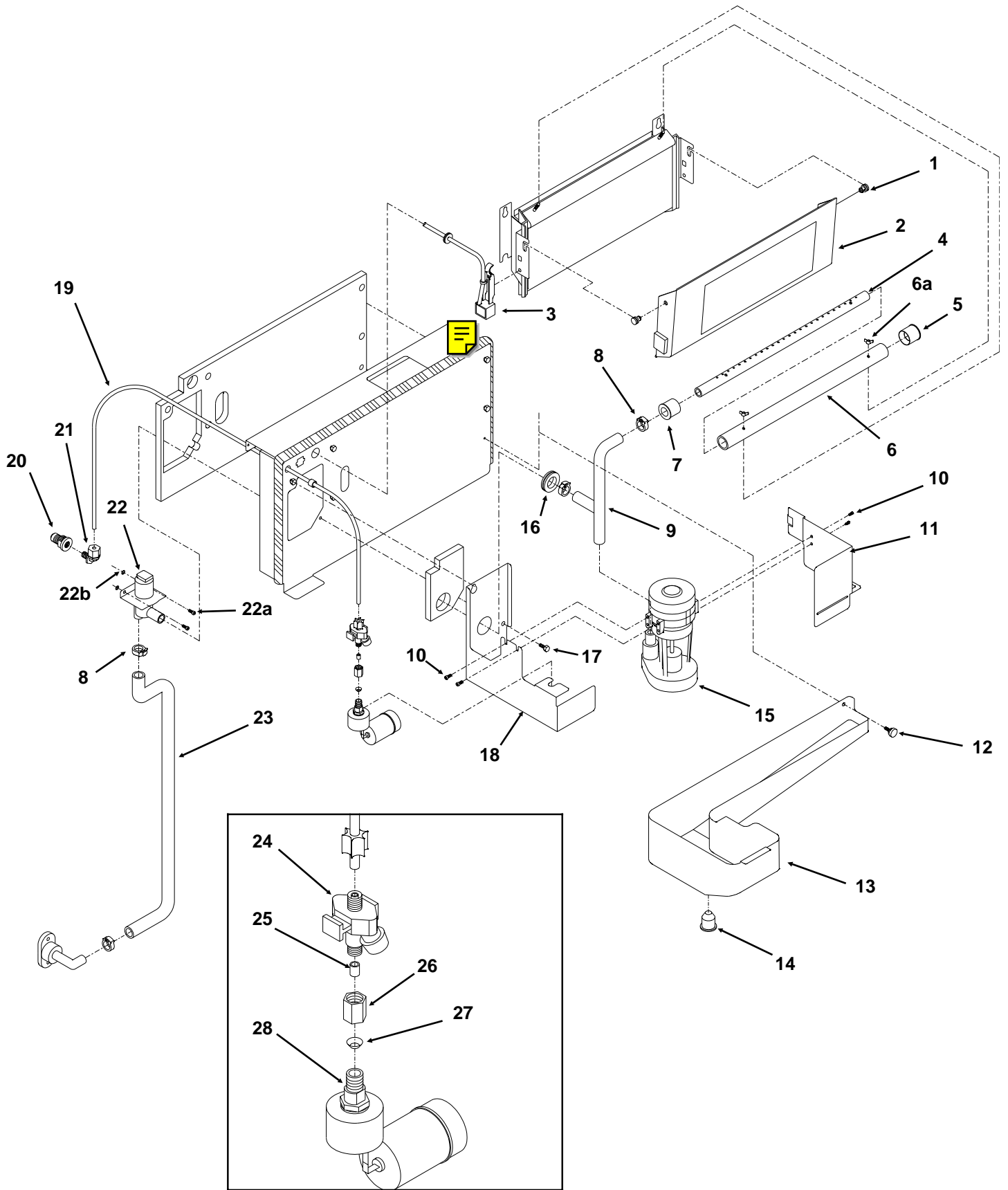
## Refrigeration System



| ITEM NUMBER | PART NUMBER | DESCRIPTION   |
|-------------|-------------|---|
| 1           | A35688-020  | Evaporator  |
| 2           | 11-0475-21  | Hot gas valve & coil, 115/60/1  |
|             | 11-0475-22  | Hot gas valve & coil, 230/50/1  |
| 3           | 16-0868-21  | Thermo expansion valve for A series   |
|             | 16-0868-22  | TXV for B or C series. Replaces 16-0868-02, 16-0868-03 or 18-0868-04 valves - locate bulb next to cube size control bulb. |
| 4           | 02-3231-01  | Hot gas valve filter  |
| 5           | 02-3319-01  | Dryer   |
| 6           | A36067-001  | Insulation  |

# SCE170 SERVICE PARTS

## Water & Control System



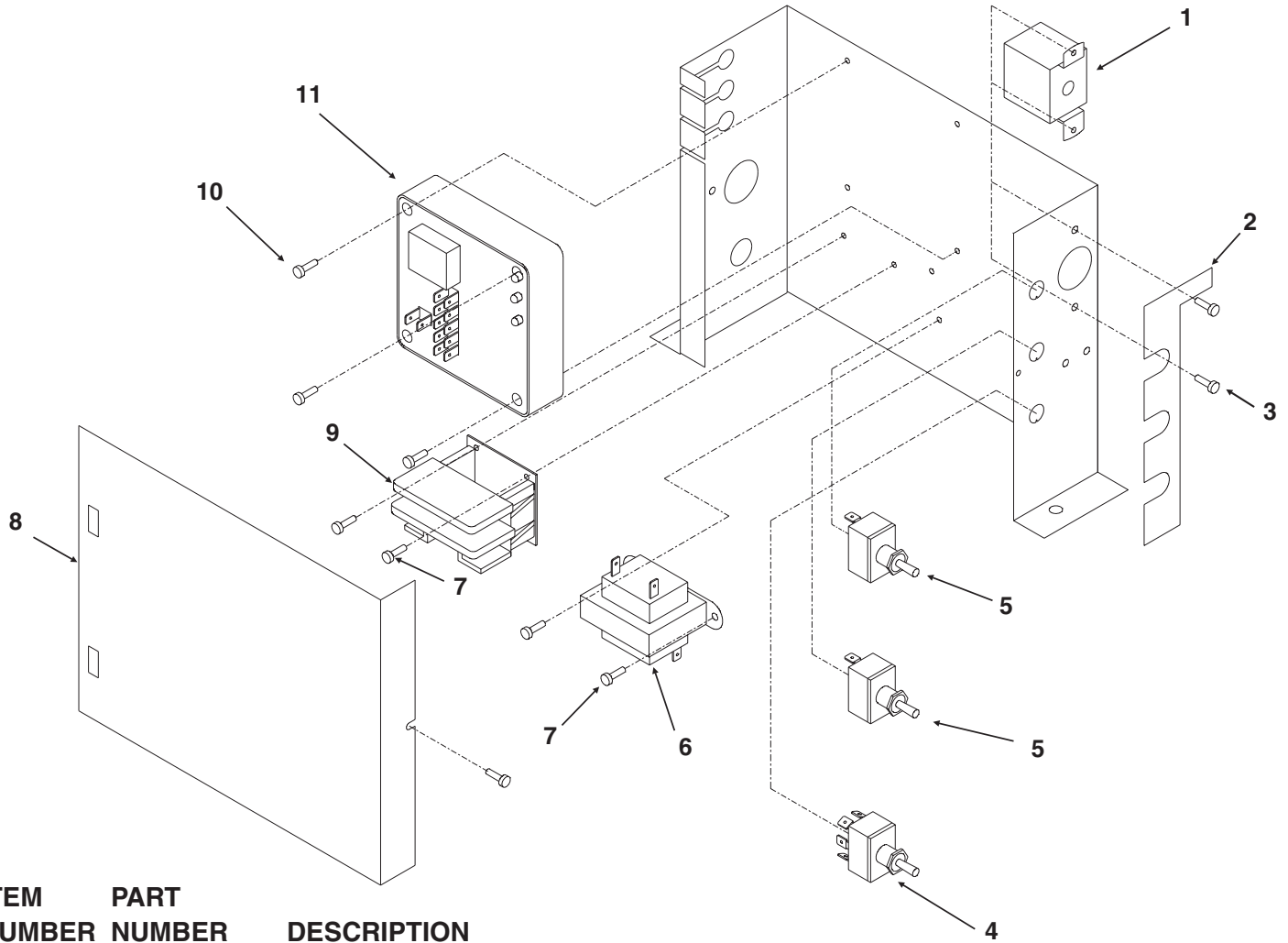
# SCE170 SERVICE PARTS

## Water & Control System

| ITEM NUMBER | PART NUMBER | DESCRIPTION                                 |
|-------------|-------------|---|
| 1           | 02-3278-01  | Hinge pin                                   |
| 2           | 02-3279-01  | Curtain                                     |
| 3           | 12-2436-22  | Curtain sensor                              |
| 4           | 02-3295-01  | Inner water tube                            |
| 5           | 02-3281-01  | Right end cap                               |
| 6           | 02-3294-01  | Outer water tube                            |
| 6a          | 03-0255-02  | SS wing nut                                 |
| 7           | A35669-001  | Left end fitting                            |
| 8           | 02-2814-08  | Hose clamp                                  |
| 9           | 02-3280-01  | Pump hose                                   |
| 10          | no number   | #8 - 36 1/4 " stainless steel machine screw |
| 11          | A35686-001  | Pump shield                                 |
| 12          | 03-0727-09  | Thumb screw                                 |
| 13          | 02-3276-01  | Reservoir                                   |
| 14          | 13-0840-01  | Drain plug                                  |
| 15          | 12-2419-71  | Water pump, 115/60/1                        |
|             | 12-2419-75  | Water pump, 230/50/1                        |
| 16          | 13-0896-01  | Grommet                                     |
| 17          | 03-0571-02  | Screw                                       |
| 18          | A35680-001  | Pump bracket                                |
| 19          | 13-0895-01  | Water inlet tube, 40" needed                |
| 20          | 16-1081-01  | Water inlet fitting                         |
| 21          | 16-0837-01  | Elbow fitting                               |
| 22          | 11-0480-01  | Purge valve, 115/60/1                       |
|             | 11-0480-02  | Purge valve, 230/50/1                       |
| 22a         | 03-1638-03  | Screw                                       |
| 22b         | 03-1684-01  | Retaining washer                            |
| 23          | 02-3287-01  | Purge drain tube                            |
| 24          | no number   | Water shut off valve - part of item 28      |
| 25          | 13-0895-01  | Water inlet tube 3/8" needed                |
| 26          | 16-0836-01  | Inverted flare                              |
| 27          | 16-0841-01  | Copper flare                                |
| 28          | 02-3612-01  | Float valve, includes item 24.              |

# SCE170 SERVICE PARTS

## Control Box



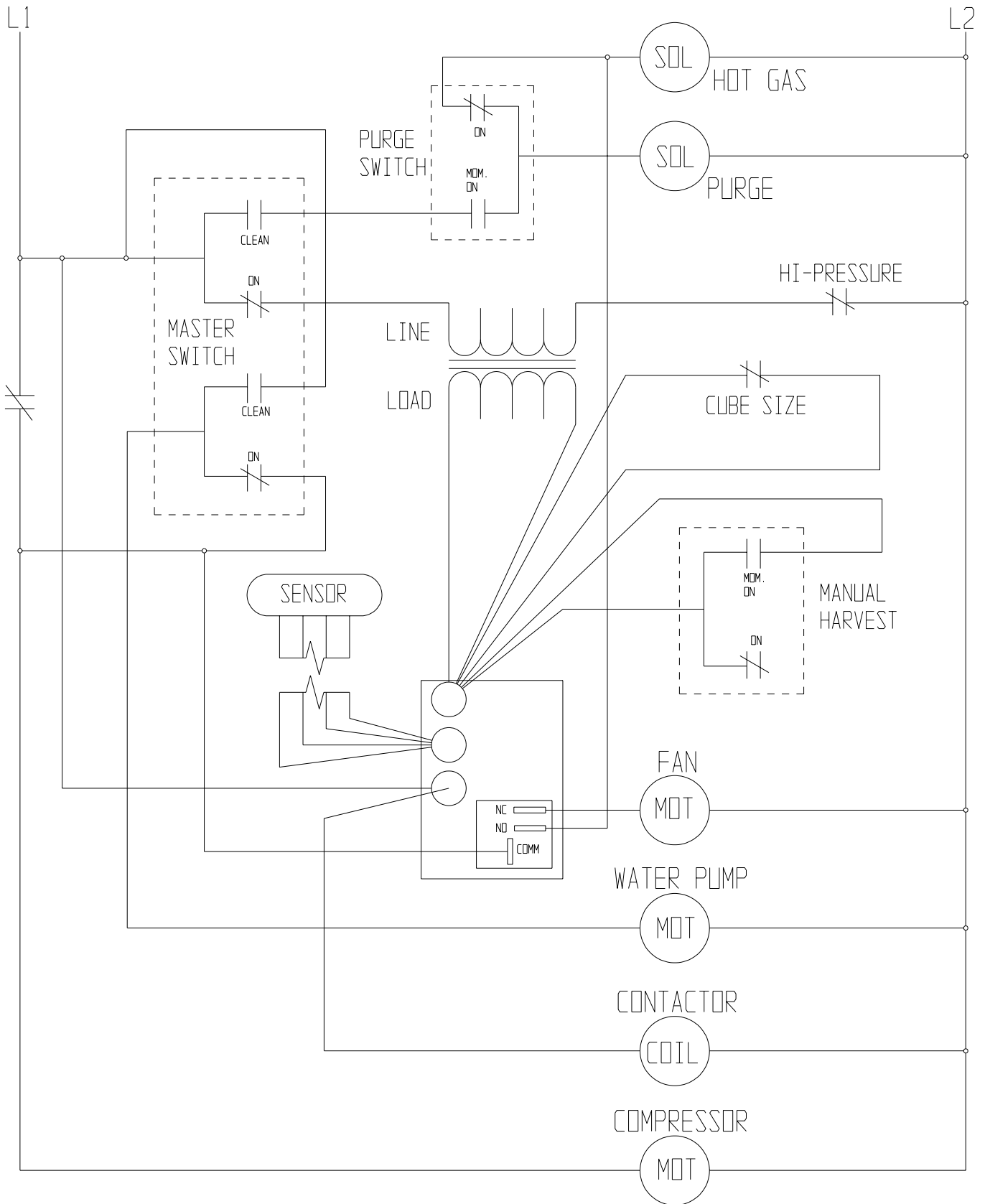
| ITEM NUMBER | PART NUMBER | DESCRIPTION                          |
|-------------|-------------|--------------------------------------|
| 1           | 11-0370-20  | Cube Size Control (bridge thickness) |
| 2           | no number   | Control box label                    |
| 3           | 03-1403-83  | Screw                                |
| 4           | 12-2255-01  | Toggle switch, DPDT                  |
| 5           | 12-2426-01  | Toggle switch, SPST                  |
| 6           | 12-2285-21  | Transformer, 115 to 12 volt          |
|             | 12-2639-01  | Transformer, 230 to 12 volt          |
| 7           | 03-1638-04  | Screw                                |
| 8           | A35273-001  | Control box cover                    |
| 9           | 12-2469-03  | Contactor, 115 volt coil             |
|             | 12-2469-02  | Contactor, 230 volt coil             |
| 10          | 03-1419-09  | Screw                                |
| 11          | 12-2436-21  | Control module                       |
| Not Shown   |             |                                      |
| 12          | 12-2686-01  | Fuse, only used on 50 Hz             |
|             | 12-2687-01  | Fuse holder, only used on 50 Hz      |



# SCE170 SERVICE PARTS

## Wiring Diagram

115/60/1 Air or Water Cooled

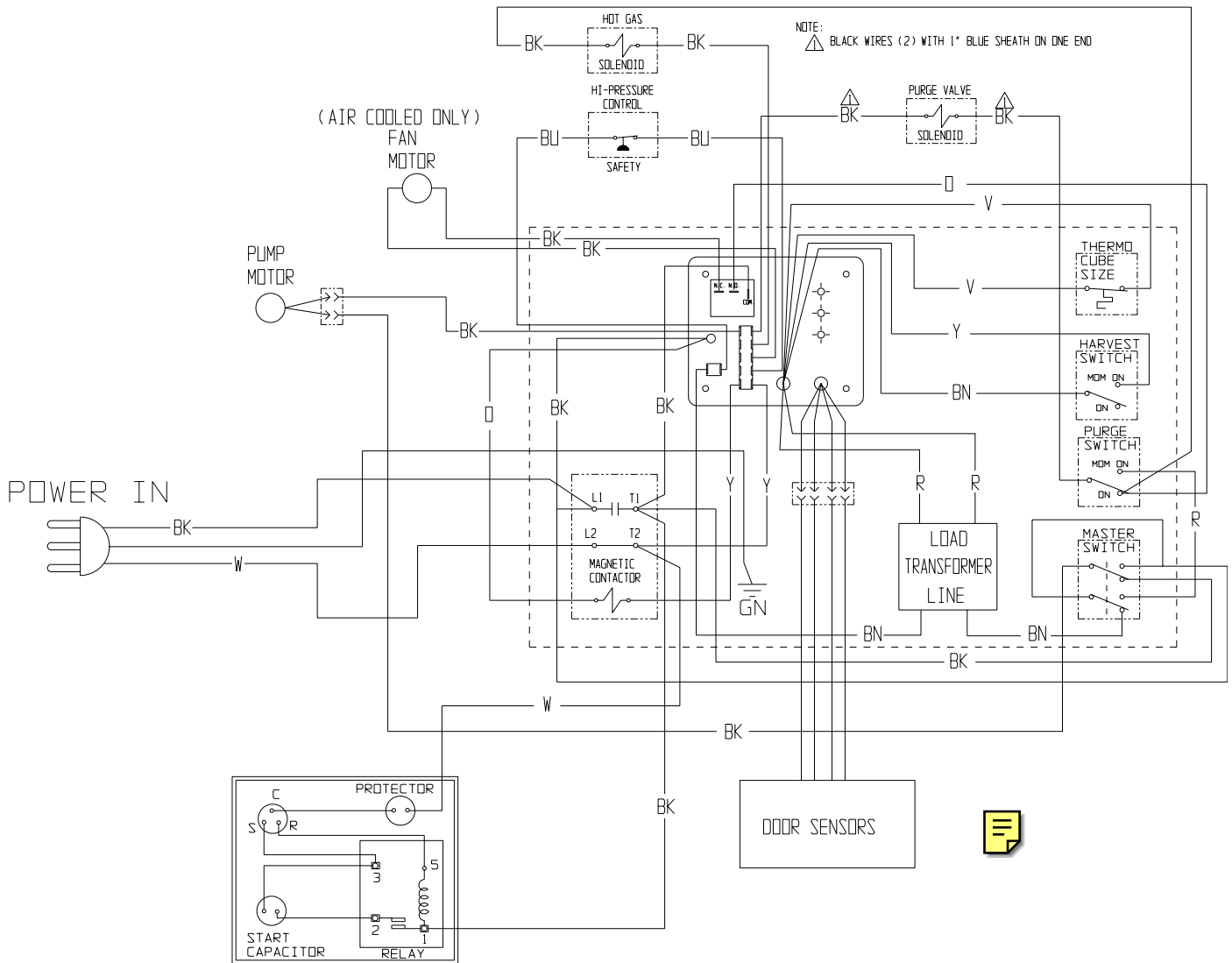


# SCE170 SERVICE PARTS

## Wiring Diagram

### 115/60/1 Air or Water Cooled

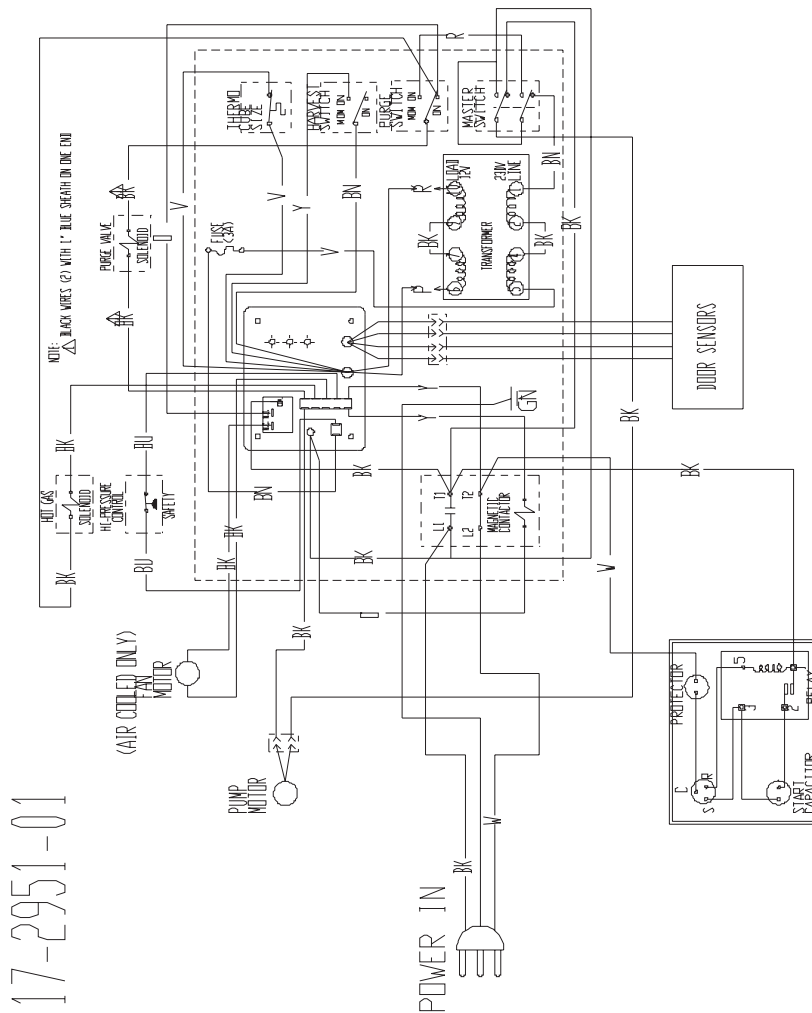
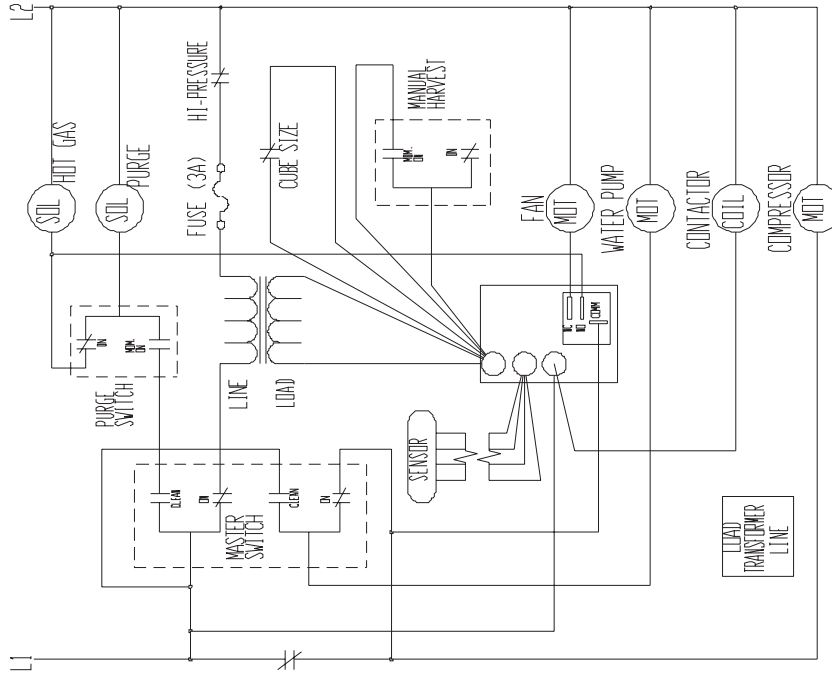
A36257-001



**Note: Shown in Timed Portion of Freeze Cycle  
Manual Purge Only Works in Clean**

# SCE170 SERVICE PARTS

## 230/50/1 Wiring Diagram



17-2951-01

NOTE: SHOWN IN TIMED PORTION OF FREEZE CYCLE  
MANUAL PURGE ONLY WORKS IN CLEAN