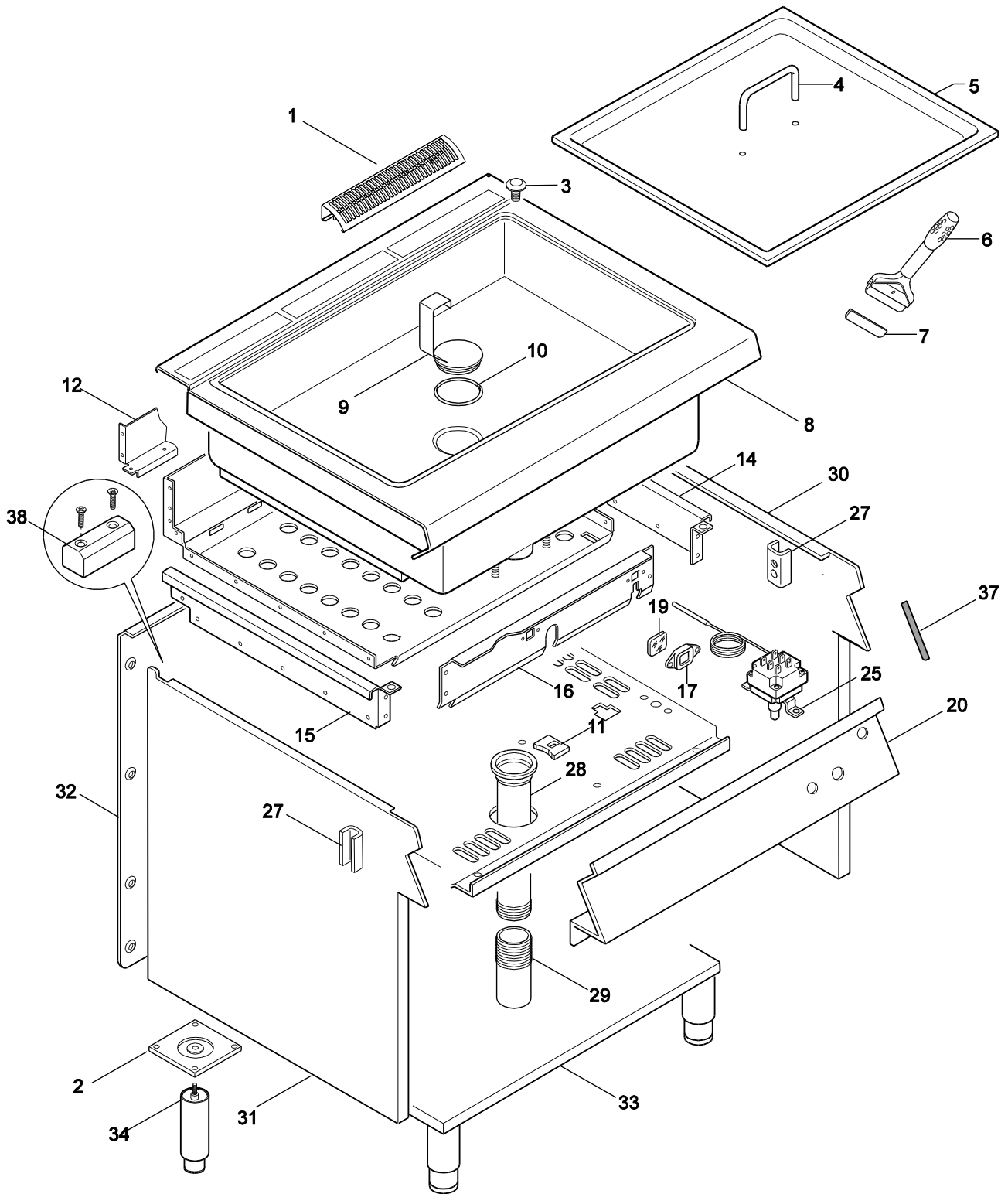


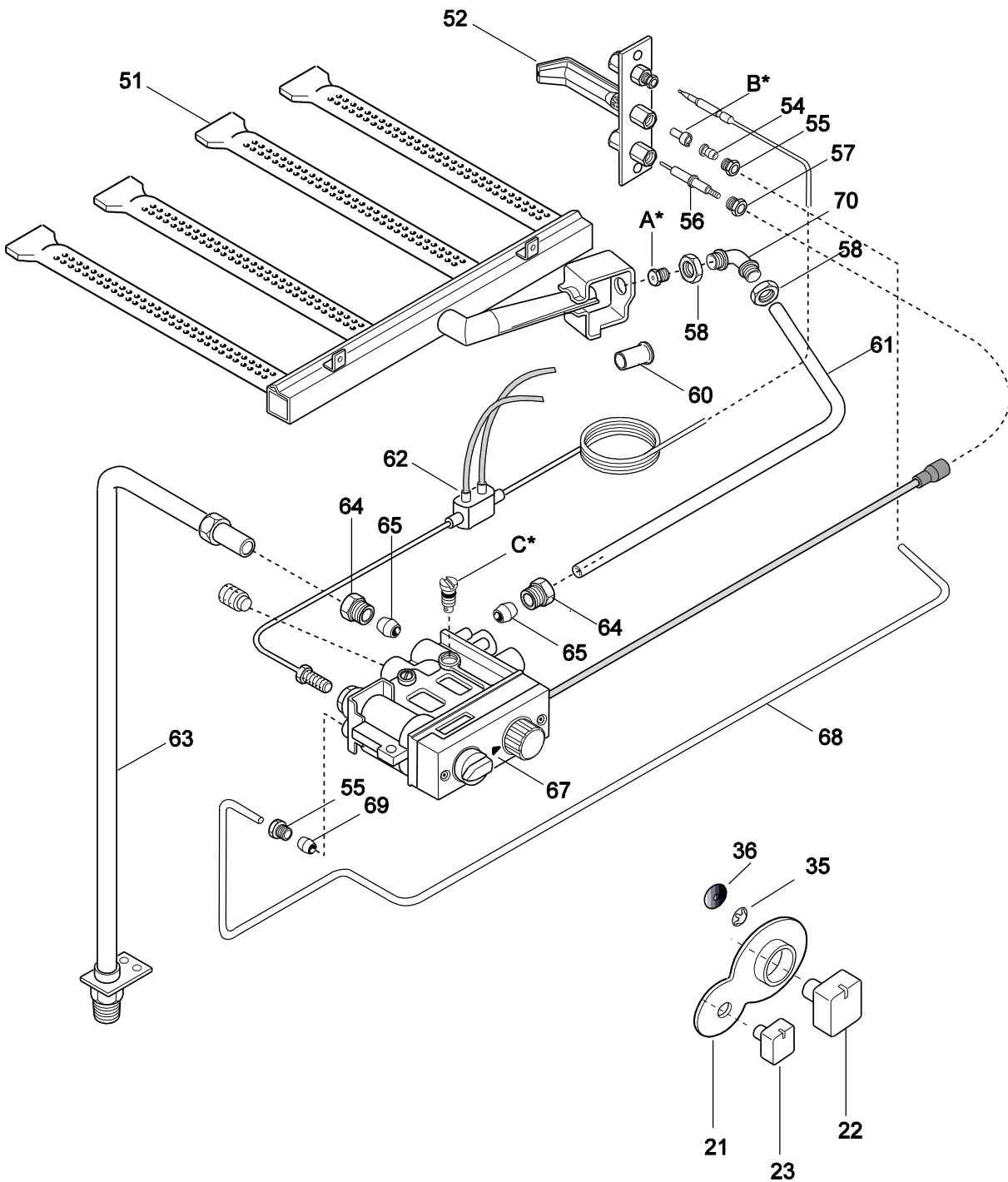
BRASIERA A VASCA FISSA E900 XP
BRASING PAN FIXED TANK E900 XP

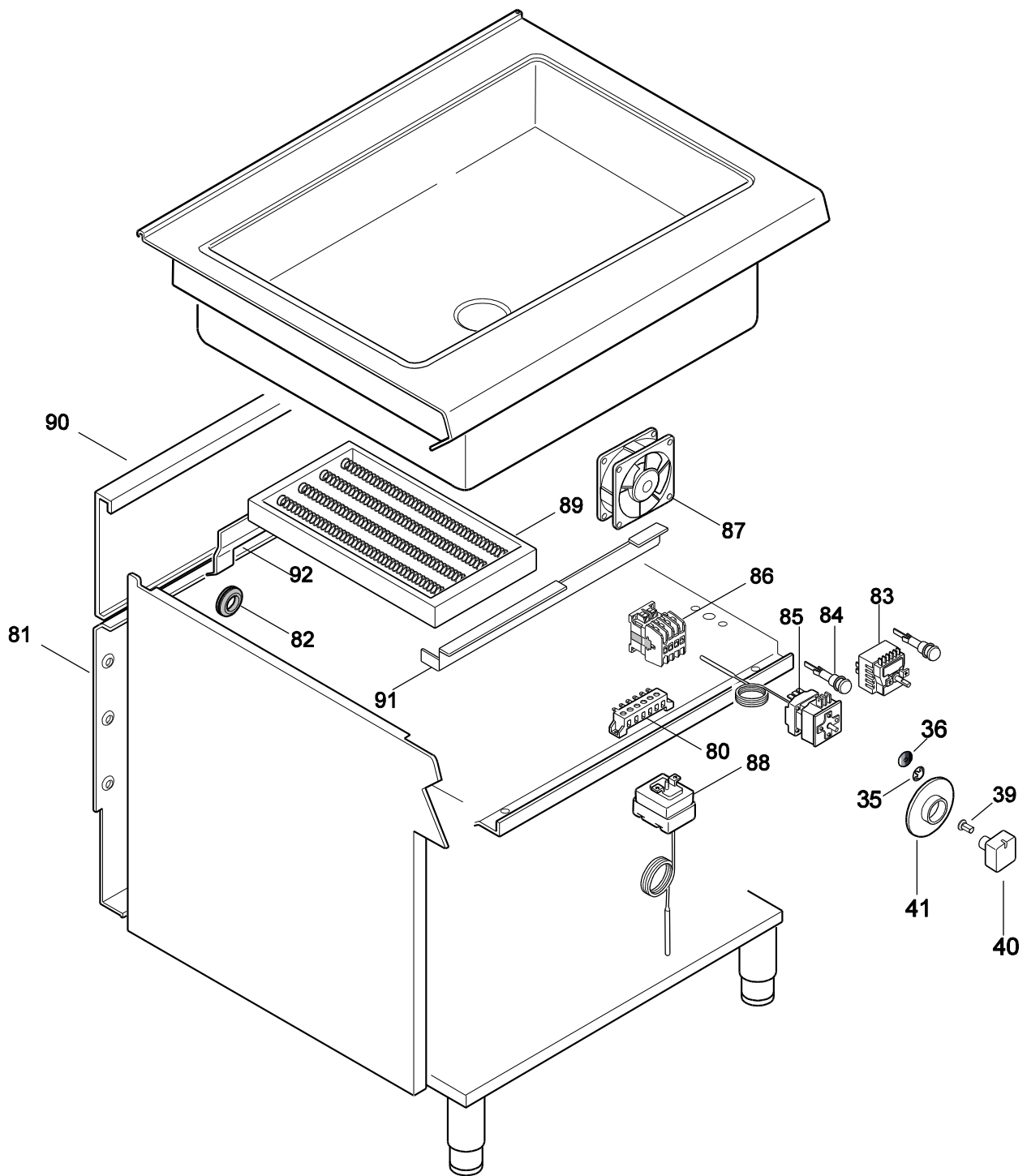
PNC	Model	Ref	Brand	Version	Notes
391142	E9MFGHDIO0	a	ELX	GAS	MULTICOOKER COMPOUND BOTTOM 22L
392142	Z9MFGHDIO0	c	ZAN	GAS	MULTICOOKER COMPOUND BOTTOM 22L
393142	A9MFGHDIO0	e	OEM	GAS	MULTICOOKER COMPOUND BOTTOM 22L
391151	E9MFEHDIO0	b	ELX	EL	MULTICOOKER COMPOUND BOTTOM 22L
392151	Z9MFEHDIO0	d	ZAN	EL	MULTICOOKER COMPOUND BOTTOM 22L
393151	A9MFEHDIO0	f	OEM	EL	MULTICOOKER COMPOUND BOTTOM 22L

Pag	Index	Indice	Note
2	Gas model frame	Struttura modello Gas	
3	Gas components	Componenti Gas	
4	Electric model frame	Struttura modello Elettrico	
5,6,7	Spare parts list	Lista ricambi	

Brand/Marchio: All
Factory code: 9PDX







A - Ugello bruciatore / Burner nozzle ø60			
Spare part Code	Ref. / Notes		
058375	ø1.90	3+3B/P	G30 30mbar
056793	ø1.80	3B/P	G30 37mbar
0A2141	ø1.65	3B/P	G30 50mbar
0A2142	ø2.90	2H/2E+	G20 20mbar
056795	ø2.70	2H	G20 25mbar
0C2843	ø3.05	2L	G25 25mbar
0A2142	ø2.90	2K	G25.3 25mbar
002916	ø3.25	2ELL	G25 20mbar
0C2843	ø3.05	2S	G25.1 25mbar
0C9412	ø6.50	No CE	G110 8mbar

B - Ugello pilota / Pilot nozzle			
Spare part Code	Ref./ Notes		
054286	n°24	3+3B/P	G30 30mbar
054286	n°24	3B/P	G30 37mbar
054286	n°24	3B/P	G30 50mbar
054037	n°25	2H/2E+	G20 20mbar
054037	n°25	2H	G20 25mbar
054037	n°25	2L	G25 25mbar
054037	n°25	2K	G25.3 25mbar
054037	n°25	2ELL	G25 20mbar
054037	n°25	2S	G25.1 25mbar
054038	n°45	No CE	G110 8mbar

C - Vite di minimo / Min screw ø60			
Spare part Code	Ref./ Notes		
0C1734	n°150	3+3B/P	G30 30mbar
0C1734	n°150	3B/P	G30 37mbar
006475	n°130	3B/P	G30 50mbar
0C1735	n°260	2H/2E+	G20 20mbar
006472	n°225	2H	G20 25mbar
0C1735	n°260	2L	G25 25mbar
0C1735	n°260	2K	G25.3 25mbar
0C1735	n°260	2ELL	G25 20mbar
0C1735	n°260	2S	G25.1 25mbar
0C1735	n°260	No CE	G110 8mbar

BRASIERA A VASCA FISSA E900 XP
BRATT PAN FIXED TANK E900 XP

Pos	Factory Code	Spare part Code	Descrizione	Description	Ref./Note
1	50389LP00	0C7333	GRIGLIA CAMINO	EXHAUST GRID	
2	516878401	*	COPERTURA PIEDE		
3	830884801	004549	TAPPO PER RIPIANO	CAP, SCHELF	
4	511813800	004496	MANIGLIA COPERCHIO	HANDLE, LID	
5	F921690	*	COPERCHIO	LID	
6	805848202	055995	RASCHIETTO	SCRAPER	F164255
7	506887401	0C7017	LAMA PER RASCHIETTO	BLADE, SCRAPER	
8	87089B000	0C7902	RIPIANO-VASCA 1 MODULO	TANK-SCHELF, 1 MODULE	ELX - EL
8	87089BX00	0C7601	RIPIANO-VASCA 1 MODULO	TANK-SCHELF, 1 MODULE	ELX - GAS
8	87089BZ00	0C7603	RIPIANO-VASCA 1 MODULO	TANK-SCHELF, 1 MODULE	ZAN, OEM - EL
8	87089BY00	0C7602	RIPIANO-VASCA 1 MODULO	TANK-SCHELF, 1 MODULE	ZAN, OEM - GAS
9	541813D01	0C9001	TAPPO PER VASCA	PLUG	
10	543827300	006406	ANELLO DI TENUTA OR	O - RING	
11	522876801	*	PARETE ANT.CAMINO	WALL, CHIMNEY	
12	528844601	*	PARETE POST.CAMINO	WALL, CHIMNEY	
13	522876900	*	CAMERA DI COMBUSTIONE	COMBUSTION CHAMBER	
14	522876602	*	PARETE DX CAMERA DI COMB.	R.H. WALL, COMBUSTION CHAMBER	
15	522876702	*	PARETE SX CAMERA DI COMB.	L.H. WALL, COMBUSTION CHAMBER	
16	522877001	*	PARETE ANTER. CAMERA DI COMB.	FRONT WALL, COMB.CHAMBER	
17	275290025	057400	VETRO SPIA BRUCIATORE	INSPECTION GLASS, BURNER	
19	206260400	057382	CORNICE X VETRO SPIA	FRAME, INSPECTION GLASS	
20	85589AT00	0C7590	CRUSCOTTO 1 MODULO	CONTROL PANEL, 1 MOD.	ELX - GAS
20	85589AM00	0C7897	CRUSCOTTO 1 MODULO	CONTROL PANEL, 1 MOD.	ELX - EL
20	85089FY00	0C7585	CRUSCOTTO 1 MODULO	CONTROL PANEL, 1 MOD.	ZAN - GAS
20	85089FY00	0C7585	CRUSCOTTO 1 MODULO	CONTROL PANEL, 1 MOD.	ZAN - EL
20	50389RM00	0C8090	CRUSCOTTO 1 MODULO	CONTROL PANEL, 1 MOD.	OEM - GAS
20	50389NG00	0C8089	CRUSCOTTO 1 MODULO	CONTROL PANEL, 1 MOD.	OEM - EL
21	548877R00	0C7637	GHIERA VALVOLA GAS	KNOB RING, GAS VALVE	ELX - GAS
21	548876Q00	0C7329	GHIERA VALVOLA GAS	KNOB RING, GAS VALVE	ZAN - GAS
21	548876Q00	0C7329	GHIERA VALVOLA GAS	KNOB RING, GAS VALVE	OEM - GAS
22	511850D02	0C7330	MANOPOLA VALVOLA GAS	KNOB, GAS VALVE	ELX - GAS
22	548877Z01	0C7179	MANOPOLA VALVOLA GAS	KNOB, GAS VALVE	ZAN - GAS
22	548872700	0C5252	MANOPOLA VALVOLA GAS	KNOB, GAS VALVE	OEM - GAS
23	548863303	0C2021	MANOPOLA ACCENDITORE GAS	KNOB, GAS VALVE IGNITER	ELX - GAS
23	548878303	0C7181	MANOPOLA ACCENDITORE GAS	KNOB, GAS VALVE IGNITER	ZAN - GAS
23	548856603	0C0190	MANOPOLA ACCENDITORE GAS	KNOB, GAS VALVE IGNITER	OEM - GAS
25	646808102	004269	TERMOSTATO DI SICUREZZA VASCA	SAFETY THERMOSTAT, TANK	
27	527850500	0C0156	PIASTRINA FISS. FIANCHI	SIDE PANEL JOINTING PLATE	
28	806811601	0C2831	TUBO SCARICO VASCA	DRAIN PIPE, TANK	
29	830884901	0C2832	PROLUNGA PER TUBO SCARICO	EXTENSION, DRAIN PIPE	
30	050389HJ00	0CB153	FIANCO DESTRO	RIGHT PANEL	ELX
30	050389HL00	0CB154	FIANCO DESTRO	RIGHT PANEL	ZAN, OEM
31	050389HH00	0CB151	FIANCO SINISTRO	LEFT PANEL	ELX
31	050389HK00	0CB152	FIANCO SINISTRO	LEFT PANEL	ZAN, OEM
32	538844801	*	SCHIENALE	BACK PANEL	
33	509805F00	*	FONDO 1 MODULO	BOTTOM, 1 MODULE	
34	835856900	0C0204	PIEDE 1" 3/4 INOX	FOOT, 1" 3/4 INOX	
35	218912211	069567	ANELLO DI FISSAGGIO	RING CONNECTION	
36	541813800	0C6171	RONDELLA SILICONE	SILICONE GASKET	
37	543821900	0C2496	GUARNIZIONE CRUSCOTTO	GASKET, CONTROL PANEL	
38	516860702	0C0137	PIASTRA GIUNZIONE POSTERIORE	JOINT REAR PLATE	
39	548877V00	0C7345	ADATTATORE PER MANOPOLA	KNOB ADAPTER	ELX - EL

BRASIERA A VASCA FISSA E900 XP
BRATT PAN FIXED TANK E900 XP

<i>Pos</i>	<i>Factory Code</i>	<i>Spare part Code</i>	<i>Descrizione</i>	<i>Description</i>	<i>Ref./Note</i>
40	511850G01	0C6670	MANOPOLA	KNOB	ELX - EL
40	548878201	0C7232	MANOPOLA	KNOB	ZAN - EL
40	548865500	0A5621	MANOPOLA	KNOB	OEM - EL
41	548877T00	0C7344	GHIERA REGOLATORE ENERGIA	KNOB RING, ENERGY REGULATOR	ELX - EL
41	548877P00	0C7626	GHIERA MANOPOLA	KNOB RING	ELX - EL
41	54887A100	0C7533	GHIERA REGOLATORE ENERGIA	KNOB RING, ENERGY REGULATOR	ZAN, OEM - EL
41	548879Z00	0C7430	GHIERA MANOPOLA	KNOB RING	ZAN, OEM - EL
51	830888700	006471	BRUCIATORE	BURNER	
52	830828100	054032	BRUCIATORE PILOTA	PILOT BURNER	
54	515827401	053665	BICONO	DOUBLE CONE	
55	214164400	052125	RACCORDO	PIPE FITTING	
56	330272401	052610	ELETTRODO DI ACCENSIONE	SPARK PLUG	
57	214164101	057960	RACCORDO PER ELETTRODO	PIPE SPARK PLUG FITTING	
58	214105101	020997	CONTRODADO	LOCK NUT	
60	515885500	058302	AREATORE	AERATOR	
61	806838400	0C2833	CONDUTTURA VALVOLA GAS BRUCIATORE	PIPE, GAS VALVE BURNER	
62	831818901	0C3162	TERMOCOPPIA	THERMOCOUPLE	
63	806838200	0C2834	RIBALTA	MANIFOLD	
64	214191001	026783	RACCORDO VALVOLA GAS	PIPE FITTING FOR GAS VALVE	
67	835851301	0C5245	VALVOLA GAS	GAS VALVE	
68	517889701	0C2835	CONDUTTURA PILOTA	PILOT PIPE	
69	215199700	052127	BICONO	DOUBLE CONE	
70	511805801	059375	PORTAUGELLO	INJECTOR HOLDER	
80	A05714000	058613	MORSETTIERA	MAIN TERMINAL BLOCK	
81	530826701	*	SCHIENALE INFERIORE	LOWER BACK PANEL	
82	246530100	005382	GOMMINO PASSACAVO	CORE HITCH	
83	699802200	0C1605	REGOLATORE ENERGIA	ENERGY REGULATOR	
84	876800102	005011	LAMPADA SPIA GIALLA	YELLOW LAMP	
84	876800002	005010	LAMPADA SPIA VERDE	GREEN LAMP	
85	646805801	002109	INTERRUTTORE-TERMOSTATO	THERMOSTAT	
86	648807400	006879	CONTATTORE	CONTACTOR	
87	624808200	0C2378	VENTILATORE	FAN	
88	646808102	004269	TERMOSTATO DI SICUREZZA VASCA	SAFETY THERMOSTAT, TANK	
89	617821403	005942	RESISTENZA	HEATING ELEMENT	
90	538860200	*	SCHIENALE SUPERIORE	UPPER BACK PANEL	
91	533838501	*	SUPPORTO ANTERIORE RESISTENZE	FRONT SUPPORT, HEATING ELEM.	
92	533838501	*	SUPPORTO POST.RESISTENZE	BACK SUPPORT, HEATING ELEMENT	