

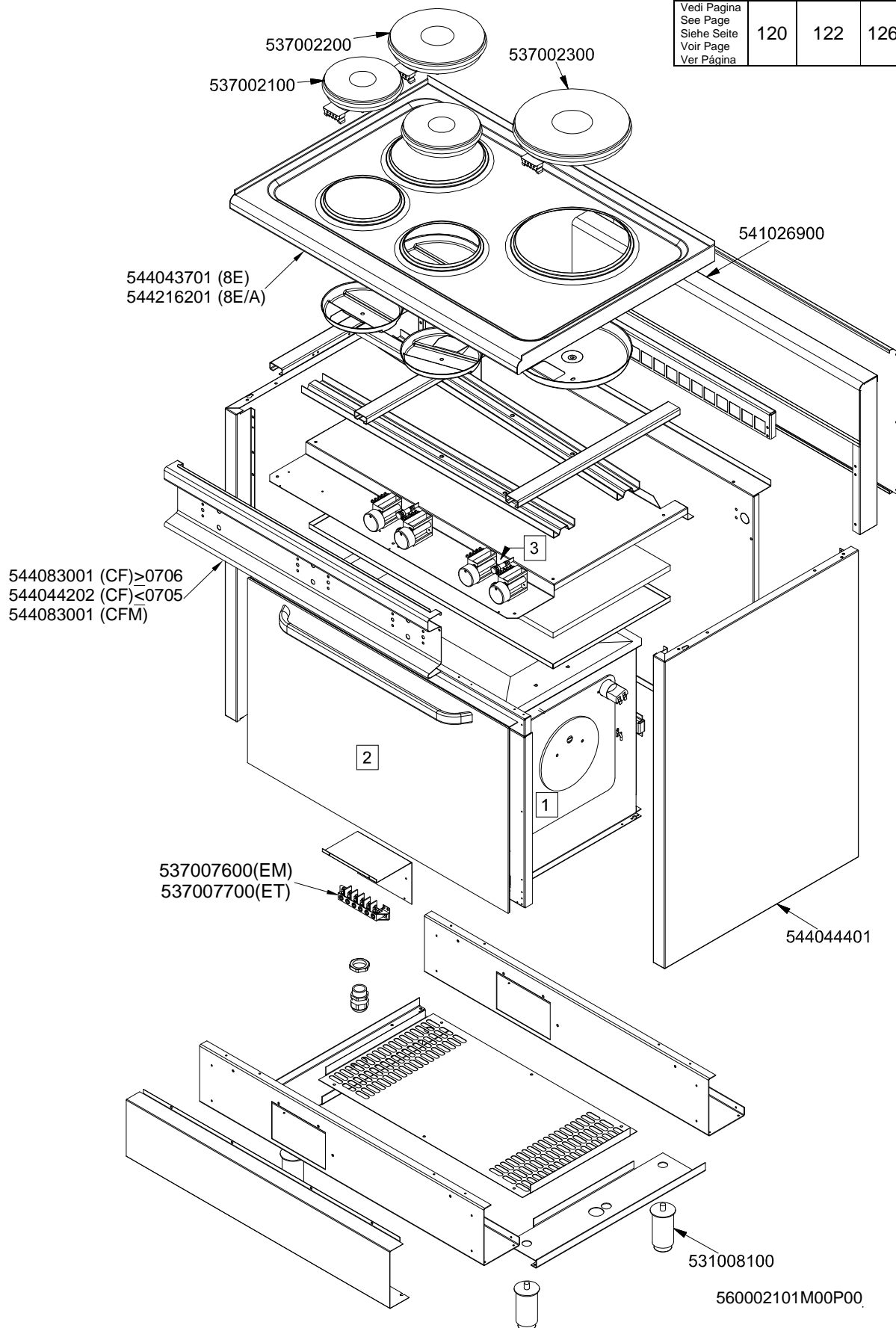
MAGIC SNACK 60

CUCINE / RANGES / HERDE / CUISINIÈRES / N° ≥0310

CF-8

CF-8EM CF-8ET CF-8EM/A CF-8ET/A CFM-8EM CFM-8ET CFM-8EM/A CFM-8ET/A

	1CF	1CFM	2	3
Vedi Pagina See Page Siehe Seite Voir Page Ver Pàgina	120	122	126	130

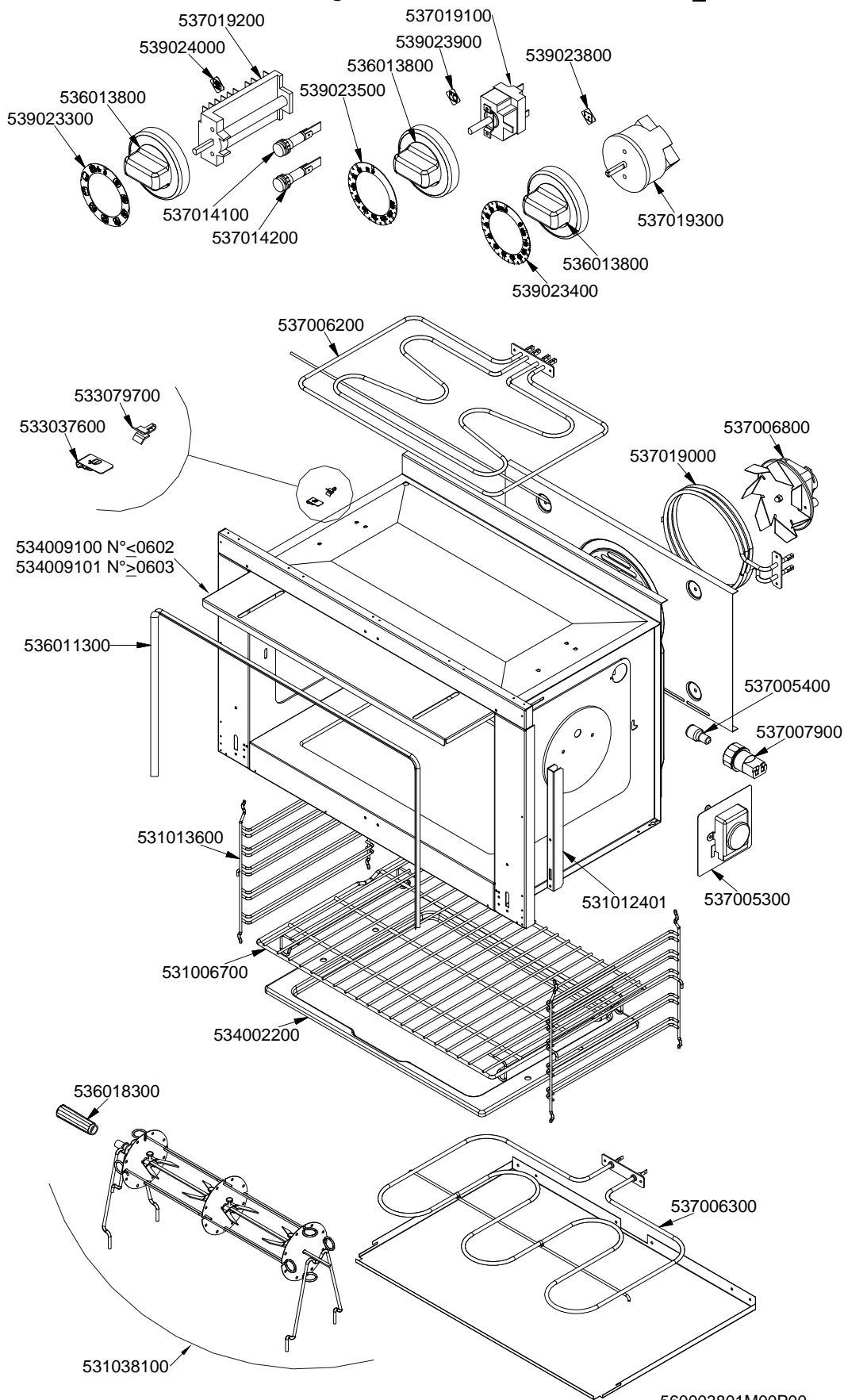


MAGIC SNACK 60

CUCINE / RANGES / HERDE / CUISINIÈRES / N° ≥ 0310

FORNO / OVEN / BACKOFEN / FOUR / CF-8 10 10/6

ELETTORICO MULTIFUNZIONE / MULTIFUNCTION ELECTRIC / MULTIFUNKTIONS
ELEKTRO / ELECTRIQUE A FONCTIONS MULTIPLES ≤ 0705



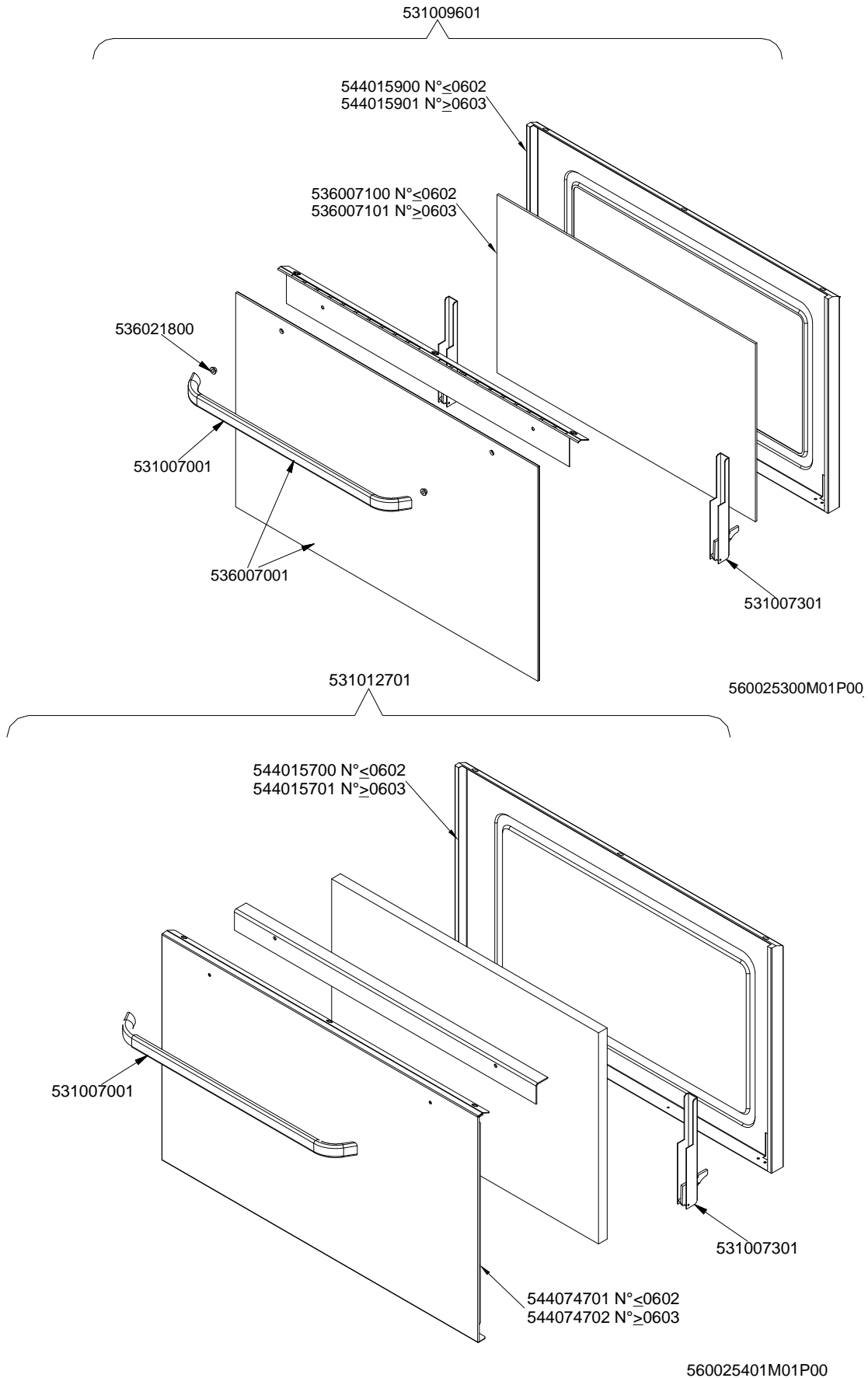
560003801M00P00

MAGIC SNACK 60

CUCINE / RANGES / HERDE / CUISINIÈRES / N° ≥ 0310

FORNO / OVEN / BACKOFEN / FOUR / CF-8 10 10/6

PORTE / DOORS / TÜREN / PORTES ≤ 0705



PC-E



Page	Pos	Code	Description
001		537002200	ELECTRICAL PLATE D.180 W1500 V230
001		537002100	ELECTRICAL PLATE D.145 W1000 V230
001		537002300	ELECTRICAL PLATE D.220 W2000 V230
001		541026900	NEUTRAL SPACER 800
001		544216201	UPPER PLATE CF-8E/A (NEW MOD.)
001		544083001	CONTROL PANEL FOR RANGE CFM-8ET
001		544044202	CONTROL PANEL CF-8E
001		544044401	SIDE NEW CF-8
001		531008100	ADJUSTABLE LEG H9 CHROME
002		537019200	SELECTOR FOR MULTIFUNCTION OVEN
002		539024000	SIGN PLATE FOR OVEN SELECTOR
002		536013800	KNOB D.70 BLACK 6*5 WITH SPRING
002		539023300	ADHESIVE GRADUATED DISC FOR KNOB
002		537014100	WHITE WARNING LIGHT 250V
002		537014200	GREEN WARNING LIGHT 250V
002		537019100	THERMOSTAT FOR MULTIFUNCTION OVEN
002		539023900	SIGN PLATE FOR OVEN TEMPERATURE
002		539023500	ADHESIVE GRAD.DISC *E.MULTIF.TERM.
002		539023800	SIGN PLATE FOR OVEN TIMER
002		537019300	TIMER FOR MULTIFUNCTION OVEN
002		539023400	ADHESIVE GRADUATED DISC F.KNOB
002		537006200	UPPER OVEN HEATING EL.1000+2000W
002		533079700	LOCK SPRING FOR BULB §3/§4
002		533037600	LOCK SPRING FOR BULB
002		537006800	FAN 240V CF-62
002		537019000	CIRCULAR HEATING ELEMENT FOR OVEN
002		534009100	GRILL PROTECTION CF-8/10
002		534009101	
002		536011300	OVEN GASKET CF-8/10
002		537005400	OVEN BULB 15W 300°C
002		537007900	OVEN BULB-SOCKET
002		531013600	SIDE GRID FOR MAXI/VENTILATED OVEN
002		531012401	OVEN DOOR WHEEL HOLDER F.CF-8/10
002		537005300	MOTOR FOR SPIT CF-8/10
002		531006700	OVEN GRID FOR CF-8/10
002		534002200	OVEN DRIPPING-PAN CF-8/10
002		536018300	GRIP FOR ROTATING SPIT
002		537006300	LOWER OVEN HEATING EL.W1750 230CF8/
002		531038100	SPIT FOR MAXI MULTIF. NEW OVEN
003		531009601	COMPLETE GLASS OVEN DOOR
003		544015900	INNER GLASSDOOR OF MAXI OVEN
003		544015901	INNER-DOOR FOR MAXI OVEN *GLASS*
003		536007100	INTERNAL GLASS OVEN DOOR CF-8/10
003		536007101	
003		536021800	DOOR HANDLE SPACER FOR MAXI OVEN
003		531007001	OVEN GLASS DOOR HANDLE CF-8/10
003		536007001	EXTERNAL GLASS OVEN DOOR CF8/10
003		531007301	DOOR HINGE FOR MAXI OVEN CF-8/10
003		531012701	STAINLESS STEEL OVEN DOOR 60/65LINE
003		544015700	INNER DOOR OF MAXI OVEN
003		544015701	INNER-DOOR FOR MAXI OVEN

Page	Pos	Code	Description
003		544074701	S/S MAXI OVEN DOOR PANEL
003		544074702	
004		537000300	COMMUTATOR 7 POSITIONS S.49 16A
004		536002100	KNOB 7 POSITIONS SNACK
004		537014100	WHITE WARNING LIGHT 250V