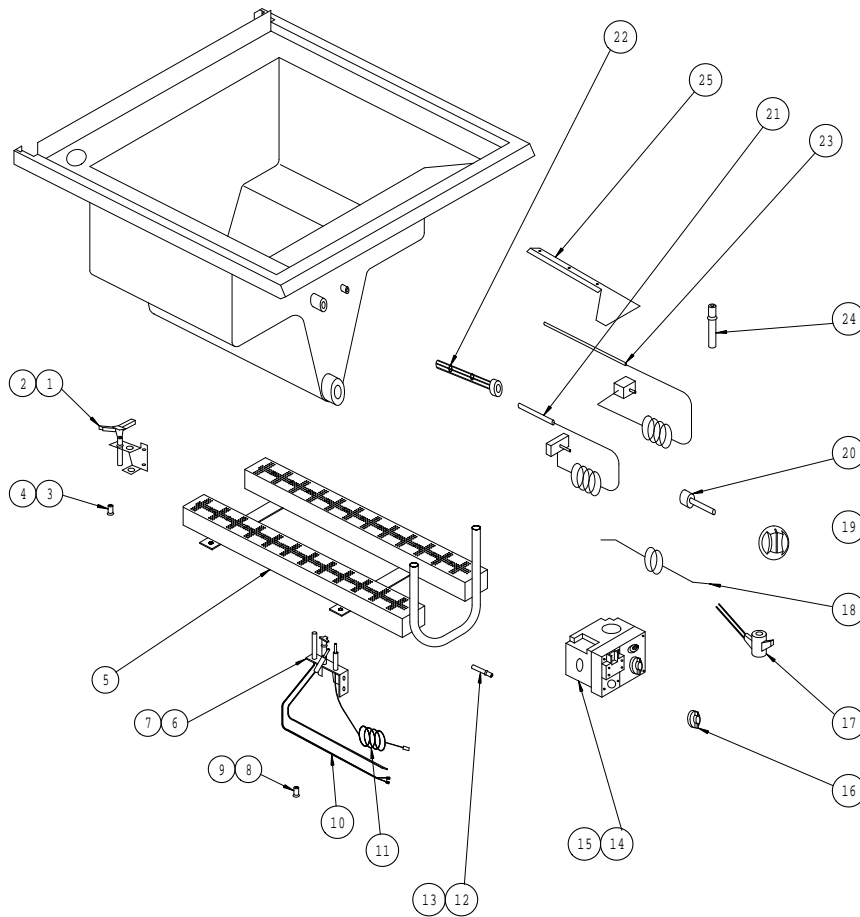
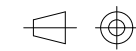


IF IN DOUBT ASK!!

DO NOT SCALE !!

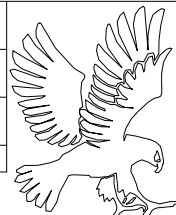
First Angle Projection



Item	Description	Spares No
1	X- Lighting Assy (Nat Gas)	535750028
2	X- Lighting Assy (Propane)	535750029
3	X- Lighting Jet (Nat Gas)	535750030
4	X- Lighting Jet (Propane)	535750031
5	Burner Assy	535750063
6	Pilot Assy (Nat Gas) Pre F398909	535750033
	Pilot Assy (Nat Gas) Post F398909	535750069
7	Pilot Assy (Propane) Pre F398909	535750034
	Pilot Assy (Propane) Post F398909	535750070
8	Pilot Jet (Nat Gas) Pre F398909	535750035
	Pilot Jet (Nat Gas) Post F398909	535750074
9	Pilot Jet (Propane) Pre F398909	535750036
	Pilot Jet (Propane) Post F398909	535750075
10	Thermopile Pre F398909	535750037
	Thermopile Post F398909	535750071
11	Thermocouple Pre F398909	535750038
	Thermocouple c/w Interrupter Post F398909	535750076
12	Injector (Nat Gas)	535750064
13	Injector (Propane)	535750065
14	Multifunctional Control (Nat Gas) Pre F398909	535750041
	Multifunctional Control (Nat Gas) Post F398909	535750072
15	Multifunctional Control (Propane) Pre F398909	535750042
	Multifunctional Control (Propane) Post F398909	535750077
16	On/Off Knob for MFC Pre F398909	535750043
17	Interrupter Pre F398909	535750044
18	Thermostat Operating Lead	535750045
19	Thermostat Knob	535750046
20	Spindle Adaptor	535750047
21	Operating Thermostat	535750048
22	Phial Guard	535750049
23	Safety Thermostat	535750050
24	Igniter Pre F398909	535750051
	Igniter Post F398909	535750078
25	Phial Clamp Plate	535750052

All dimensions in millimetres, Tolerance- Linear $\pm 0.5\text{mm}$ Angular $\pm 0.5^\circ$ (or as stated). All sharp edges to be removed from sheet metal parts.

B	5208	UP-DATED TO INCLUDE SIT VALVE		I.HAMILTON	02-11-04	
A	4906	PRODUCTION ISSUE		DJT	22/04/03	
G	Issue	Mod No.	Alteration	Zone	Drawn by	Date



This part is common to the following units

No reproduction or publication of this drawing may be made and no article may be manufactured or assembled in accordance with this drawing without prior written consent. This prohibition is a condition of any contract relating to this drawing. Rights reserved under the Copyright Act 1956 as amended by the Design Copyright Act 1988.

CLEARED FOR PRODUCTION

Drawn	DAN THORNTON	Product	G2206 PASTA BOILER		
Date	22/04/03	Title	SPARES DRAWING - CONTROLS		
Scale	-	Matl.	-	Drawing Number	Issue
No. off	-	Finish	-	AD41739	B
Bin No.	-	Kraus No.	T111527		

Falcon Foodservice Equipment. Wallace View Hillfoots Road Stirling Scotland