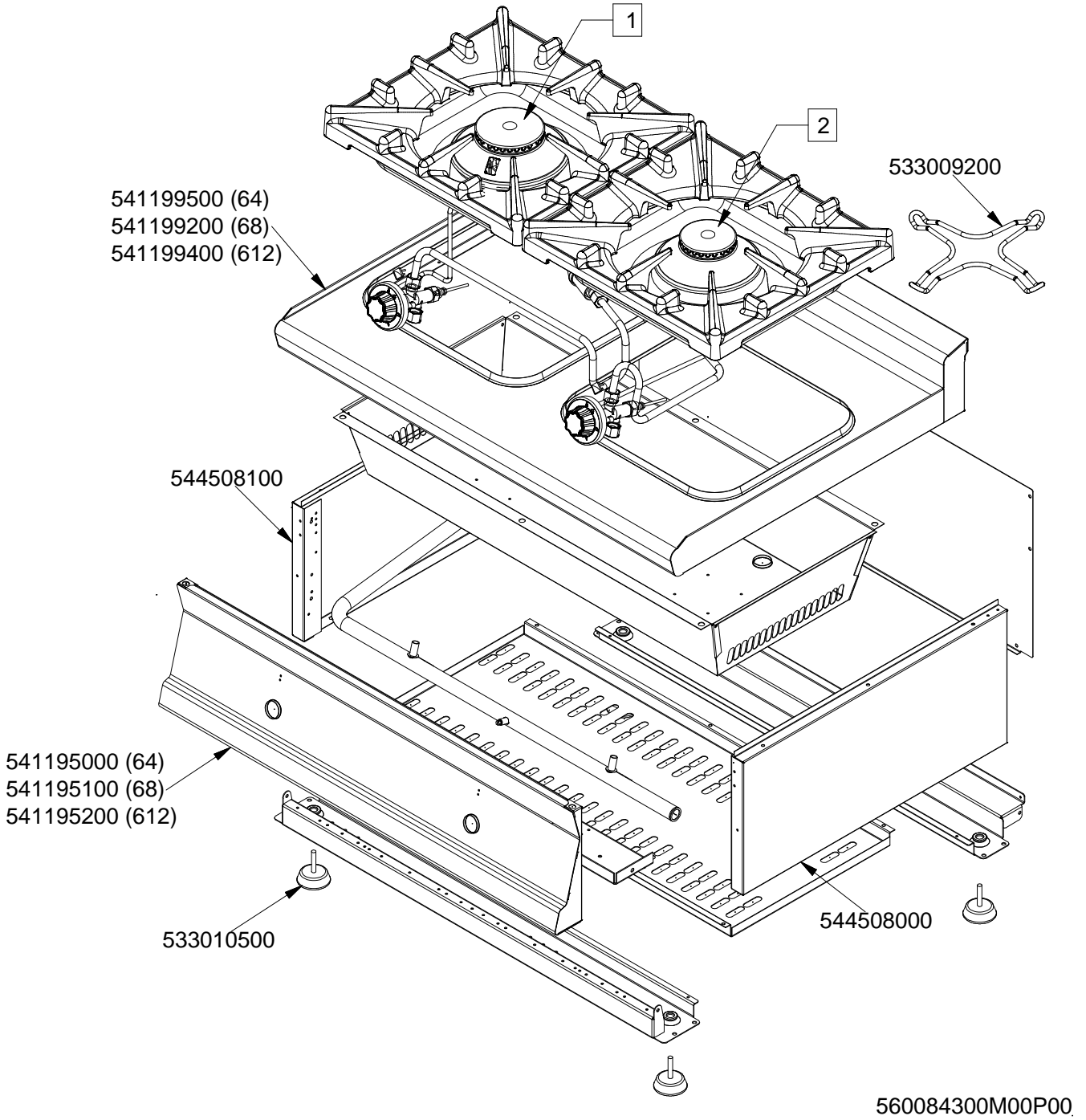


MAGICLOTUS 60

CUCINE / RANGES / HERDE / CUISINIÈRES

PC1T-64G PC2T-68G PC3T-612G

	1	2
Vedi Pagina See Page Siehe Seite Voir Page Ver Pàgina	103	102

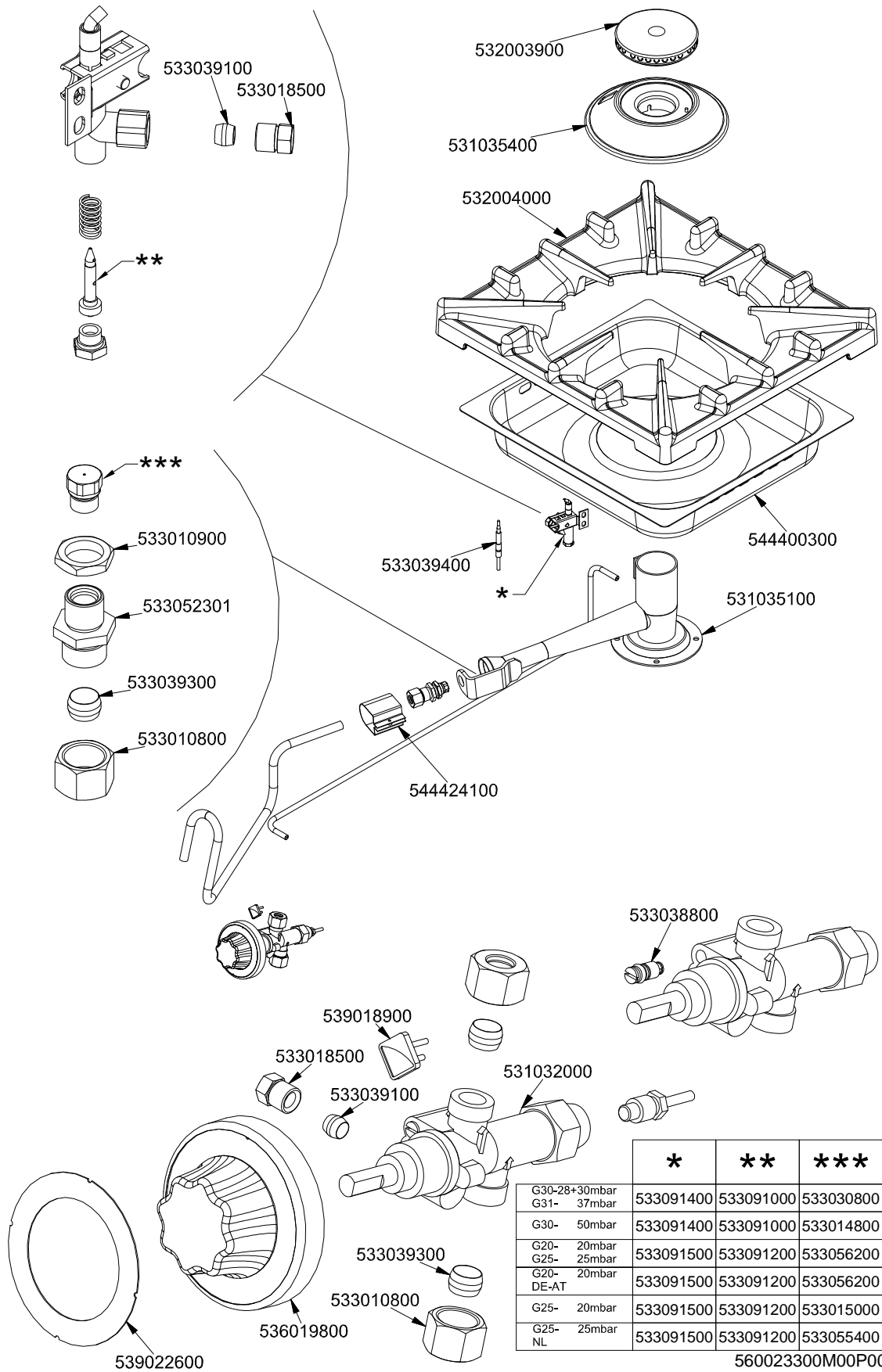


MAGICLOTUS 60

CUCINE / RANGES / HERDE / CUISINIÈRES

COMPONENTI COMUNI / STANDARDS PARTS / UEBLICHE TEILE / COMPOSANTS COMMUNS

PC-G 10KW



	*	**	***
G30-28+30mbar	533091400	533091000	533030800
G31- 37mbar	533091400	533091000	533014800
G30- 50mbar	533091400	533091000	533014800
G20- 20mbar	533091500	533091200	533056200
G25- 25mbar	533091500	533091200	533056200
G20- 20mbar	533091500	533091200	533056200
G20- DE-AT	533091500	533091200	533056200
G25- 20mbar	533091500	533091200	533015000
G25- 25mbar	533091500	533091200	533055400
G25- NL	533091500	533091200	533055400

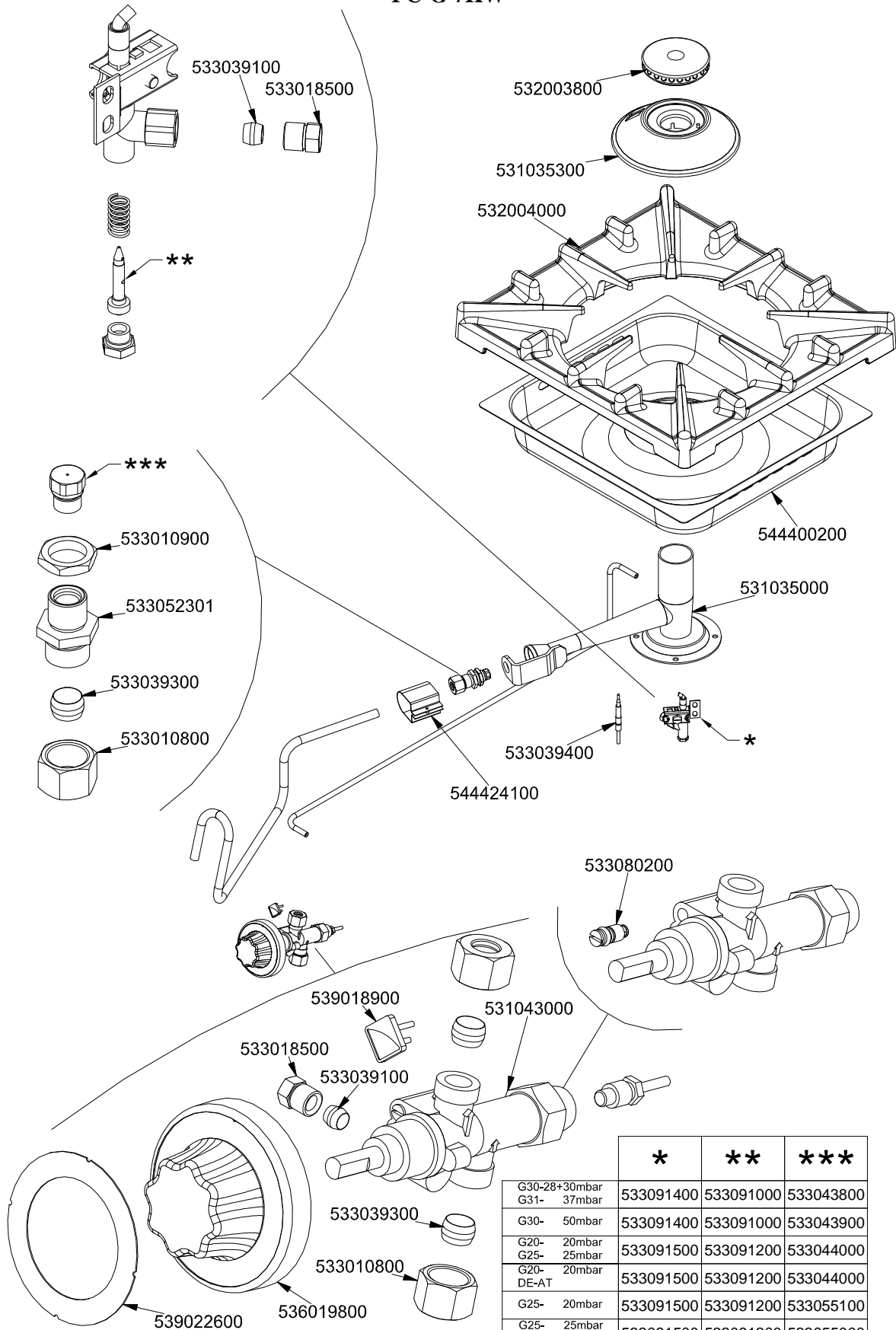
560023300M00P00

MAGICLOTUS 60

CUCINE / RANGES / HERDE / CUISINIÈRES

COMPONENTI COMUNI / STANDARDS PARTS / UEBLICHE TEILE / COMPOSANTS COMMUNS

PC-G 7KW



	*	**	***
G30-28+30mbar	533091400	533091000	533043800
G31- 37mbar	533091400	533091000	533043900
G30- 50mbar	533091500	533091200	533044000
G20- 20mbar	533091500	533091200	533044000
G25- 25mbar	533091500	533091200	533055100
G20- 20mbar	533091500	533091200	533055000
G25- 25mbar	533091500	533091200	533055000
G25- NL	533091500	533091200	533055000

560023200M00P00

Page	Pos	Code	Description
001		533009200	REDUCTION FOR 65 AND 70 LINE
001		541199200	UPPER PLATE FOR 60T CF 2-6 8 GE
001		544508100	
001		541195100	CONTROL PANEL 607090 PCT2-68G
001		544508000	
001		533010500	LEG M10*25 D.40
002		533039100	BICONE §6
002		533018500	FITTING FOR BICONE D.6 M10*1
002		532003900	BURNER COVER RING §100
002		531035400	BIG BURNER BODY 90 LINE
002		532004000	1 FLAME GRILL 396X366 (90)
002		544400300	BURNER DRIP PAN 2/3
002		531035100	BIG BURNER VENTURI 90 LINE
002		544424100	
002		533010900	NUT M14*1 H.4
002		533052301	JOINT FOR NOZZLE HOLDER
002		533039300	BICONE §10
002		533010800	TUBE NUT D.10 M16*1,5
002		539018900	INDEX FOR KNOB
002		531032000	GAS COCK P.V.BY-PASS Ø075
002		533038800	75 BY-PASS FOR 21S TAP
002		536019800	BLACK KNOB §70 PIN §8*6,5
002		539022600	GRADUATED STICKER FOR KNOB
002		533091400	P.NOZZLE S100 UG.§20 PC90 LPG-FLUS
002		533091000	NOZZLE 0.100 §20
002		533030800	NOZZLE §155 CH12X14 M-CW
002		533014800	NOZZLE §135 CH12*14,0
002		533091500	PILOT NOZZLE S.100 §30 PC90 NAT.GAS
002		533091200	PILOT NOZZLE 0100 Ø35 PIL.PC
002		533056200	NOZZLE §230 CH12*14
002		533015000	NOZZLE D.I 260 G110 (TOWN GAS)
002		533055400	NOZZLE §245 CH12*14
003		533039100	BICONE §6
003		533018500	FITTING FOR BICONE D.6 M10*1
003		532003800	BURNER COVER RING §082
003		531035300	MEDIUM BURNER BODY 90 LINE
003		532004000	1 FLAME GRILL 396X366 (90)
003		533010900	NUT M14*1 H.4
003		533052301	JOINT FOR NOZZLE HOLDER
003		533039300	BICONE §10
003		533010800	TUBE NUT D.10 M16*1,5
003		544400200	BURNER DRIP PAN 2/3
003		531035000	MEDIUM BURNER VENTURI 90 LINE
003		533039400	THERMOCOUPLE M9*1*850
003		544424100	
003		533080200	BY PASS COCK §65 20S-21S
003		531043000	GAS COCK 21S P.V. BY-PASS §065
003		539018900	INDEX FOR KNOB
003		536019800	BLACK KNOB §70 PIN §8*6,5
003		539022600	GRADUATED STICKER FOR KNOB
003		533091400	P.NOZZLE S100 UG.§20 PC90 LPG-FLUS

Page	Pos	Code	Description
003		533091000	NOZZLE 0.100 §20
003		533043800	NOZZLE §130 CH12*14 G-CW4
003		533043900	NOZZLE §115 CH12*14 F-CW4
003		533091500	PILOT NOZZLE S.100 §30 PC90 NAT.GAS
003		533091200	PILOT NOZZLE 0100 Ø35 PIL.PC
003		533044000	NOZZLE §195 CH12*14 M-CW4
003		533055100	NOZZLE §215 CH12*14 L-CW4
003		533055000	NOZZLE §205 CH12*14 G25 CW4