

| | | |
|--------|--------|--------|
| 2,6 Kw | 2,0 Kw | 2,6 Kw |
| 2,0 Kw | 2,6 Kw | 2,0 Kw |

C2P
TC40E

C4P
C4PFE
C4PFCE
TC80E

| | | |
|--------|--------|--------|
| 2,6 Kw | 2,0 Kw | 2,6 Kw |
| 2,0 Kw | 2,6 Kw | 2,0 Kw |

C6P
C6PFE
C6PFCE
C6PFCEV
TC120E

N.B.: La tavola si completa con la successiva n° - See table No. - Voir tableau n° - Wichtig: S. folgender Plan Nr.

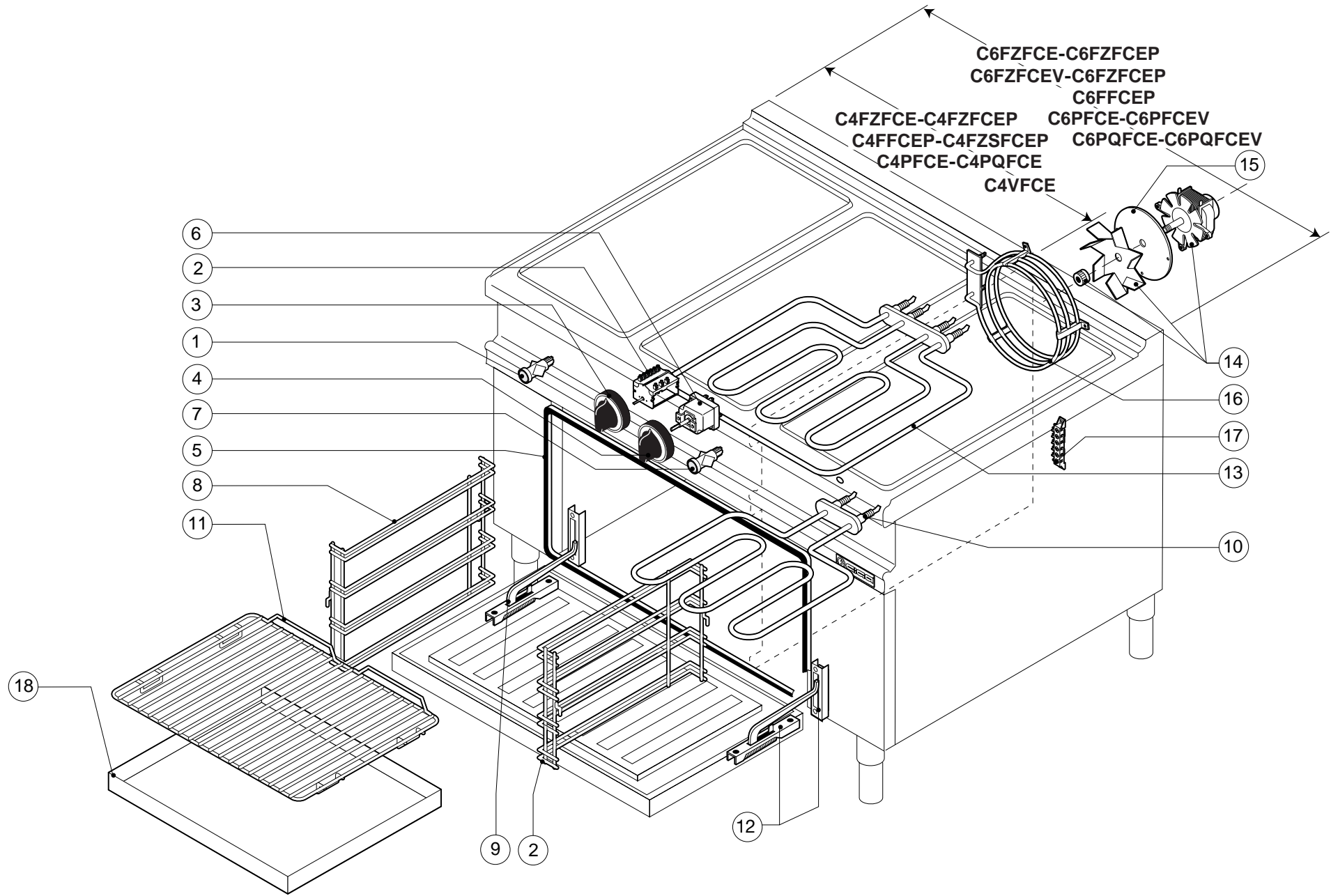
3E05-007
C4PFE - C6PFE
C6PFCE

3E05-014

C2P - C4P - C6P
C4PFE - C6PFE
C4PFCE - C6PFCE - C6PFCEV
TC40E - TC80E - TC120E



| Pezzi/Pieces Pieces/Anzahl | | | | | Pos. | Validità dalla matricola Validité du numéro matricule Validity from serial number Gültigkeit ab der (Seriennummer) | Validità alla matricola Validity up to serial number Validité au numéro matricule Gültigkeit bis zur (Seriennummer) | Codice Code Artikel Nummer | Descrizione | Description | Description | Beschreibung |
|-------------------------------|---------------|----------------|-----------------|------------------------------|------|---|--|-------------------------------------|---------------------------|--------------------------|-------------------------------|-----------------------------|
| C2P TC40E* | C4P TC80E* | C6P TC120E* | C4PFE C4PFCE | C6PFE° C6PFCE° C6PFCEV | | | | | | | | |
| | | | 6 | 6 | 1 | | | X47000 | Resistenza | Resistance | Resistance | Resistenz |
| 4 | 4 | 4 | 4 | 4 | 2C | | | X61000 | Piedino | Foot | Pied | Fuss |
| 4* | 4* | 4* | | | 2T | | | M06400 | Piedino | Foot | Pied | Fuss |
| | | | 1 | 1 | 3 | | | X66000 | Cerniera dx | R. H. Hinge | Charniere droite | Scharnier rechts |
| | | | | 1/0° | 4 | | | Y65500 | Maniglia porta | Door handle | Pognée four | Turgriff |
| | | | 1 | 1 | 5 | | | X66100 | Cerniera sx | L. H. Hinge | Charniere gauche | Scharnier links |
| | | | 1 | 1 | 6 | | | 0000X05600 | Guarnizione porta | Door seal | Joint porte | Türdichtung |
| | | | 2 | 2 | 7 | | | B85500 | Reggigriglia dx-sx | L.H.-R.H. Grid support | Appui grille droite/gauche | Rostauflegeschiene R.-L. |
| | | | 1 | 1 | 8 | | | B88700 | Suola | Floor | Sole | Boden |
| | | | 1 | 1 | 9 | | | G21P | Griglia | Grid | Grille | Rost |
| 2 | 4 | 6 | 4 | 6 | 10 | | | X50900 | Lampada verde | Green light | Lampe vert | Grüne Kontrollampe |
| | | | 1 | 1 | 11 | | | 0000Y65004 | Manopola temperatura | Oven temp. | Cle de commande temper. | Drehknopf temp. |
| | | | 1 | 1 | 12 | | | X41200 | Lampada gialla | Yellow light | Lampe jaune | Gelbe Kontrollampe |
| | | | 1 | 1 | 13 | | | X49700 | Commutatore per term. | Therm. selector switch | Commutateur pour therm. | Schalter für Thermoelem. |
| | | | 1 | 1 | 14 | | | X44600 | Staffa per collegamento | Connecting bracket | Collier de raccordement | Anschlussbügel |
| | | | 1 | 1 | 15 | | | X43900 | Termostato 50-300°C forno | Oven thermostat 50-300°C | Thermostat 50-300°C four | Thermostat 50-300°C Ofen |
| | | | 1 | 1 | 16 | | | X44100 | Commutatore 4 posizioni | 4-Pos. selector switch | Commutateur 4 positions | 4 Positionenschalte |
| | | | 1 | 1 | 17 | | | 0000Y65007 | Manopola forno 2/1 | Oven knob 2/1 | Cle de commande pour four 2/1 | Drehknopf für Ofen 2/1 |
| 1 | 2 | 3 | 2 | 3 | 18A | | | X45300 | Piastra 2600 W | Plate 2600 W | Plaque 2600 W | Platte 2600 W |
| 1 | 2 | 3 | 2 | 3 | 18B | | | X45400 | Piastra 2000 W | Plate 2000 W | Plaque 2000 W | Platte 2000 W |
| | | 1 | 1 | | 19 | | | X44800 | Termostato di sicurezza | Safety thermostat | Thermostat de securite | Sicherheitsthermostat |
| 1 | 1 | 1 | | | 20 | | | X59000 | Morsettiera | Terminal board | Barrette de raccordement | Klemmleiste |
| | | | 1 | 1 | 21 | | | Y65700 | Maniglia forno | Oven handle | Poignée four | Backofengriff |
| | | | 1 | 1 | 22 | | | 0000X53900 | Morsettiera arrivo linea | Line-in term. board | Plaque à bornes réseau | Stromanschl. Klemme |
| 2 | 4 | 6 | 4 | 6 | 23 | | | 0000Y65005 | Manopola per piastre | Plate knob | Bouton plaques | Drehknopf für platten |
| 2 | 4 | 6 | 4 | 6 | 24 | | | X54100 | Commutatore 7 posizioni | 7-Pos. selector switch | Commutateur 7 positions | 7 Positionenschalter |
| 1 | 2 | 3 | 2 | 3 | 25 | | | 1550Y63500 | Griglia scarico fumi | Smoke discharge grid | Grille évacuation des fumées | Rauchblassgitter |
| 2 | 4 | 6 | 4 | 6 | 26 | | | X45600 | Staffa fiss. piastra | Stirrup steady. Skillet | étrier stable. Poelon | Steigbügel festigen flatter |
| 2 | 4 | 6 | 4 | 6 | 27 | | | X44900 | Protezione piastra | Protection skillet | Protection poelon | Schutz tiegel |



N.B.: La tavola si completa con la successiva n° - See table No. - Voir tableau n° - Wichtig: S. folgender Plan Nr.

•3E05-003
C4FFCEP-C6FFCEP

•3E05-012
C4FZFCE-C6FZFCEP
C4FZFCEV-C6FZFCEP
C6FZFCEV-C6FZFCEPV
C4FZSFCEP

•3E05-014
C4PFCE-C6PFCE
C6PFCEV

•3E05-015
C4PQFCE-C6PQFCE
C6PQFCEV

•3E05-016
C4VFCE

3E05-007

C4FZFCE-C6FZFCE-C4FZFCEP-C6FZFCEP
C4FFCEP-C6FFCEP-C4FZSFCEP
C4PFCE-C6PFCE-C6PFCEV
C4PQFCE-C6PQFCE-C6PQFCEV
C6FZFCEV-C6FZFCEPV-C4VFCE



| Pezzi/Pieces Pieces/Anzahl | Pos. | Validità dalla matricola Validité du numéro matricule | Validità alla matricola Validity up to serial number | Codice Code Artikel Nummer | Descrizione | Description | Description | Beschreibung |
|---|------|---|---|-------------------------------------|----------------------|-------------------|--------------------------|------------------------|
| C4FZFCE - C6FZFCE - C4FZFCEP C6FZFCEP - C4FFCEP - C6FFCEP C4FZSFCEP - C4PFCE - C6PFCE- C6PFCEV -C4PQFCE - C6PQFCE - C6PQFCEV - C6FZFCEV C6FZFCEPV - C4VFCE | | Validity from serial number Gültigkeit ab der (Seriennummer) | Validité au numéro matricule Gültigkeit bis zur (Seriennummer) | | | | | |
| 1 | 1 | | | X50900 | Lampada verde | Green light | Lampe vert | Grüne Kontrolllampe |
| 1 | 2 | | | X68204 | Commutatore | Selector switch | Commutateur | Schalter |
| 1 | 3 | | | 0000X65008 | Manopola commutatore | Selector knob | Bouton commutat. | Umschaltknopf |
| 1 | 4 | | | 0000X65004 | Manopola termostato | Knob thermostat | Cle de commande thermoc. | Drehknop thermostat |
| 1 | 5 | | | 1000X05600 | Guarnizione porta | Door seal | Joint porte | Türdichtung |
| 1 | 6 | | | X68205 | Termostato | Oven thermostat | Thermostat | Thermostat |
| 2 | 7 | | | X41200 | Lampada gialla | Yellow light | Lampe jaune | Gelbe kontrolllampe |
| 1 | 8 | | | V05900 | Reggigriglia sx/dx | R.H. grid support | Appui grille gauche | Oberer heizwiderstand |
| 1 | 9 | | | X66100 | Cerniera sx | L.H. hinge | Charniere gauche | Rostauflegeschiene L. |
| 1 | 10 | | | X68203 | Resistenza inferiore | Bottom resistance | Resistance inferieure | Unterer heizwiderstand |
| 1 | 11 | | | G11PF | Griglia | Grid | Grille | Rost |
| 1 | 12 | | | X66000 | Cerniera dx | R.H. hinge | Charniere droite | Scharnier rechts |
| 1 | 13 | | | X68202 | Resistenza superiore | Top resistance | Resistance superieure | Oberer heizwiderstand |
| 1 | 14 | | | V03000 | Motoventilatore | Electric fan | Moto-ventilateur | Motorventilator |
| 1 | 15 | | | V05400 | Isolamento | Insulation | Isolation | Isolierung |
| 1 | 16 | | | X68002 | Resistenza | Resistance | Resistance | Resistenz |
| 1 | 17 | | | X59200 | Morsettiera | Terminal board | Barrette de raccordement | Klemmleiste |
| 1 | 18 | | | V05700 | Suola forno | Oven floor | Sole four | Boden fen |