

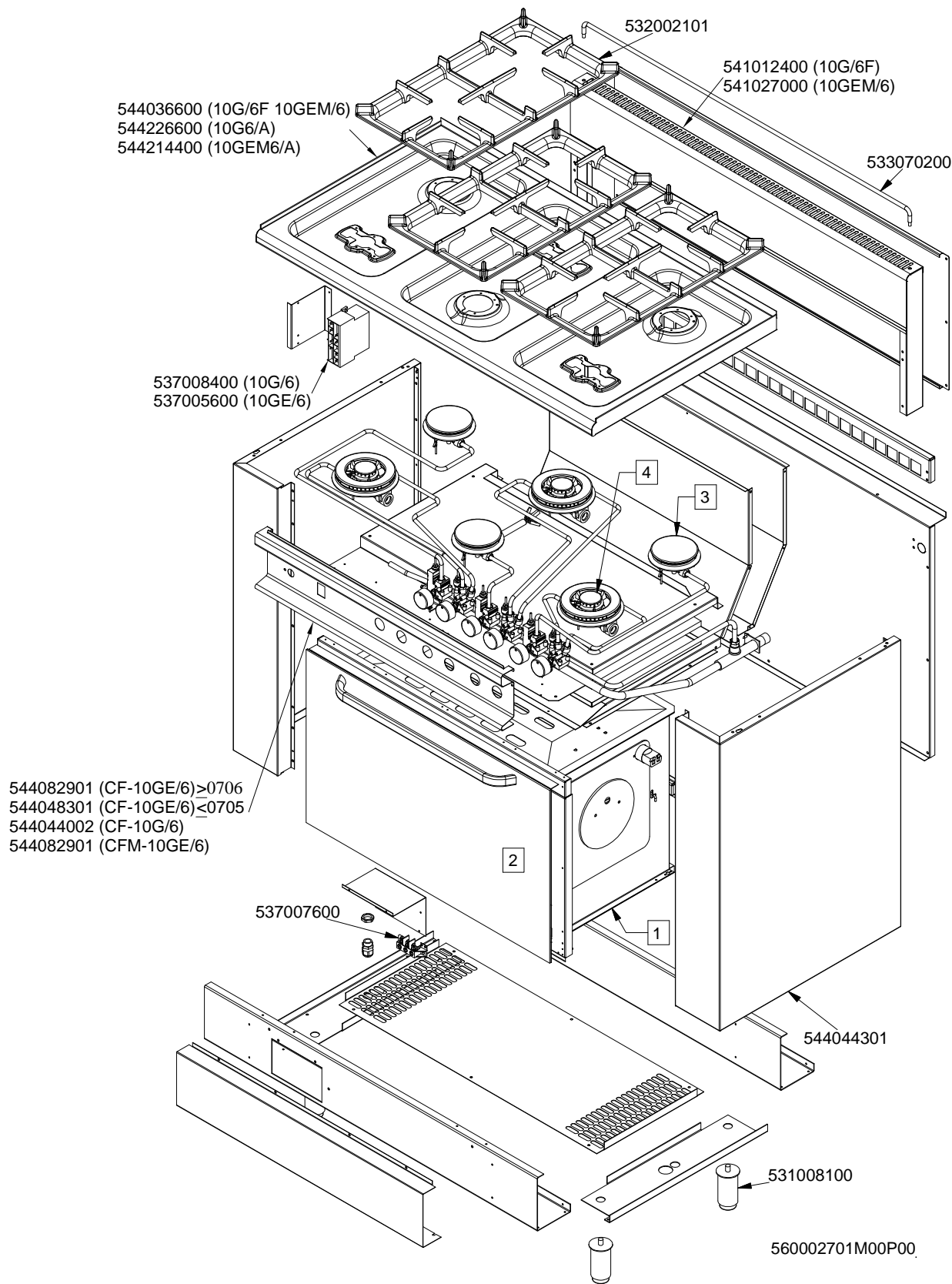
# MAGIC SNACK 60

CUCINE / RANGES / HERDE / CUISINIÈRES / N° ≥0310

CF-10/6

CF-10G/6F CF-10G6/A CF-10GEM/6 CF-10GEM6/A CFM-10GEM/6 CFM-10GEM6/A

	1CF-10GE/6	1CFM-10GE/6	1CF-10G/6	2	3	4
Vedi Pagina See Page Siehe Seite Voir Page Ver Página	120	122	124	126	133	134

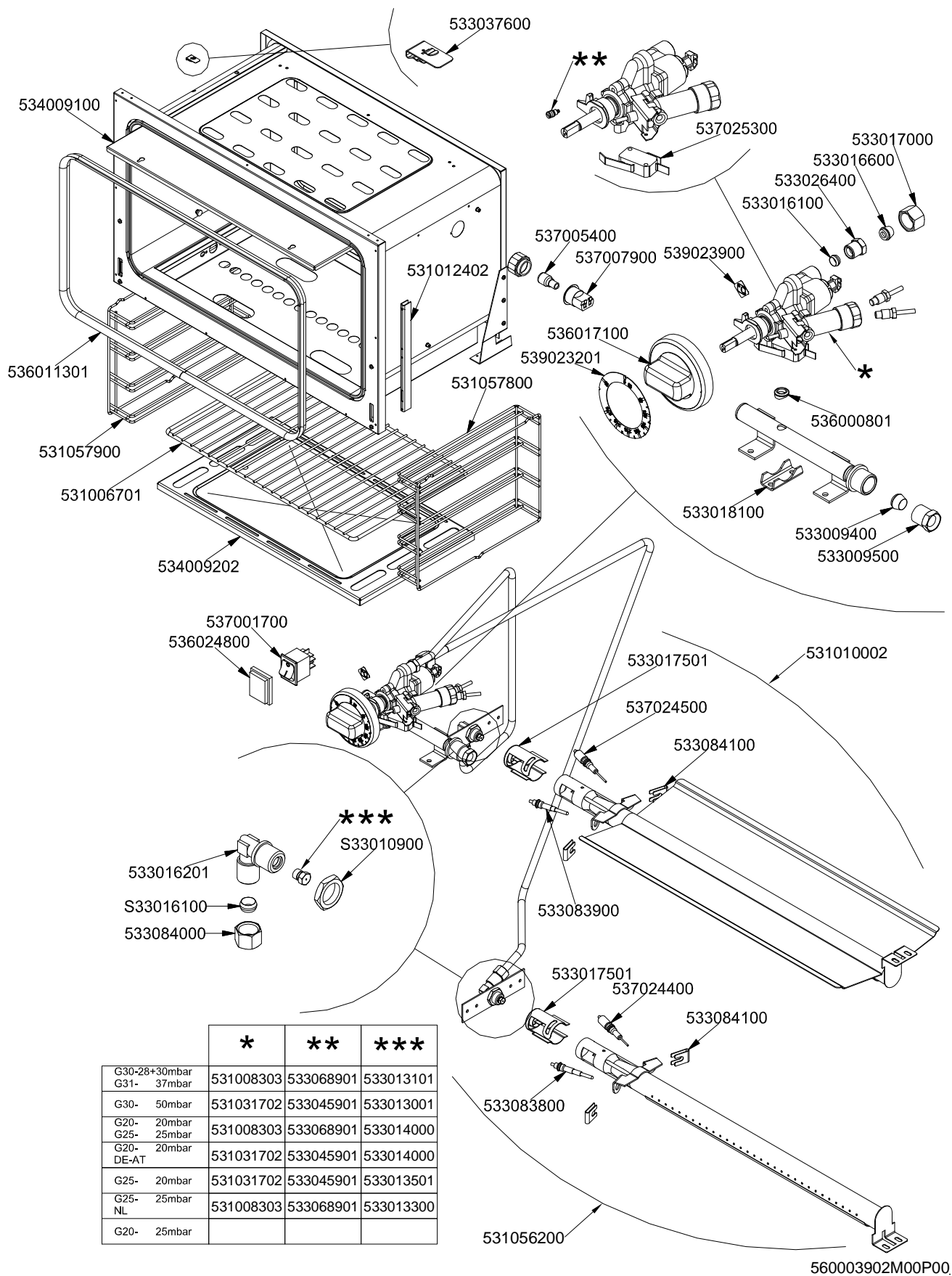


# MAGIC SNACK 60

CUCINE / RANGES / HERDE / CUISINIÈRES / N° 0310

FORNO / OVEN / BACKOFEN / FOUR / CF-8 10 10/6

GAS / GAS / GAS / GAZ ≥ 0706



	*	**	***
G30-28+30mbar G31- 37mbar	531008303	533068901	533013101
G30- 50mbar	531031702	533045901	533013001
G20- 20mbar G25- 25mbar	531008303	533068901	533014000
G20- 20mbar DE-AT	531031702	533045901	533014000
G25- 20mbar	531031702	533045901	533013501
G25- 25mbar NL	531008303	533068901	533013300
G20- 25mbar			

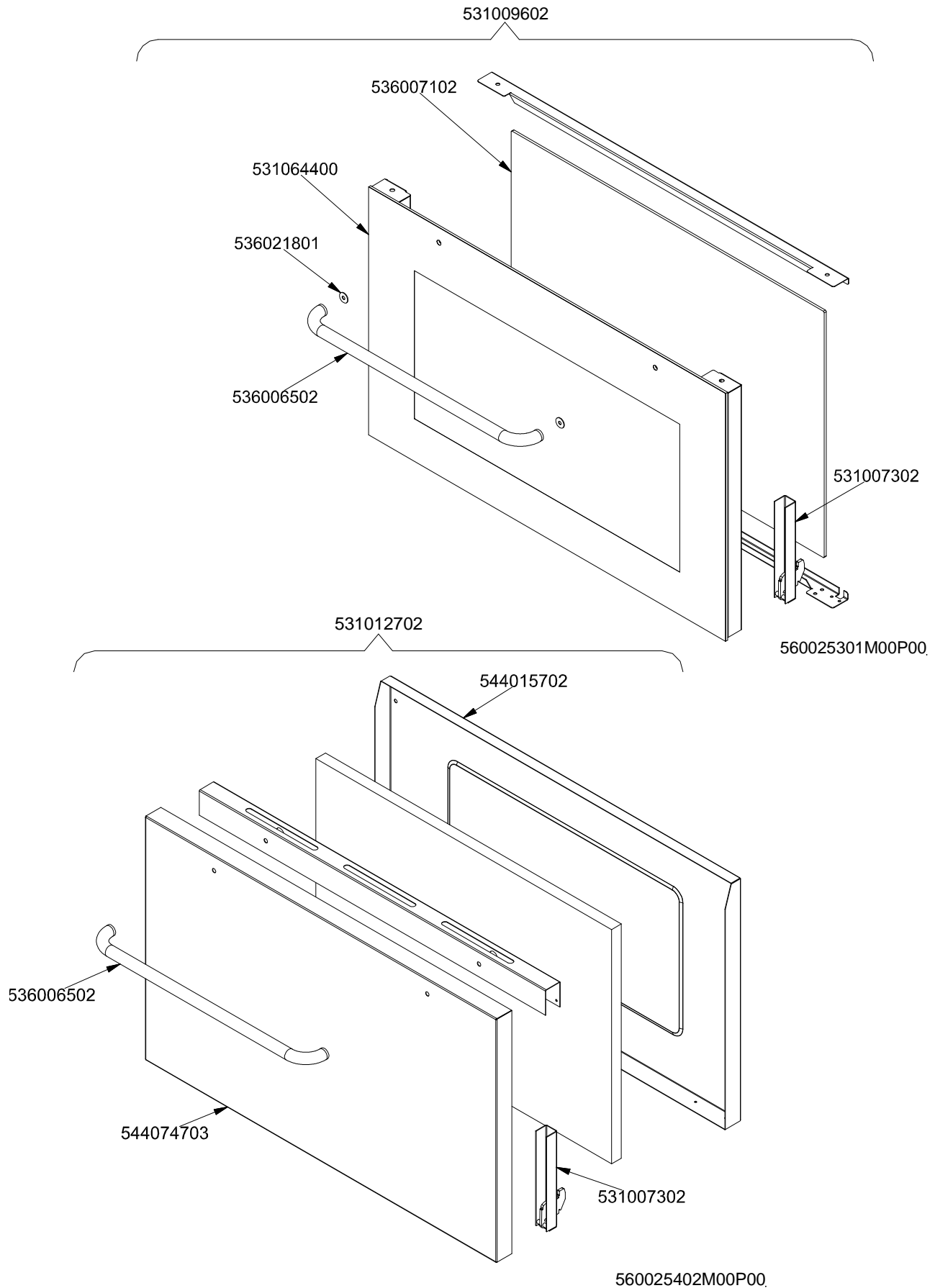
560003902M00P00

# MAGIC SNACK 60

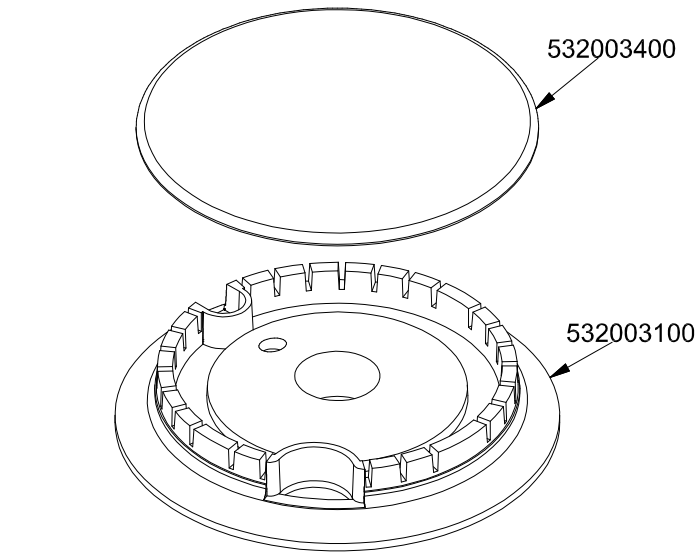
CUCINE / RANGES / HERDE / CUISINIÈRES / N° ≥ 0310

FORNO / OVEN / BACKOFEN / FOUR / CF-8 10 10/6

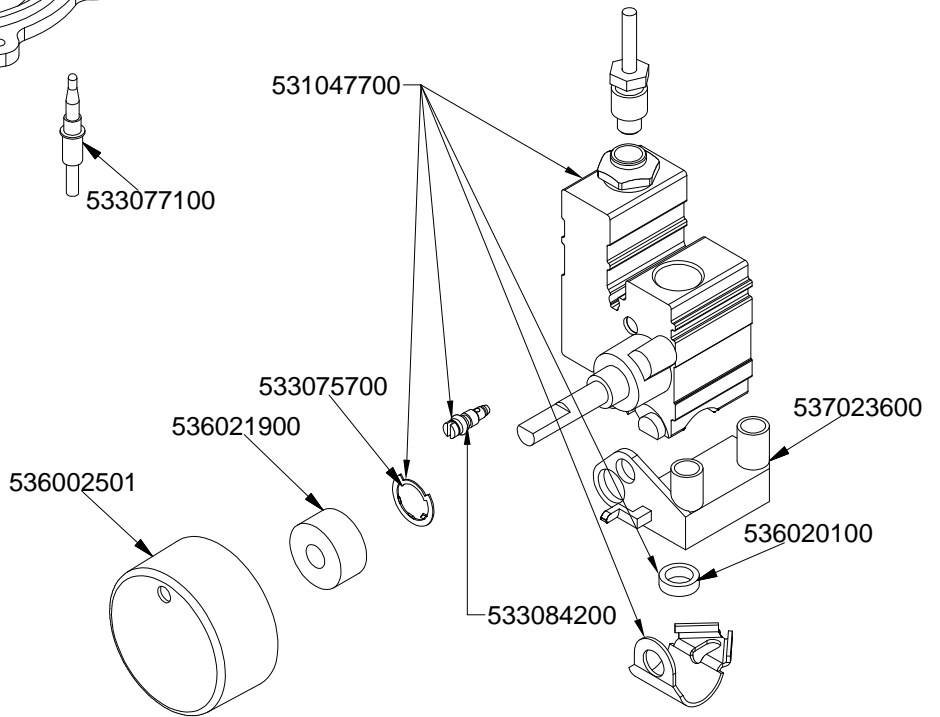
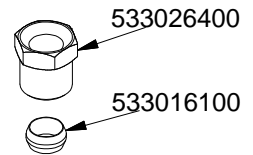
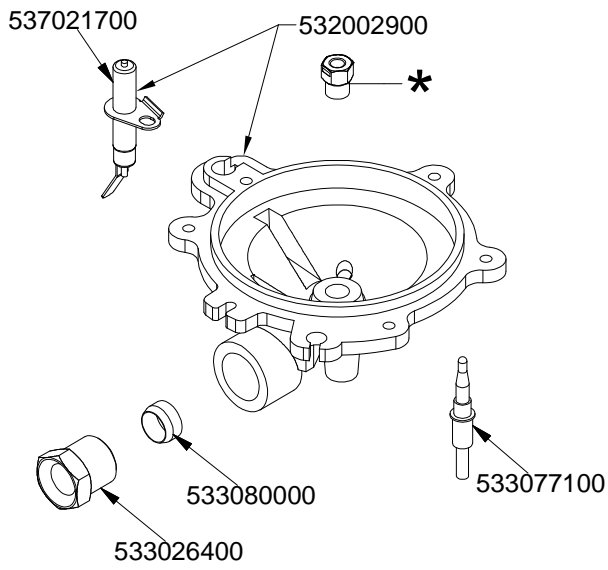
PORTE / DOORS / TÜREN / PORTES ≥ 0706



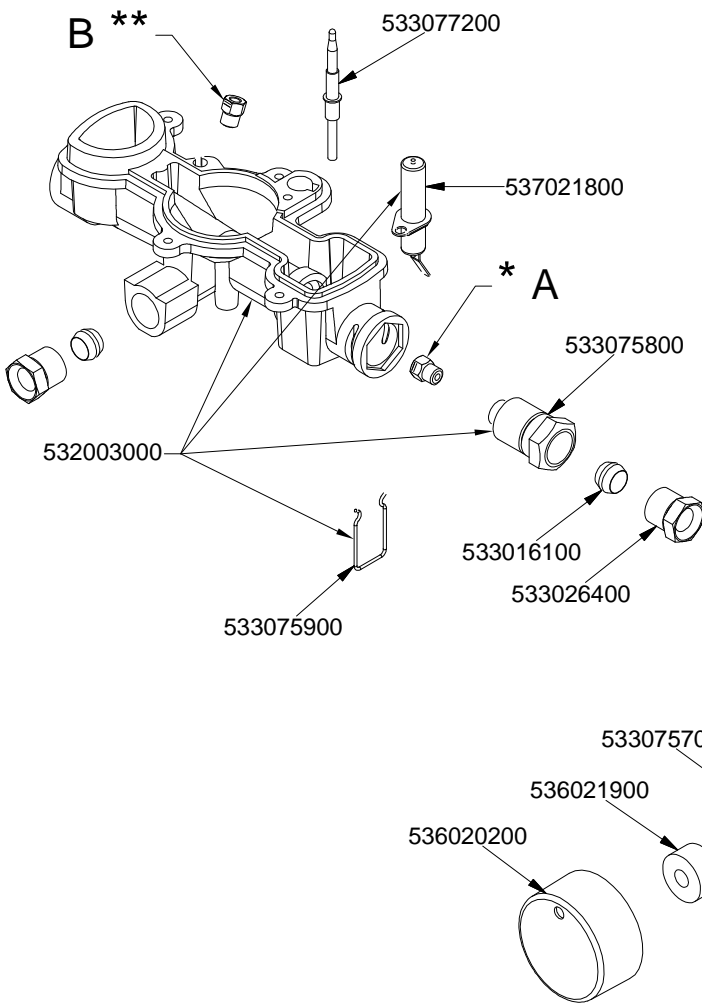
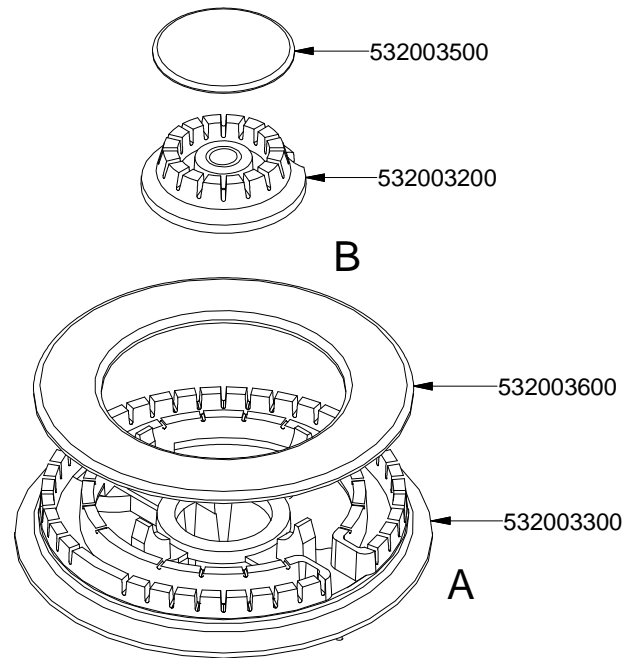
**PC-G R N**



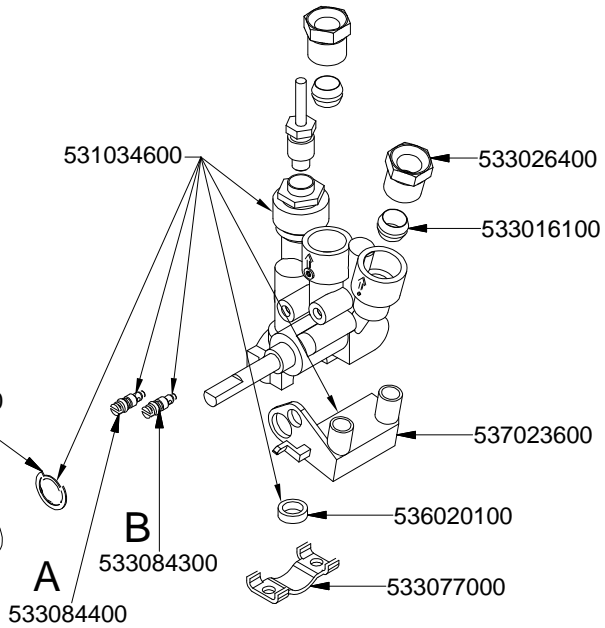
	*
G30-28+30mbar G31- 37mbar	533080600
G30- 50mbar	533083700
G20- 20mbar G25- 25mbar	533080700
G20- 20mbar DE-AT	533080700
G25- 20mbar	533080800
G25- 25mbar NL	533080900
G20- 25mbar	



**PC-G WOK**



	*	**
G30-28+30mbar G31- 37mbar	533081000	533082200
G30- 50mbar	533082300	533083000
G20- 20mbar G25- 25mbar	533081200	533081100
G20- DE-AT	533081200	533081100
G25- 20mbar	533081400	533081300
G25- NL	533081500	533081300



560025101M00P00

Page	Pos	Code	Description
001		532002101	GRILL 2 BURNERS 292X507 (60)
001		541012400	PERFORATED SPACER 1000
001		533070200	
001		544036600	UPPER PLATE CF-10G/6 (NEW MODEL)
001		537008400	IGNITION UNIT 8 FLAMES V230
001		544082901	CONTROL PANEL FOR RANGE CFM-10GEM/6
001		544048301	CONTROL PANEL CF-10GE/6
001		544044002	CONTROL PANEL CF-10G6 (NEW MODEL)
001		537007600	TERMINAL BLOCK SINGLEPHASE 40A
001		544044301	SIDE NEW CF-10
001		531008100	ADJUSTABLE LEG H9 CHROME
002		533037600	LOCK SPRING FOR BULB
002		534009100	GRILL PROTECTION CF-8/10
002		537025300	MICRO-SWITCH FOR OVEN COCK
002		533017000	THREADED FITTING FOR BICONE 8S
002		533016600	BICONE §8 H.6 SABAF DIS.688
002		533026400	ELBOW FOR BICONE D.8 M13X1
002		533016100	BICONE D.8
002		539023900	SIGN PLATE FOR OVEN TEMPERATURE
002		537005400	OVEN BULB 15W 300°C
002		537007900	OVEN BULB-SOCKET
002		531012402	DOOR WHEEL HOLDER FOR MAXI OVEN
002		536017100	BLACK KNOB §70 PIN §8*6,5
002		539023201	ADHESIVE GRADUATED DISC FOR KNOB
002		531057800	RHD GRIDS HOLDER FOR MAXI-OVEN
002		536000801	EXTERNAL GASKET DIS.174-1
002		533018100	BRIDLE D.21
002		533009400	BICONE 10S
002		533009500	NIPPLE FOR BICONE 10S
002		536011301	OVEN GASKET CF-8/10 *FE*
002		531057900	LHD GRIDS HOLDER FOR MAXI-OVEN
002		531006701	MAXI OVEN GRID FOR S60/65
002		534009202	MAXI GAS OVEN BOTTOM
002		537001700	GREENLIGHTED BIPOLAR SWITCH
002		536024800	
002		531010002	GRILL BURNER FOR CF-55/60
002		533017501	VENTURI BUSHING FOR OVEN BURNER CF
002		537024500	PLUG IGNITION FOR GRILL-BURNER
002		533084100	LOCK SPRING FOR PLUG-THERMOCOUPLE
002		533083900	THERMOCOUPLE 1000 M8*1 OVEN BURNER
002		537024400	PLUG IGNITION FOR OVEN-BURNER
002		533083800	THERMOCOUPLE 1200 M8*1 OVEN BURNER
002		531056200	BURNER FOR OVEN CF-8/10G
002		S33010900	
002		S33016100	
002		533016201	FITTING 90° FOR BICONE §8
002		533084000	HEXAGONAL NUT 1/4G ZN TUBE §8
002		533013101	NOZZLE §102 CH7*8,8 G-OVEN F-GRILL
002		533068901	§50 BY-PASS COCK F.OVEN CF60/65/55
002		531008303	GRILL AND OVEN COCK BY PASS §40
002		531031702	BY PASS §45 SAFETY COCK CF60

Page	Pos	Code	Description
002		533045901	§45 BY-PASS THERMOSTATIC TAP
002		533013001	NOZZLE §90 CH7*8,8 F-OVEN+GRILL
002		533014000	NOZZLE §160 CH7*8,8 MH-FOUR+GRILL
002		533013501	NOZZLE §180 CH7*8,8 L-FOUR+GRILL
002		533013300	NOZZLE §170 CH7*8,8 AARDGAS-OVEN+G
003		536007102	
003		531064400	EXTERNAL GLASS MAXI OVEN DOOR+FRAME
003		536021801	DOOR HANDLE SPACER FOR MAXI OVEN
003		536006502	OVEN DOOR HANDLE 60LINE AL.
003		531007302	DOOR HINGE FOR MAXI OVEN 60.LINE
003		531012702	STAINLESS STEEL OVEN DOOR 60 LINE
003		544015702	INNER-DOOR FOR MAXI OVEN OF 60LINE
003		544074703	S/S MAXI OVEN DOOR PANEL
004		532003400	QUICK BURNER COVER
004		532003100	QUICK BURNER RING 640
004		537021700	PLUG IGNITION FOR QUICK BURNER
004		532002900	QUICK BURNER BODY 740
004		533026400	ELBOW FOR BICONE D.8 M13X1
004		533016100	BICONE D.8
004		531047700	TAP WITH VALVE 699 BY PASS § 40
004		533077100	THERMOCOUPLE 600 M8*1 QUICK BURNER
004		533080000	BICONE § 8
004		533075700	
004		536021900	MAN.EXTENSION MICRO DRIVING TAP 60
004		536002501	COCK KNOB SNACK PC
004		537023600	MICRO-SWITCH FOR COCK 250V 0,0054
004		536020100	TAP GASKET 699
004		533084200	BY PASS COCK §40 699
004		533080600	NOZZLE §88 CH7*9,3 G30-30 R
004		533083700	NOZZLE §80 CH7*22 G30-50 R
004		533080700	NOZZLE §134 CH7*9,3 G20-20 R
004		533080800	NOZZLE §143 CH7*9,3 G25-20 R
004		533080900	NOZZLE §134A CH7*9,3 G25-25NL R
005		532003500	CENTRAL BURNER COVER WOK
005		532003200	CENTRAL BURNER RING WOK 647
005		532003600	EXTERNAL BURNER COVER WOK
005		532003300	EXTERNAL BURNER RING WOK
005		533077200	THERMOCOUPLE 600 M8*1 QUICK BURNER
005		537021800	PLUG IGNITION FOR WOK-BURNER
005		533075800	FITTING FOR NOZZLE-SUPPORT M12X1,25
005		532003000	BURNER BODY WOK 743
005		533016100	BICONE D.8
005		533026400	ELBOW FOR BICONE D.8 M13X1
005		533075900	
005		531034600	TAP WITH VALVE 2OUT009 BYPASS 32/57
005		533075700	
005		537023600	MICRO-SWITCH FOR COCK 250V 0,0054
005		536021900	MAN.EXTENSION MICRO DRIVING TAP 60
005		536020200	COCK KNOB SNACK 2. PC
005		536020100	TAP GASKET 699
005		533084300	BY PASS COCK §32 009

Page	Pos	Code	Description
005		533077000	TAP BRIDLE 2 OUT 009
005		533084400	BY PASS COCK §57 009
005		533081000	NOZZLE §84 CH7*9,3 G30-30 W EST.
005		533082200	NOZZLE §51 CH7*11 G30-30 W INT.
005		533082300	NOZZLE §76 CH7*11 G30-50 W.EXT.
005		533083000	NOZZLE §51 CH7*20 G30-50 W INT.
005		533081200	NOZZLE §130 CH7*9,3 G20-20 W EST.
005		533081100	NOZZLE §80 CH7*9,3 G20-20 W INT.
005		533081400	NOZZLE §142 CH7*9,3 G25-20 W EST.
005		533081300	NOZZLE §125 G20
005		533081500	NOZZLE §135 CH7*9,3 G25-25NL W EST.