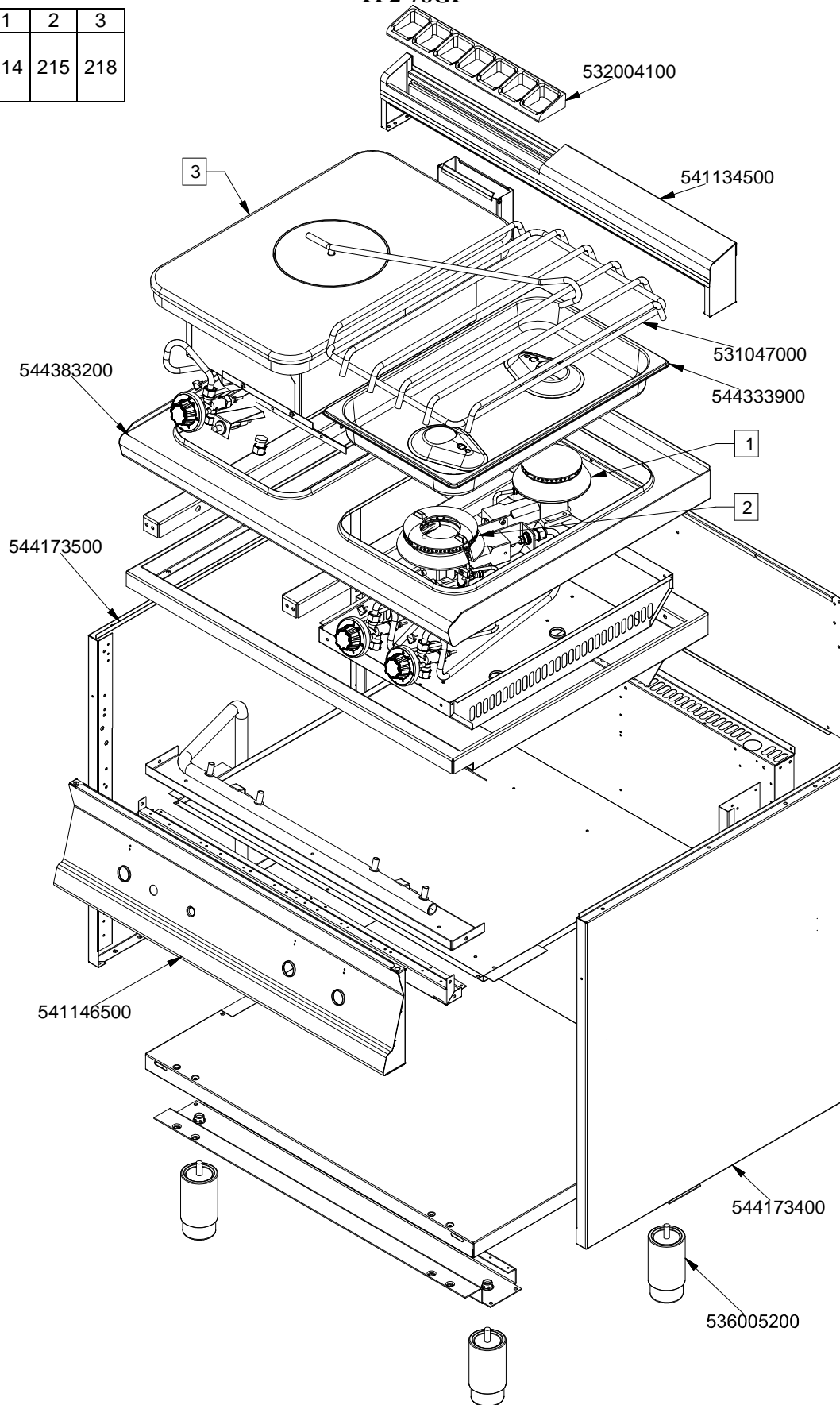


SUPERLOTUS 70≥0602

GAS / GAS / GAS / GAZ

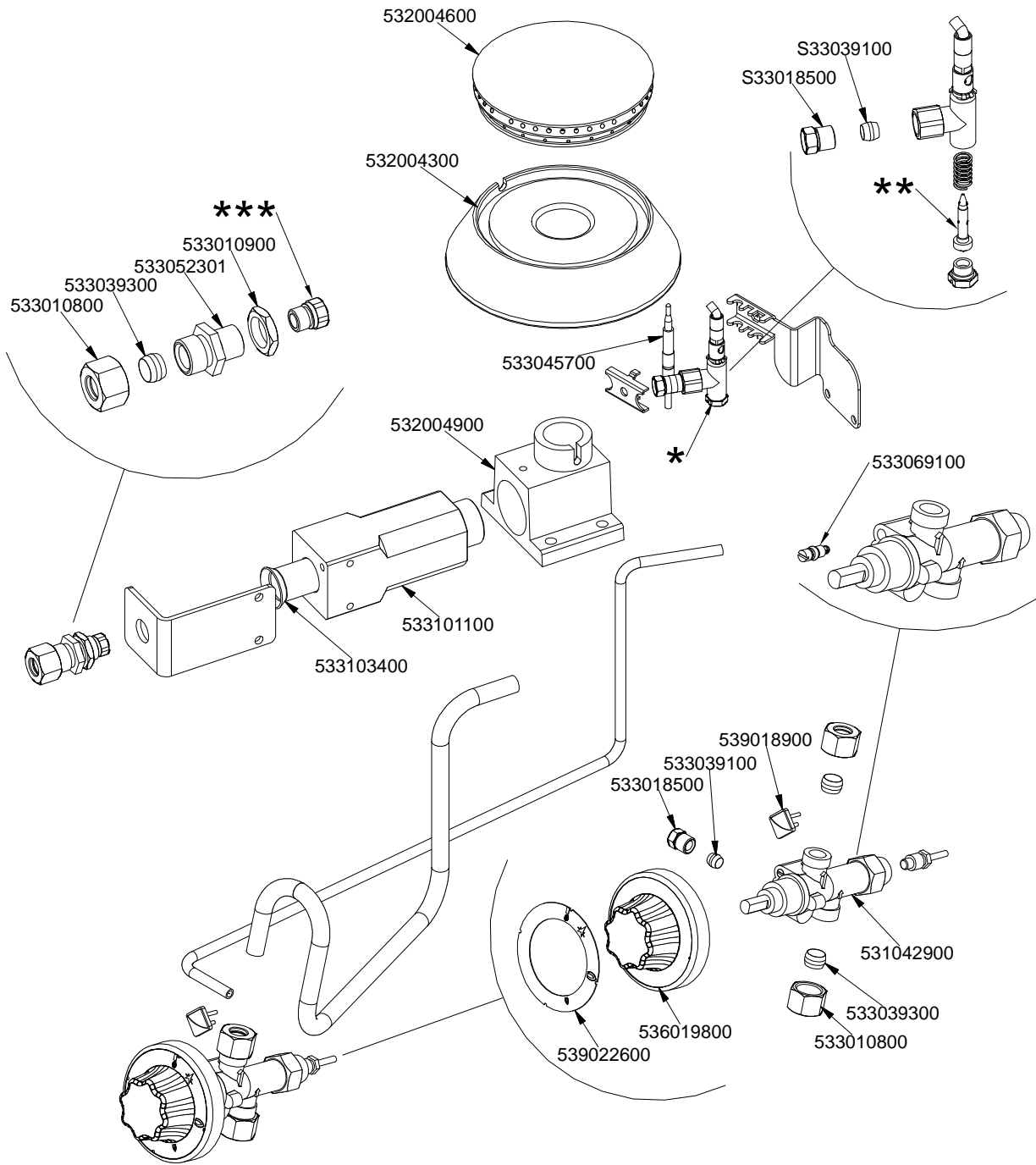
TP2-78GP

| | 1 | 2 | 3 |
|---|-----|-----|-----|
| Vedi Pagina See Page Siehe Seite Voir Page Ver Página | 214 | 215 | 218 |



560041900M00P01

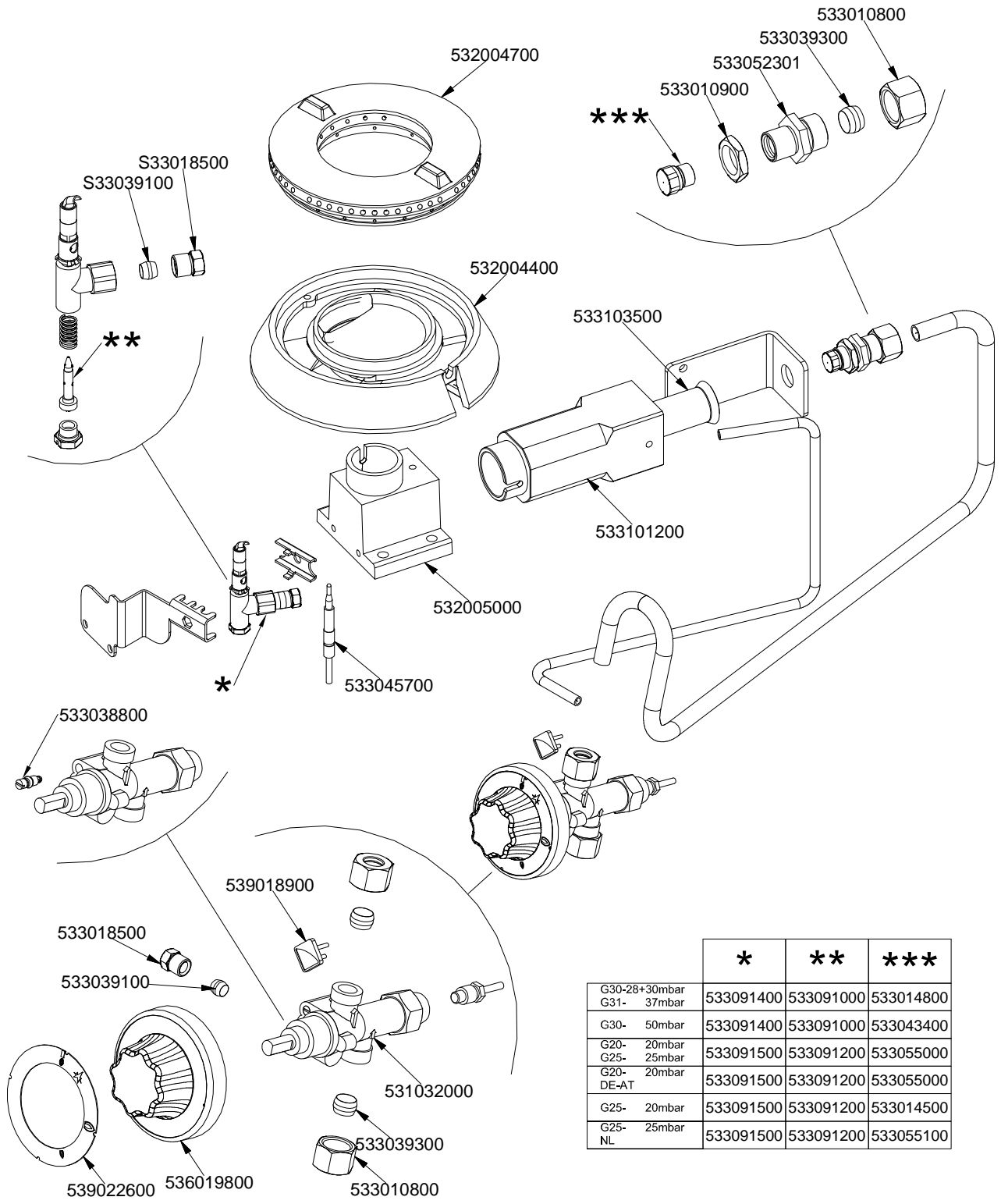
PC-G R



| | * | ** | *** |
|------------------------------|-----------|-----------|-----------|
| G30-28+30mbar G31- 37mbar | 533091400 | 533091000 | 533043900 |
| G30- 50mbar | 533091400 | 533091000 | 533019300 |
| G20- 20mbar G25- 25mbar | 533091500 | 533091200 | 533031000 |
| G20- 20mbar DE-AT | 533091500 | 533091200 | 533031000 |
| G25- 20mbar | 533091500 | 533091200 | 533043500 |
| G25- 25mbar NL | 533091500 | 533091200 | 533019400 |

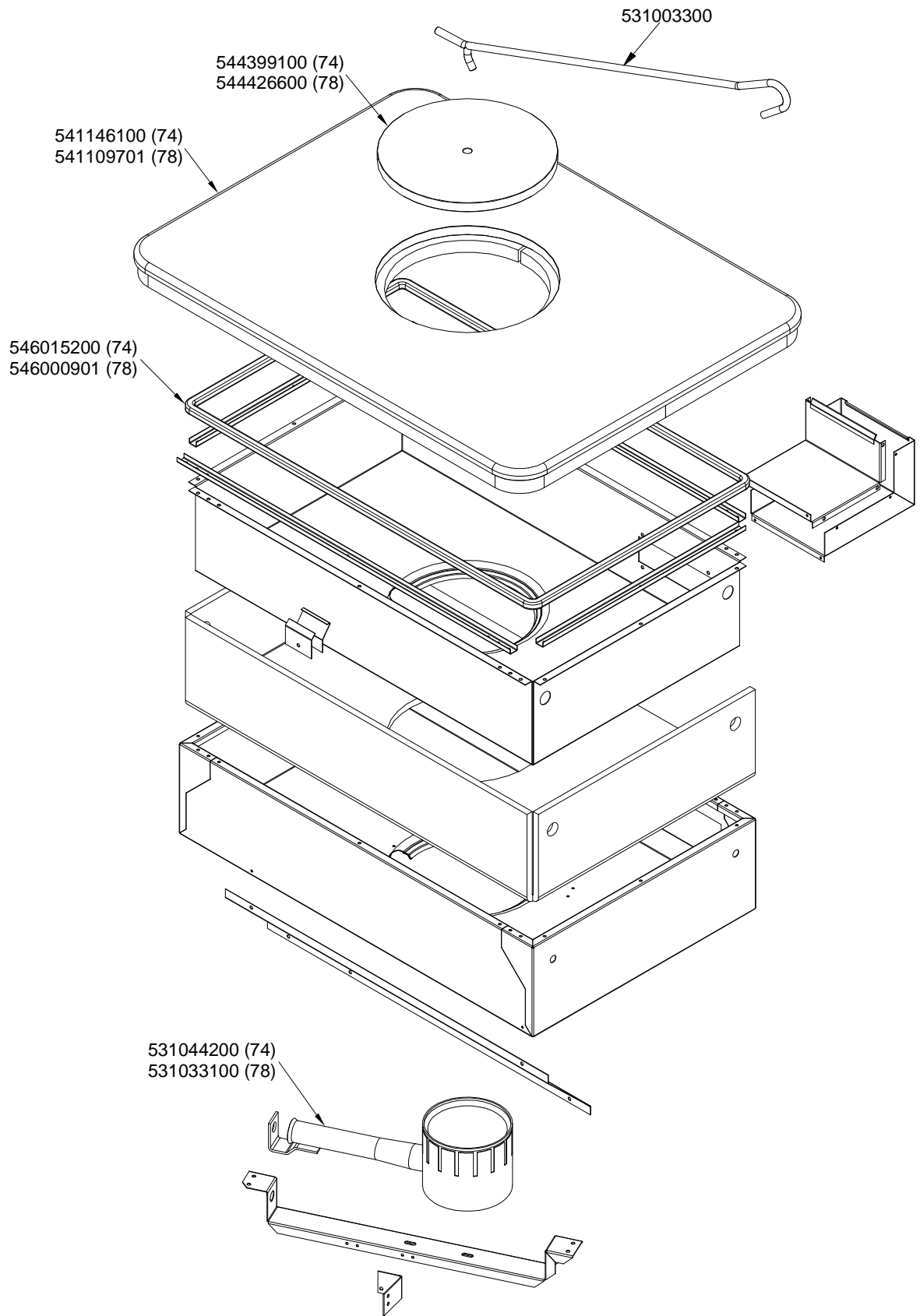
560038600M00P00

PC-G UR



560038700M00P00.

TP

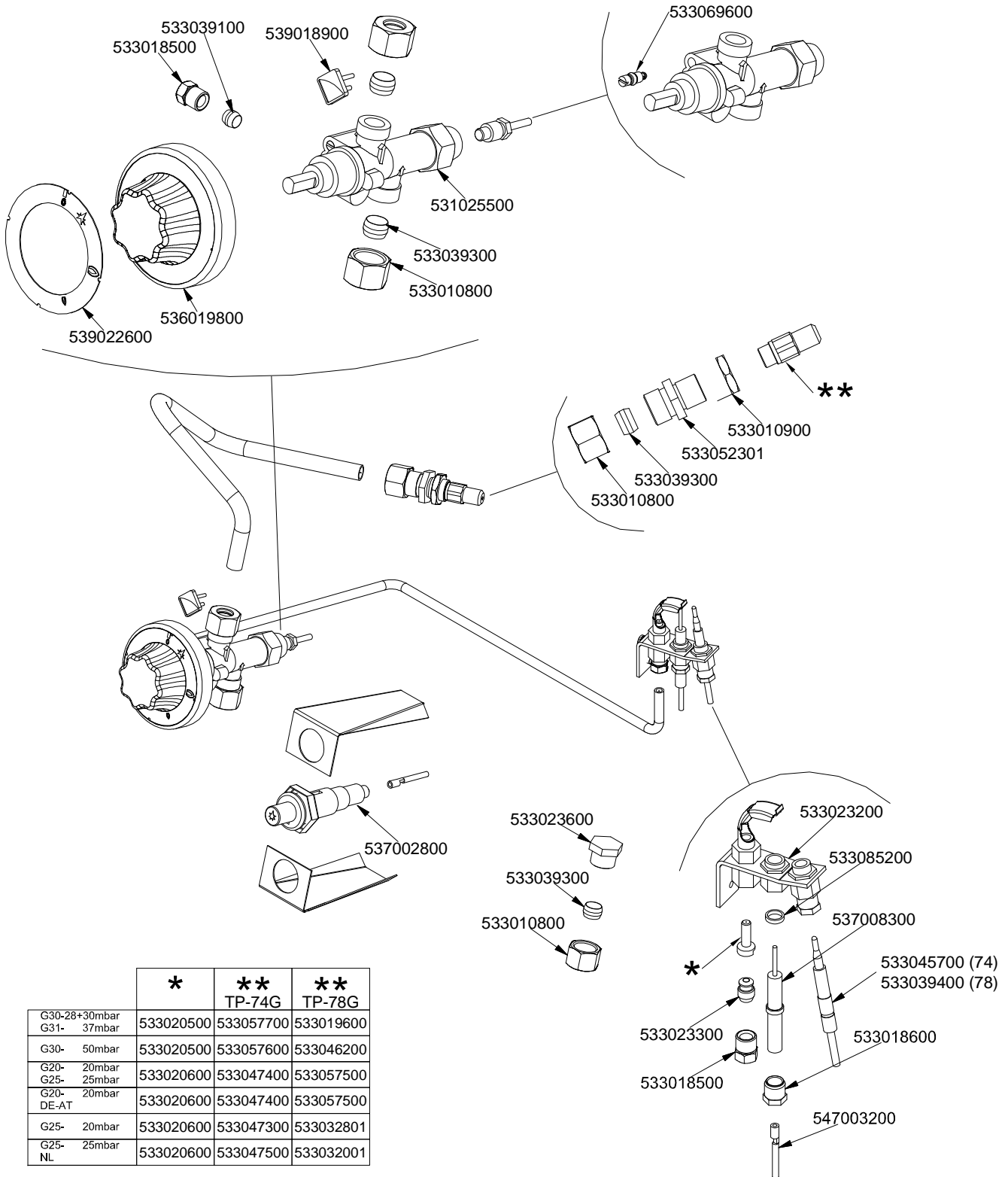


560041400M00P00

SUPERLOTUS 70≥0602

COMPONENTI COMUNI / STANDARDS PARTS / UEBLICHE TEILE / COMPOSANTS COMMUNS

TP



| | * | ** | ** |
|------------------------------|-----------|-----------|-----------|
| | | TP-74G | TP-78G |
| G30-28+30mbar G31- 37mbar | 533020500 | 533057700 | 533019600 |
| G30- 50mbar | 533020500 | 533057600 | 533046200 |
| G20- 20mbar G25- 25mbar | 533020600 | 533047400 | 533057500 |
| G20- 20mbar DE-AT | 533020600 | 533047400 | 533057500 |
| G25- 20mbar | 533020600 | 533047300 | 533032801 |
| G25- 25mbar NL | 533020600 | 533047500 | 533032001 |

560035102M00P00

| Page | Pos | Code | Description |
|------|-----|-----------|-------------------------------------|
| 001 | | 532004100 | FLUE GRID L=370 70LINE (RAF) |
| 001 | | 541134500 | LOW SPACER 78 1 LHD GRID |
| 001 | | 531047000 | 2 BURNER GRID FOR PC-700 |
| 001 | | 544383200 | UPPER PLATE PC-78GP CF4-78GP/GPE |
| 001 | | 544333900 | BURNER CONTAINER 1/1GN R 304 |
| 001 | | 544173500 | LEFT SIDE PANEL S.70 |
| 001 | | 541146500 | CONTROL PANEL TP2-98G |
| 001 | | 544173400 | RIGHT SIDE PANEL S.70 |
| 001 | | 536005200 | INOX LEG 2" 120-180 M10 |
| 002 | | S33039100 | |
| 002 | | S33018500 | |
| 002 | | 532004600 | BURNER COVER RING R D104 |
| 002 | | 532004300 | MIDDLE BURNER BODY 70LINE P. |
| 002 | | 533010900 | NUT M14*1 H.4 |
| 002 | | 533052301 | JOINT FOR NOZZLE HOLDER |
| 002 | | 533039300 | BICONE §10 |
| 002 | | 533010800 | TUBE NUT D.10 M16*1,5 |
| 002 | | 533045700 | THERMOCOUPLE M9*1 500 |
| 002 | | 532004900 | ELBOW FITTING OF BURNER VENTURI R |
| 002 | | 533069100 | BY PASS COCK §60 20S |
| 002 | | 533101100 | BURNER VENTURI R |
| 002 | | 533103400 | AIR ADJUSTMENT BUSHING D20 EST.H57 |
| 002 | | 539018900 | INDEX FOR KNOB |
| 002 | | 533039100 | BICONE §6 |
| 002 | | 533018500 | FITTING FOR BICONE D.6 M10*1 |
| 002 | | 531042900 | B.PASS §60 SAFETY COCK PC/CF 90 |
| 002 | | 536019800 | BLACK KNOB §70 PIN §8*6,5 |
| 002 | | 539022600 | GRADUATED STICKER FOR KNOB |
| 002 | | 533091400 | P.NOZZLE §100 UG.§20 PC90 LPG-FLUS |
| 002 | | 533091000 | NOZZLE 0.100 §20 |
| 002 | | 533043900 | NOZZLE §115 CH12*14 F-CW4 |
| 002 | | 533019300 | NOZZLE §100 G-FQ5 F-CW |
| 002 | | 533091500 | PILOT NOZZLE S.100 §30 PC90 NAT.GAS |
| 002 | | 533091200 | PILOT NOZZLE 0100 Ø35 PIL.PC |
| 002 | | 533031000 | NOZZLE §175 CH12X14 |
| 002 | | 533043500 | NOZZLE §190 CH12*14 G25 PC4R |
| 002 | | 533019400 | NOZZLE §180 CH12*14 L-FQ5 |
| 003 | | 533010800 | TUBE NUT D.10 M16*1,5 |
| 003 | | 533039300 | BICONE §10 |
| 003 | | 532004700 | BURNER COVER RING UR D128 |
| 003 | | 533010900 | NUT M14*1 H.4 |
| 003 | | 533052301 | JOINT FOR NOZZLE HOLDER |
| 003 | | S33018500 | |
| 003 | | S33039100 | |
| 003 | | 532004400 | BIG BURNER BODY 70LINE P. |
| 003 | | 533103500 | AIR ADJUSTMENT BUSHING D22 EST.H57 |
| 003 | | 533101200 | BURNER VENTURI UR |
| 003 | | 532005000 | ELBOW FITTING OF BURNER VENTURI UR |
| 003 | | 533045700 | THERMOCOUPLE M9*1 500 |
| 003 | | 533038800 | 75 BY-PASS FOR 21S TAP |
| 003 | | 539018900 | INDEX FOR KNOB |

| Page | Pos | Code | Description |
|------|-----|-----------|-------------------------------------|
| 003 | | 533018500 | FITTING FOR BICONE D.6 M10*1 |
| 003 | | 533039100 | BICONE §6 |
| 003 | | 531032000 | GAS COCK P.V.BY-PASS Ø075 |
| 003 | | 536019800 | BLACK KNOB §70 PIN §8*6,5 |
| 003 | | 539022600 | GRADUATED STICKER FOR KNOB |
| 003 | | 533091400 | P.NOZZLE S100 UG.§20 PC90 LPG-FLUS |
| 003 | | 533091000 | NOZZLE 0.100 §20 |
| 003 | | 533014800 | NOZZLE §135 CH12*14,0 |
| 003 | | 533043400 | NOZZLE §117 CH12*14 G-PC4 UR |
| 003 | | 533091500 | PILOT NOZZLE S.100 §30 PC90 NAT.GAS |
| 003 | | 533091200 | PILOT NOZZLE 0100 Ø35 PIL.PC |
| 003 | | 533055000 | NOZZLE §205 CH12*14 G25 CW4 |
| 003 | | 533014500 | NOZZLE §225 CH12*14 OVEN GN 2/1 |
| 003 | | 533055100 | NOZZLE §215 CH12*14 L-CW4 |
| 004 | | 531003300 | TP-PLATE LIFTING HOOK |
| 004 | | 544426600 | PLATE RING FOR TP-98G |
| 004 | | 541109701 | UPPER PLATE TP-78G |
| 004 | | 546000901 | SQUARE BRAID OF INSULATING MATERIAL |
| 004 | | 531033100 | BURNER TP..-78G |
| 005 | | 533069600 | BY PASS COCK §130 20S-21S |
| 005 | | 539018900 | INDEX FOR KNOB |
| 005 | | 533039100 | BICONE §6 |
| 005 | | 533018500 | FITTING FOR BICONE D.6 M10*1 |
| 005 | | 531025500 | GAS COCK 21S P.V.BY-PASS Ø130 |
| 005 | | 533039300 | BICONE §10 |
| 005 | | 533010800 | TUBE NUT D.10 M16*1,5 |
| 005 | | 536019800 | BLACK KNOB §70 PIN §8*6,5 |
| 005 | | 539022600 | GRADUATED STICKER FOR KNOB |
| 005 | | 533010900 | NUT M14*1 H.4 |
| 005 | | 533052301 | JOINT FOR NOZZLE HOLDER |
| 005 | | 537002800 | PIEZOELECTRIC IGNITION M18 |
| 005 | | 533023600 | TAP PLUG §10 M16*1, 5CH19 |
| 005 | | 533023200 | "TARGET" PILOT + NIPPLE TC BRAC.90° |
| 005 | | 533085200 | |
| 005 | | 537008300 | ROUND PLUG §2,4- LONG ELECTRODE |
| 005 | | 533039400 | THERMOCOUPLE M9*1*850 |
| 005 | | 533023300 | BICONE §6 ("TARGET" PILOT) |
| 005 | | 533018600 | PLUG FITTING |
| 005 | | 547003200 | HIGH-VOLTAGE CABLE TUBE.§2 L=500 |
| 005 | | 533020500 | NOZZLE 0.140 §19 |
| 005 | | 533057700 | NOZZLE §130A CH12*30 F-BRF74 |
| 005 | | 533019600 | NOZZLE §165 CH12*30 MH-FT5 H-FT6 |
| 005 | | 533057600 | NOZZLE §115A CH12*30 G-BRF74 |
| 005 | | 533046200 | NOZZLE §150 CH12X30 L-BR TP |
| 005 | | 533020600 | NOZZLE 0.140 §27 |
| 005 | | 533047400 | NOZZLE §195 CH12*30 M-BM8 |
| 005 | | 533057500 | NOZZLE §260 CH12X30 |
| 005 | | 533047300 | NOZZLE §215 CH12*30 L-BM8 |
| 005 | | 533032801 | NOZZLE §280 CH12*30 M-CPM |
| 005 | | 533047500 | NOZZLE §205 CH12*30 ML-BM-8G |
| 005 | | 533032001 | NOZZLE §270 CH12*30 MH-CPM |