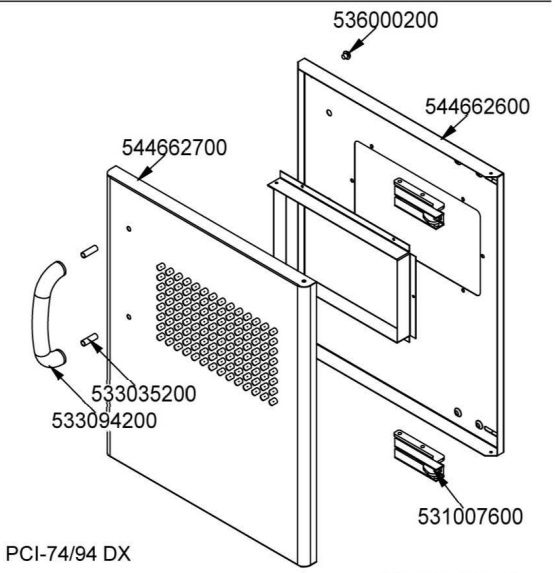
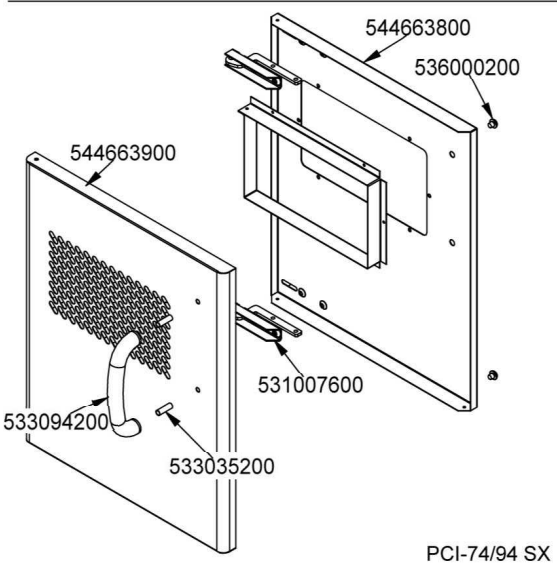
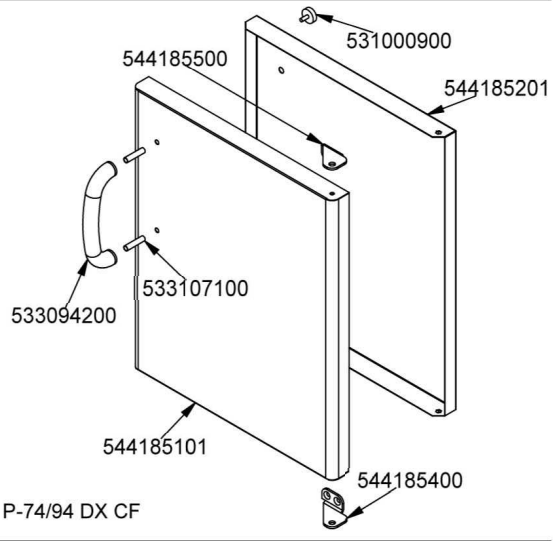
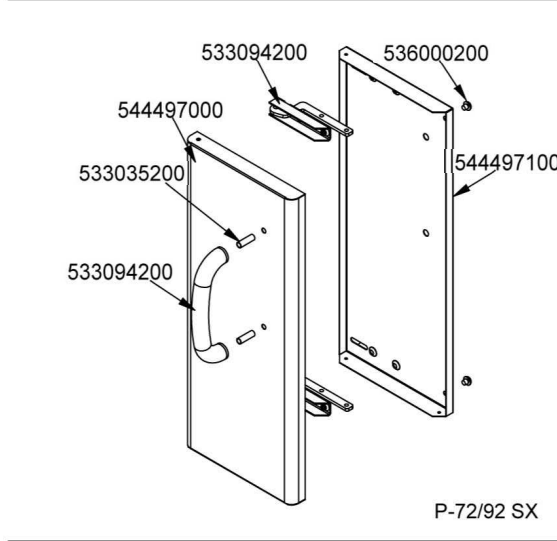
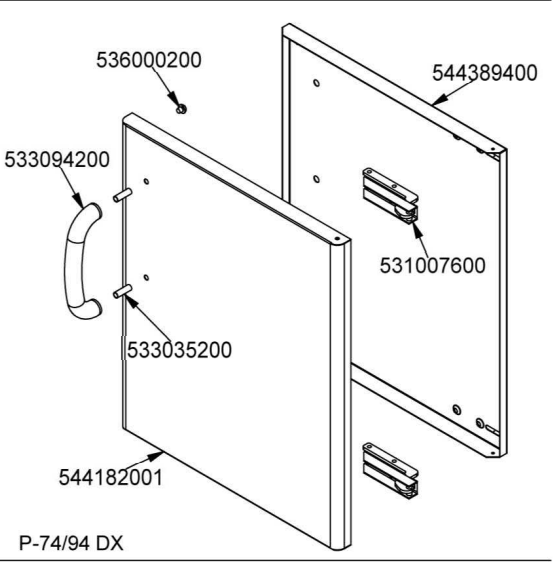
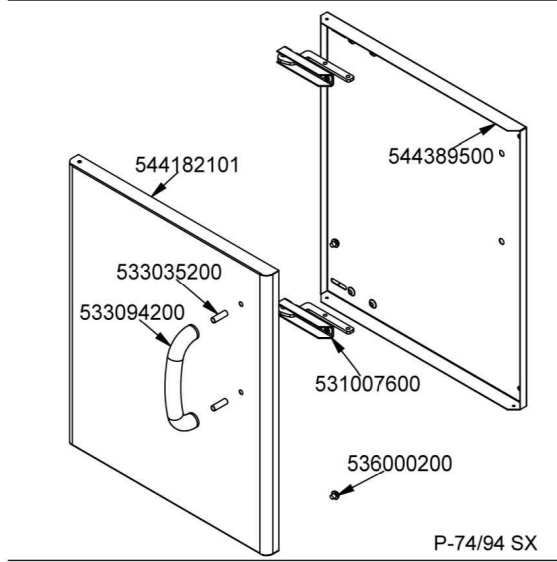
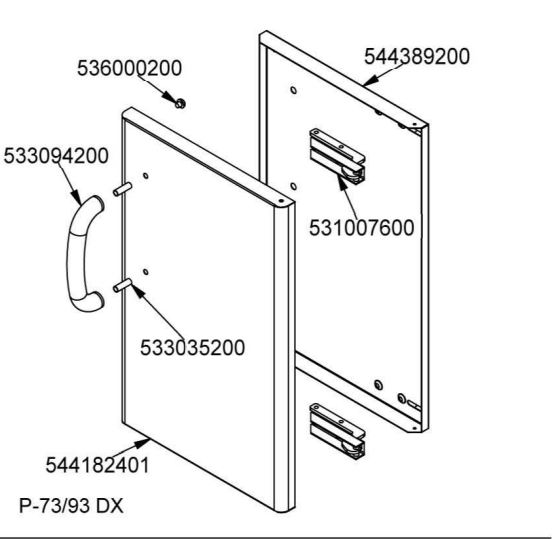


	*	**
G30-28+30mbar G31- 37mbar	533020200	533054900
G30- 50mbar	533020200	533030400
G20- 20mbar G25- 25mbar	533020400	533019400
G20- 20mbar DE-AT	533020400	533019400
G25- 20mbar	533020400	533044000
G25- 25mbar NL	533020400	533043100
G31- 2,49kPa AUS	533020200	533043800
G20- 1kPa AUS	533020400	533055000



Page	Pos	Code	Description
001		532004100	FLUE GRID L=370 90LINE (RAF
001		541142100	SPACER S70 F45-78G 2 GRID
001		531033300	FRYER BASKET 664X349X145H FPG-35
001		531033500	TANK FILTER/BASKET SUPPORT FPG-35
001		544463800	
001		533094200	S/S HANDLE FOR 70/90 SERIES
001		541111300	UPPER PLATE F50-78G
001		537037700	THERMOSTAT MONOPHASE 104-192°C
001		537000400	COMMUTATOR 1POS.SINGLEPHASE S49 16A
001		537001200	FIXING BRACKET FOR THERMOSTAT/COMM.
001		539018900	INDEX FOR KNOB W/RED SIGN
001		536034400	KNOB §77 4P. §06*4,6 C/M
001		539054200	STAMP Ø20,5 CR."L" LOTUS R.
001		539062300	RED STICKING DISK 72 (110,190°
001		537014200	GREEN WARNING LIGHT 250V
001		537014100	WHITE WARNING LIGHT 250V
001		541111900	
001		544173500	LEFT SIDE PANEL S.70
001		537010000	SAFETY THERMOSTAT 220°C SINGLEPHASE
001		531018600	BALL VALVE 1"G M-F CPM-62G
001		536030700	M8 THREADED CAP FOR SEC.THERMOSTAT
001		537036500	TERMINAL BLOCK 4POLES 40A SCREW-SCR
001		541047200	FILTER FOR DRIP TRAY
001		541077100	FILTER FOR DRIP TRAY 23L
001		541109500	CONTROL PANEL BOILING PAN 70 EL.
001		544173400	RIGHT SIDE PANEL S.70
001		536005200	INOX LEG 2" 120-180 M10
002		533010900	NUT M14*1 H.4
002		533053100	AIR ADJUSTMENT BUSHING §20
002		531042300	FRYER BURNER 90.LINE
002		533100300	GUARNIZIONE §23,8X§18,4X1,5 ALL.
002		533081600	EXTENSIBLE STAINL.TUBEL.200-400 3/4
002		536005100	GRAPHITE §07,4 GASKET
002		533008600	STUFFING BOX M9*1
002		533067200	THERMOCOUPLE 220+500 M9*1 CUT-OFF
002		533010400	BICONE D.6
002		533018500	FITTING FOR BICONE D.6 M10*1
002		536022600	BOBINE LID FOR 820 NOVA VALVE
002		533039100	BICONE §6
002		533053300	THERMOCOUPLE EXTENSION M9*1
002		536022500	HANDLE EXTENSION FOR 820NOVA VALVE
002		539018900	INDEX FOR KNOB
002		533011000	PILOT BURNER 3 FLAMES 320
002		533085200	
002		537008300	ROUND PLUG §2,4- LONG ELECTRODE
002		533018600	PLUG FITTING
002		547013900	HIGH-VOLTAGE CABLE TUB.§2 L=1400
002		531043300	3/4 STRAIGHT FITTING W/SCREWS+ORING
002		531042000	NOVA VALVE 820
002		531042200	
002		537027200	BOBINE FOR 820 NOVA VALVE

Page	Pos	Code	Description
002		533040600	HEADLESS SCREW M4*8
002		537002800	PIEZOELECTRIC IGNITION M18
002		539028900	
002		536022501	
002		533126400	
002		533075300	
002		531063800	
002		533020200	PILOT JETS 0160 FOR LPG §30
002		533020400	NOZZLE 0160 (NATURAL GAS) 51
002		533054900	NOZZLE §120 CH12*14
002		533030400	NOZZLE §105 CH12X14 G-FG/CW
002		533019400	NOZZLE §180 CH12*14 L-FQ5
002		533044000	NOZZLE §195 CH12*14 M-CW4
002		533043100	NOZZLE §185 G25 CH12X14
002		533043800	NOZZLE §130 CH12*14 G-CW4
002		533055000	NOZZLE §205 CH12*14 G25 CW4
003		544389300	CONTROP.73 SX APP. LT
003		531007600	DOOR HINGE
003		544182501	LEFT DOOR 73
003		533094200	S/S HANDLE FOR 70/90 SERIES
003		533035200	HANDLE SPACER
003		536000200	D.12 H.4 BUMPER
003		544389200	CONTROP.73 DX APP. LT
003		544182401	RIGHT DOOR 73
003		544182101	LEFT DOOR 74
003		544389500	INNER-DOOR OF LHD 74
003		544389400	CONTROP.74 DX APP. LT
003		544182001	RIGHT DOOR 74
003		544497000	PORTA 72 SX
003		544497100	CONTROP.72 SX APP. LT
003		544185101	RIGHT DOOR 74 CF
003		533107100	HANDLE SPACER OF CF-70
003		544185500	UPPER DOOR HINGE FOR COMPARTME CF70
003		531000900	MAGNET §22 KG.3 WITH DISK
003		544185201	INNER DOOR * 74DX
003		544185400	LOWER DOOR HINGE FOR COMPARTME CF70
003		544663900	LHD 74 DOOR FOR PCI
003		544663800	74 LHD OVEN INNER DOOR FOUR PCI
003		544662700	DOOR 74 DX PCI
003		544662600	CONTROP.74 DX APP. LT PCI