

# CS55 SERVICE PARTS

THIS SECTION CONTAINS THE PARTS ILLUSTRATIONS AND PARTS LISTS FOR THE CS55.

A NO NUMBER DESIGNATION, WHEN USED IN THE NUMBER COLUMN, INDICATES THE UNIT IS NOT AVAILABLE FROM SCOTSMAN AS AN ASSEMBLY.

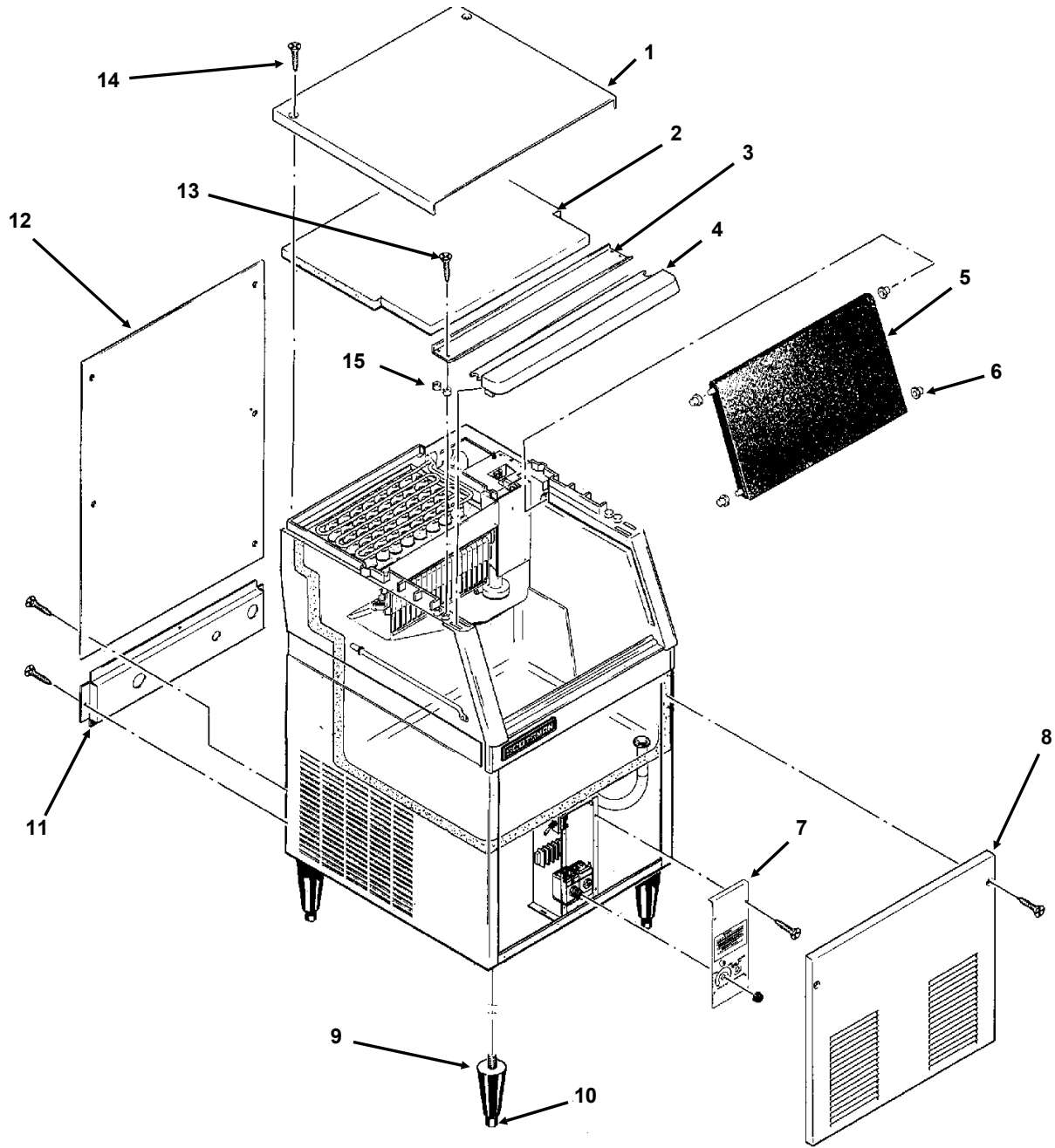
THIS DESIGNATION IS USED ONLY FOR CLARITY OF DIVISION IN MAKING THE LIST.

WHEN ORDERING PARTS OF ASSEMBLIES, TO AVOID COSTLY DELAYS AND ERRORS IN SHIPMENT, GIVE THE PART NUMBER, THE COMPLETE DESCRIPTION AS SHOWN IN THE LIST, AND THE QUANTITY OF EACH PART OR ASSEMBLY REQUIRED.

## TABLE OF CONTENTS

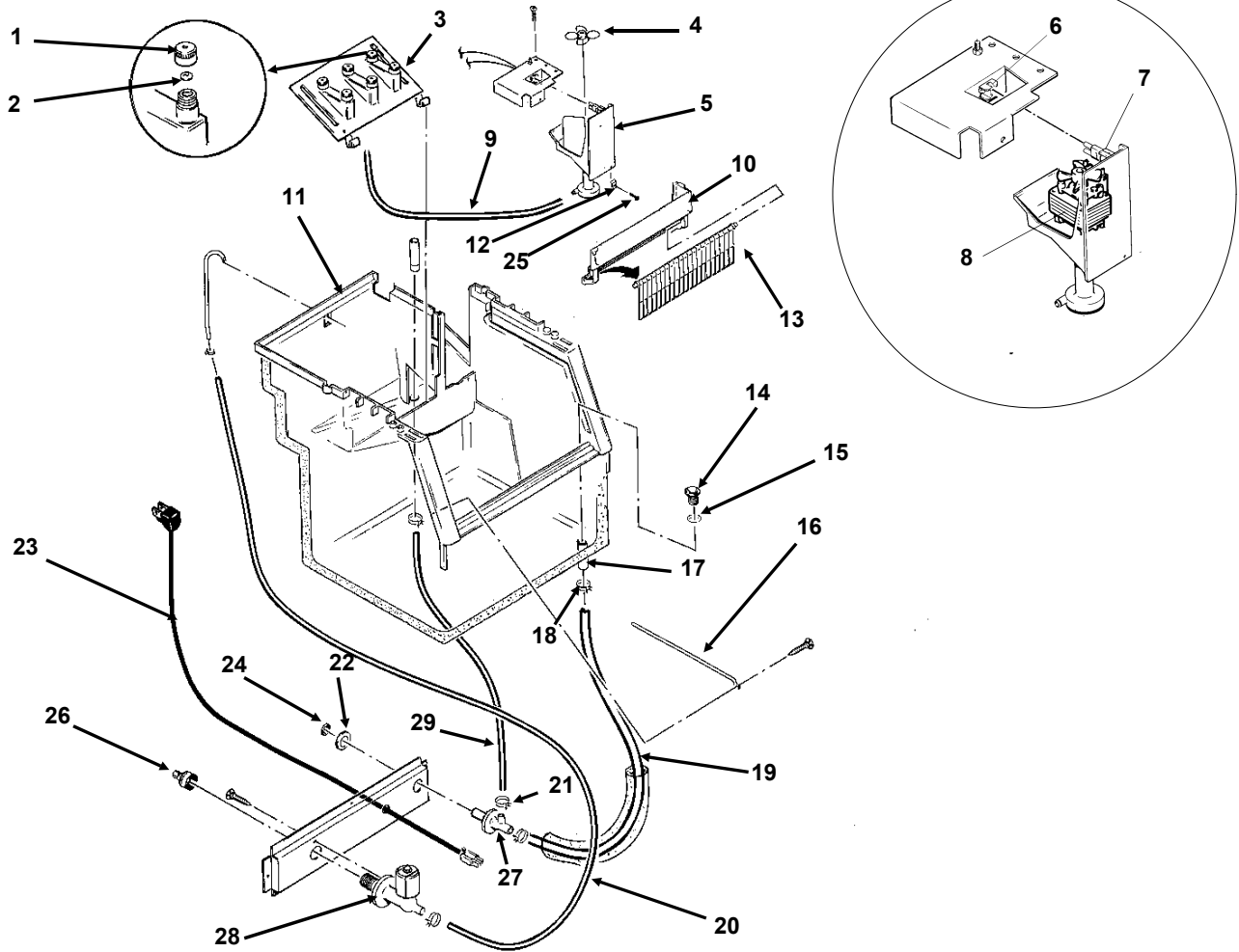
CABINET .....	PAGE 1
INTERIOR .....	PAGE 2
REFRIGERATION .....	PAGE 3
CONTROL BOX .....	PAGE 4
WIRING DIAGRAM	
AIR COOLED.....	PAGES 5-6

# CS55 SERVICE PARTS CABINET



ITEM NUMBER	PART NUMBER	DESCRIPTION	ITEM NUMBER	PART NUMBER	DESCRIPTION
1.	0701939-00	Top Panel, painted	9.	F660257-00	Leg
	F701939-04	Top panel, stainless steel	10.	F660258-01	Leg Leveler
2.	0650530-00	Insulation/cover	11.	F701945-01	Lower Back Panel, painted
3.	F721455-00	Brace		F701945-01	Lower back panel, stainless
4.	F660468-02	Upper Door Frame	12.	0701938-00	Back Panel, painted
5.	F660572-01	Door		0701938-01	Back panel, stainless steel
6.	F660286-00	Door Bushing (4)	13.	0470000-03	Screw
7.	0705151-02	Control Box Cover	14.	F470002-00	Screw
8.	0701937-00	Front Panel, painted	15.	0650428-01	Nut
	F701937-01	Front panel, stainless steel	16.	0781306-18	Unit frame, painted
				0781306-11	Unit frame, stainless steel

# CS55 SERVICE PARTS INTERIOR

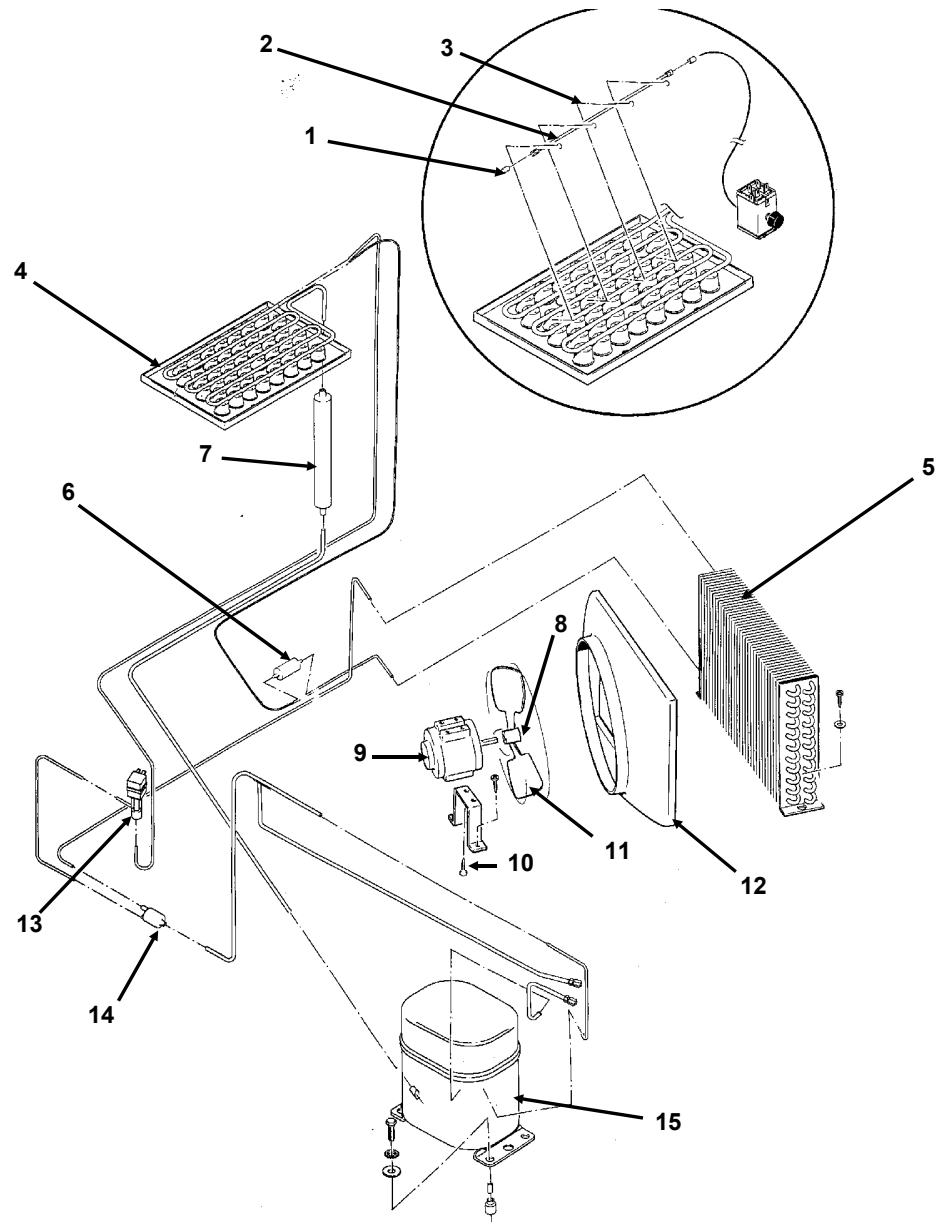


ITEM NUMBER	PART NUMBER	DESCRIPTION	ITEM NUMBER	PART NUMBER	DESCRIPTION
1.	F660155-03	Spray Jet Cap*	16.	F732017-00	Bin Thermo Bracket
2.	F660296-02	Spray Jet Spinner*	17.	0660219-01	Drain Tube Fitting
3.	F793129-04	Spray Platform	18.	0460004-00	Hose Clamp
4.	F660463-02	Pump Fan	19.	F744014-05	Drain Hose Insul.
5.	0742101-00	Pump Support		F610148-11	Bin Drain Hose
6.	F630115-01	Pump Socket	20.	F281900-04	Supply Hose, 680mm
7.	0745007-00	Pump Plug	21.	0460001-00	Hose Clamp
8.	A32588-020	Water Pump	22.	0400071-00	Special Washer
9.	F610166-00	Hose, Pump To Jets	23.	12-1638-10	Power Cord
10.	F660469-02	Evaporator Support	24.	0400070-00	Ring Nut
11.	F060498-01	Storage Bin Assembly	25.	0470000-06	Screw
12.	0650536-00	Speed Clip	26.	02165477	Adaptor (optional)
13.	F784169-09R	Curtain	27.	F660224-00	Drain Fitting
14.	F660211-01	Drain Top	28.	A32405-001	Inlet Water Valve
15.	F640134-00	O-ring	29.	F610159-02	Drain Hose

\* Spray system changed, no longer uses Cap & Spinner

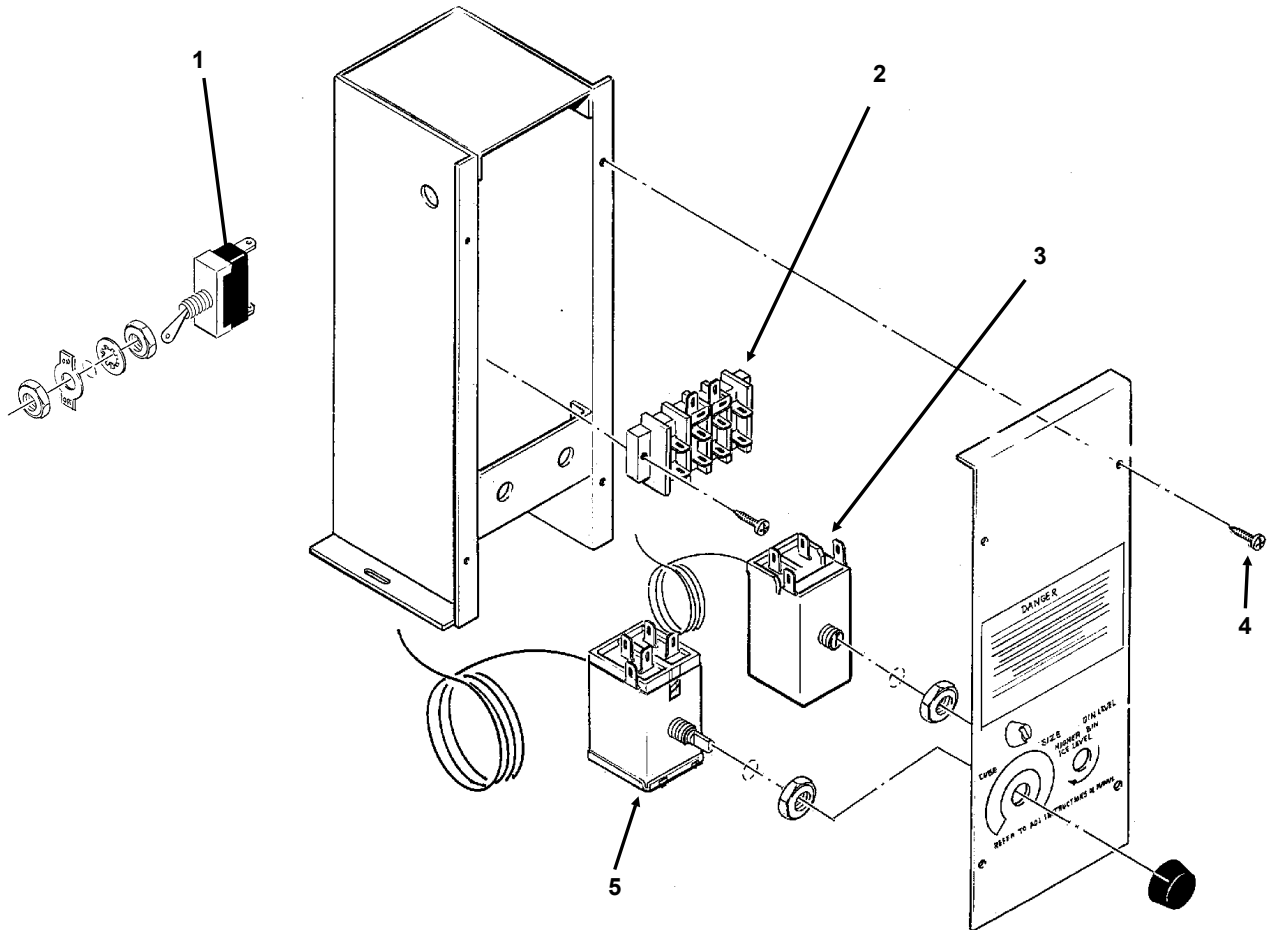
# CS55 SERVICE PARTS

## REFRIGERATION



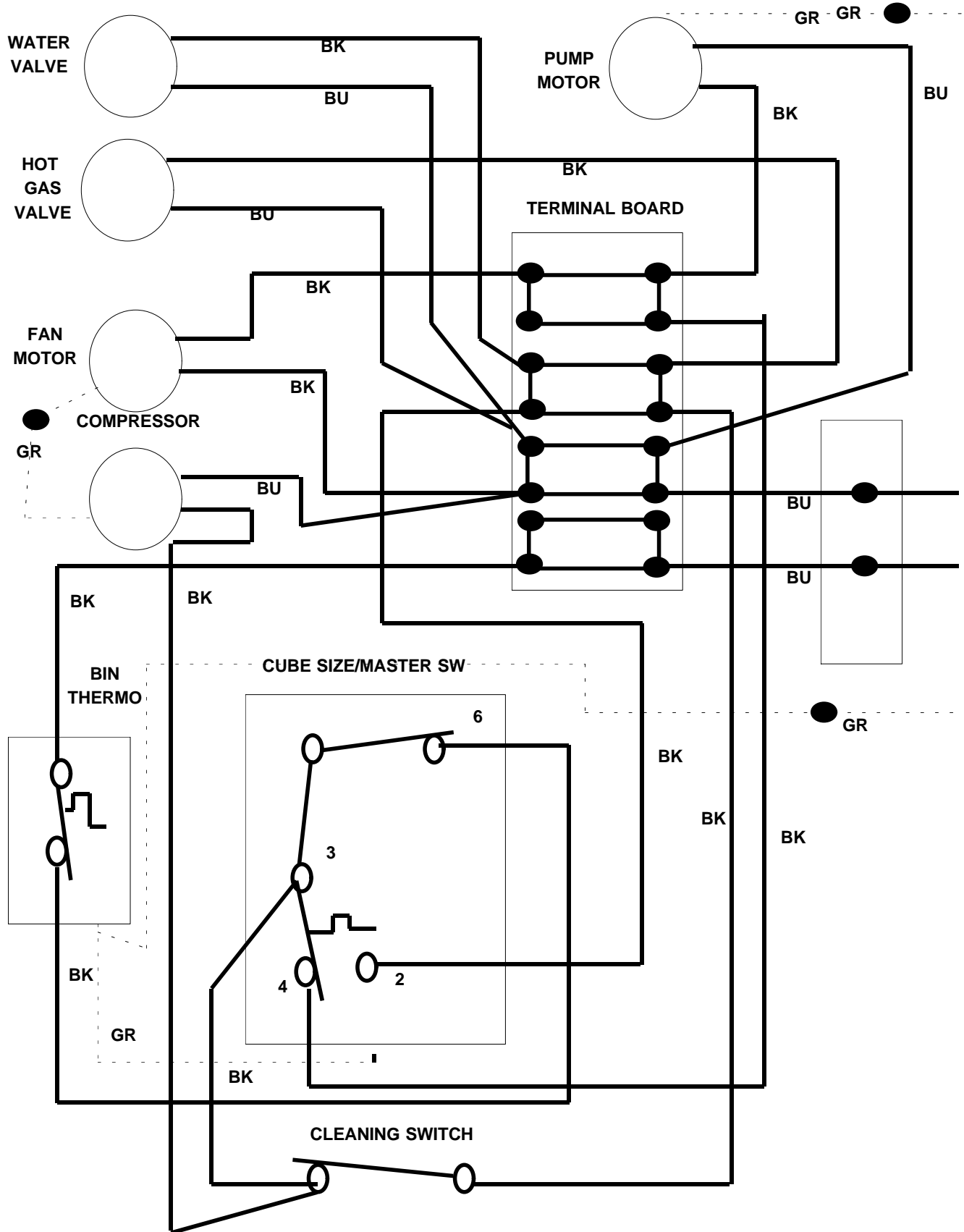
ITEM NUMBER	PART NUMBER	DESCRIPTION	ITEM NUMBER	PART NUMBER	DESCRIPTION
1.	F660465-00	Tube Cap	10.	0420800-00	Screw
2.	F741114-00R	Tube	11.	18-8725-21	Fan Blade
3.	F650475-02	Tube Clip	12.	F660484-00	Fan Shroud
4.	0784298-01	Evaporator	13.	12-2007-01	Hot Gas Valve Body
5.	F620276-02	Condenser		12-2008-01	Hot Gas Valve Coil
6.	F630003-05	Drier	14.	F630020-01	Strainer
7.	0784278-02	Accumulator/suction Line	15.	0670093-00	Compressor
8.	18-8752-11	Fan Nut		0630057-26	Relay
9.	A38464-001	Fan Motor		F620058-36	Overload

# CS55 SERVICE PARTS CONTROL BOX



ITEM NUMBER	PART NUMBER	DESCRIPTION
1.	F620033-01	Toggle Switch
2.	F630114-01	Terminal Board
3.	F620209-00	Bin Thermostat
4.	0470079-00	Screw
	0440063-00	Lockwasher
5.	A34323-001	Cube Size Control

# CS55 COMPONENT LAYOUT WIRING DIAGRAM



# CS55 SCHEMATIC WIRING DIAGRAM

SHOWN IN THE FREEZE CYCLE

