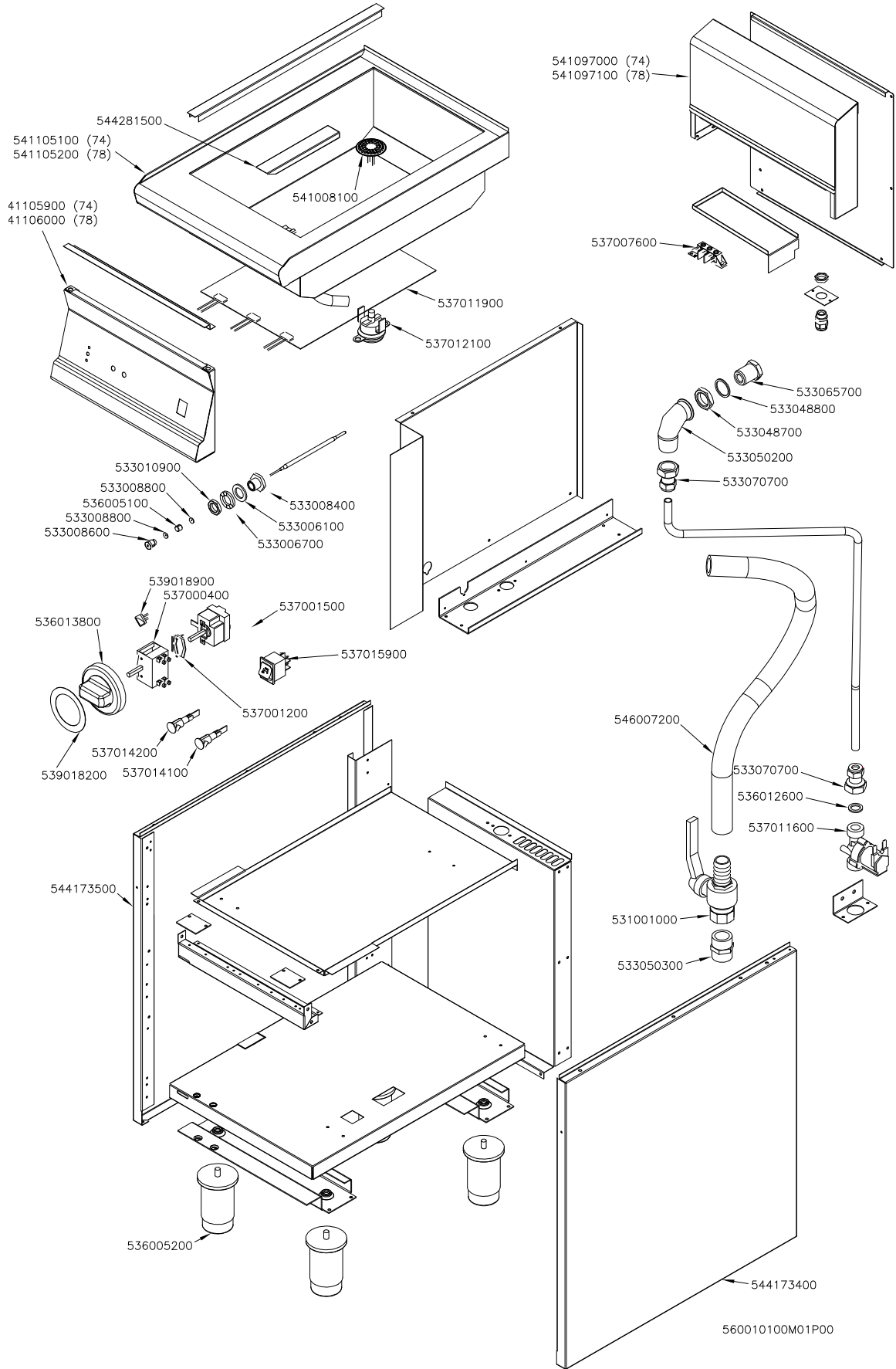


**SUPERLOTUS 70**  
**ELETRICO / ELECTRIC / ELEKTRO / ELECTRIQUE**

**BM-74EM BM-78EM N° ≤0412**



Page	Pos	Code	Description
001		544281500	PROBE PROTECTION BM/BS-65
001		541105200	UPPER PLATE BM-78E
001		541105900	CONTROL PANEL BS-74E
001		541008100	DRAIN FILTER TANK CP 700LINE
001		541097100	NEUTRAL SPACER 78
001		537007600	TERMINAL BLOCK SINGLEPHASE 40A
001		537011900	HEATING ELEMENT W650 V230 ICE-FOIL
001		537012100	TEMPERATURE LIMITING DEVICE 165°C
001		533065700	FITTING FOR WATER INPUT 1/2G
001		533048800	GASKET §30*§21*2 FIBRE
001		533048700	NUT 1/2G ZN
001		533050200	90° 1/2 M/F ELBOW FITTING
001		533070700	FITTING 1/2G TUBE D10 + O-RING
001		533010900	NUT M14*1 H.4
001		533006100	GASKET D.24
001		533008800	WASHER FOR STUFFING BOX §7.7
001		536005100	GRAPHITE §07,4 GASKET
001		533008600	STUFFING BOX M9*1
001		533008400	LOCK NUT M14*1-M9*1
001		533006700	NOTCHED WASHER D.14
001		539018900	INDEX FOR KNOB
001		537001500	THERMOSTAT 30-90°C SINGLEPHASE
001		537000400	COMMUTATOR 1POS.SINGLEPHASE S49 16A
001		536013800	KNOB D.70 BLACK 6*5 WITH SPRING
001		537015900	BIPOLAR SWITCH
001		537001200	FIXING BRACKET FOR THERMOSTAT/COMM.
001		537014200	GREEN WARNING LIGHT 250V
001		539018200	ADHESIVE GRADUATED DISC FOR KNOB
001		537014100	WHITE WARNING LIGHT 250V
001		546007200	RUBBER TUBE §19INT.*§27EXT.*L=640
001		536012600	GASKET §12,5*§18,5*2 1/2G
001		537011600	1IN+1OUT VALVE 180°C 230V 1/2G
001		531001000	DRAIN COCK 3/4" + HANDLE
001		533050300	HEXAGONAL NIPPLE 3/4G
001		544173400	RIGHT SIDE PANEL S.70
001		536005200	INOX LEG 2" 120-180 M10
001		544173500	LEFT SIDE PANEL S.70