



ELECTRIC OVEN
ELEKTROBACKOFEN
FOUR ÉLECTRIQUE
HORNO ELÉCTRICO
FORNO ELÉCTRICO
FORNO ELETTRICO

GAS OVEN
GASBACKOFEN
FOUR À GAZ
HORNO DE GAZ
FORNO A GÁS
FORNO A GAS

OVEN WITH BOILER
BACKOFEN MIT BOILER
FOUR AVEC CHAUFFE-EAU
HORNO CON BOILER
FORNO COM BOILER
FORNO CON BOILER

DIRECT OVEN
DIREKTER BACKOFEN
FOUR DIRECT
HORNO DIRECTO
FORNO DIRECTO
FORNO DIRETTO

OVEN WITH WASH CYCLE
BACKOFEN MIT SPÜLUNG
FOUR AVEC LAVAGE
HORNO CON CICLO DE LAVADO
FORNO COM LAVAGEM
FORNO CON LAVAGGIO

OVEN WITH CORE PROBE
BACKOFEN MIT KERNFÜHLER
FOUR AVEC SONDE À CŒUR
HORNO CON Sonda Térmica
FORNO COM Sonda No Núcleo
FORNO CON Sonda Al Cuore

OVEN WITH TROLLEY
BACKOFEN MIT TROLLEY
FOUR AVEC TROLLEY
HORNO CON TROLLEY
FORNO COM TROLLEY
FORNO CON TROLLEY

FCE108/FCG108

REV. 01 - 06/13

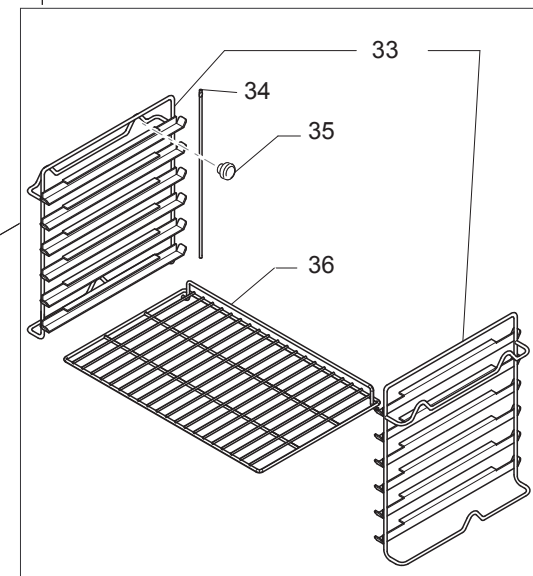
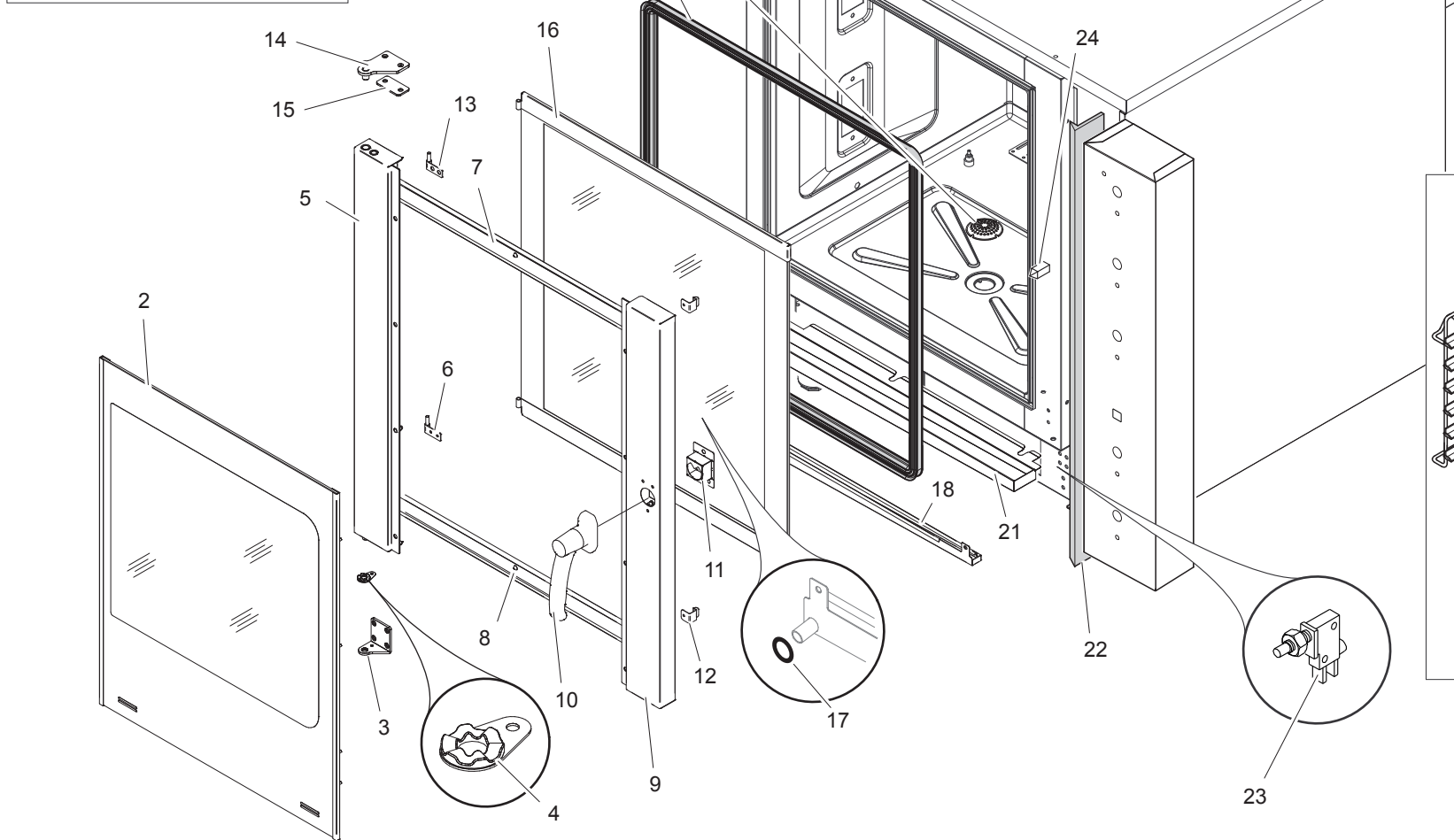
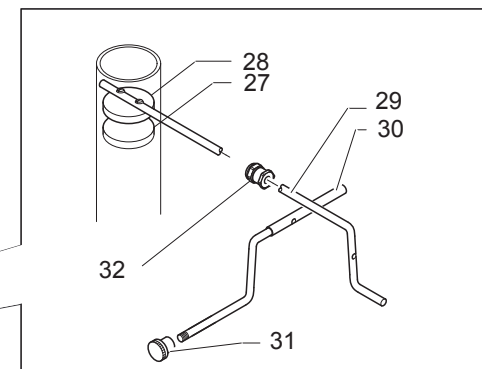
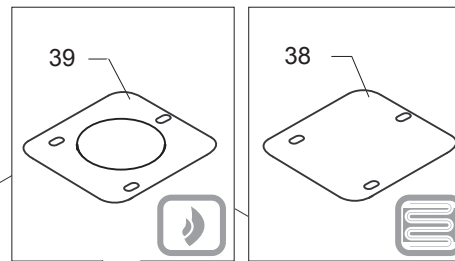
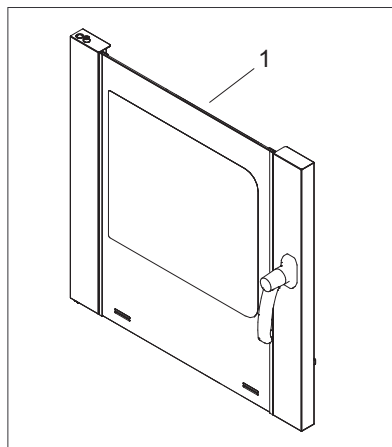
Starting from serial number FCE108 n. DR1056753.
Details: Replaced air conveyor with one more reliable.

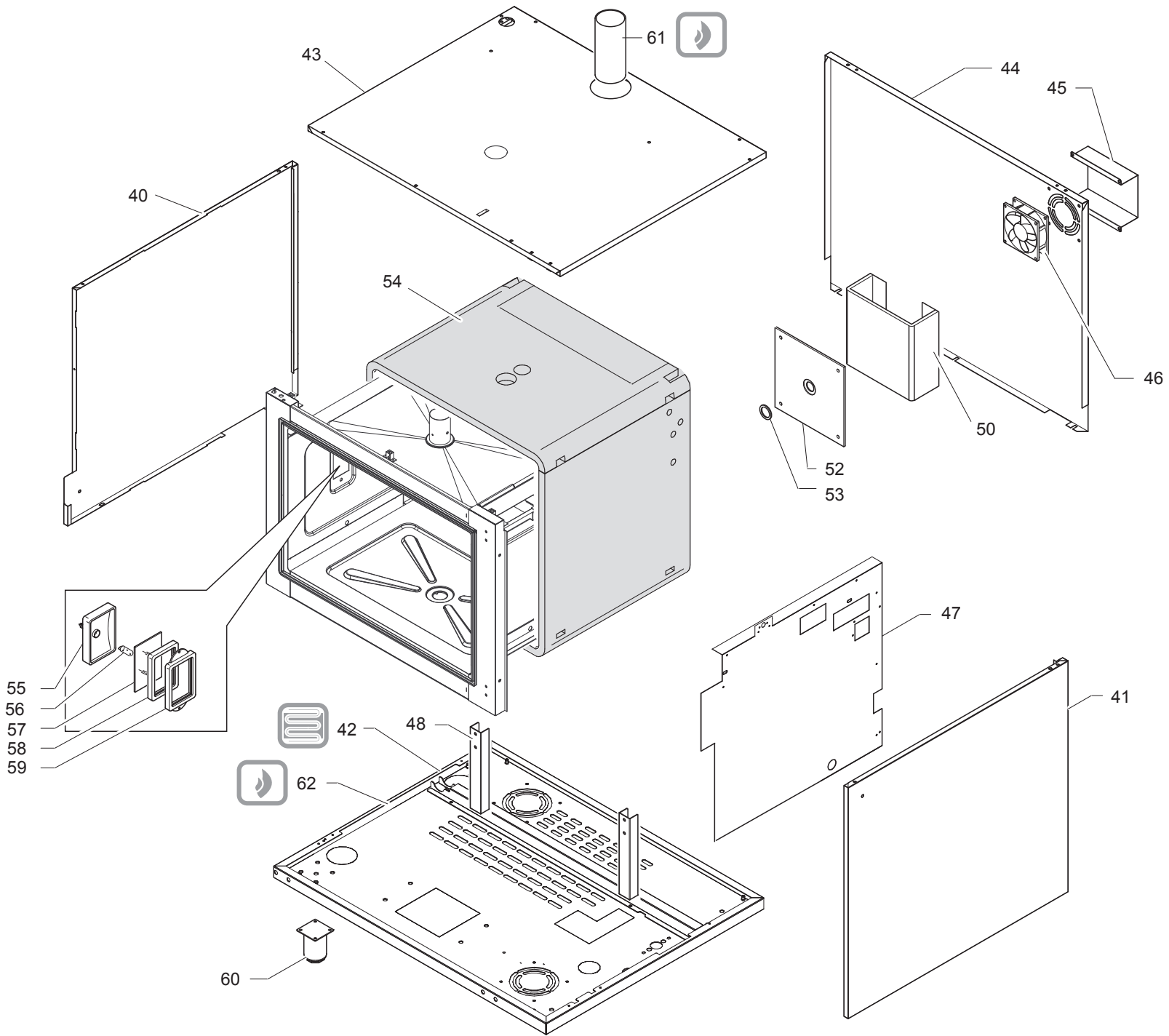
REV. 02 - 10/07/14

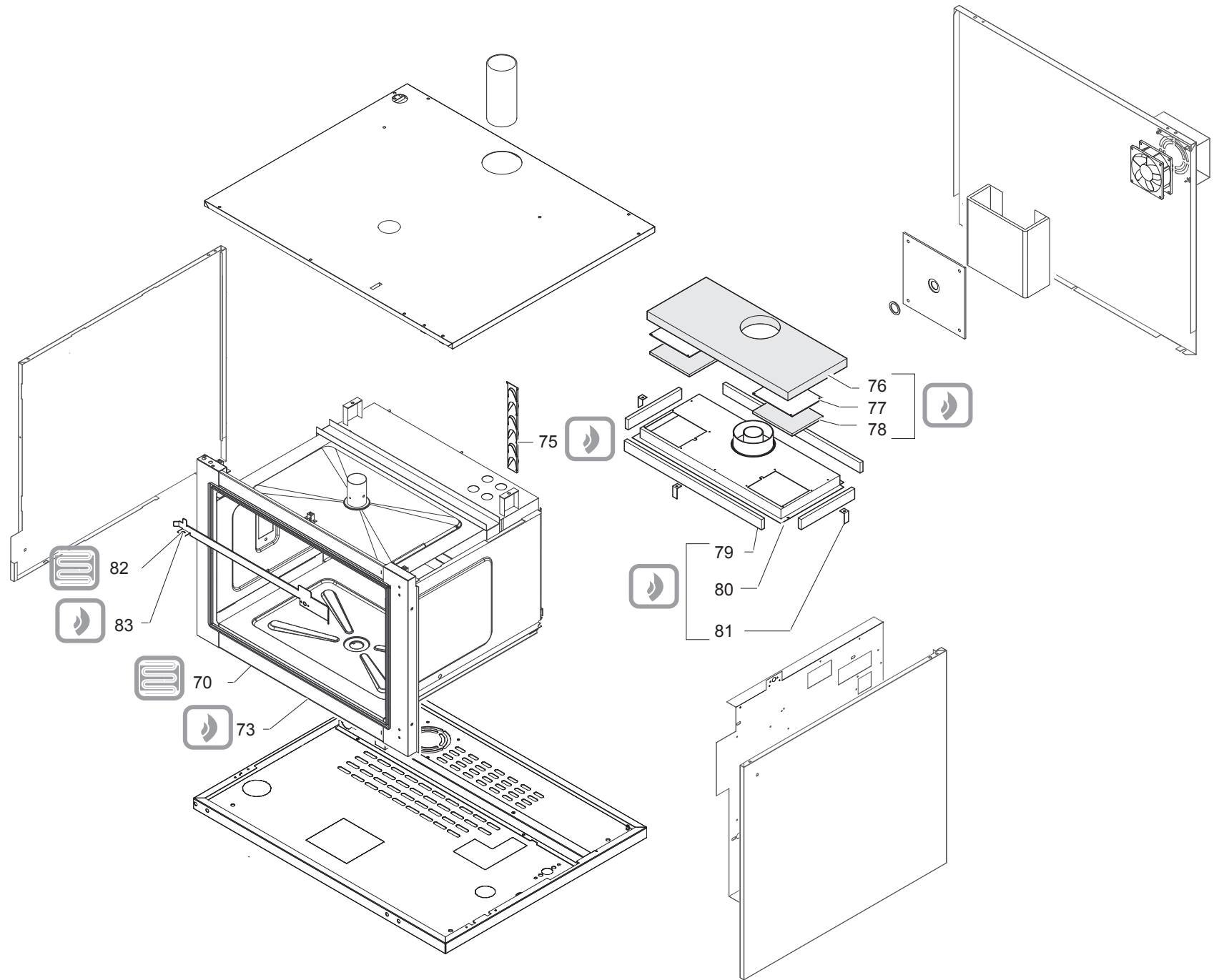
Replaced tav1 n.23 RTFOC00711 with 175286 (retrofit)

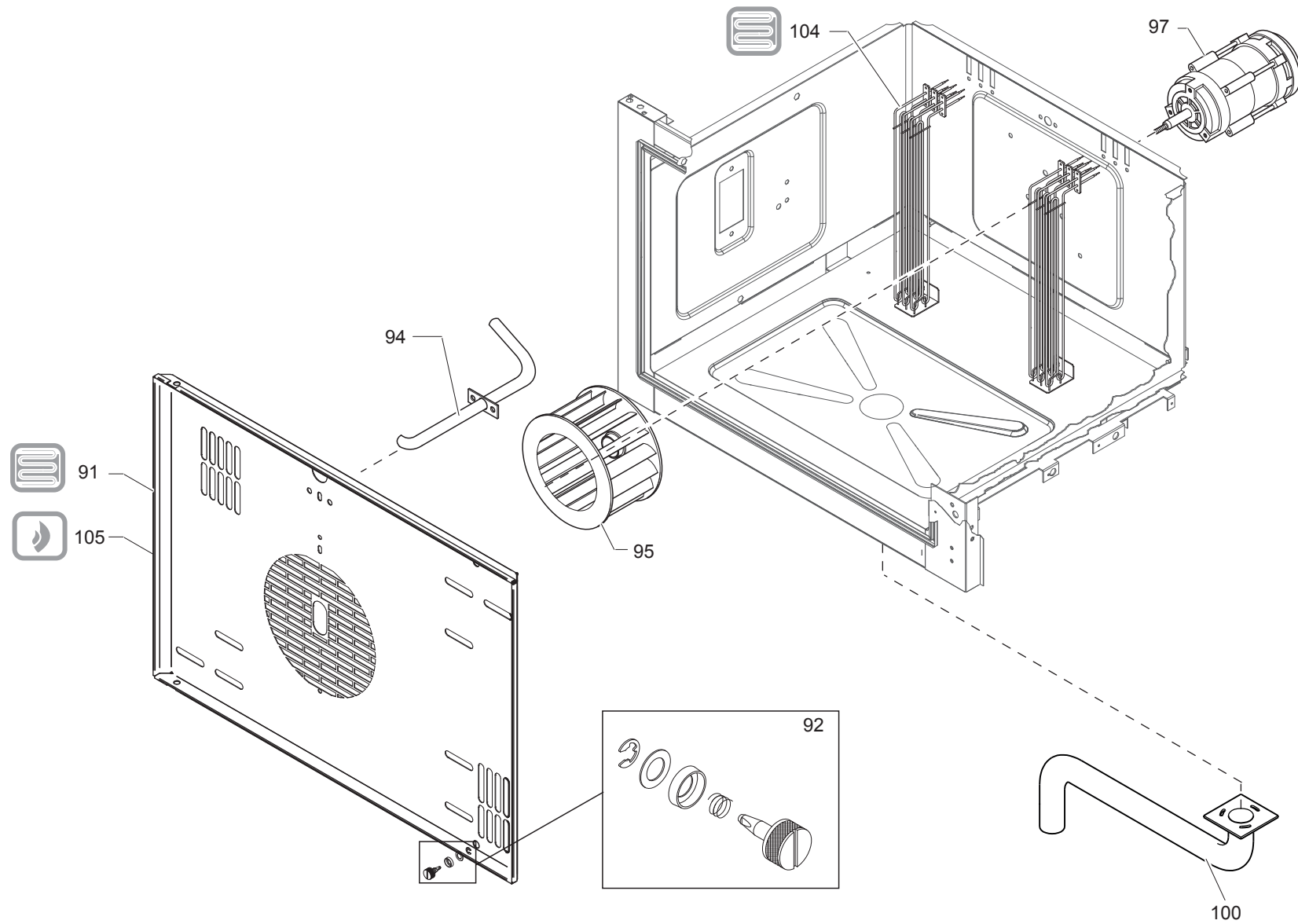
You can find updated troubleshooting in private area of the MBM web site (www.mbmitaly.it).

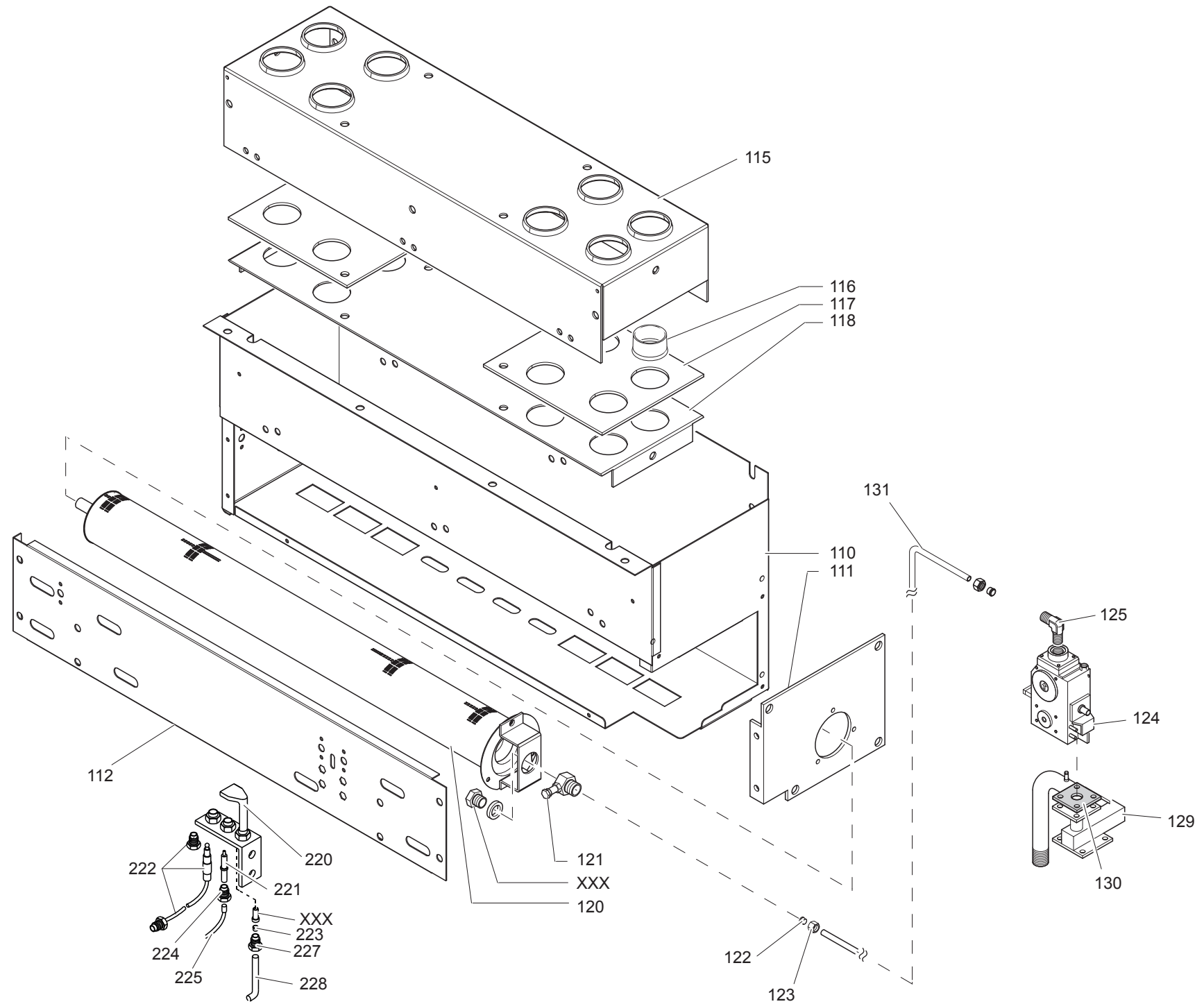
The information and images above are considered not binding. The manufacturer reserves the right to make changes at any time without notice.

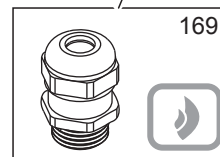
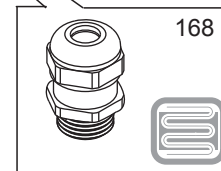
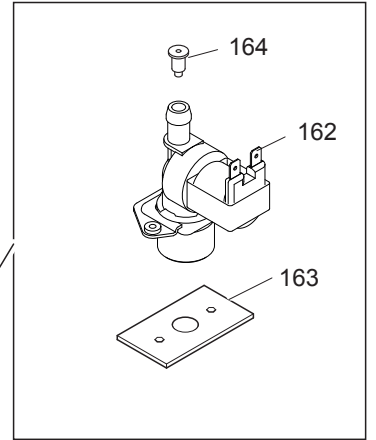
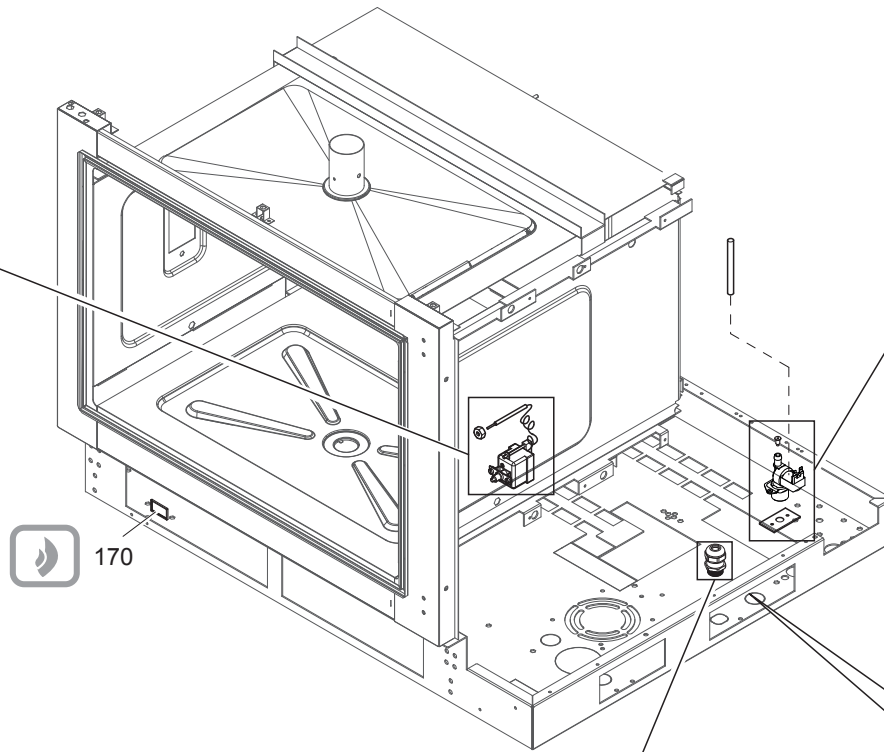
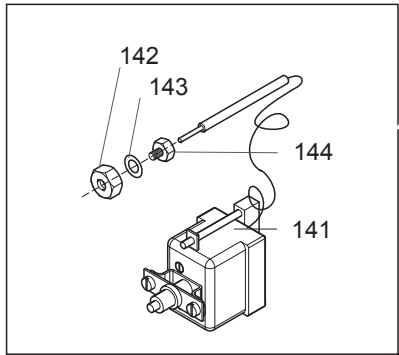


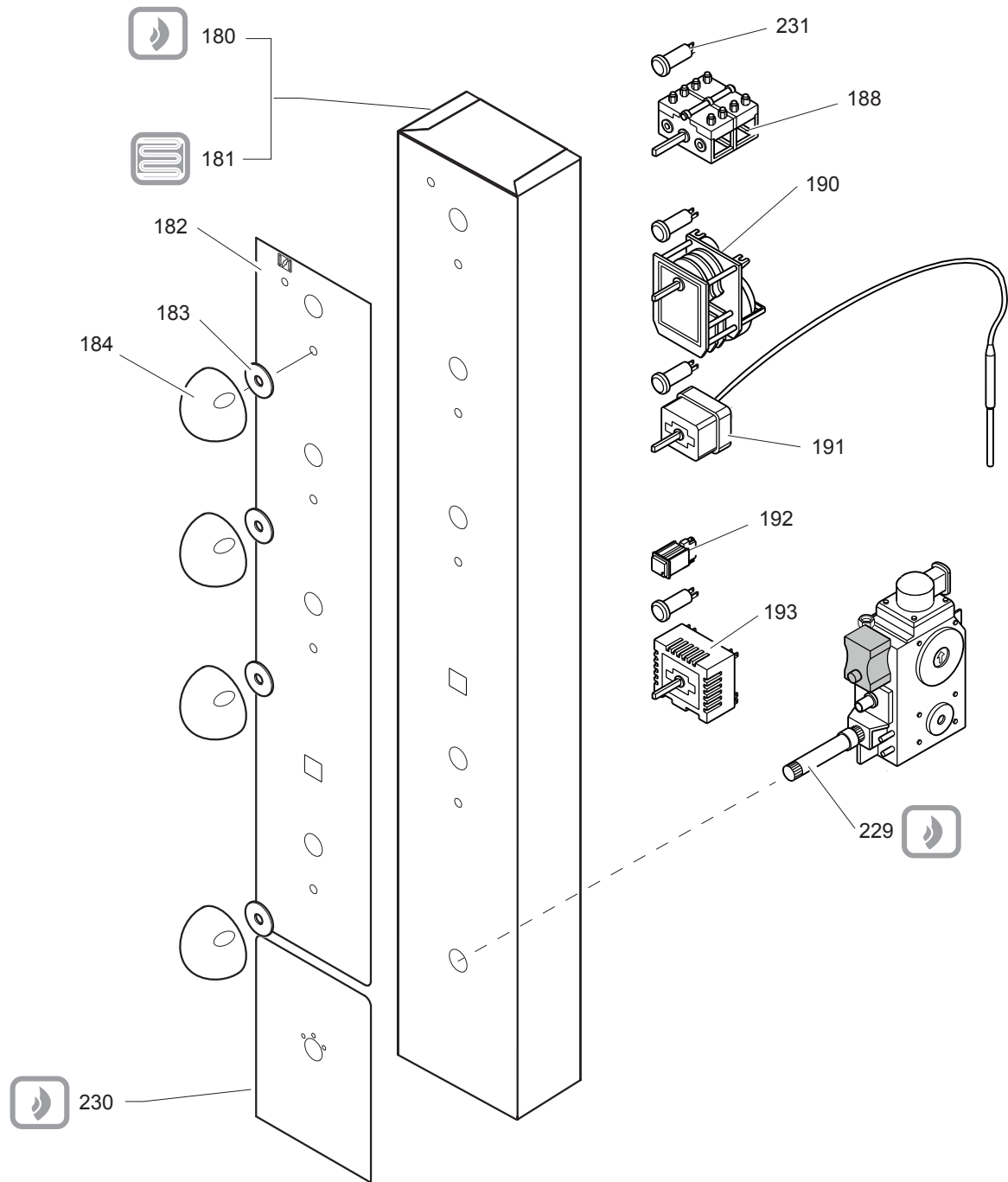
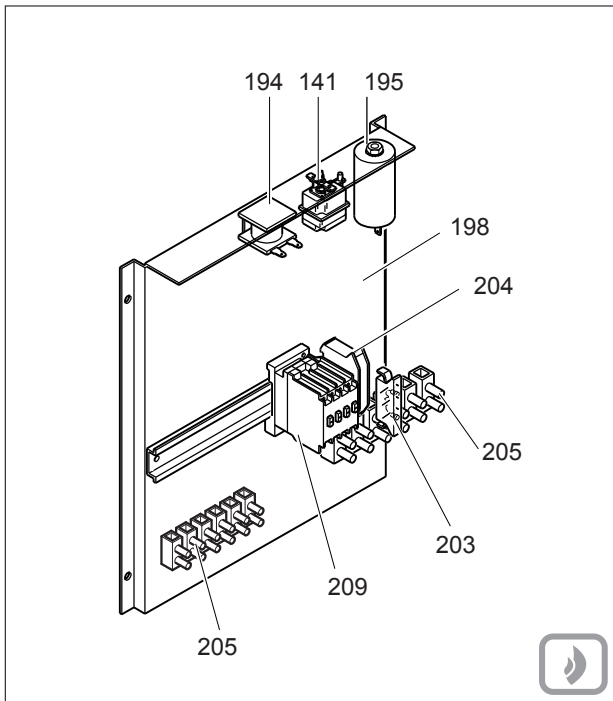
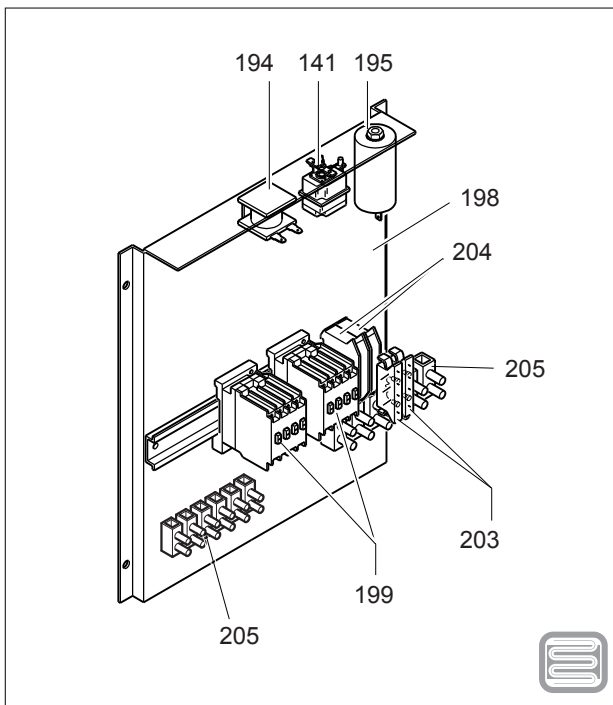












108 CONVO - TAV.7

SERIE 108 CONVO

	POS.	COD.	IT	FR	GB	DE
			ELETTRICO			
TAV.1	38	180901	FLANGIA CH.SC.GAS D.146	FLANGE	BRIDE	FLANSCH
TAV.2	42	180905	GR.BASAMENTO F.EL.68E/108/108E	ENSEMBLE BASE	TOGETHER BASE	ZUSAMMEN UNTERSEITE
TAV.3	70	180677	AS.CASS.+FACCIATA FEM108E/FEMD/FCE108	ENSEMBLE	ASSEMBLY	MONTAGE
TAV.3	82	172227	LAM.FISSA CONV.ARIA DEM110L	FIXATION	FIXING	FIXING
TAV.4	91	182669	CONVOGLIATORE FEMD/FEM/FCE 108/E	CONVOYEUR AIR	AIR CONVEYOR	LUFTFÖRDERER
TAV.4	104	RTFOC00068	R.FEC100 2,5KW240	RESISTANCE 2,5KW240	RESISTANCE 2,5KW240	WIDERSTAND 2,5KW240
TAV.6	168	RTBF800138	F/CAVOPG21 53015050+D53019050C - 1235301	ARRÊT DU CABLE	CHOCK	KABELDURCHGANG
TAV.7	199	RTFOC00466	RELE FCV BF0910A230 LOVATO	RELAIS	RELAY	RELAIS
TAV.7	181	182501	CRUSCOTTO FCE108	PANNEAU DE CONTRÔLE	CONTROL PANEL	STIRNBRETT
			GAS			
TAV.1	39	180896	FLANGIA SC.FUMI D.146	FLANGE	BRIDE	FLANSCH
TAV.2	61	RTFOC00277	CAMINO SUP.FGC100	CHEMINÉE	CHIMNEY	KAMIN
TAV.2	62	180704	GR.BASAMENTO F.GAS 68E/108/108E	ENSEMBLE BASE	TOGETHER BASE	ZUSAMMEN UNTERSEITE
TAV.3	73	180667	AS.CASS.+FACCIATA FGM108E/FGMD/FCG108	ENSEMBLE CAISSON F.EL.	COOKING CHAMBER	KASTENGRUPPE ELEKTRO-BACKOFEN
TAV.3	75	PAFOC00122	DEVIATORE FUMI FGC100	FUMÉE DE DÉRIVATEUR	SHUNTER SMOKE	RANGIERER-RAUCH
TAV.3	76	RTFOC00770	PANNELLO IS.SUP.CAM.INT.FCG10	PANNEAU ISOLANT	INSULATING PANEL	DAMMPLATTE
TAV.3	77	PAFOC00422	COPERCHIO ISP.CAMINO FGC065	COUVERCLE D'INSPECTION	INSPECTION COVER	ABDECKUNG
TAV.3	78	RTFOC00761	PANNELLO IS.COP.ISPEZ.FGMD67	PANNEAU ISOLANT	INSULATING PANEL	DAMMPLATTE
TAV.3	79	RTFOC00769	PANNELLO IS.ANT.CAM.INT.FCG10	PANNEAU ISOLANT	INSULATING PANEL	DAMMPLATTE
TAV.3	80	GAFOC00190	AS.CAMINO INT.FGC100/1	ENSEMBLE DE CHEMINÉE	CHIMNEY ASSEMBLY	KAMINMONTAGE
TAV.3	81	PAFOC00726	SQ.FIS.PAN.IS.CAM.INT.FCG6	FIXATION	FIXING	FIXING
TAV.3	83	172233	LAM.FISSA CONV.ARIA FGM110L	FIXE FICHE DE CONVOYEUR AIR	FIXED SHEET FOR AIR CONVEYOR	FESTEN BLATT FUR LUFTFORDERER
TAV.4	105	182670	CONVOGLIATORE FGMD/FGM/FCG 108/E	CONVOYEUR AIR	AIR CONVEYOR	LUFTFÖRDERER
TAV.5	110	GAFOC00072	AS.CAMERA COMB.FGC100	CHAMBRE COMB.	COMB.CHAMB.	BRENNKAMM.
TAV.5	111	PAFOC00103	SQ.FIS.BRUC.FGC060	ÉGUERRE FIXAGE BRÛLEUR	BRACKET TO FIX BURNER	BRENNERHALTEWINKEL
TAV.5	112	PAFOC00123	COPERCHIO CAM.COMB.	COUVERCLE	COVER	BECKENABDECKUNG
TAV.5	115	PAFOC00552	PROTEZ.TU.SCAMB.FGC100/1	ECHANGEUR DE PROTECTION	EXCHANGER PROTECTION	EXCHANGER SCHUTZ
TAV.5	116	RTFOC00516	TU.PROTEZ.SCAMB.FGC100/1	PROTECTION DE TUBE	TUBE PROTECTION	SCHLAUCH-SCHUTZ

SERIE 108 CONVO

TAV.5	117	PAFOC00565	FLANGIA FIS.TU.PROT.SCAMB.FCV2	BRIDE	FLANGE	FLANSCH
TAV.5	118	PAFOC00554	DEFLETTORE BRUC.FGC100/1	CHICANE BURNER	BAFFLE PLATE	HINTERES STAUBLECH
TAV.5	120	GAFOC00073	AS.BRUC.FGC100	BRÛL.	BURNER	BRENNER
TAV.5	XXX		INIETTORI VEDI MANUALE UGELLI	INJECTEURS VOIR MANUEL D'UTILISATION	GAS NOZZLE SEE INJECTORS MANUAL	INJEKTOREN SEHEN DUESEN-ANLEITUNGEN
TAV.5	121	RTCP800012	SUPPORTO INIET.1/2"BRUC.GBR	SUPPORT INJECTEUR	SUPPORT INJECTOR	HALTERUNG EINSPRITZER
TAV.5	122	RTBF800137	BICONO D.14	BICÔNE D.14	BICONE, D.14	ZWEIKEGEL D.14
TAV.5	123	RTBF800015	CALOTTA D.14	ECROU LAITON D.14	NUT, Br.D.14	MUTTER, MESS. D.14
TAV.5	124	RTFOC00095	CORPO V.FGC060	CORPS SOUP.FGM	VALVE HOUS. HOUS., FGM	VENTILGEH. FGM
TAV.5	125	RTBF800140	GOMITO COMP.OT.D.14 01091421	COUDE	ELBOW	ELLBOGEN
TAV.5	129	182476	AS.RAMPA FGC68/108	RAMPE DU GAZ	RAMP GAS	RAMPE GAS
TAV.5	130	RTFOC00100	GUARNIZ.AS.RAMPA FGC060	JOINT TUYAU PRINCIPAL FGC060	GASKET, MAIN PIPE FGC060	DICHTUNG, RAMPE FGC060
TAV.5	131	182606	TU.AL.BRUC.FCG108	TUYAU D'ALIMENTATION DU BRÛLEUR	BURNER CHAMBER PIPE	ROHR KAMMER
TAV.5	220	RTCP800034	CORPO PIL.	VEILLEUSE	PILOT BODY	PILOTBRENNER
TAV.5	221	RTCP800033	CAND.ROT.	BOUGIE OXIDE RONDO	SPARK PLUG	ZÜNDKERZE
TAV.5	222	176470	GR.T/COPPIA 100 GBR I/B	THERMOCOUPLE INT/BIF	THERMOELEMENT INT/BIF	THERMOELEMENT
TAV.5	223	RTCU800183	BICONO D.6	BICONE D.6	DOUBLE CONE D.6	DOPPELKONUS D.6
TAV.5	224	RTCU900215	RACCORDO CAND.PIL.	RACCORD BOUGIE D'ALLUMAGE	UNION SPARK PLUG	ANSCHLUSS ZÜNDKERZE
TAV.5	225	RTCU700005	CAVO ACC.F.	CABLE D'ALLUMAGE	CABLE FOR PIEZO LIGHTING	KABEL ANZ ÜNDER
TAV.5	XXX		INIETTORI VEDI MANUALE UGELLI	INJECTEURS VOIR MANUEL D'UTILISATION	GAS NOZZLE SEE INJECTORS MANUAL	INJEKTOREN SEHEN DUESEN-ANLEITUNGEN
TAV.5	227	RTCU800182	CALOTTA AC.D.6	CALOTTE D.6	CAP D.6	MUTTER D.6
TAV.5	228	RTFOC00491	TU.PILOTA BRUC.	INJECTEUR BRÛLEUR PILOTBRENNER	BURNERPIPE	ROHR PILOTBRENNER
TAV.6	169	RTBF800139	F/CAVOPG13 170673+171560	CHAUMARD	CHOCK	KABELDURCHGANG
TAV.6	170	180779	VISORE POLICARB.,TRASP.	AFFICHAGE	DISPLAY	ANZEIGE
TAV.7	209	164608	RELE EF8B BG1201A230 LOVATO (164608)	RELAIS	RELAY	RELAIS
TAV.7	229	RTFOC00391	PROLUNGA VALV.GRIGIA L=86 1529770	RALLONGE VALVE	VALVE EXTENSION	VERLÄNGERUNG VENTIL
TAV.7	180	180920	CRUSCOTTO FCG108	PANNEAU DE CONTRÔLE	CONTROL PANEL	STIRNBRETT
TAV.7	230	182436	MASCHER.CRUS.FCG108	MASQUE TABLEAU	COVER DASH BOARD	ABDECKUNGSTIRNBRETT
			PARTI COMUNI			
TAV.1	1	180694	GR.PORTA SX COMPL.F.108	PORTE FOUR	DOOR, OVEN	TÜR, OFEN
TAV.1	2	180712	GR.CRISTALLO EST.P.F.108 MBM	CRISTAL EXT.P.F.	CRYSTALL GLASS, OUT FOR OV.	KRISTALLGLAS, AUSS. FÜR OF.REIHE

SERIE 108 CONVO

TAV.1	3	180690	CERN.INF.SX P.F.SERIE8	CHARNIÈRE INFÉRIEUR GAUCHE PORTE DU F	HINGE PIN INFER.LEFT	MINDERWERTIGES SCHARNIER
TAV.1	4	182667	BLOCCO INF.PORTA F.SERIE8 MICROFUS.	BLOC CHARNIÈRE	BLOCK HINGE	BLOCK SCHARNIER
TAV.1	5	180917	AS.MONTANTE SX P.F.SX 108 MBM	ENSEMBLE DE MONTANT	UPRIGHT ASSEMBLY	UPRIGHT MONTAGE
TAV.1	6	180914	AS.CERNIERA SX VETRO INT.INF.F.SERIE8	CHARNIERE VERRE INF. F.	HINGE, GLASS F.	SCHARNIER, GLAS F.
TAV.1	7	180708	AS.TRAVERSA P.F.108	CROSS	CROSS	CROSS
TAV.1	8	180818	GOMMINO PORTA FORNO	CAPSULE EN CAOUTCH. PORTE FOUR	RUBBER BUFFER, OVEN DOOR	GUMMIPUFFER, OFENTÜR
TAV.1	9	180697	MONTANTE DX P.F.SX 108 MBM	MONTANT	UPRIGHT	UPRIGHT
TAV.1	10	180699	MANIGLIA P.F.SERIE8 - 6333-02.0020	POIGNÉE	HANDLE	HANDLE
TAV.1	11	180698	COPERTURA MANIGLIA P.F.SERIE8	POIGNÉE DU COUVERCLE	HANDLE COVER	GRIFFSCHALE
TAV.1	12	180578	MOLLETTA BLOC.VETRO INT.F.SERIE8	FIXATION	FIXING	FIXING
TAV.1	13	180705	AS.CERNIERA SX VETRO INT.SUP.F.SERIE8	CHARNIERE VERRE SUP. F.	HINGE, GLASS F.	SCHARNIER, GLAS F.
TAV.1	14	180687	AS.CERN.SUP.SX P.F.FCV.	CHARNIERE SUP.GAUCHE P.F.FCV.	HINGE, UPPER LH	SCHARNIER, OBEN LINKS
TAV.1	15	180663	SPESSORE CERNIERA SUP.SERIE8	ENTRETOISE	SPACER	SPACER
TAV.1	16	180713	GR.CRISTALLO INT.P.F.108 MBM	CRISTAL INT.P.F.	CRYSTALL GLASS, INS.FOR OV.	KRISTALLGLAS, INN.FÜR OF.REIHE
TAV.1	17	RTFOC00289	GUARNIZ.TERM.AB.VAP.FCV 0112	SEAL	SEAL	SEAL
TAV.1	18	180702	AS.CASSETTO INT.P.F.SX 108	BASSIN	TRAY	SCHUBLADE
TAV.1	20	180689	GUARNIZIONE FORNO P258-11 - SV387/A	SEAL	GASKET	SEAL
TAV.1	21	180668	AS.CASSETTO EST.F.S.68E/108E	BASSIN	TRAY	SCHUBLADE
TAV.1	22	161411	PROF.GUARNIZIONE CRUSC.FORNI	PROFIL JOINT PANN.FAÇ.FOURS	PROFILE, GASKET CONTROL PANEL OVENS	PROFIL, DICHTUNG OFENBEDIENTAFEL
TAV.1	23	175286	MICROINT.	MICRO-INTERRUPTEUR PORTE DU FOUR	MICRO OVEN DOOR	MIKRO OFENTÜR
TAV.1	24	180797	NASELLO 1 STADIO MANIGLIA P.F.SERIE8	SUPPORT DE CROCHET	CAVITY DOOR HOOK	GARRAUMTÜR HOOK
TAV.1	25	GAFOC00027	AS.C/FORO CASS.FCV/1	C/TROU TIROIR FCV/1	DRAWER HOLES FCV/1	LÖCHER, SCHUBFACH FCV/1
TAV.1	26	175127	FLANGIA P/TENUTA TUBO DI.58,5	DRAINAGE SORTI DE BRIDE	EXITED FLANGE DRAINAGE	HERAUSGENOMMENE FLANSCH-ENTWÄSSERUNG
TAV.1	27	PAFOC00680	DISCO INF.SCARICO COND.FEMD100	DISQUE INF.VIDANGE EAU DE COND.FEMD100	DISC, INF.SCARICO COND.FEMD100	SCHEIBE, UNT. KOND.ABLASS FEMD100
TAV.1	28	PAFOC00329	DISCO SC.COND.INOX FEC200	DRAIN DISC	DISC DRAIN	DISC DRAIN
TAV.1	29	RTFOC00476	ASTA TRAS.SC.COND.FEC060/1	BARRE TRANS.VID.EAU DE COND.	ROD, COND.DRAIN	STAB, KOND.ABL.
TAV.1	30	RTFOC00507	ASTA ANT.SCA.COND.FGC060/1	BARRE TRANS.VID.EAU DE COND.FEM109/1	ROD, COND.DRAIN FEM109/1	STAB, KOND.ABL. FEM109/1
TAV.1	31	170522	MANOP.COND.FCV.NERA SWEET 242211-C1	BOUTON	KNOB	DREHGRIFF
TAV.1	32	172827	PRESSACAVO PG9 GW52002 303-9304	ARRÊT DU CABLE	CHOCK	KABELDURCHGANG
TAV.1	33	171945	GRIGLIA LAT.FCVM/10G INOX	GRILLE LATÉRALE DU FOUR	OVEN LATERAL GRATE	OFENROST
TAV.1	34	172048	PERNO FINEC.P/TEGLIE LAT.10GN F.MBM	PIVOT	PIVOT	PIVOT

SERIE 108 CONVO

TAV.1	35	RTFOC00555	AT.GRIGLIA LAT.F.FCV	GRILL ATTAQUE	ATTACK GRILL	ATTACK GRILL
TAV.1	36	RTFOC00017	GRIGLIA F.FCV.1/1	GRILLE F.FCV.1/1	GRID, OVEN 1/1	ROST, OFEN 1/1
TAV.2	40	180590	FIANCO SX FEMD108	CÔTÉ GAUCHE	SIDEPANEL LEFT	SEITENTEIL LINKES
TAV.2	41	180589	FIANCO DX FEMD108	CÔTÉ DROITE	SIDEPANEL RIGHT	SEITENTEIL RECHTS
TAV.2	43	180780	AS.COP.FORNI 6/10 SERIE8	COUVERCLE EXT.	COVER EXT.	ABDECKUNG
TAV.2	44	180591	POSTERIORE FGM108	ARRIÈRE	POSTERIOUR	HINTEN
TAV.2	45	PAFOC00234	PROTEZ.CONV.CALORE FEM109	LA CHALEUR DE PROTECTION	PROTECTION HEAT	SCHUTZ-HITZE
TAV.2	46	RTFOC00254	VENT.CALORE FEM109	VENT.CHALEUR FEM109	FAN, HEAT. FEM109	LÜFTER, WÄRME FEM109
TAV.2	47	180911	COPRILANA DX FGMD/FEMD 108	PANNEAU COUVRE ISOLANT	INSULATING PANEL COVERING	ISOLIERMATERIALVERKLEIDUNG
TAV.2	48	180684	SUP.CASS.FORNO SERIE8	SUPPORT CAISSON	SUPPORT PANEL	UNTERSTÜTZUNG
TAV.2	50	180774	PREMILANA MOTORE FEM/FGM108	SUPPORT MOTEUR ISOLATION	MOTOR INSULATION SUPPORT	MOTORISOLATION SUPPORT
TAV.2	51	182812	PANNELLO IS.INF.FGMD/FEMD108	PANNEAU ISOLANT	INSULATING PANEL	DAMMPLATTE
TAV.2	52	GAFOC00188	AS.SUP.VENT.FGC100/1 ZINC.	VENT.FGC100/1 GALV.	SUPPORT, FAN FGC100/1 GALV.	HALTERUNG, GEBL. FGC100/1 VERZ.
TAV.2	53	RTFOC00301	ANELLO TENUTA ALB.MOT.FGC100	BAGUE D'ETANCHEITE ARBRE MOT.FGC100	RING, SEAL FOR DRIV.SHAFT FGC100	DICHTUNGSRING, ANTRIEBSWELLE FGC100
TAV.2	54	182811	PANELLO IS.LATERALE FGMD/FEMD108	PANNEAU ISOLANT	INSULATING PANEL	DAMMPLATTE
TAV.2	55	177058	P/LAMPADA F.MBM 230V - 77.708.U110.23	PORTE-LAMPE FCV 77737	LAMP-HOLDER FCV 77737	LAMPENFASSUNG FCV 77737
TAV.2	56	177059	LAMPADA F.MBM 40W 230V - H66840	LAMPE HALOGENE FCV 20W 12VCC	QUARTZ-IODINE LAMP FCV 20W 12VCC	HALOGENLAMPE FCV 20W 12VCC
TAV.2	57	RTFOC00201	VETRO P/LAMPADA FCV.	VERRE PORTE-LAMPE FCV.	GLASS, LAMP-HOLDER FCV.	GLAS, LAMPENFASSUNG FCV.
TAV.2	58	161283	GUARN.P/LAMP.FCV 77222 ROSSA	SEAL	GASKET	SEAL
TAV.2	59	RTFOC00382	CORNICE FIS.VETRO P/LAMP.FCV	CADRE FIX.VERRE PORTE-LAMPE FCV	FRAME, OV. LAMPHOLDER GLASS FCV	RAHMEN, BEF. GLAS LAMPENFASS. FCV
TAV.2	60	RTFOC00413	PIEDINO+T.FGC100	PIED	FOOT	FUSS
TAV.4	92	RTFOC00334	AT.RAPIDO K1610/TA16/C16X	FIX.RAPIDE K1610/TA16/C16X	CONN., FAST K1610/TA16/C16X	SCHNELLBEFESTIGUNG K1610/TA16/C16X
TAV.4	94	182605	AS.TUBO UMID.EST.FCG-FCE108	HUMIDIFIER	HUMIDIFICATEUR	BEFEUCHTER
TAV.4	95	RTFOC00517	GIRANTE VENT.10G D.270 P.R.	ROUE VENT.10G	IMPELLER, FAN 10G	LAUFRAD, LÜFTER 10G
TAV.4	97	161232	MOTORE VENT.10G+COND.	MOTEUR VENT.FGM110	MOTOR, FAN FGM110	MOTOR, LÜFTER FGM110
TAV.4	100	182603	RAMPA SC.COND.FCG/FCE108	RAMPE DU DÉCHARGEMENT CONDENSE	RAMP OUTLET COND.	DUNSTHAUBE
TAV.6	141	177060	TERM.LIMIT.	THERMOSTAT LIMITATEUR	THERMOSTAT LIMIT. OVEN	LIMIT THERMOSTAT
TAV.6	142	RTFOC00486	DADO FIS.T.L.FCV 0000615086	ECROU	NUT	NUT
TAV.6	143	RTFOC00485	GUARNIZ.FIS.T.L.FCV 631005	JOINT DE MONTAGE	MOUNTING GASKET	MONTAGEDICHTUNG
TAV.6	144	RTFOC00484	C/DADO FIS.T.L.FCV 270211	ECROU	NUT	NUT
TAV.6	162	RTFOC00022	ELETTROVALVOLA FCV.1V.207038	SOUPAPE	ELECTRIC VALVE	WASSERMAGNETVENTIL

SERIE 108 CONVO

TAV.6	163	PAFOC00707	SUPP.E/VALV. 1 V. FCV	SUPPORT	SUPPORT	HALTERUNG
TAV.6	164	172834	REGOLAT.E/VALV.FC.V.BIANCO 0,25L 1200520	REGULATEUR DE PORTÉE	FLOWREGULATOR	DURCHFLUSSMENGEN-REDUZIERER
TAV.7	182	182345	MASCHER.CRUS.FCE108	MASQUE TABLEAU	COVER DASH BOARD	ABDECKUNGSTIRNBRETT
TAV.7	183	RTCU800185	GUARNIZ.ASTA COMMUTATORE	GARNITURE	GASKET	DICHTUNG
TAV.7	184	170886	MANOP.COM.F.DRIVE SERIE FCB RAL7021	BOUTON	KNOB	KNOB
TAV.7	188	RTFOC00694	COMM.FC.V./1 4204400003	COMMUTATEUR	COMMUTATOR	KOMMUTATOR
TAV.7	190	176150	TIMER FCE/FGC 50HZ 230V	TIMER	TIMER	TIMER
TAV.7	191	RTFOC00698	*T.E.FCE6 T255°C 5519052897	THERMOSTAT ELECTRIQUE	ELECTRIC THERMOSTAT	ELEKTROTHERMOSTAT
TAV.7	192	RTFOC00387	*PULSANTE LUCE DOMINO GRIGIO 81463	BOUTON LUMIÈRE DU FOUR	PUSHBUTTON LIGHT OVEN	SCHALTER LICHT HERD
TAV.7	193	RTCU800066	REGOLAT.EN/240V FCV.5057071010	REGULATEUR DE ENERGIE	POWER REGULATOR	REGLER ENERGIE
TAV.7	195	RTFOC00700	*CONDENSATORE FCE10 UF16+CODOLO	CONDENSATEUR MOTEUR	CONDENSATOR MOTOR	KONDENSATOR MOTOR
TAV.7	198	182604	SUP.COMPONENTI EL.	SOUTIEN	SUPPORT	UNTERSTÜTZUNG
TAV.7	203	RTFOC00734	FUSIBILE CAPP A 8A 5X20/8A 537-0972	FUSE	FUSE	FUSE
TAV.7	204	RTFOC00048	P/FUSIBILE	FUSE	FUSE	FUSE
TAV.7	205	RTBF900045	MORSETT.12M-PA220TV 1-6+1-6 OK435-12FVCN	TERMINAL	TERMINAL	TERMINAL
TAV.7	231	RTCU900072	*LAMP.SP.GIALLA/250V/TBF013.SF6	LAMPE TÉMOIN JAUNE	YELLOW WARNING LAMP	GELBE KONTROLLEUCHTE

	= RICAMBI CONSIGLIATI	= PIÈCES DE RECHANGE RECOMMANDÉES	= RECOMMENDED SPARE PARTS	= EMPFOHLENE ERSATZTEILE
--	-----------------------	-----------------------------------	---------------------------	--------------------------

173764* VENDITA A METRO

VENTE A METRO

METRO SALES

METERWARE