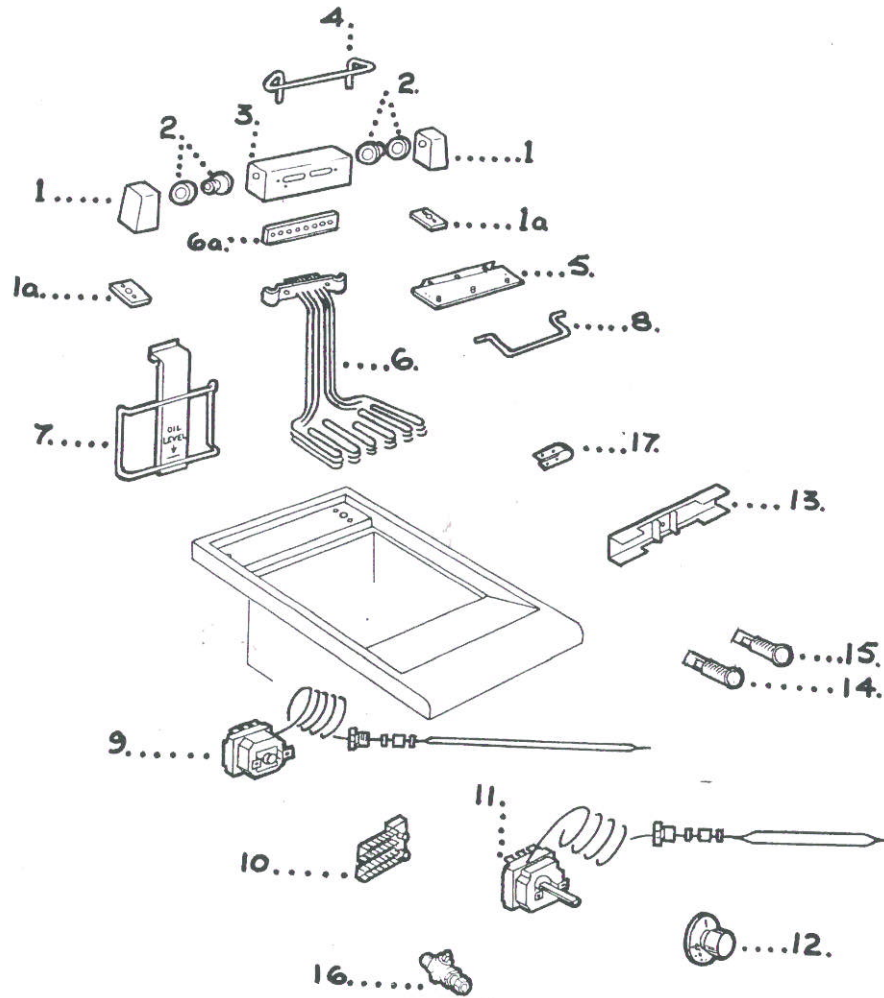


E350/36 Fryer - Body and Pan Fitments

| | | |
|-----|-----------|---|
| 1 | 539211030 | Flue rear trim |
| 2 | 539211040 | Flue Grid |
| 3 | 539211082 | Flue Front |
| 4 | 539210600 | Flue trim L.H |
| 5 | 539210620 | Hob Trim L.H |
| 6 | 539221310 | Pan & Hob Assembly (see Note 1 below) |
| 7 | 539210610 | Flue trim R. H |
| 8 | 539210630 | Hob Trim R. H. |
| 9 | 539211900 | Fish Plate |
| 10 | 539221380 | Dust cover assembly |
| 11 | 539211910 | Chip basket |
| 12 | 539211901 | Pan Strainer |
| 13 | 539211930 | Door hinge top |
| 14 | 539211880 | Door assembly |
| 15 | 539113240 | Magnetic door catch |
| 16 | 539212010 | Control Panel (see Note 2 below) |
| 17 | 539211940 | Door hinge Bottom |
| 18 | 539215110 | Leg c/w Adj. Foot |
| 19a | 539211850 | Outer Side Panel L.H (see note 2 below) |
| 19b | 539211860 | Outer Side Panel R. H. (see Note 2 below) |
| 20 | 539211880 | Door Assembly L.H. |

Note 1 Replacement Hob and Pan Assembly will be of the latest manufacture which may have differences from that being replaced. I.e. Appliances prior to 4/11/94 had thermostat phials through the front of the pan. In these instances, the latest thermostats and associated parts will be required to upgrade with the replacement hob and pan assembly.

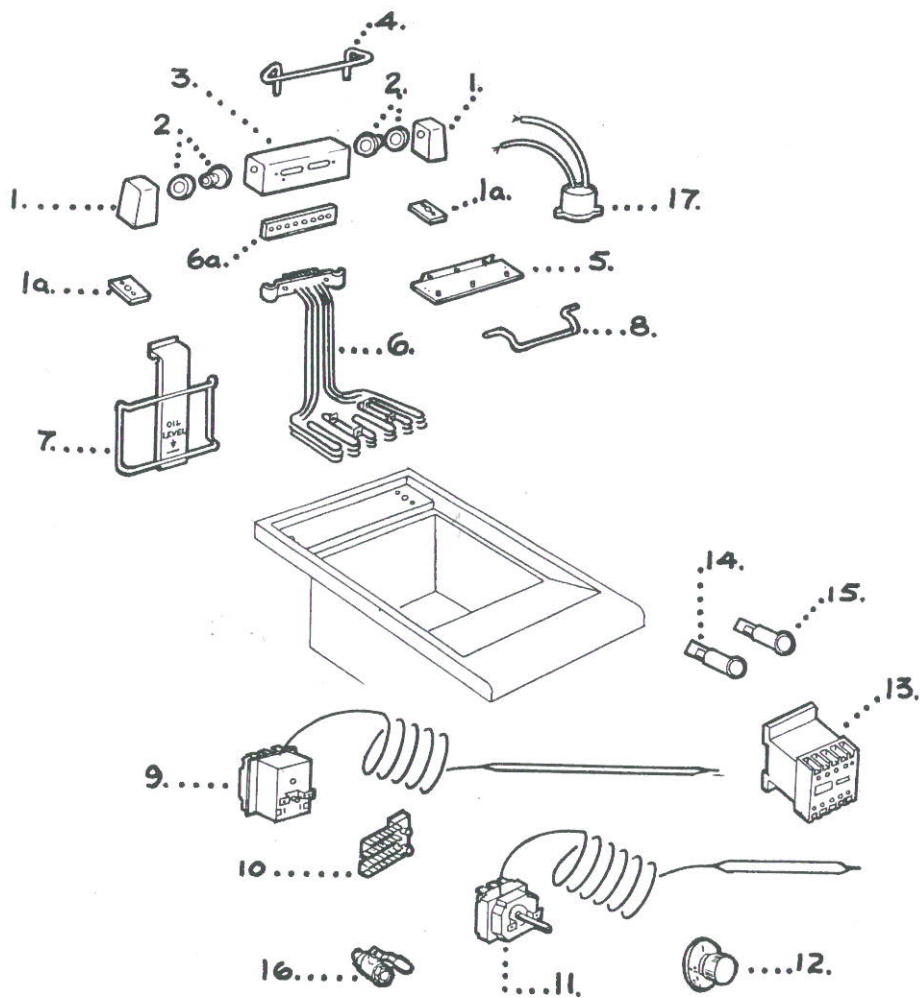
Note 2 Brown Vitreous Enamel parts and Brown Painted parts are no longer available and the later stainless steel equivalent part will be supplied in lieu.



E350/36 Fryer - Element & Control Fitments (pre 4/11/94)

| | | |
|-----|------------------|--|
| 1 | 539211780 | Element Support Pillar |
| 1a | 539113611 | Element Support Pillar Gasket |
| 2 | 539113262 | Hinge Bush and Lock Ring |
| 3 | 539211790 | Element Housing |
| 4 | 539211750 | Basket Hanger |
| 5 | 539211800 | Element Housing Base |
| 6 | 539113260 | Element 240v |
| | 539113261 | Element 220v |
| 6a | 539113265 | Element Gasket |
| 7 | 539212040 | Element Shield |
| 7a | 539213430 | Element Shield clamp |
| 8 | 539215430 | Tilt Bar |
| 9 | 539013200 | Safety Thermostat (pre 3/2/92) |
| 9a | 539215860 | Safety Thermostat (3/2/92-3/11/94) R464 |
| 10 | 539110470 | Terminal Block L1 & N |
| 10a | 539110471 | Terminal Block L2 & L3 |
| 11 | 539113215 | Operating Thermostat (pre 11/12/88) ✓ R272 |
| 11a | 539113210 | Operating Thermostat (12/12/88-2/2/92) R452 |
| 11b | 539113820 | Operating Thermostat (3/2/92- R548 |
| 12 | 539113220 | Control Knob |
| 13 | 539113209 | Phial Cover |
| 14 | 539110440 | Indicator Lamp (Red) |
| 15 | 539110430 | Indicator Lamp (Amber) |
| 16 | 539113250 | Drain Valve (See Note 1 below) |
| 17 | 539215780 | Phial Clip (3/12/92 to 3/11/94) |

Note 1 The earlier 1/2" drain valve is no longer available and the later 15mm bore valve will be supplied in lieu.



E350/36 Fryer - Element & Control Fitments (post 3/11/94)

| | | |
|-----|---------------------------------------|-------------------------------|
| 1 | 539211780 | Element Support Pillar |
| 1a | 539113611 | Element Support Pillar Gasket |
| 2 | 539113262 | Hinge Bush and Lock Ring |
| 3 | 539211790 | Element Housing |
| 4 | 539211750 | Basket Hanger |
| 5 | 539211800 | Element Housing Base |
| 6 | 539113261 539113610 | Element 240v |
| | 539113261 | Element 220v |
| 6a | 539113265 | Element Gasket |
| 7 | 539212040 | Element Shield |
| 7a | 539213430 | Element Shield clamp |
| 8 | 539215430 | Tilt Bar |
| 9 | 539113830 | Safety Thermostat |
| 10 | 539110470 | Terminal Block L1 & N |
| 10a | 539110471 | Terminal Block L2 & L3 |
| 11 | 539113820 | Operating Control Thermostat |
| 12 | 539113220 | Control Knob |
| 13 | 539221295 | Contactors (From 13/1/97) |
| 14 | 539110440 | Indicator Lamp (Red) |
| 15 | 539110430 | Indicator Lamp (Amber) |
| 16 | 539113272 | Drain Valve |
| 17 | 539221290 | Tilt Switch (From 13/1/97) |

R548

R548

T/STAT FITTED TO ELEMENT