

BAR-LINE

**SPARE PARTS LIST
CATALOGO RICAMBI
CATALOGUES PIÈCES DÉTACHÉES
ERSATZTEILENKATALOG**

20 - 30

40 - 50

65 - 90

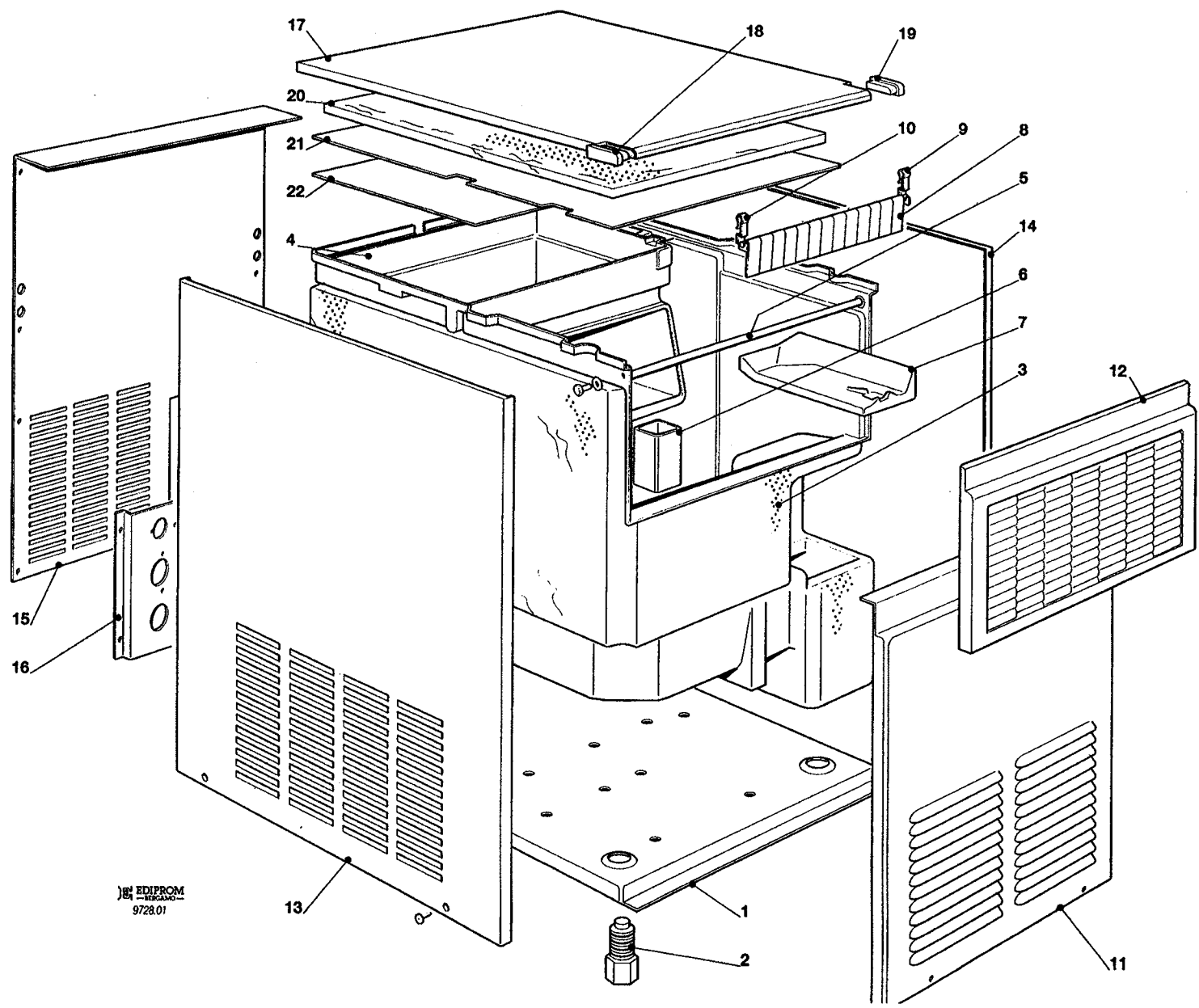
R 134 A

Cubers

**Fabbricatori
di ghiaccio a cubetti**

Machines á glaçons

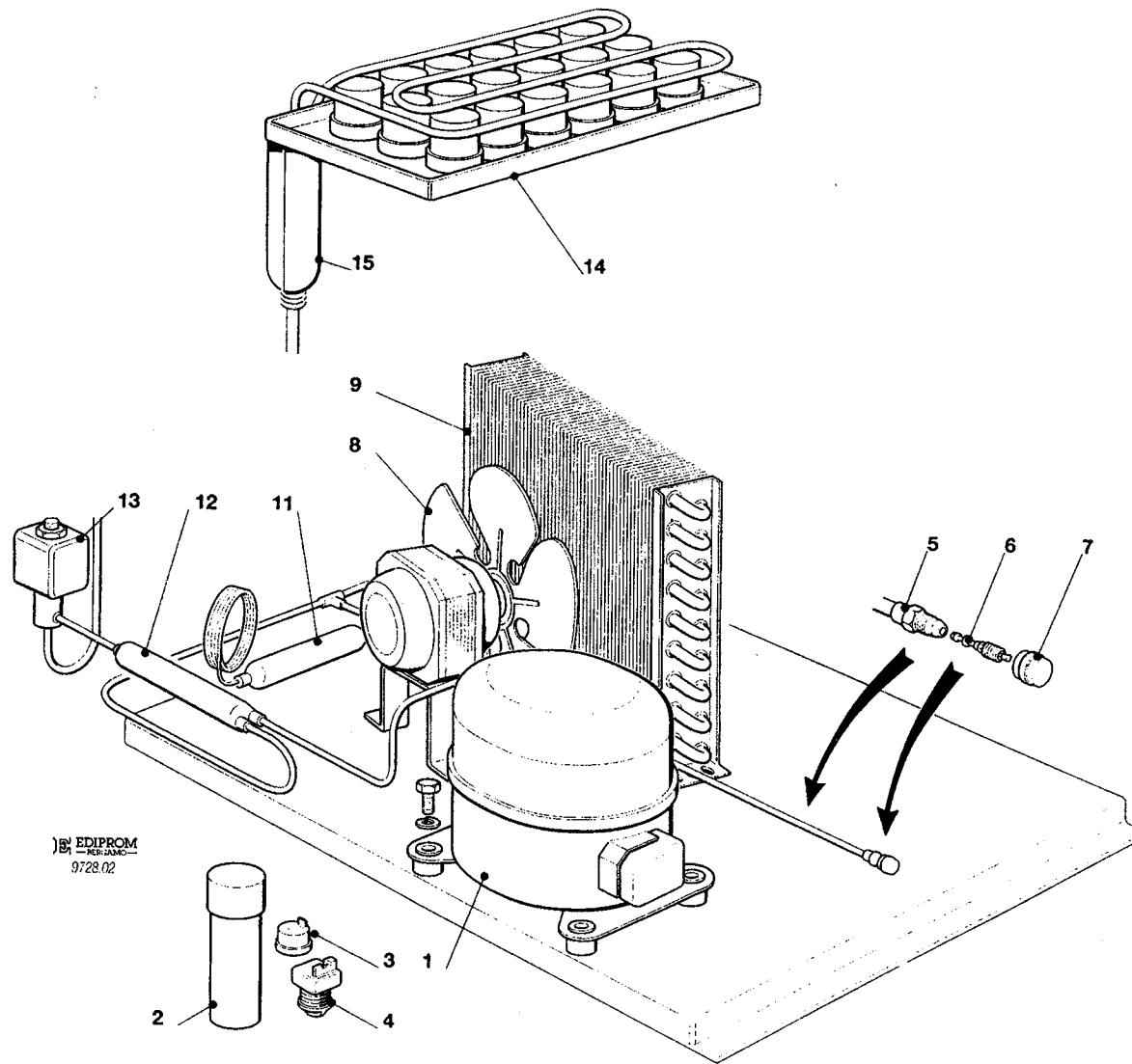
Kegeleisbereiter



EDIPROM
9728.01

20 - 30 - UNIT PANELS - ASSIEME MOBILE - ENS. CARROSSERIE - MACHINE GEHAUSE

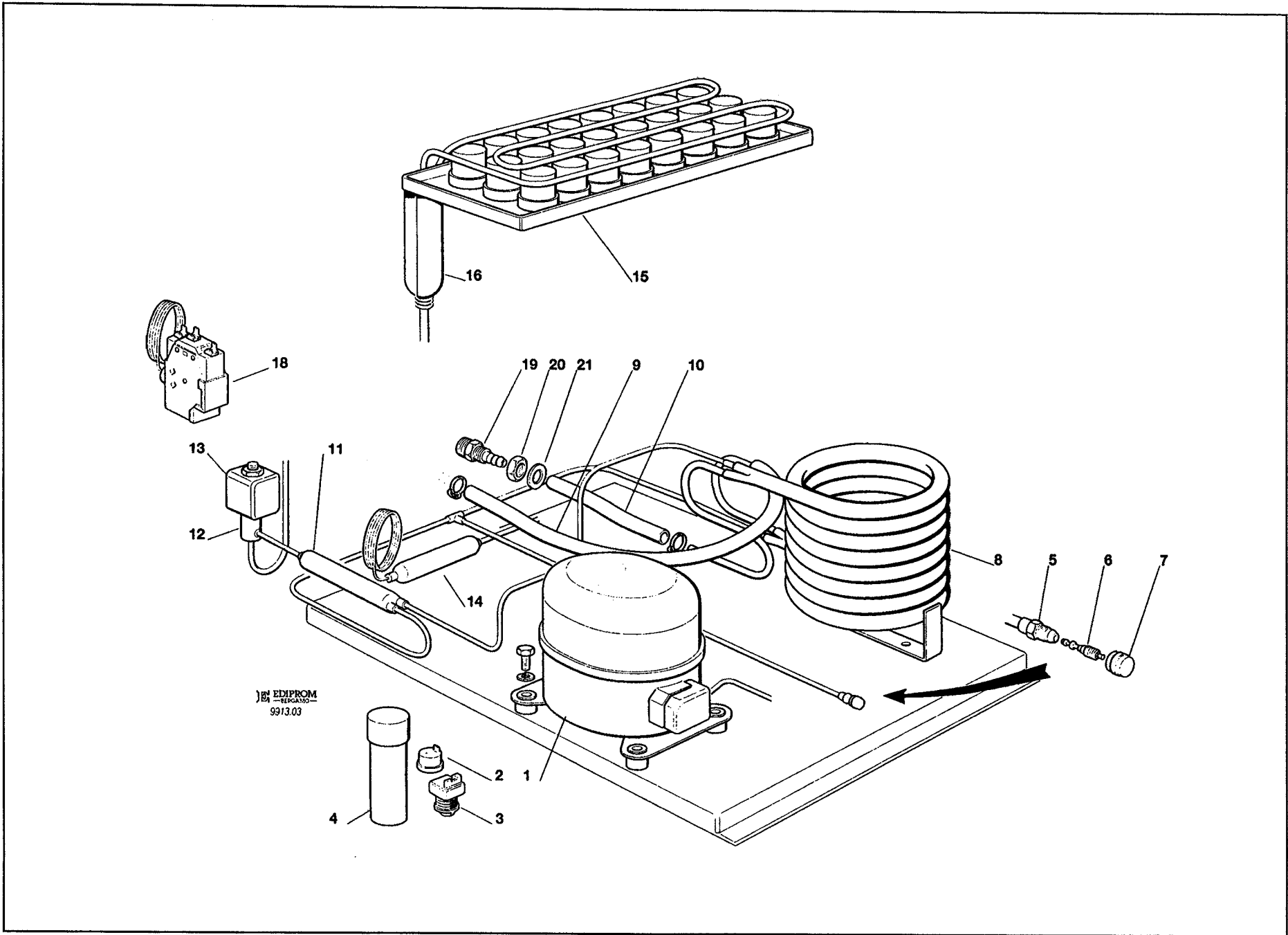
ITEM NO POS NO REP. NO REF. NO	PART NO CODICE REFERENCE STUECK NR		DESCRIPTION	DESCRIZIONE	DESIGNATION	BESCHREIBUNG
	20	30				
1	702184 00	702195 00	UNIT BASE	BASAMENTO	BASEMENT	CHASSIS RAHMEN
2	650382 01		LEGS	PIEDINI	PIEDS	FUESSE
3	782066 03	782064 04	INSULATED STORAGE BIN	CELLA ISOLATA	CABINE STOCKAGE ISOLEE	ISOLIEREISSPEICHER
4	660395 05	660395 03	EVAPORATOR HOUSING	INVOLUCRO EVAPORATORE	CUVE ÉVAPORATEUR	VERDAMPFER GEHÄUSE
5	732010 03	732016 03	DOOR BRACKET	SUPPORTO SPORTELLO	SUPPORTE PORTE CABINE	SPEICHERTUER STIFT
6	660436 00	743112 00	PLASTIC TUBE	TUNO IN PLASTICA	TUYAU	RHOR
7	660437 01	660391 00	SUMP COVER	COPRICANALINO	COUVERCLE RES. EAU	WASSERBECKEN DECKEL
8	784250 02R		CURTAIN ASSY	ASSIEME TENDINA	ENSAMBLE RIDEAU	JALOUSIE
9	660388 01		CURTAIN BRACKET RIGHT	SUPPORTO TENDINA DX	SUPPORT RIDEAU DROITE	JALOUSIETRAEGER RECHT
10	660388 00		CURTAIN BRACKET LEFT	SUPPORTO TENDINA SX	SUPPORT RIDEAU GAUCHE	JALOUSIETRAEGER - LINKE
11	721616 00	721621 00	FRONT PANEL	PANNELLO FRONTALE	PANNEAU AVANT	VORDERWAND
12	782079 00R	782079 05R	BIN DOOR ASSY	ASSIEME SPORTELLO	ENSAMBLE PORTE CABINE	SPEICHERTUER
13	721614 00	721622 00	LEFT SIDE PANEL	PANNELLO SX	PANNEAU GAUCHE	LINKE SEITENWAND
14	721615 00	721623 00	RIGHT SIDE PANEL	PANNELLO DX	PANNEAU DROITE	RECHTE SEITENWAND
15	702185 00	702193 00	REAR PANEL	PANNELLO POSTERIORE	PANNEAU ARRIERE	RUECKWAND
16	702180 00		METAL BRACKET FOR FITTINGS	SUPPORTO ATTACCHI	SUPPORT DE RACCORDS	METALLTRAEGER
17	781395 24	781395 26	TOP PANEL	PANNELLO SUPERIORE	PANNEAU SUPERIEURE	ABDECKHAUBE
18	660528 01		PLASTIC PLUG LEFT	TAPPO IN PLASTICA SX	CAPUCHON EN PLASTIQUE - GAUCHE	PLASTIKPROPFEN - LINK
19	660528 00		PLASTIC PLUG RIGHT	TUBO IN PLASTICA DX	CAPUCHON EN PLASTIQUE - DROITE	PLASTIKPROPFEN - RECHT
20	650236 19	650236 20	UPPER INSULATION	ISOLAMENTO SUPERIORE	ISOLATION SUPERIEUR	ISOLIERUNG
21	660539 00	660540 00	EVAPORATOR PLASTIC COVER	COPERCHIO IN PLASTICA	COUVERCLE ÉVAPORATEUR	VERDAMPFER DECKEL
22	742033 00	741074 00	EVAPORATOR COVER	COPERCHIO EVAPORATORE	COUVERCLE EVAPORATEUR	VERDAMPFERDECKEL
*	732017 04	732017 05	BULB HOLDER	PORTA BULBO	PORTEBULBE	FUEHLERHALTER
			* NOT SHOWN	* NON MOSTRATO	* PAS MONTRÉ	* NIGHT ABGEBILDET



EDIPROM
9728.02

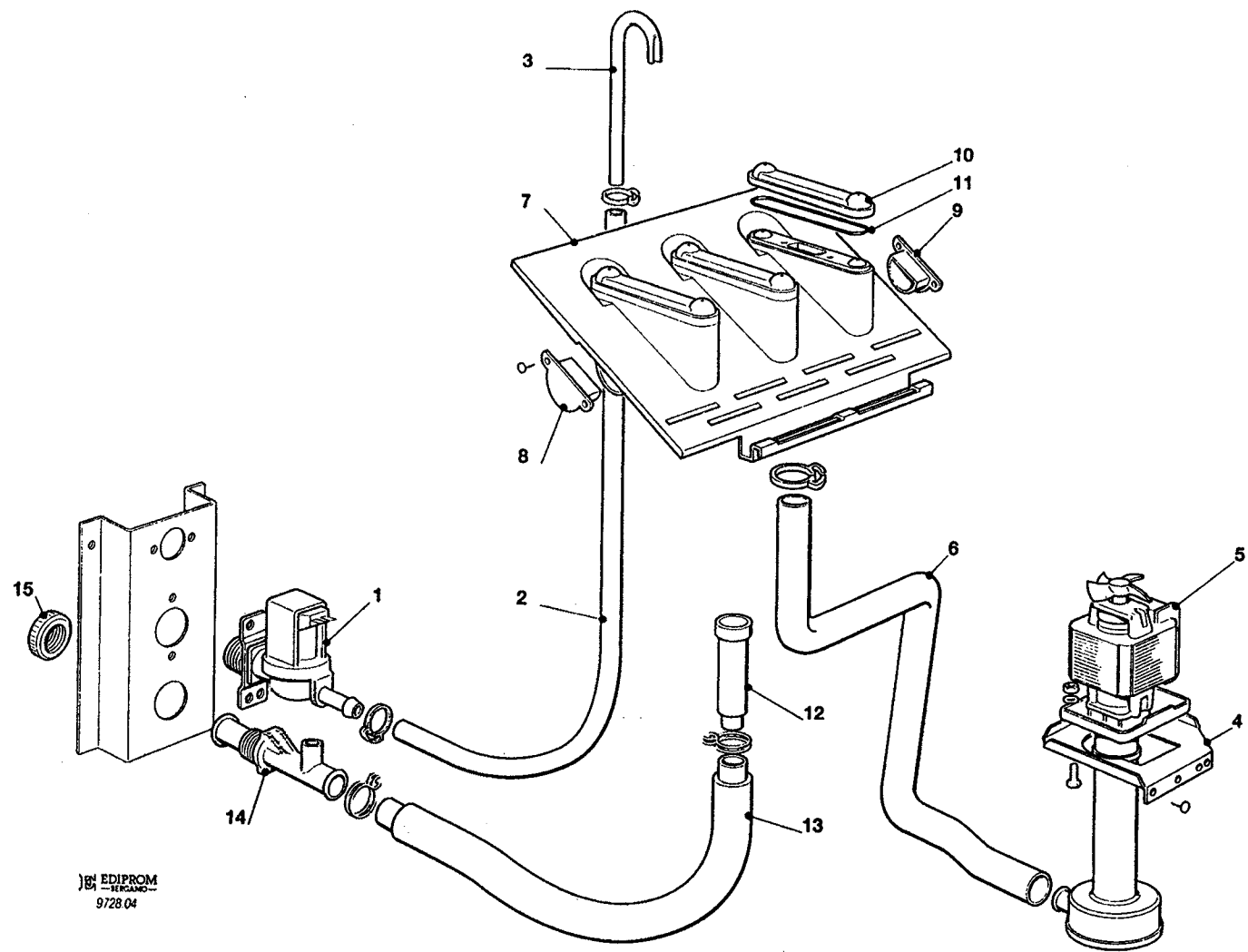
**20 - 30 - 40 - 50 - REFRIGERANT SYSTEM AIR COOLED - SISTEMA REFRIGERANTE RAFFR. AD ARIA
CIRCUIT FRIGORIFIQUE REFROID. PAR AIR - LUFTGEKÜHLT GEFRIERSYSTEM**

ITEM NO POS NO REP. NO REF. NO	PART. NO - CODICE REFERENCE - STUECK NR				DESCRIPTION	DESCRIZIONE	DESIGNATION	BESCHREIBUNG
	20	30	40	50				
1	670097 08 670066 08	670100 00 670101 01	670101 00 670101 02	670100 01	COMPRESSOR ASSY - 230/50/1 COMPRESSOR ASSY - 230/60/1	ASSIEME COMPRESSORE - 230/50/1 ASSIEME COMPRESSORE - 230/60/1	ENSAMBLE COMPRESSEUR - 230/50/1 ENSAMBLE COMPRESSEUR - 230/60/1	KOMPRESSOR - 230/50/1 KOMPRESSOR - 230/60/1
2	620167 29 620167 01	620167 29 620167 29	620167 01 620167 01	620167 29	START CAPACITOR - 230/50/1 START CAPACITOR - 230/60/1	CONDENSATORE D'AVVIAMENTO - 230/50/1 CONDENSATORE D'AVVIAMENTO - 230/60/1	CAPACITE DE DEMARRAGE - 230/50/1 CAPACITE DE DEMARRAGE - 230/60/1	START KONDENSATOR - 230/50/1 START KONDENSATOR - 230/60/1
3	620058 65 620058 74	620058 69 620058 86	620058 77 620058 80	620058 67	PROTECTOR - 230/50/1 PROTECTOR - 230/60/1	PROTETTORE - 230/50/1 PROTETTORE - 230/60/1	PROTECTEUR - 230/50/1 PROTECTEUR - 260/50/1	SCHUTZGERAT - 230/50/1 SCHUTZGERAT - 230/60/1
4	620057 35 620057 40	620057 31 620057 03	620057 42 620057 49	620057 56	RELAY - 230/50/1 RELAY - 230/60/1	RELE - 230/50/1 RELE - 230/60/1	RELAIS - 230/50/1 RELAIS - 230/60/1	RELAIS - 230/50/1 RELAIS - 230/60/1
5	650109 00				VALVE BODY	CORPO VALVOLA	CORPS DE VANNE	VENTILGEHAUSE
6	670012 00				VALVE PISTON	PISTONCINO VALVOLA	PISTON	VENTILKOLBEN
7	650106 00				VALVE CAP	CAPPUCCIO VALVOLA	CAPUCHON DE VANNE	VENTILKLAPPE
8	620419 32	620419 32	620419 33	620419 33	FAN MOTOR FAN BLADE	MOTORE VENTILATORE VENTOLA	MOTEUR DU VENTILATEUR HELICE	LUFTER MOTOR FLUEGEL
9	620276 02	620420 00	620439 00	620455 00	AIR COOLED CONDENSER	CONDENSATORE AD ARIA	CONDENSEUR A AIR	LUFT KONDENSATOR
11	630003 05				DRIER	FILTRO DEUMIFICATORE	FILTRE DESHYDRATEUR	TROCKNER
12	630007 01	630007 01	630020 01	630137 01	MECHANICAL FILTER	FILTRO MECCANICO	FILTRE MECANIQUE	MECHANISCHFILTERN
13	620306 22	620306 27 620306 48	620306 27	620306 27	HOT GAS VALVE BODY HOT GAS VALVE COIL	CORPO VALVOLA GAS CALDO BOBINA VALVOLA GAS CALDO	CORP VANNE GAZ CHAUD BOBINE VANNE GAZ CHAUD	HEISSGAZ VENTILGEHAUSE HEISSGAZ VENTIL SPULE
14	784195 04 784195 06	784256 00 784415 01	784256 01 784415 00	784477 02	EVAPORATOR ASSY - M EVAPORATOR ASSY - L	ASSIEME EVAPORATORE - M ASSIEME EVAPORATORE - L	ENSAMBLE EVAPORATEUR - M ENSAMBLE EVAPORATEUR - L	VERDAMPFER - M VERDAMPFER - L
15	784444 00	784444 01	784444 04	784444 10	SUCTION LINE/ACCUMULATOR	ACCUMUL. E LINEA ASPIRAZIONE	ENS. ASPIRATION/ACCUMULATEUR	SAMMLER UND SAUGLEITUNGEN



**20 - 30 - 40 - 50 - REFRIGERANT SYSTEM WATER COOLED - SISTEMA REFRIGERANTE RAFFR. AD ACQUA
CIRCUIT FRIGORIFIQUE REFROID. PAR EAU - WASSERGEKÜHLT GEFRIERSYSTEM**

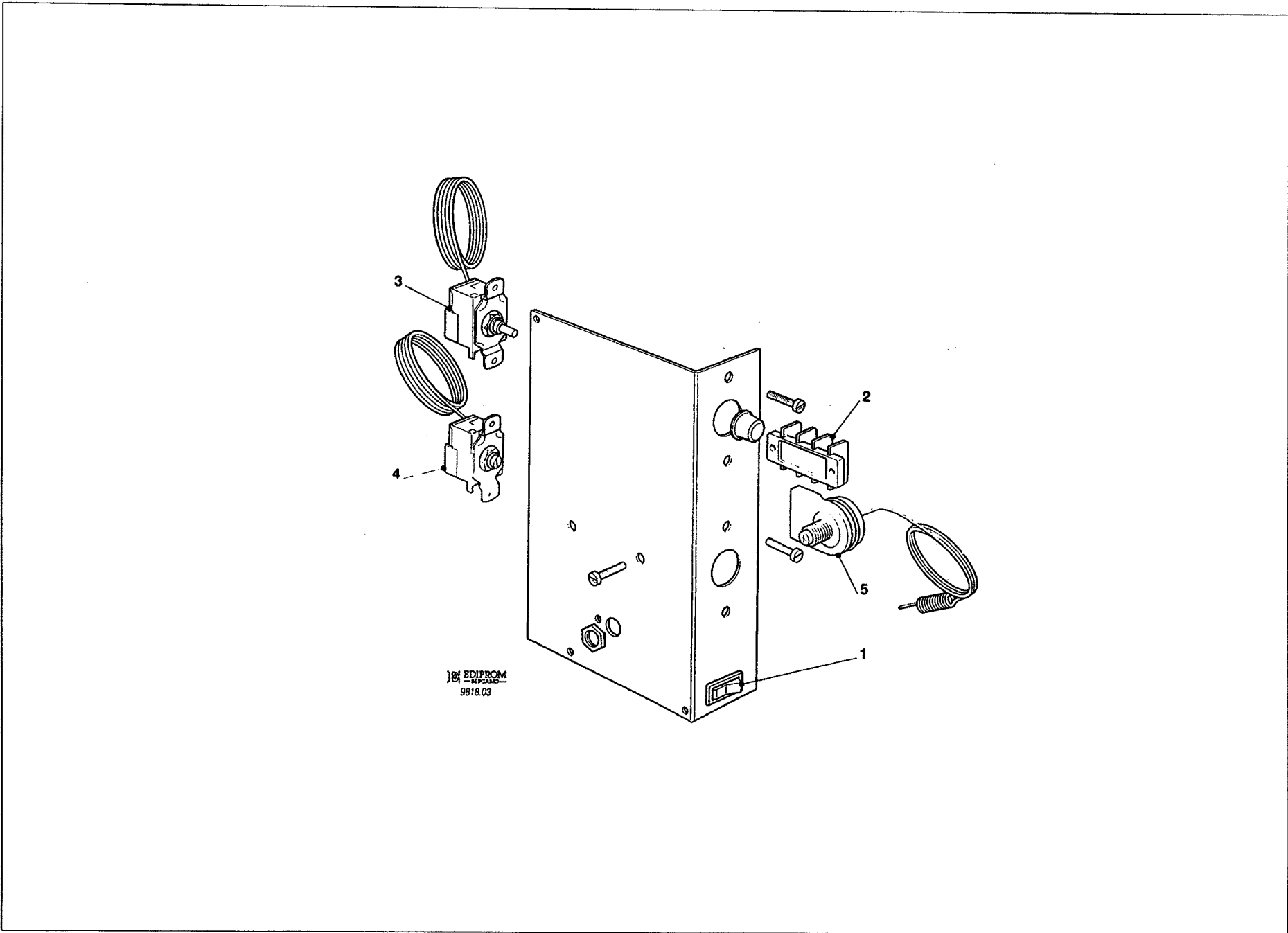
ITEM NO POS NO REP. NO REF. NO	PART. NO - CODICE REFERENCE - STUECK NR				DESCRIPTION	DESCRIZIONE	DESIGNATION	BESCHREIBUNG
	20	30	40	50				
1	670097 08 670066 08	670100 00 670101 01	670101 00 670101 02	670100 01	COMPRESSOR ASSY - 230/50/1 COMPRESSOR ASSY - 230/60/1	ASSIEME COMPRESSORE - 230/50/1 ASSIEME COMPRESSORE - 230/60/1	ENSAMBLE COMPRESSEUR - 230/50/1 ENSAMBLE COMPRESSEUR - 230/60/1	KOMPRESSOR - 230/50/1 KOMPRESSOR - 230/60/1
2	620058 65 620058 74	620058 69 620058 86	620058 77 620058 80	620058 67	PROTECTOR - 230/50/1 PROTECTOR - 230/60/1	PROTETTORE - 230/50/1 PROTETTORE - 230/60/1	PROTECTEUR - 230/50/1 PROTECTEUR - 230/60/1	SCHUTZGERAT - 230/50/1 SCHUTZGERAT - 230/60/1
3	620057 35 620057 40	620057 31 620057 03	620057 42 620057 49	620057 56	RELAY - 230/50/1 RELAY - 230/60/1	RELE - 230/50/1 RELE - 230/60/1	RELAIS - 230/50/1 RELAIS - 230/60/1	RELAIS - 230/50/1 RELAIS - 230/60/1
4	620167 29 620167 01	620167 29 620167 29	620167 01 620167 01	620167 29	START CAPACITOR - 230/50/1 START CAPACITOR - 230/60/1	CONDENSATORE D'AVVIAMENTO - 230/50/1 CONDENSATORE D'AVVIAMENTO - 230/60/1	CAPACITE DE DEMARRAGE - 230/50/1 CAPACITE DE DEMARRAGE - 230/60/1	START KONDENSATOR - 230/50/1 START KONDENSATOR - 230/60/1
5	650109 00				VALVE BODY	CORPO VALVOLA	CORPS DE VANNE	VENTILGEHAUSE
6	670012 00				VALVE PISTON	PISTONCINO VALVOLA	PISTON	VENTILKOLBEN
7	650106 00				VALVE CAP	CAPPUCCIO VALVOLA	CAPUCHON DE VANNE	VENTILKLAPPE
8	620389 00				WATER COOLED CONDENSER	CONDENSATORE AD ACQUA	CONDENSEUR A EAU	WASSER KONDENSATOR
9	281900 01				PLASTIC TUBE-PER METER	TUBO IN PLASTICA-PER METRO	TUYAU EN PLASTIQUE-POUR METER	PLASTIK ROHR-PRO METER
10	281900 01				PLASTIC TUBE-PER METER	TUBO IN PLASTICA-PER METRO	TUYAU EN PLASTIQUE-POUR METER	PLASTIK ROHR-PRO METER
11	630007 01	630007 01	630020 01	630137 01	MECHANICAL FILTER	FILTRO MECCANICO	FILTRE MECANIQUE	MECHANISCHFILTERN
12	620306 22	630306 27	620306 27	620306 27	HOT GAS VALVE BODY	CORPO VALVOLA GAS CALDO	CORP VANNE GAZ CHAUD	HEISSGAZ VENTIL GEHAUSE
13	620306 48				HOT GAS VALVE COIL	BOBINA VALVOLA GAS CALDO	BOBINE VANNE GAZ CHAUD	HEISSGAZ VENTIL SPULE
14	630003 05				DRIER	FILTRO DEUMIDIFICATORE	FILTRE DESHYDRATEUR	TROCKNER
15	784195 04 784195 06	784256 00 784415 01	784256 01 784415 00	784427 02	EVAPORATOR ASSY - M EVAPORATOR ASSY - L	ASSIEME EVAPORATORE - M ASSIEME EVAPORATORE - L	ENSAMBLE EVAPORATEUR - M ENSAMBLE EVAPORATEUR - L	VERDAMPFER - M VERDAMPFER - L
16	784444 00	784444 01	784444 04	784444 10	SUCTION LINE/ACCUMULATOR	ACCUMUL. E LINEA ASPIRAZIONE	ENS. ASPIRATION/ACCUMULATEUR	W SAMMLER UND SAUGLEITUNGEN
18	620075 00				PRESSURE CONTROL	PRESSOSTATO	PRESSOSTAT	PRESSOSTAT
19	660291 00				3/4 GAS WATER DRAIN FITTING	SCARICO ACQUA 3/4 GAS	RACCORD EVACUATION 3/4 GAS	3/4 GAS SCHLAUCH
20	400030 01				NUT	DADO	ECROU	MUTTER
21	400031 00				FIBER WASHER	RONDELLA	RONDELLE EN FIBRE	FIBER SCHEIBE



EDIPROM
BERGAMO
9728 04

20 - 30 - WATER SYSTEM - CIRCUITO IDRAULICO - CIRCUIT HYDRAULIQUE - WASSERSYSTEM

ITEM NO POS NO REP. NO REF. NO	PART NO CODICE REFERENCE STUECK NR		DESCRIPTION	DESCRIZIONE	DESIGNATION	BESCHREIBUNG
	20	30				
1	650105 50 650105 51		WATER INLET VALVE - AIR COOLED WATER INLET VALVE - WATER COOLED	VALVOLA INGR. ACQUA - RAFF. ARIA VALVOLA INGR. ACQUA - RAFF. ACQUA	VANNE ARRIVEE EAU - REFR. AIR VANNE ARRIVEE EAU - REFR. EAU	WASSEREINLAUFVENTIL - LUFTGEKÜHLT WASSEREINLAUFVENTIL - WASSERGEKÜHLT
2	281900 01		WATER INLET TUBE-PER METER	TUBO INGRESSO ACQUA-PER METRO	TUYAU ARRIVEE EAU-POUR METRE	WASSEREINLAUFROHR-PRO METER
3	NO NBR		COPPER TUBE	TUBO RAME	TUYAU EN CUIVRE	COPPERHOR
4	723079 02		METAL BRACKET	SUPPORTO IN METALLO	SUPPORT METALLIQUE	METALLTRAEGER
5	620433 00 620433 01		WATER PUMP ASSY - 230/50/1 WATER PUMP ASSY - 230/60/1	ASSIEME POMPA - 230/50/1 ASSIEME POMPA - 230/60/1	ENSAMBLE POMPE A EAU - 230/50/1 ENSAMBLE POMPE A EAU - 230/60/1	WASSER PUMPE - 230/50/1 WASSER PUMPE - 230/60/1
6	610160 00	610150 02	WATER TUBE - PUMP TO SPRAY SYSTEM	TUBO MANDATA POMPA	TUYAU POMPE PLAQUE D'ARROSAGE	SCHLAUCH PUMPE - SPRUHSYSTEME
7	793129 01		SPRAY PLATEN ASSY	ASSIEME SPRUZZATORE	ENS. PLAQUE PULVERISATION EAU	SPRUHSYSTEM EINHEIT
8	660520 03		PLASTIC PLUG	TAPPO IN PLASTICA	BOUCHON EN PLASTIQUE	PLASTIKVERSTOPFEN
9	660520 02		PLASTIC PLUG	TAPPO IN PLASTICA	BOUCHON EN PLASTIQUE	PLASTIKVERSTOPFEN
10	660519 01		PLASTIC COVER	COPERCHIO IN PLASTICA	COUVERCLE EN PLASTIQUE	PLASTIKDECKEL
11	640041 20		O RING	GUARNIZIONE O R	JOINT TORIQUE	SIMMER RING
12	660387 05	660387 04	OVERFLOW STAND PIPE	TUBO TROPPO PIENO	TROP PLEIN	UEBERLAUFROHR
13	610148 10		DRAIN TUBE	TUBO SCARICO	TUYAU EVACUATION	ABFLUSSROHR
14	660224 00		DRAIN T FITTING	RACCORDO DI SCARICO	RACCORD T D'EVACUATION	T STÜCK
15	660535 00		PLASTIC RING NUT	GHIERA IN PLASTICA	COLLIER DE SERRAGE EN PLASTIQUE	PLASTIKRING MUTTER



20 - 30 - 40 - CONTROL BOX - SCATOLA DI CONTROLLO - BOITE ELECTRIQUE - SCHALTSCHRANK

ITEM NO POS NO REP. NO REF. NO	PART NO CODICE REFERENCE STUECK NR	DESCRIPTION	DESCRIZIONE	DESIGNATION	BESCHREIBUNG
1	620442 01	SWITCH	INTERRUTTORE	INTERRUPTEUR	SCHALTER
2	630114 01	TERMINAL BOARD	MORSETTIERA	BORNIER	KLAMMERNSPLETTE
3	620264 11	EVAPORATOR THERMOSTAT	TERMOSTATO EVAPORATORE	THERMOSTAT EVAPORATEUR	VERDAMPFER THERMOSTAT
4	620209 00	BIN THERMOSTAT	TERMOSTATO CONTENITORE	THERMOSTAT CONTENEUR	BEHÄLTER THERMOSTAT
5	620443 00	THERMOSTAT - SAFETY	TERMOSTATO DI SICUREZZA	THERMOSTAT DE SECURITÉ	SICHERHEITSTHERMOSTAT