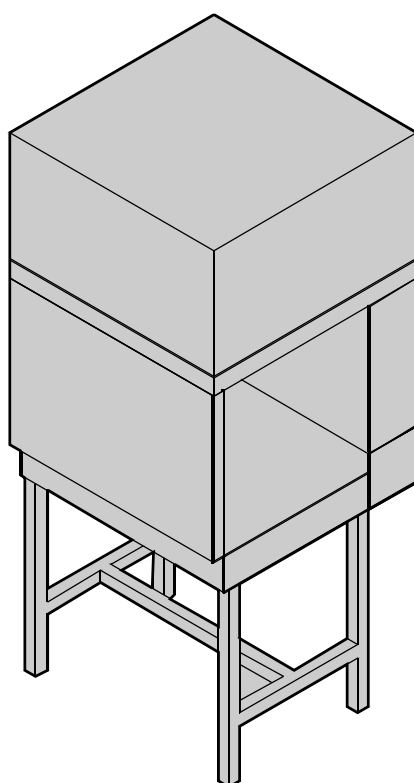


RACK CONVEYOR MACHINE

ELECTROMECHANICAL SWITCHES

TYPE: 974

Spare parts Manual



INFORMAZIONI GENERALI

Questo catalogo serve per richiedere con esattezza le parti di ricambio

Nelle ordinazioni indicare:

1) il numero dei codici dei particolari seguito dalla descrizione e la quantità desiderata;

2) Il codice alfa-numerico presente nella seconda colonna della tabella ;

I disegni delle parti di ricambio sono solo indicativi e non rappresentano il pezzo in oggetto.

I dati contenuti in questo catalogo sono indicativi e possono essere soggetti a modifiche senza impegno di preavviso.

ALLGEMEINE INFORMATIONEN

Dieser Ersatzteilkatalog dient zur genauen Angabe der Teile bei Ersatzteilbestellungen.

Bei Ersatzbestellung ist folgendes anzugeben:

1) Die Bestellnummer der Ersatzteile mit der entsprechenden Beschreibung genaue Menge;

2) Der alpha-numerischer Code auf der zweiten Reihe in dein Spclud;

Die Zeichnungen der Ersatzteile sind nur als Hinweise gedacht und stellen nicht das betroffene Teil dar.

Bei den im Katalog angeführten Daten handelt es sich um Anhaltsdaten, die jederzeit, ohne Vorankündigung, geändert werden können.

GENERAL INFORMATION

The present spare parts order exactly the right spare parts

When ordering specify:

1) the part's code number followed by its description and quantity needed;

2) The alpha-numeric code is in the second column in the chart;

Spare parts drawings are general and do not represent the part.

The contents of this catalogue are general and can undergo changes without prior notice.

INFORMACIONES GENERALES

El presente catálogo sirve para pedir con exactitud las partes de repuesto

En los pedidos se debe indicar:

1) el número de código de la parte y a continuación la descripción cantidad deseada;

2) El código alfanumerico presente en la segnada columna de la tabla;

Los diseños de las partes de recambio son solo indicativos y no representan la pieza en cuestión.

Los datos contenidos en el presente catálogo son indicativos y pueden modificarse sin aviso previo.

INFORMATIONS GENERALES

Ce catalogue permet de commander correctement les pièces détachées

Les commandes doivent être passées en indiquant:

1) le numero de code des pièces détachées suivi de leur description quantité désirée;

2) le code alphanumérique dans la deuxième colonne du tableau;

Les plans des pièces détachées sont fournis seulement à titre indicatif et ne représentent pas la pièce concernée.

Les données de ce catalogue sont citées seulement à titre indicatif et peuvent être l'objet de modifications sans avis préalable.

ESEMPIO
EXAMPLE
EXEMPLE
BEISPIEL

Rif.	Codici
MODULE:Particolari	
10505	540903
10510	540908
10515	15065/A
10520	540086
10525	540028

Note

Tutte le informazioni riportate si intendono aggiornate alla data di stampa. Il Produttore si riserva il diritto di apportare qualsiasi modifica richiesta dallo sviluppo evolutivo dei suddetti prodotti.

Per la sicurezza, la garanzia, l'affidabilità ed il valore della lavastoviglie usa solo ricambi originali. **Per alcuni codici, sono richieste quantità minime d'ordine.**

Attenzione

Questo libretto è parte integrante della lavastoviglie e, in caso di passaggio di proprietà, deve essere consegnato al nuovo acquirente.

Remarque

Toutes les informations contenues dans ce manuel s'entendent mises à jour à la date d'impression. En raison du développement constant de ses produits, usine se réserve le droit d'apporter à tout instant les modifications qu'elle jugera utiles.

Pour la sécurité, la garantie, la fiabilité et la valeur de votre lavevaisselles n'utilisez que des pièces de rechange d'origine. **Pour quelque référence on demande un minimum de pièces par commande**

Attention

Ce manuel doit être considéré comme partie intégrante de la la lavevaisselles, en cas de transfert de propriété, doit toujours être remis au nouveau propriétaire.

Note

The information contained herein is valid at the time of going to print. The Company reserves the right to make any changes required by the future development of the above-mentioned products.

For your safety, as well as to preserve the warranty reliability and worth of your dishwashers, use original spare parts only. **For some codes a minimum quantity for order is required.**

Warning

This manual forms an integral part of the dishwashers and - if a transfer of title occurs - must always be handed over to the new owner.

Hinweis

Die Der Hersteller behält sich das Recht vor, jegliche, durch eine Weiterentwicklung der genannten Produkte bedingte Änderungen vornehmen zu können.

Verwenden Sie für Ihre Sicherheit, die Garantie, die Zuverlässigkeit und den Wert Ihrer machine originale Ersatzteile. **Für bestimmte Code nummer werden mindesten bestellungen verlangt.**

Achtung

Diese Betriebsanleitung ist Bestandteile des machine und muss bei seinem Weiterverkauf dem neuen Besitzer ausgehändigt werden.



Code 999XYYYY

Model DESCRIPTION

S/N 04012345 **Type**

CL/Part



400VAC3N	50HZ		8A
3500W			500W
			16A

IPX3

200-500

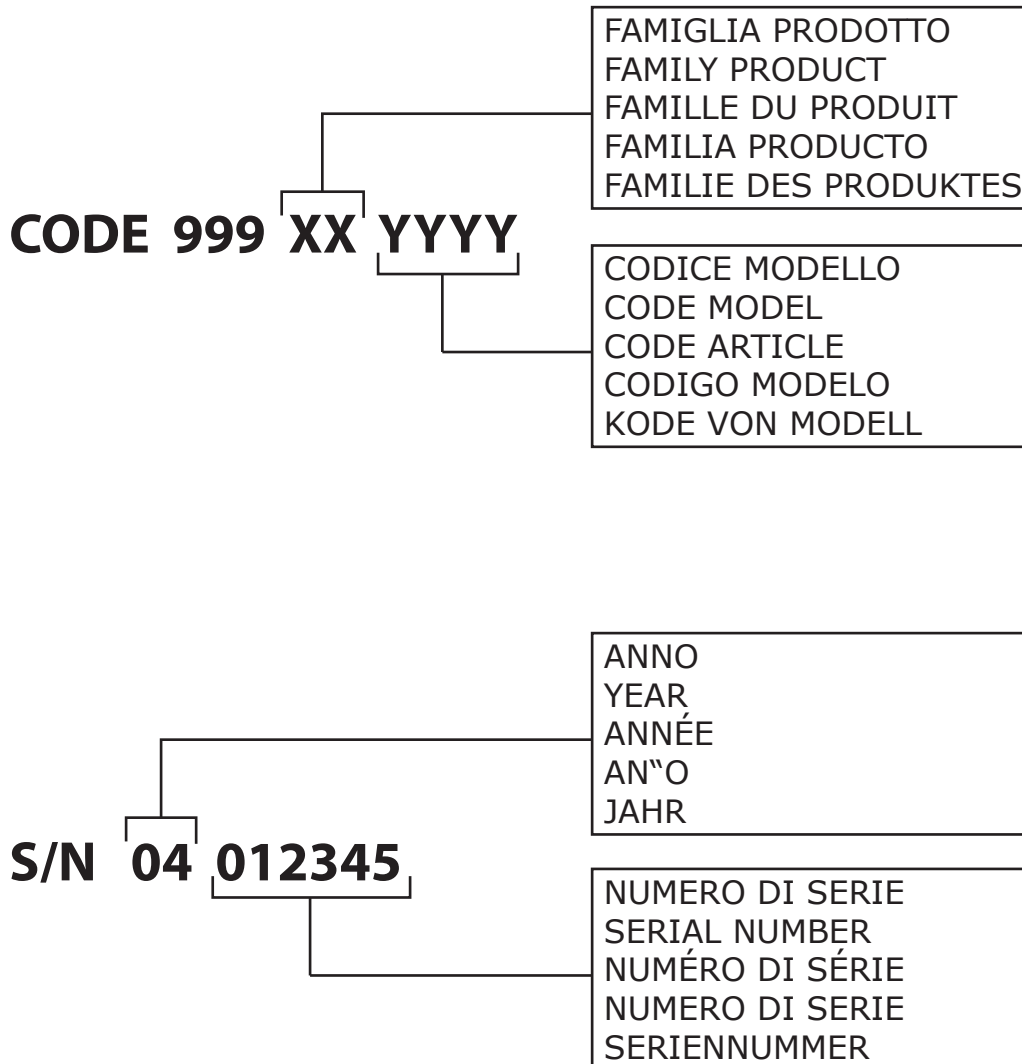
TECHICAL SPECIFICATION

MADE IN ITALY

<p>Pressione Dinamica alimentazione idrica</p> <p>Pression dynamique arriveè d'eau</p> <p>Dynamic pressure water supply</p> <p>Dymanischer Druck asserreinlauf</p>	<p>Temperatura massima acqua in ingresso 60°C</p> <p>Temperature max eau a l'entre</p> <p>Maximale Temperatur Wasseranschluß</p> <p>Maximum Water temperature in-feeding</p>
--	---

Model 

S/N 



1. Spare parts

Time relay	7
Dryer LC90/2 - LC90/900 (12kW) - part 2	9
Dryer LC90 - LC90/2 (6 - 12kW) - electric components.....	11
Dryer LC90 - LC90/2 (6 - 12kW) - electric components.....	13
Dryer LC90 - LC90/2 - LC90/900 - LC90/4 (6 - 12 - 18kW) - electric components	15
Dryer LC90 - LC 90/2 - LC90/900 - LC90/4 (6 - 12 - 18kW) - electric components	17
Dryer LC90 - LC 90/2 - LC90/900 - LC90/4 (6 - 12 - 18kW) - electric components.....	19
Dryer LC90 - LC 90/2 - LC90/900 - LC90/4 (6 - 12 - 18kW) - electric components.....	21
Dryer LC90 - LC90/2 (6 - 12kW) - electric components.....	23
Dryer LC90 - LC90/2 (6 - 12kW) - electric components.....	25
Motorized curve 90° - LC 97/2	27
Dryer motorized curve 90° - LC 97/4.....	29

Motorized curve 90° - LC 97/2: electric parts.....31

**Motorized curve 90° - LC 97/2: electric parts single speed -
remote control33**

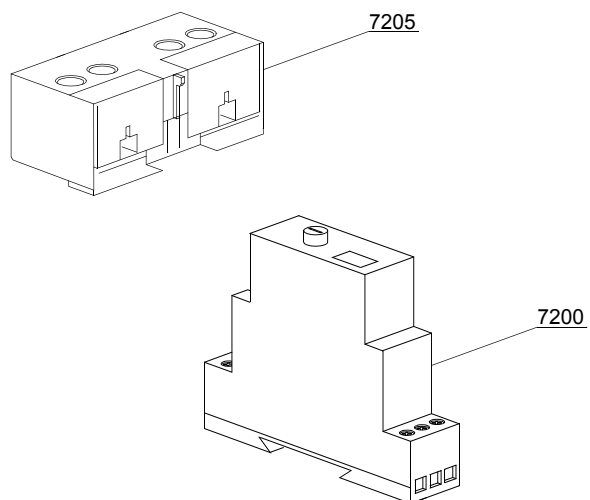
**Motorized curve 90° - LC 97/2: electric parts double speed -
remote control35**

1.1 Voltage codes

Volt	Voltage code
A	3/N/PE~380-400V 50-60Hz
D	3/PE~200-210V 50-60Hz
F	2/PE~220-240V 50-60Hz
G	3/N/PE~415V 50-60Hz
H	3/PE~220-230V 50-60Hz
K	3/PE~380-400V 50-60Hz
L	3/PE~415V 50-60Hz
M	3/PE~440V 60Hz
P	1/N/PE~220-230V 50-60Hz
R	2/PE~220-240V 50-60Hz
U	1/N/PE~240V 50-60Hz
V	3/PE~240V 50-60Hz
W	1/N/PE~100-110V 50-60Hz

1.2 Product codes

Product code	Full name
Model codes	
Type codes	
974	974
Accessory codes	



07_001_e

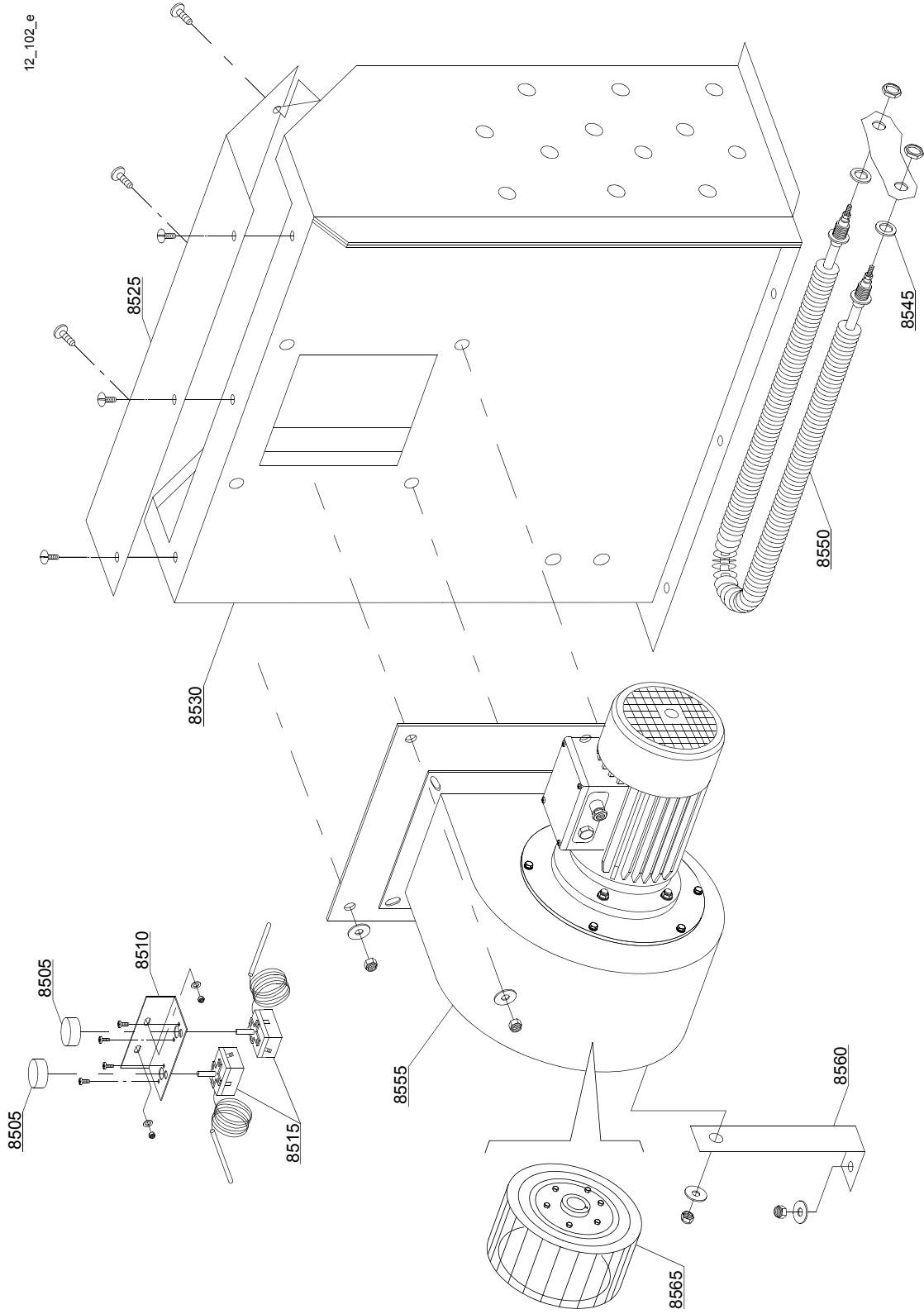
Spare parts

ID	P-code	SN from	SN to	Mod.	Acces.	Volt	Description
Module: Time relay							
7200	3006225		-	em		A	Time relay 24V
7205	3006068		-	em		A	MC9 auxiliary contact 1NO-1NC
7205	3002057		-	em		A	MC9 auxiliary contact 2NO
7205	3002052		-	em		A	MC9 auxiliary contact 2NC

em=ELECTROMECHANICAL SWITCHES

974=974

A=3/N/PE~380-400V 50-60Hz, D=3/PE~200-210V 50-60Hz, F=2/PE~220-240V 50-60Hz, G=3/N/PE~415V 50-60Hz, H=3/PE~220-230V 50-60Hz, K=3/PE~380-400V 50-60Hz, L=3/PE~415V 50-60Hz, M=3/PE~440V 60Hz, P=1/N/PE~220-230V 50-60Hz, R=2/PE~220-240V 50-60Hz, U=1/N/PE~240V 50-60Hz, V=3/PE~240V 50-60Hz, W=1/N/PE~100-110V 50-60Hz



Spare parts

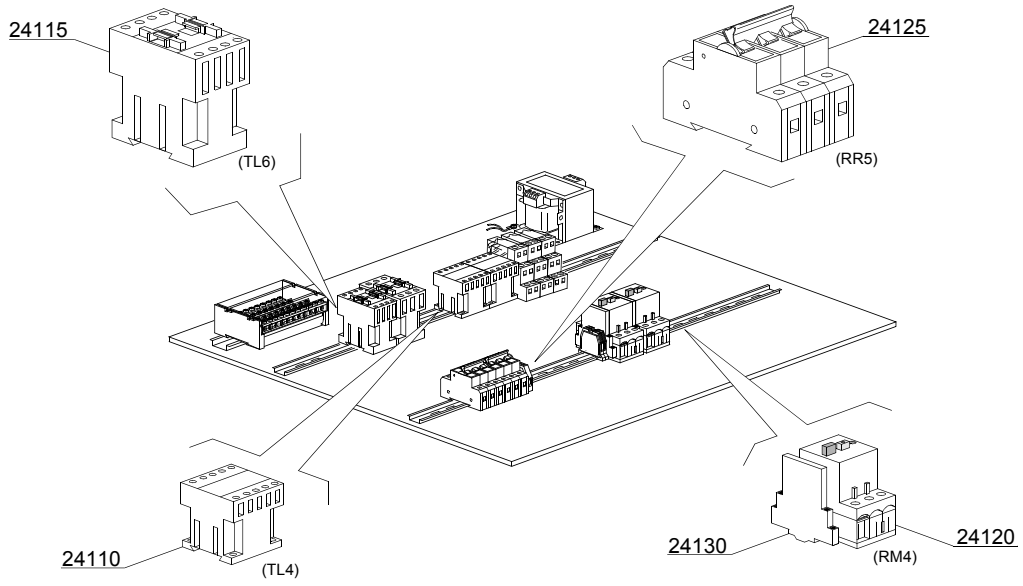
ID	P-code	SN from	SN to	Mod.	Acces.	Volt	Description
Module:Dryer LC90/2 - LC90/900 (12kW) - part 2							
8505	15105/A		-	em			Thermostat knob
8510	3009104		-	em			Themostat support
8515	10707/2		-	em			Thermostat with shaft 0 - 90°
8525	3009085		-	em			Cover drying conveyor
8530	3009488		-	em			Right drying conveyor
8530	3009489		-	em			Left drying conveyor
8545	10200171		-	em			Gasket FASIT 25x17x2
8550	2000359		-	em			Drying heating element with nut
8555	3003118		-	em			Motorfan 0.75 kW
8555	3000301		-	em			Motorfan 1,5 kW
8560	3009214		-	em			Motorfan support
8565	3003119		-	em			Pump rotor

em=ELECTROMECHANICAL SWITCHES

974=974

A=3/N/PE~380-400V 50-60Hz, D=3/PE~200-210V 50-60Hz, F=2/PE~220-240V 50-60Hz, G=3/N/PE~415V 50-60Hz, H=3/PE~220-230V 50-60Hz, K=3/PE~380-400V 50-60Hz, L=3/PE~415V 50-60Hz, M=3/PE~440V 60Hz, P=1/N/PE~220-230V 50-60Hz, R=2/PE~220-240V 50-60Hz, U=1/N/PE~240V 50-60Hz, V=3/PE~240V 50-60Hz, W=1/N/PE~100-110V 50-60Hz

112105_e



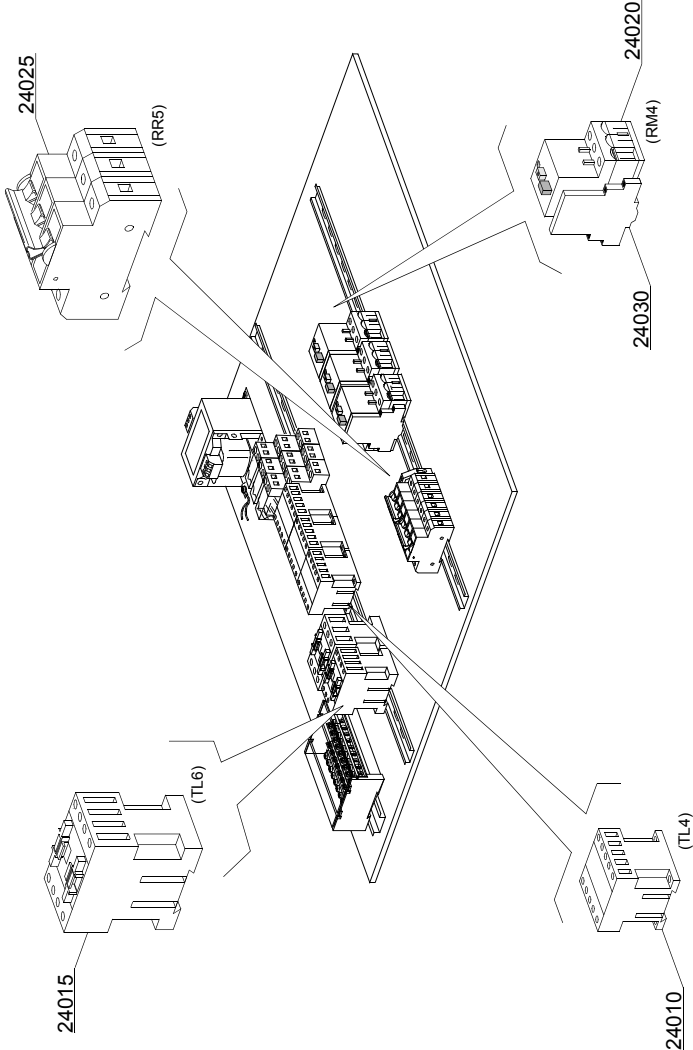
Spare parts

ID	P-code	SN from	SN to	Mod.	Acces.	Volt	Description
Module:Dryer LC90 - LC90/2 (6 - 12kW) - electric components							
24110	2000370		-	em		A	Contactora MC9
24115	2000385		-	em		A	Contactora BF20 (LC90/2 - 12kW)
24120	2000400		-	em		A	Motorprotector 4-6,3A (Motorfan 1,5 kW)
24125	2000404		-	em		A	Automatic fuse C25 (LC90/2 - 12kW)
24130	3006080		-	em		A	Auxiliary contact LMS25

em=ELECTROMECHANICAL SWITCHES

974=974

A=3/N/PE~380-400V 50-60Hz, D=3/PE~200-210V 50-60Hz, F=2/PE~220-240V 50-60Hz, G=3/N/PE~415V 50-60Hz, H=3/PE~220-230V 50-60Hz, K=3/PE~380-400V 50-60Hz, L=3/PE~415V 50-60Hz, M=3/PE~440V 60Hz, P=1/N/PE~220-230V 50-60Hz, R=2/PE~220-240V 50-60Hz, U=1/N/PE~240V 50-60Hz, V=3/PE~240V 50-60Hz, W=1/N/PE~100-110V 50-60Hz



112104_e

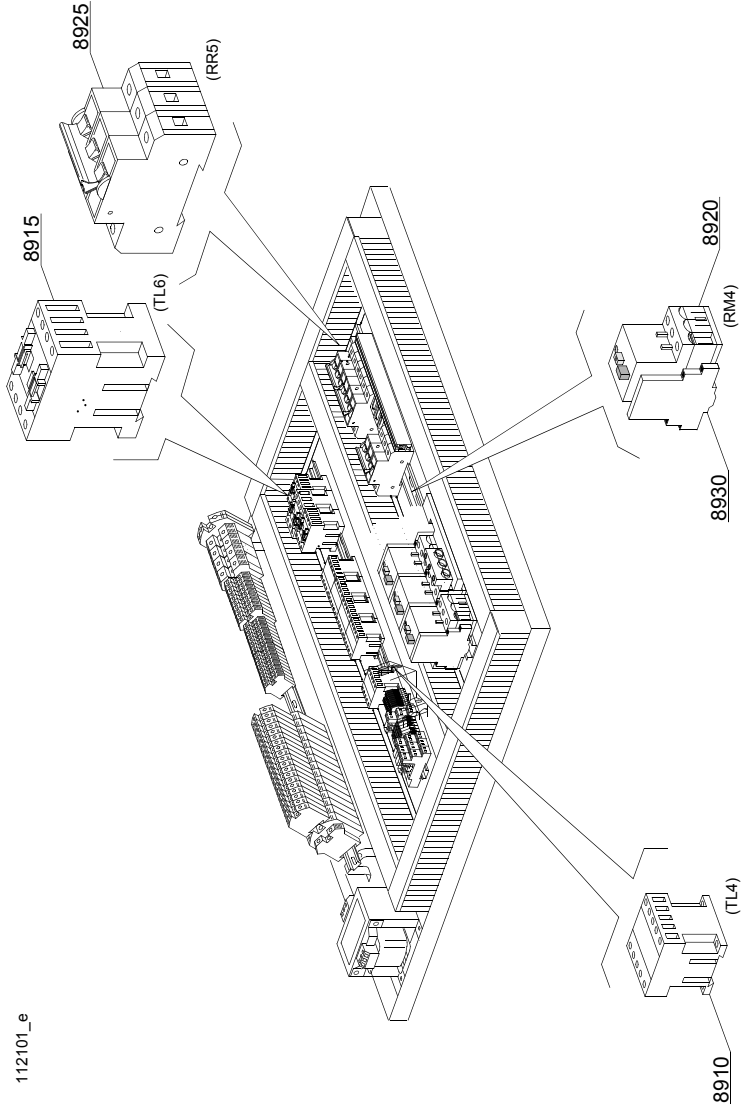
Spare parts

ID	P-code	SN from	SN to	Mod.	Acces.	Volt	Description
Module:Dryer LC90 - LC90/2 (6 - 12kW) - electric components							
24010	2000370		-	em		A	Contactora MC9
24015	2000385		-	em		A	Contactora BF20 (LC90/2 - 12kW)
24020	2000400		-	em		A	Motorprotector 4-6,3A (Motorfan 1,5 kW)
24025	2000404		-	em		A	Automatic fuse C25 (LC90/2 - 12kW)
24030	3006080		-	em		A	Auxiliary contact LMS25

em=ELECTROMECHANICAL SWITCHES

974=974

A=3/N/PE~380-400V 50-60Hz, D=3/PE~200-210V 50-60Hz, F=2/PE~220-240V 50-60Hz, G=3/N/PE~415V 50-60Hz, H=3/PE~220-230V 50-60Hz, K=3/PE~380-400V 50-60Hz, L=3/PE~415V 50-60Hz, M=3/PE~440V 60Hz, P=1/N/PE~220-230V 50-60Hz, R=2/PE~220-240V 50-60Hz, U=1/N/PE~240V 50-60Hz, V=3/PE~240V 50-60Hz, W=1/N/PE~100-110V 50-60Hz



112101_e

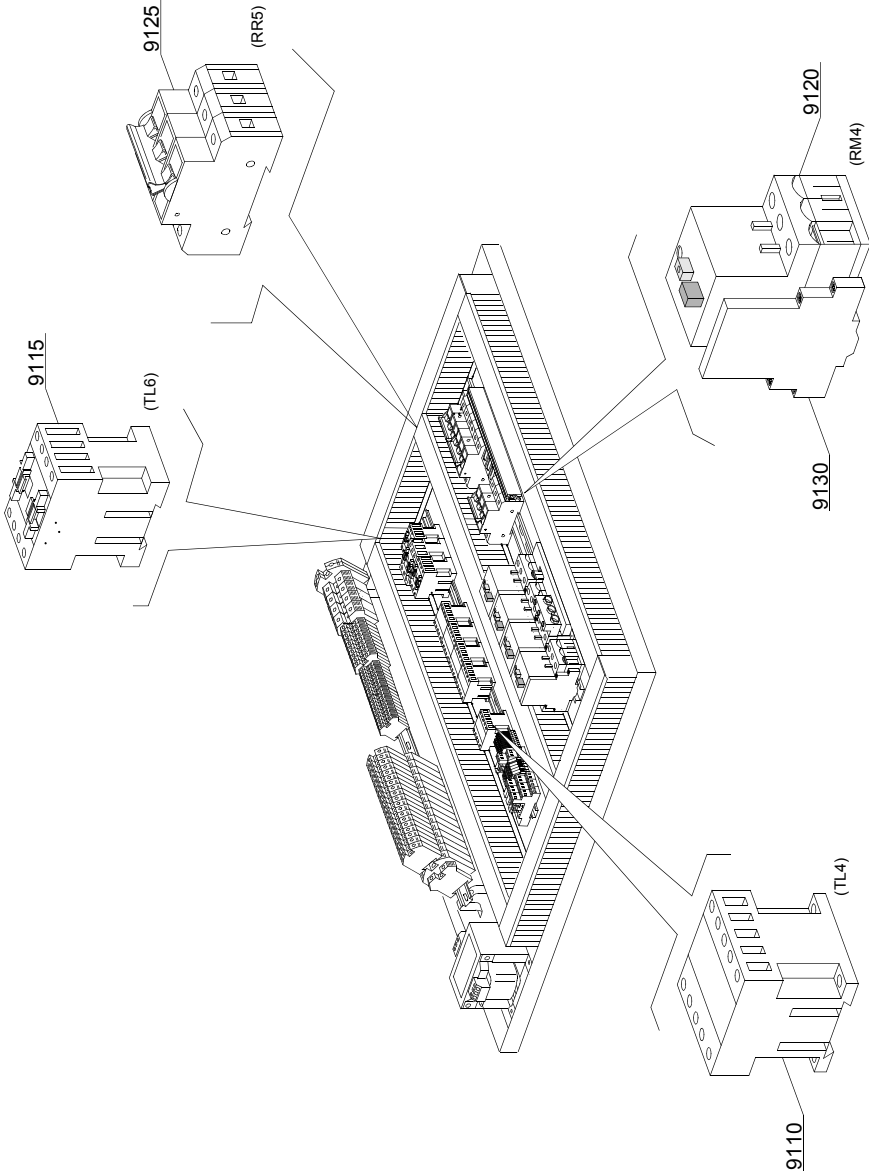
Spare parts

ID	P-code	SN from	SN to	Mod.	Acces.	Volt	Description
Module:Dryer LC90 - LC90/2 - LC90/900 - LC90/4 (6 - 12 - 18kW) - electric components							
8910	2000370		-	em		A	Contactora MC9
8915	2000385		-	em		A	Contactora BF20 (LC90/2 - 12kW)
8920	2000400		-	em		A	Motorprotector 4-6,3A (Motorfan 1,5 kW)
8925	2000404		-	em		A	Automatic fuse C25 (LC90/2 - 12kW)
8930	3006080		-	em		A	Auxiliary contact LMS25

em=ELECTROMECHANICAL SWITCHES

974=974

A=3/N/PE~380-400V 50-60Hz, D=3/PE~200-210V 50-60Hz, F=2/PE~220-240V 50-60Hz, G=3/N/PE~415V 50-60Hz, H=3/PE~220-230V 50-60Hz, K=3/PE~380-400V 50-60Hz, L=3/PE~415V 50-60Hz, M=3/PE~440V 60Hz, P=1/N/PE~220-230V 50-60Hz, R=2/PE~220-240V 50-60Hz, U=1/N/PE~240V 50-60Hz, V=3/PE~240V 50-60Hz, W=1/N/PE~100-110V 50-60Hz



112102_e

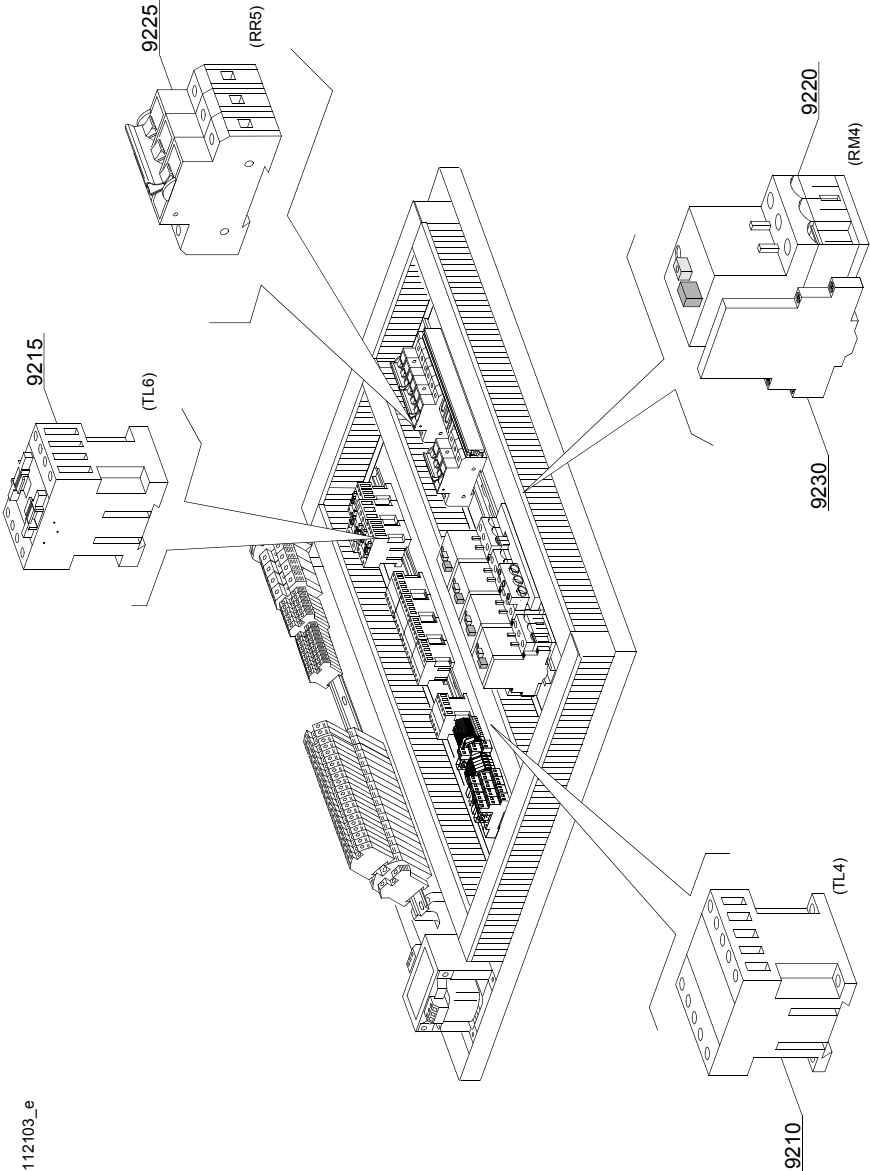
Spare parts

ID	P-code	SN from	SN to	Mod.	Acces.	Volt	Description
Module:Dryer LC90 - LC 90/2 - LC90/900 - LC90/4 (6 - 12 - 18kW) - electric components							
9110	2000370		-	em		A	Contactora MC9
9115	2000385		-	em		A	Contactora BF20 (LC90/2 - 12kW)
9120	2000400		-	em		A	Motorprotector 4-6,3A (Motorfan 1,5 kW)
9125	2000404		-	em		A	Automatic fuse C25 (LC90/2 - 12kW)
9130	3006080		-	em		A	Auxiliary contact LMS25

em=ELECTROMECHANICAL SWITCHES

974=974

A=3/N/PE~380-400V 50-60Hz, D=3/PE~200-210V 50-60Hz, F=2/PE~220-240V 50-60Hz, G=3/N/PE~415V 50-60Hz, H=3/PE~220-230V 50-60Hz, K=3/PE~380-400V 50-60Hz, L=3/PE~415V 50-60Hz, M=3/PE~440V 60Hz, P=1/N/PE~220-230V 50-60Hz, R=2/PE~220-240V 50-60Hz, U=1/N/PE~240V 50-60Hz, V=3/PE~240V 50-60Hz, W=1/N/PE~100-110V 50-60Hz



112103_e

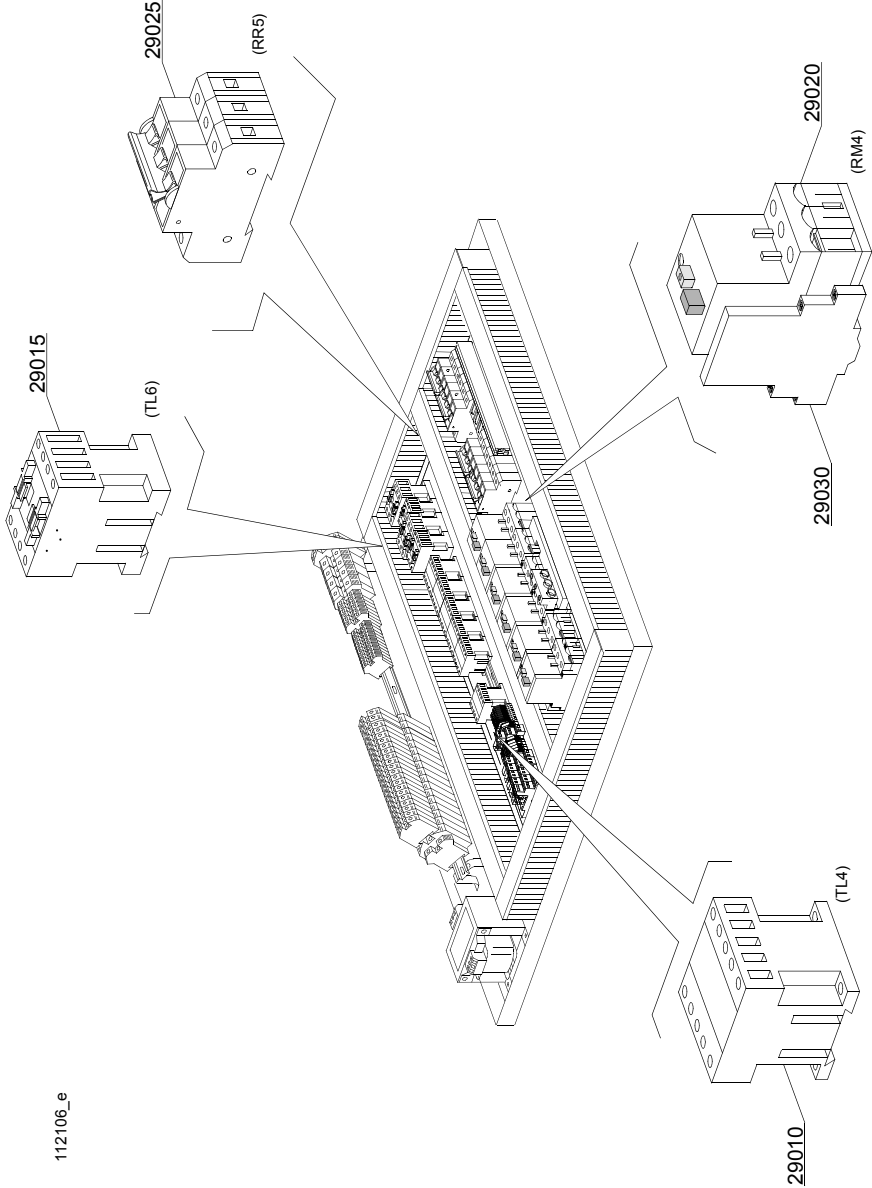
Spare parts

ID	P-code	SN from	SN to	Mod.	Acces.	Volt	Description
Module:Dryer LC90 - LC 90/2 - LC90/900 - LC90/4 (6 - 12 - 18kW) - electric components							
9210	2000370		-	em		A	Contactora MC9
9215	2000385		-	em		A	Contactora BF20 (LC90/2 - 12kW)
9220	2000400		-	em		A	Motorprotector 4-6,3A (Motorfan 1,5 kW)
9225	2000404		-	em		A	Automatic fuse C25 (LC90/2 - 12kW)
9230	3006080		-	em		A	Auxiliary contact LMS25

em=ELECTROMECHANICAL SWITCHES

974=974

A=3/N/PE~380-400V 50-60Hz, D=3/PE~200-210V 50-60Hz, F=2/PE~220-240V 50-60Hz, G=3/N/PE~415V 50-60Hz, H=3/PE~220-230V 50-60Hz, K=3/PE~380-400V 50-60Hz, L=3/PE~415V 50-60Hz, M=3/PE~440V 60Hz, P=1/N/PE~220-230V 50-60Hz, R=2/PE~220-240V 50-60Hz, U=1/N/PE~240V 50-60Hz, V=3/PE~240V 50-60Hz, W=1/N/PE~100-110V 50-60Hz



112106_e

Spare parts

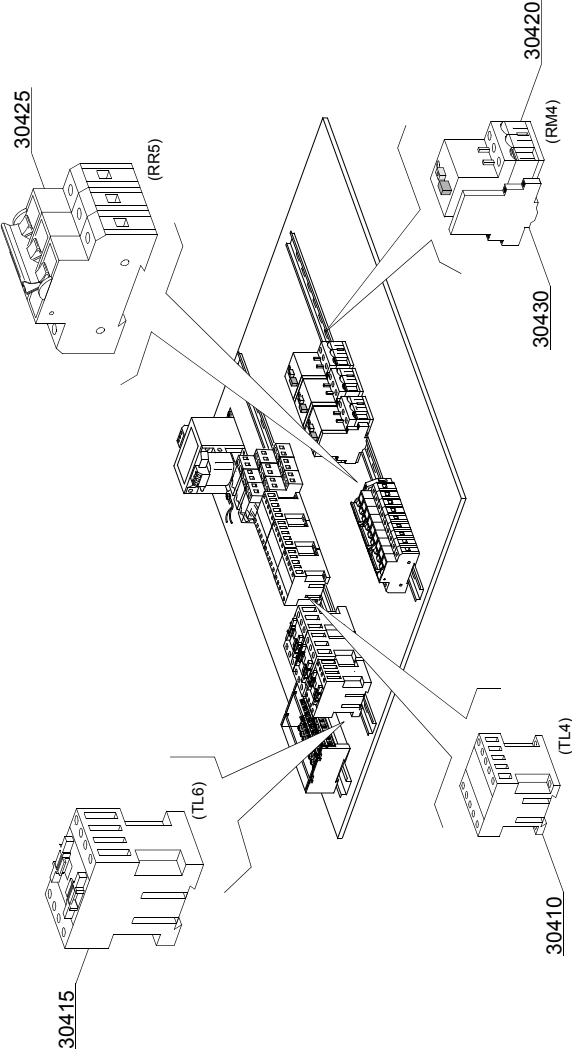
ID	P-code	SN from	SN to	Mod.	Acces.	Volt	Description
Module:Dryer LC90 - LC 90/2 - LC90/900 - LC90/4 (6 - 12 - 18kW) - electric components							
29010	2000370		-	em		A	Contacteur MC9
29015	2000385		-	em		A	Contacteur BF20 (LC90/2 - 12kW)
29020	2000400		-	em		A	Motorprotector 4-6,3A (Motorfan 1,5 kW)
29025	2000404		-	em		A	Automatic fuse C25 (LC90/2 - 12kW)
29030	3006080		-	em		A	Auxiliary contact LMS25

em=ELECTROMECHANICAL SWITCHES

974=974

A=3/N/PE~380-400V 50-60Hz, D=3/PE~200-210V 50-60Hz, F=2/PE~220-240V 50-60Hz, G=3/N/PE~415V 50-60Hz, H=3/PE~220-230V 50-60Hz, K=3/PE~380-400V 50-60Hz, L=3/PE~415V 50-60Hz, M=3/PE~440V 60Hz, P=1/N/PE~220-230V 50-60Hz, R=2/PE~220-240V 50-60Hz, U=1/N/PE~240V 50-60Hz, V=3/PE~240V 50-60Hz, W=1/N/PE~100-110V 50-60Hz

112107_e



Spare parts

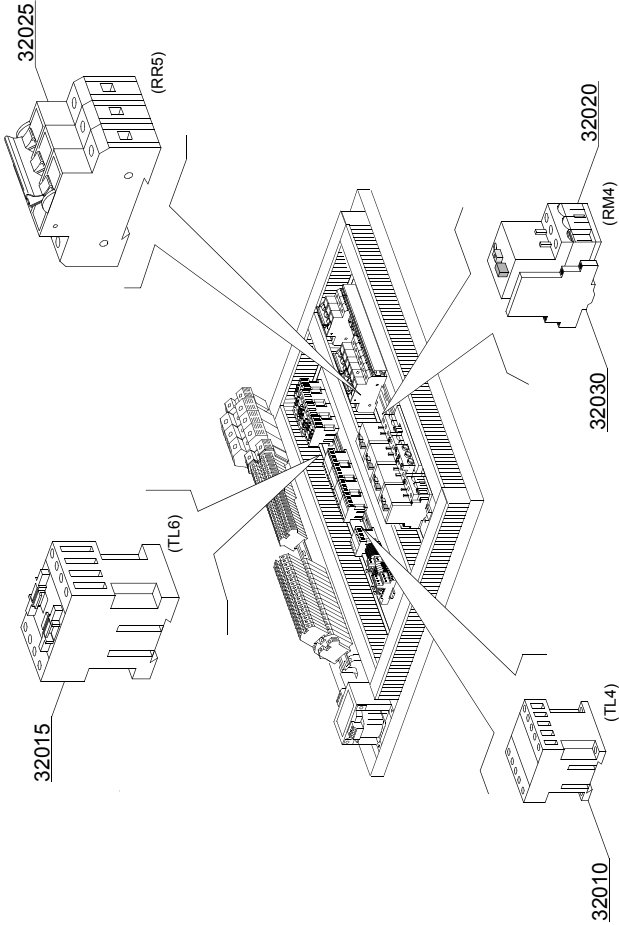
ID	P-code	SN from	SN to	Mod.	Acces.	Volt	Description
Module:Dryer LC90 - LC90/2 (6 - 12kW) - electric components							
30410	2000370		-	em		A	Contactora MC9
30415	2000385		-	em		A	Contactora BF20 (LC90/2 - 12kW)
30420	2000400		-	em		A	Motorprotector 4-6,3A (Motorfan 1,5 kW)
30425	2000404		-	em		A	Automatic fuse C25 (LC90/2 - 12kW)
30430	3006080		-	em		A	Auxiliary contact LMS25

em=ELECTROMECHANICAL SWITCHES

974=974

A=3/N/PE~380-400V 50-60Hz, D=3/PE~200-210V 50-60Hz, F=2/PE~220-240V 50-60Hz, G=3/N/PE~415V 50-60Hz, H=3/PE~220-230V 50-60Hz, K=3/PE~380-400V 50-60Hz, L=3/PE~415V 50-60Hz, M=3/PE~440V 60Hz, P=1/N/PE~220-230V 50-60Hz, R=2/PE~220-240V 50-60Hz, U=1/N/PE~240V 50-60Hz, V=3/PE~240V 50-60Hz, W=1/N/PE~100-110V 50-60Hz

112108_e



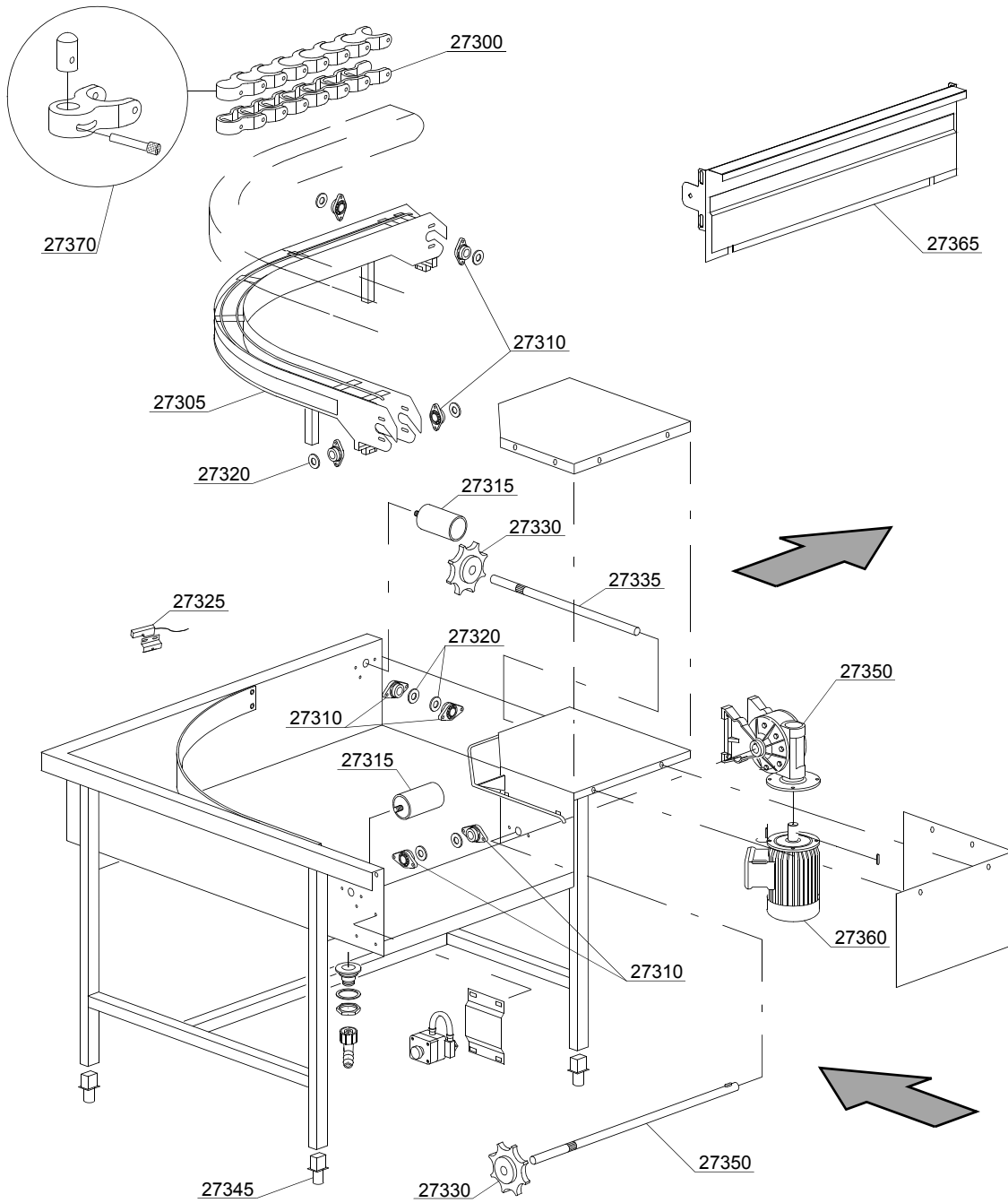
Spare parts

ID	P-code	SN from	SN to	Mod.	Acces.	Volt	Description
Module:Dryer LC90 - LC90/2 (6 - 12kW) - electric components							
32010	2000370		-	em		A	Contactora MC9
32015	2000385		-	em		A	Contactora BF20 (LC90/2 - 12kW)
32020	2000400		-	em		A	Motorprotector 4-6,3A (Motorfan 1,5 kW)
32025	2000404		-	em		A	Automatic fuse C25 (LC90/2 - 12kW)
32030	3006080		-	em		A	Auxiliary contact LMS25

em=ELECTROMECHANICAL SWITCHES

974=974

A=3/N/PE~380-400V 50-60Hz, D=3/PE~200-210V 50-60Hz, F=2/PE~220-240V 50-60Hz, G=3/N/PE~415V 50-60Hz, H=3/PE~220-230V 50-60Hz, K=3/PE~380-400V 50-60Hz, L=3/PE~415V 50-60Hz, M=3/PE~440V 60Hz, P=1/N/PE~220-230V 50-60Hz, R=2/PE~220-240V 50-60Hz, U=1/N/PE~240V 50-60Hz, V=3/PE~240V 50-60Hz, W=1/N/PE~100-110V 50-60Hz



15_001_e

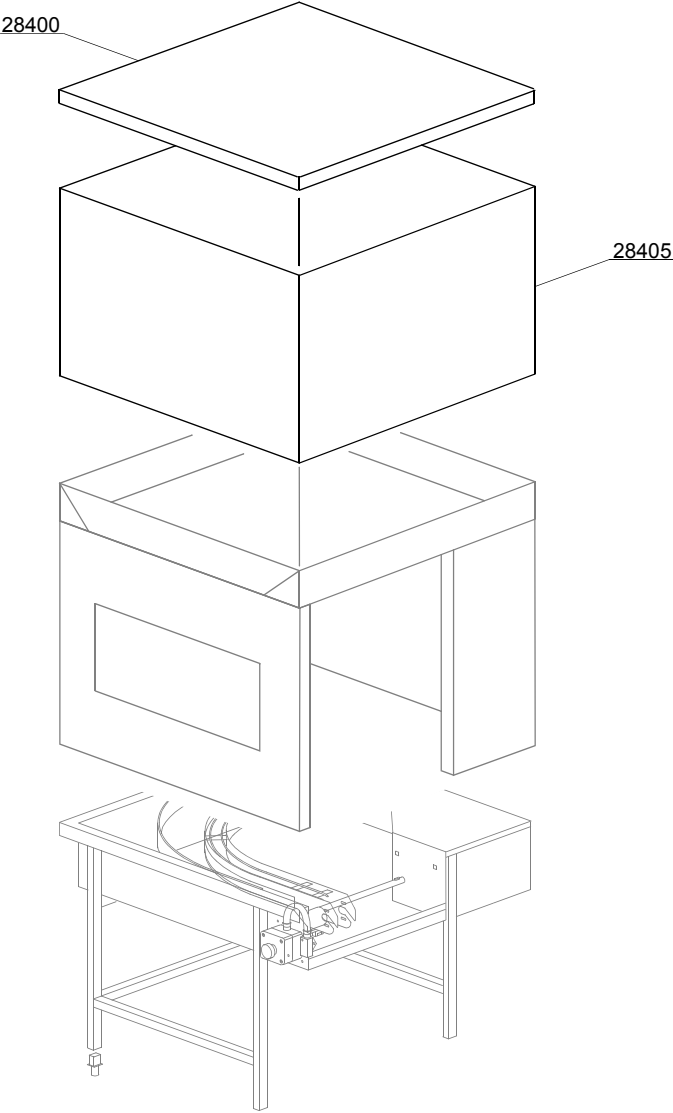
Spare parts

ID	P-code	SN from	SN to	Mod.	Acces.	Volt	Description
Module: Motorized curve 90° - LC 97/2							
27300	3000259		-	em			Chain for roller
27305	3003057		-	em			Kit guide for chain
27310	3000260		-	em			Flange for chain
27315	3000262		-	em			Ø50x80 embossment roller
27320	3003048		-	em			Spacer for bearings
27325	3003112		-	em			Door microswitch
27330	3000261		-	em			8 teeth pinion
27335	3003050		-	em			Neutral shaft for chain
27345	3000252		-	em			Adjustable food
27350	3003047		-	em			Shaft for chain rotation
27350	3000254		-	em			Gear right 1:100
27350	3000250		-	em			Gear left 1:70
27360	3000102		-	em		A	Conveyor motor - 8P 230/400V 50HZ
27360	3000107		-	em		A	Conveyor motor - 6/8P 400V 50HZ - reduced
27360	3000108		-	em			Conveyor motor - 6/8P 230V 50HZ - reduced
27360	3000110		-	em		A	Conveyor motor - 6/8P 400/415V 50HZ
27360	3000109		-	em			Conveyor motor - 6/8P 230V 50HZ
27360	3000251		-	em		A	Conveyor motor - 0,18HP - LC97
27365	3009657		-	em			Adapter
27370	3000270		-	em			Rack-push+Support+Pivot

em=ELECTROMECHANICAL SWITCHES

974=974

A=3/N/PE~380-400V 50-60Hz, D=3/PE~200-210V 50-60Hz, F=2/PE~220-240V 50-60Hz, G=3/N/PE~415V 50-60Hz, H=3/PE~220-230V 50-60Hz, K=3/PE~380-400V 50-60Hz, L=3/PE~415V 50-60Hz, M=3/PE~440V 60Hz, P=1/N/PE~220-230V 50-60Hz, R=2/PE~220-240V 50-60Hz, U=1/N/PE~240V 50-60Hz, V=3/PE~240V 50-60Hz, W=1/N/PE~100-110V 50-60Hz



15_101_e

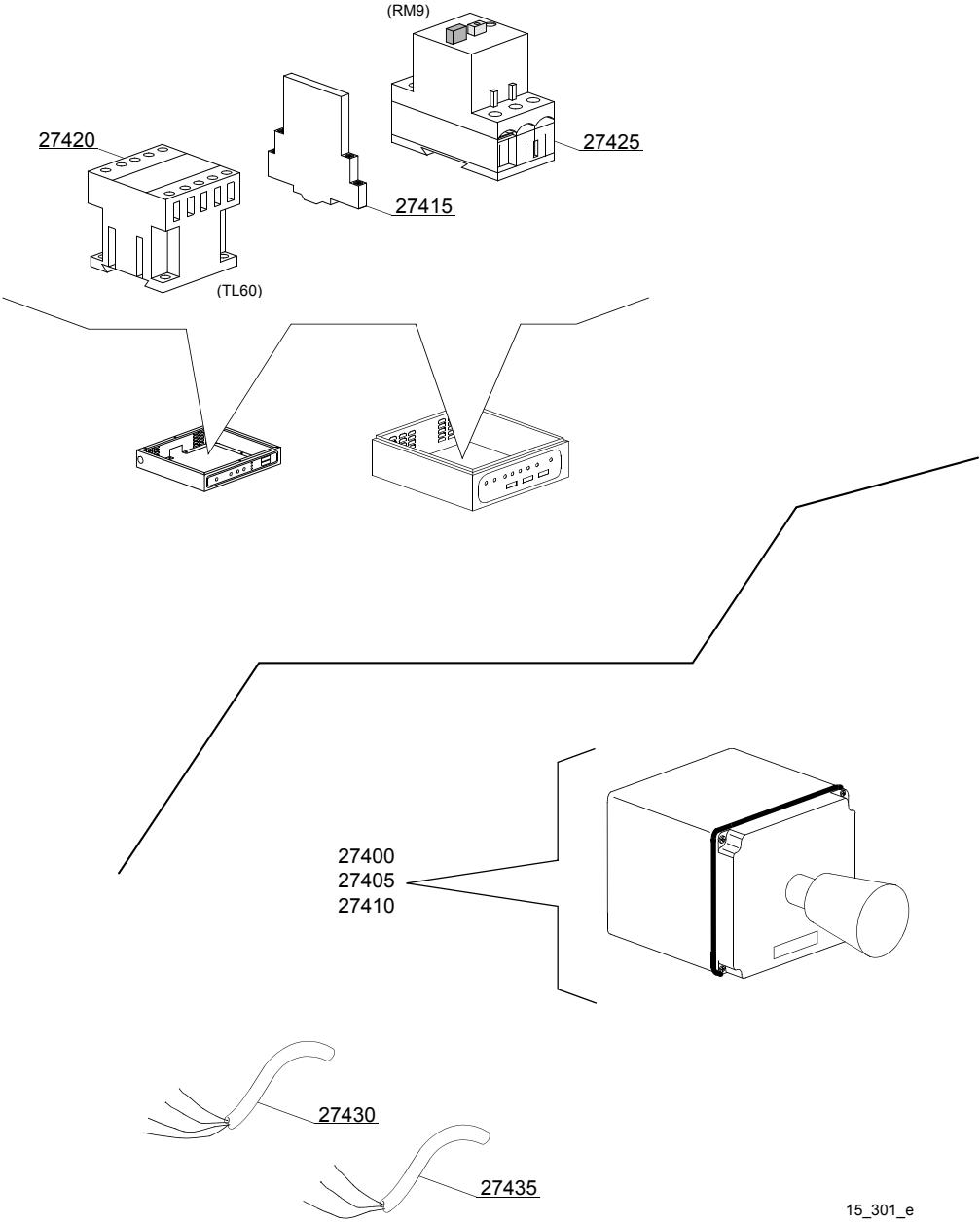
Spare parts

ID	P-code	SN from	SN to	Mod.	Acces.	Volt	Description
Module:Dryer motorized curve 90° - LC 97/4							
28400	3009326		-	em			Cover panel
28405	3009511		-	em			Carter

em=ELECTROMECHANICAL SWITCHES

974=974

A=3/N/PE~380-400V 50-60Hz, D=3/PE~200-210V 50-60Hz, F=2/PE~220-240V 50-60Hz, G=3/N/PE~415V 50-60Hz, H=3/PE~220-230V 50-60Hz, K=3/PE~380-400V 50-60Hz, L=3/PE~415V 50-60Hz, M=3/PE~440V 60Hz, P=1/N/PE~220-230V 50-60Hz, R=2/PE~220-240V 50-60Hz, U=1/N/PE~240V 50-60Hz, V=3/PE~240V 50-60Hz, W=1/N/PE~100-110V 50-60Hz



15_301_e

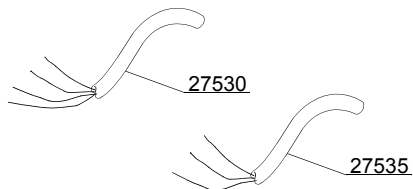
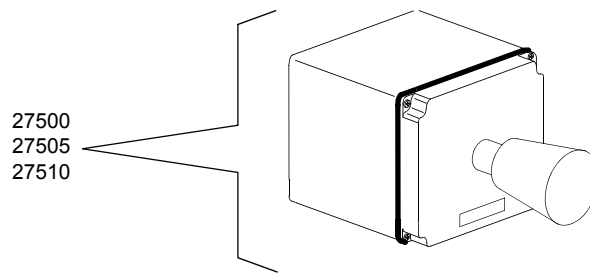
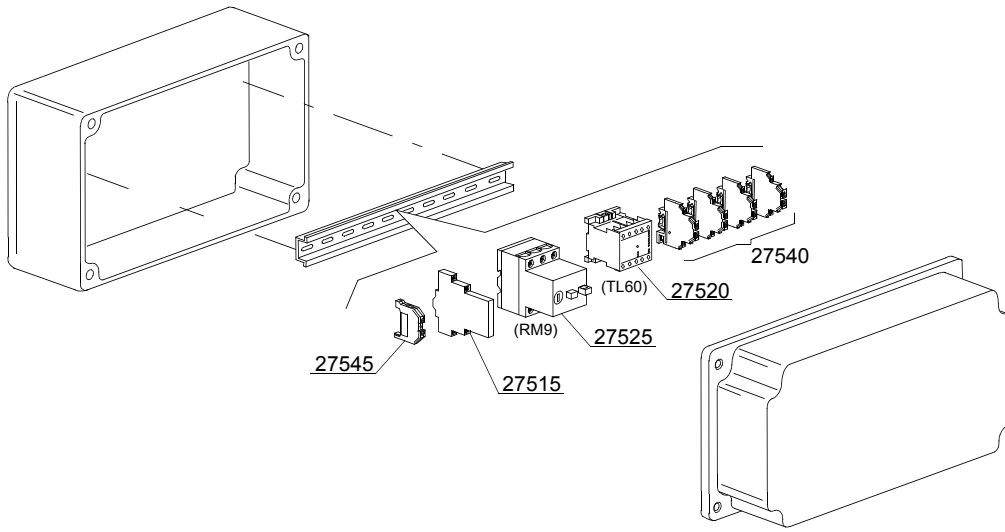
Spare parts

ID	P-code	SN from	SN to	Mod.	Acces.	Volt	Description
Module: Motorized curve 90° - LC 97/2: electric parts							
27400	3000264		-	em			Emergency box
27405	3000263		-	em			Emergency switch
27410	3002059		-	em			1R contact
27415	3006080		-	em			Auxiliary contact LMS25
27420	2000370		-	em			Contacteur MC9
27425	2000389		-	em			Motorprotector 0,63 - 1A (vers.400 VaC 3N)
27425	2000390		-	em			Motorprotector 1 - 1.6A
27430	3006134		-	em			Flame-retardant cable 4x1,5mm

em=ELECTROMECHANICAL SWITCHES

974=974

A=3/N/PE~380-400V 50-60Hz, D=3/PE~200-210V 50-60Hz, F=2/PE~220-240V 50-60Hz, G=3/N/PE~415V 50-60Hz, H=3/PE~220-230V 50-60Hz, K=3/PE~380-400V 50-60Hz, L=3/PE~415V 50-60Hz, M=3/PE~440V 60Hz, P=1/N/PE~220-230V 50-60Hz, R=2/PE~220-240V 50-60Hz, U=1/N/PE~240V 50-60Hz, V=3/PE~240V 50-60Hz, W=1/N/PE~100-110V 50-60Hz



15_302_e

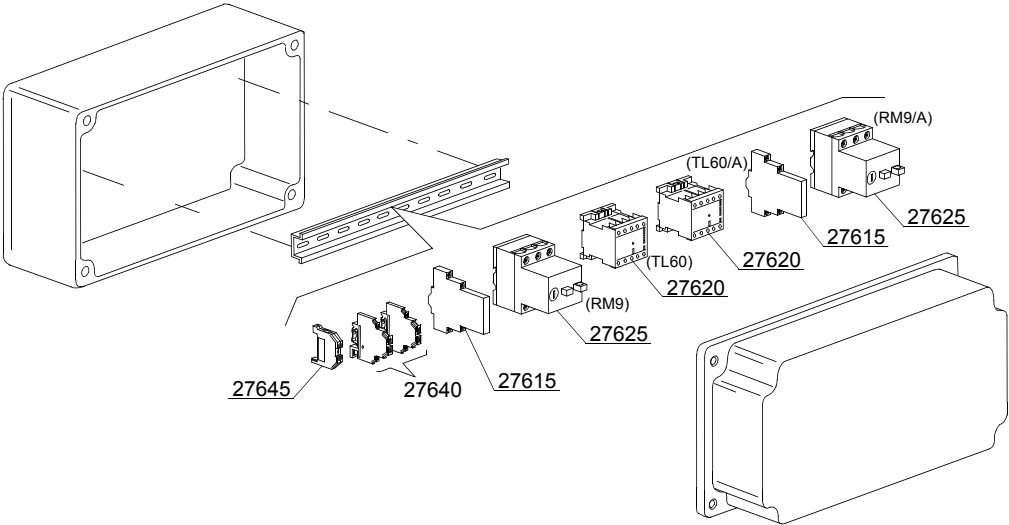
Spare parts

ID	P-code	SN from	SN to	Mod.	Acces.	Volt	Description
Module: Motorized curve 90° - LC 97/2: electric parts single speed - remote control [151,160]							
27500	3000264		-	em			Emergency box
27505	3000263		-	em			Emergency switch
27510	3002059		-	em			1R contact
27515	3006080		-	em			Auxiliary contact LMS25
27520	2000370		-	em			Contacteur MC9
27525	2000389		-	em			Motorprotector 0,63 - 1 A (vers.400 VaC 3N)
27525	2000390		-	em			Motorprotector 1 - 1.6A
27530	3006134		-	em			Flame-retardant cable 4x1,5mm
27540	3006092		-	em			Clamp 4mm ²
27545	10300401		-	em			Earth clamp 4mm ²

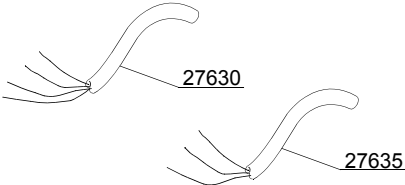
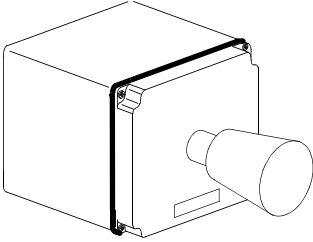
em=ELECTROMECHANICAL SWITCHES

974=974

A=3/N/PE~380-400V 50-60Hz, D=3/PE~200-210V 50-60Hz, F=2/PE~220-240V 50-60Hz, G=3/N/PE~415V 50-60Hz, H=3/PE~220-230V 50-60Hz, K=3/PE~380-400V 50-60Hz, L=3/PE~415V 50-60Hz, M=3/PE~440V 60Hz, P=1/N/PE~220-230V 50-60Hz, R=2/PE~220-240V 50-60Hz, U=1/N/PE~240V 50-60Hz, V=3/PE~240V 50-60Hz, W=1/N/PE~100-110V 50-60Hz



27600
27605
27610



15_303_e

Spare parts

ID	P-code	SN from	SN to	Mod.	Acces.	Volt	Description
Module: Motorized curve 90° - LC 97/2: electric parts double speed - remote control							
27600	3000264		-	em			Emergency box
27605	3000263		-	em			Emergency switch
27610	3002059		-	em			1R contact
27615	3006080		-	em			Auxiliary contact LMS25
27620	2000370		-	em			Contacteur MC9
27625	2000389		-	em			Motorprotector 0,63 - 1A (vers.400 VaC 3N)
27625	2000390		-	em			Motorprotector 1 - 1.6A
27630	3006134		-	em			Flame-retardant cable 4x1,5mm
27640	3006092		-	em			Clamp 4mm ²
27645	10300401		-	em			Earth clamp 4mm ²

em=ELECTROMECHANICAL SWITCHES

974=974

A=3/N/PE~380-400V 50-60Hz, D=3/PE~200-210V 50-60Hz, F=2/PE~220-240V 50-60Hz, G=3/N/PE~415V 50-60Hz, H=3/PE~220-230V 50-60Hz, K=3/PE~380-400V 50-60Hz, L=3/PE~415V 50-60Hz, M=3/PE~440V 60Hz, P=1/N/PE~220-230V 50-60Hz, R=2/PE~220-240V 50-60Hz, U=1/N/PE~240V 50-60Hz, V=3/PE~240V 50-60Hz, W=1/N/PE~100-110V 50-60Hz