

# RACK CONVEYOR MACHINE

TYPE: 71, 71G

Accessories

STEAM CONDENSER - LC 91

CONVEYOR SPEED ADJUSTING- LC 101

DRYER - LC 90/2

ADDITIONAL BOILER FOR COLD WATER SUPPLY

DVGW VALVE SYSTEM

TANKS INSULATION

DOUBLE SKIN

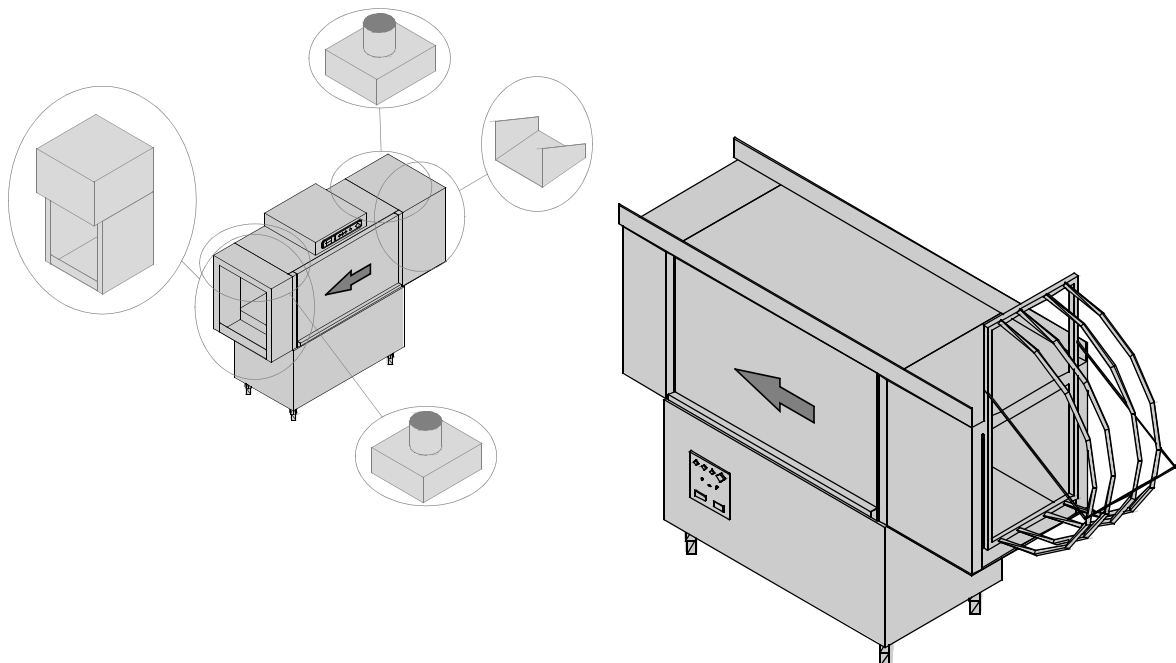
BOOSTER PUMP

DISPENSERS SYSTEM SDN-3

---

## Spare parts manual

---



---

S/N:

Valid from:..11/2002

Rev.: 2.0

---



## 1. Spare parts

<b>Control Panel.....</b>	<b>7</b>
<b>Control Panel.....</b>	<b>9</b>
<b>Electric parts.....</b>	<b>11</b>
<b>Electric parts.....</b>	<b>13</b>
<b>General parts .....</b>	<b>15</b>
<b>General parts .....</b>	<b>17</b>
<b>Economizer components .....</b>	<b>19</b>
<b>Curtains group components .....</b>	<b>21</b>
<b>Inverter .....</b>	<b>23</b>
<b>Time relay .....</b>	<b>25</b>
<b>Dryer LC 90/2 ( 12kW) - part 1 .....</b>	<b>27</b>
<b>Dryer LC 90/2 (12kW) - part 2 .....</b>	<b>29</b>
<b>Dryer LC 90/2 (12kW) - electric components [31</b>	
<b>Steam condenser - part 1 .....</b>	<b>33</b>
<b>Steam condenser - part 2 .....</b>	<b>35</b>
<b>Steam condenser - part 3 .....</b>	<b>37</b>

---

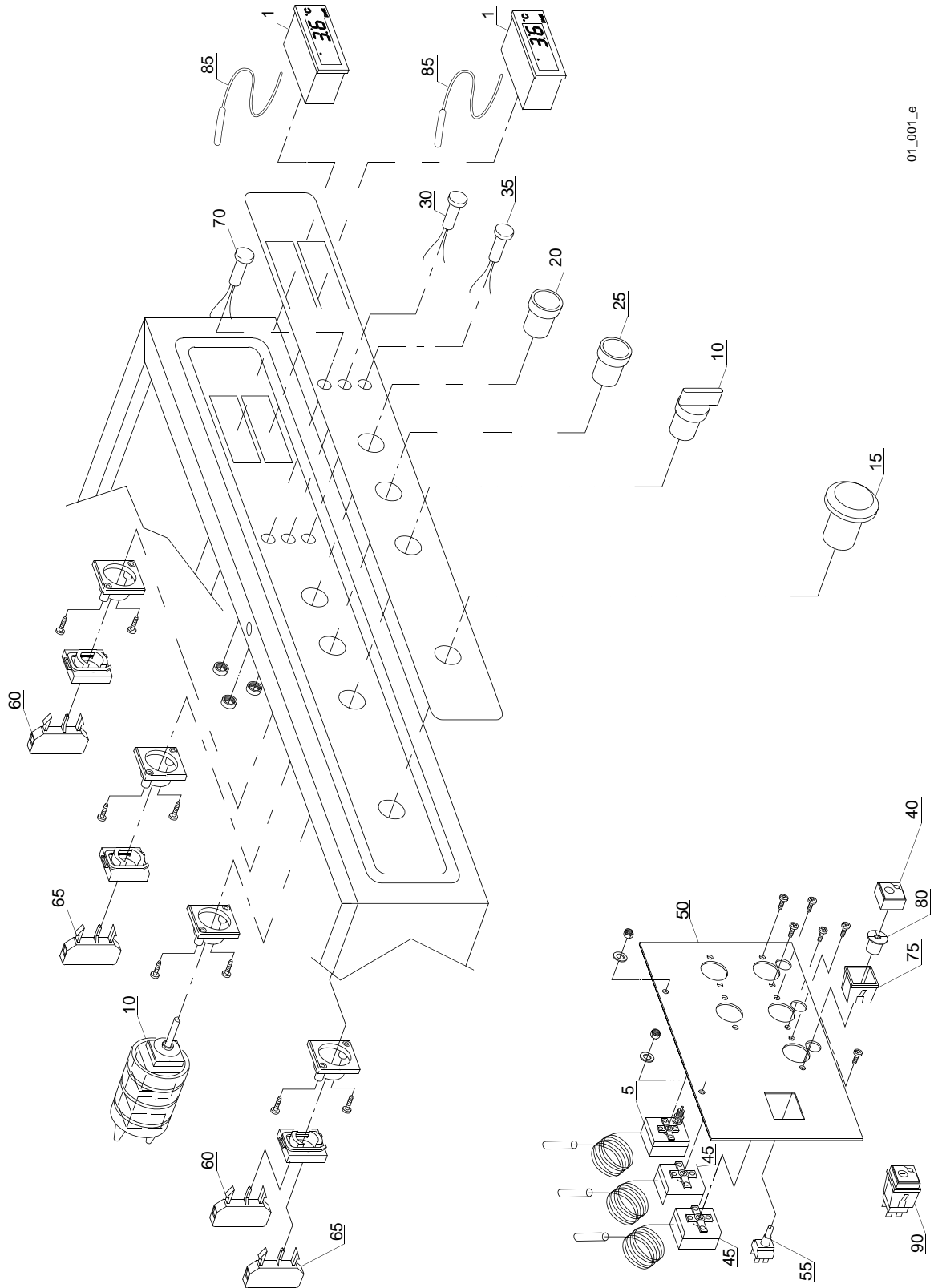
<b>Additional boiler components .....</b>	<b>39</b>
<b>Additional boiler: electrical components</b>	<b>41</b>
<b>DVGW valve .....</b>	<b>43</b>
<b>Motorgear components module 1300</b>	<b>45</b>
<b>Washing components .....</b>	<b>47</b>
<b>Internal components washing module 1300</b>	<b>49</b>
<b>Rinsing components .....</b>	<b>51</b>
<b>Boiler components .....</b>	<b>53</b>
<b>Solenoid valves components: tank loading + rinsing</b>	<b>55</b>
<b>Solenoid valves components: tank loading + rinsing</b>	<b>55</b>
<b>Solenoid valves components: tank loading + rinsing + steam condenser .....</b>	<b>57</b>
<b>Conveyor parts .....</b>	<b>59</b>
<b>Tank insulation .....</b>	<b>61</b>
<b>Tank insulation.....</b>	<b>63</b>
<b>Double skin.....</b>	<b>65</b>
<b>Double skin .....</b>	<b>67</b>
<b>Booster pump .....</b>	<b>69</b>
<b>Dispensers SDN-3 .....</b>	<b>71</b>
<b>Accessory .....</b>	<b>73</b>

## 1.1 Voltage codes

Voltage code	Voltage
A	3/N/PE~400/230V 50Hz
B	~250V 16A 50Hz
C	3/N/PE~380/220V 50Hz
D	3/PE~200V 50-60Hz
F	2/PE 220-240V 50Hz
G	3/N/PE~415/240V 50Hz
H	3/PE~230V 50Hz
I	3/PE~220V 60Hz
J	3/PE~380 50Hz
K	3/PE~400V 50Hz
L	3/PE~415V 50Hz
M	3/PE~440V 60Hz
N	3/PE~460V 60Hz
O	3/PE~480V 60Hz
P	1/N/PE~220-240V 50Hz
R	2/PE~220-230V 60Hz
S	3/N/PE~400/230V 50Hz
T	3/PE~230V 60Hz

## 1.2 Product codes

Product code	Full name
Model codes	
Type codes	
71	71
71G	71G
Accessory codes	
sc9	STEAM CONDENSER - LC 91
csa	CONVEYOR SPEED ADJUSTING- LC 101
d92	DRYER - LC 90/2
cw	ADDITIONAL BOILER FOR COLD WATER SUPPLY
dvgw	DVGW VALVE SYSTEM
ti	TANKS INSULATION
ds	DOUBLE SKIN
bp	BOOSTER PUMP
sdn3	DISPENSERS SYSTEM SDN-3



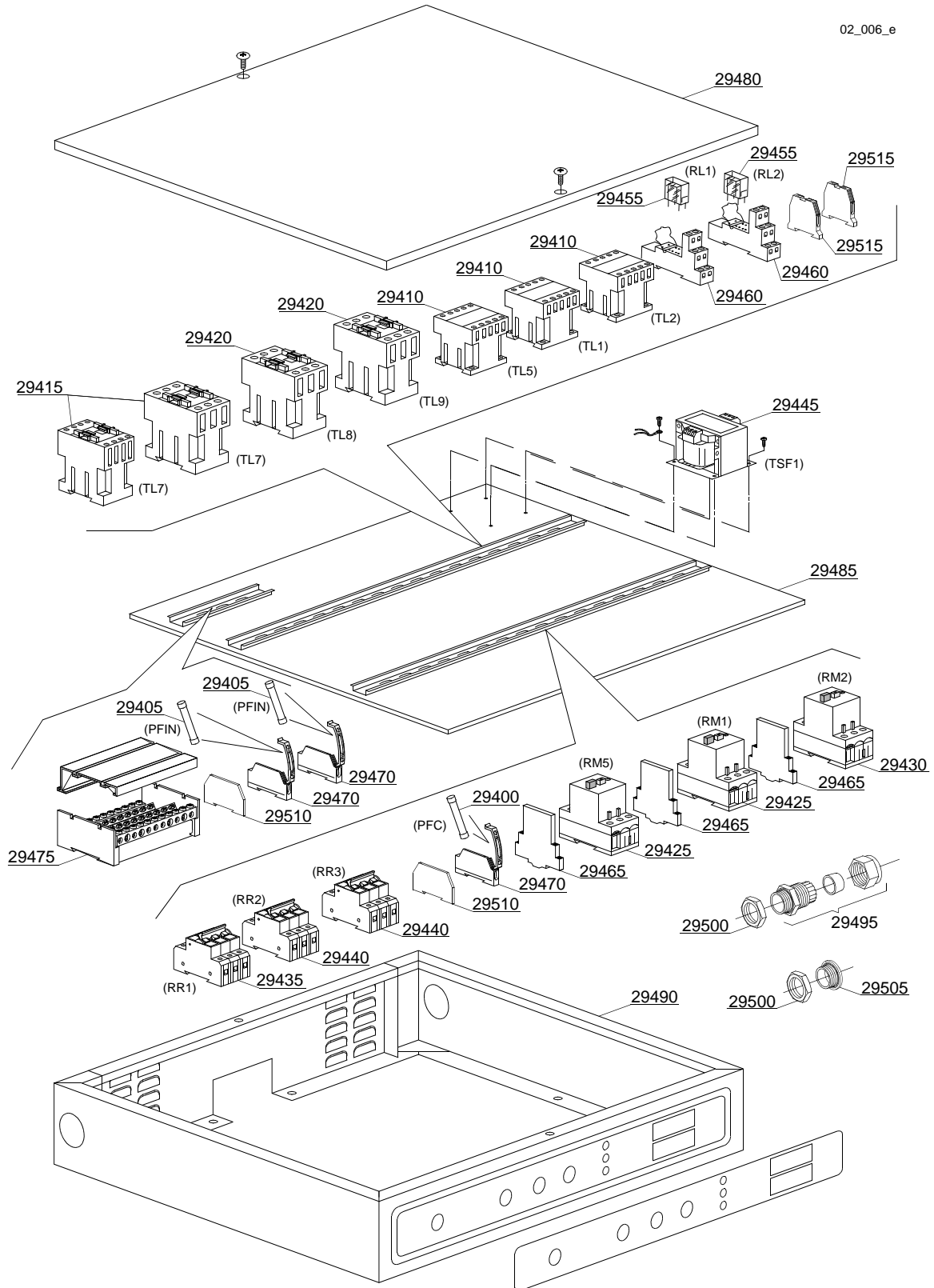
01\_001\_e

ID	P-code	Model	Type	Accessory	Voltage	Description
MODULE:Control Panel						
1	2000402		71			Thermometer
5	2000430		71			Safety thermostat
10	3002031		71			Selector with knob
15	3002050		71			Emergency button
20	3002053		71			Push button green
25	3002055		71			Button red
30	3002065		71			Signal light red
35	3002067		71			Signal light yellow
40	15874		71			Green main switch
45	10707/1		71			Thermostat 0 - 90° (TB2)
50	3009114		71			Assembly plate
55	15812		71			Starter electric component
60	3002054		71			Green contact piece (NO)
65	3002056		71			Red contact piece (NC)
70	3002066		71			Signal light green
75	15815		71			Support square single
80	15824		71			Green-orange cam
85	2000401		71			Thermometer probe
90	15849		71			Switch assembly (PM2)



## Spare parts

ID	P-code	Model	Type	Accessory	Voltage	Description
MODULE:Control Panel						
29600	10500005		71G			Thermometer
29605	2000430		71G			Safety thermostat
29610	3002031		71G			Selector with knob
29615	3002050		71G			Emergency button
29620	3002053		71G			Push button green
29625	3002055		71G			Button red
29630	3002065		71G			Signal light red
29635	3002067		71G			Signal light yellow
29640	15874		71G			Green main switch
29645	10707/1		71G			Thermostat 0 - 90° (TB2)
29650	3009114		71G			Assembly plate
29655	15812		71G			Starter electric component
29660	3002054		71G			Green contact piece (NO)
29665	3002056		71G			Red contact piece (NC)
29670	3002066		71G			Signal light green
29675	15815		71G			Support square single
29680	15824		71G			Green-orange cam
29685	15849		71G			Switch assembly (PM2)
29690	88939		71G			Comand parts pannel



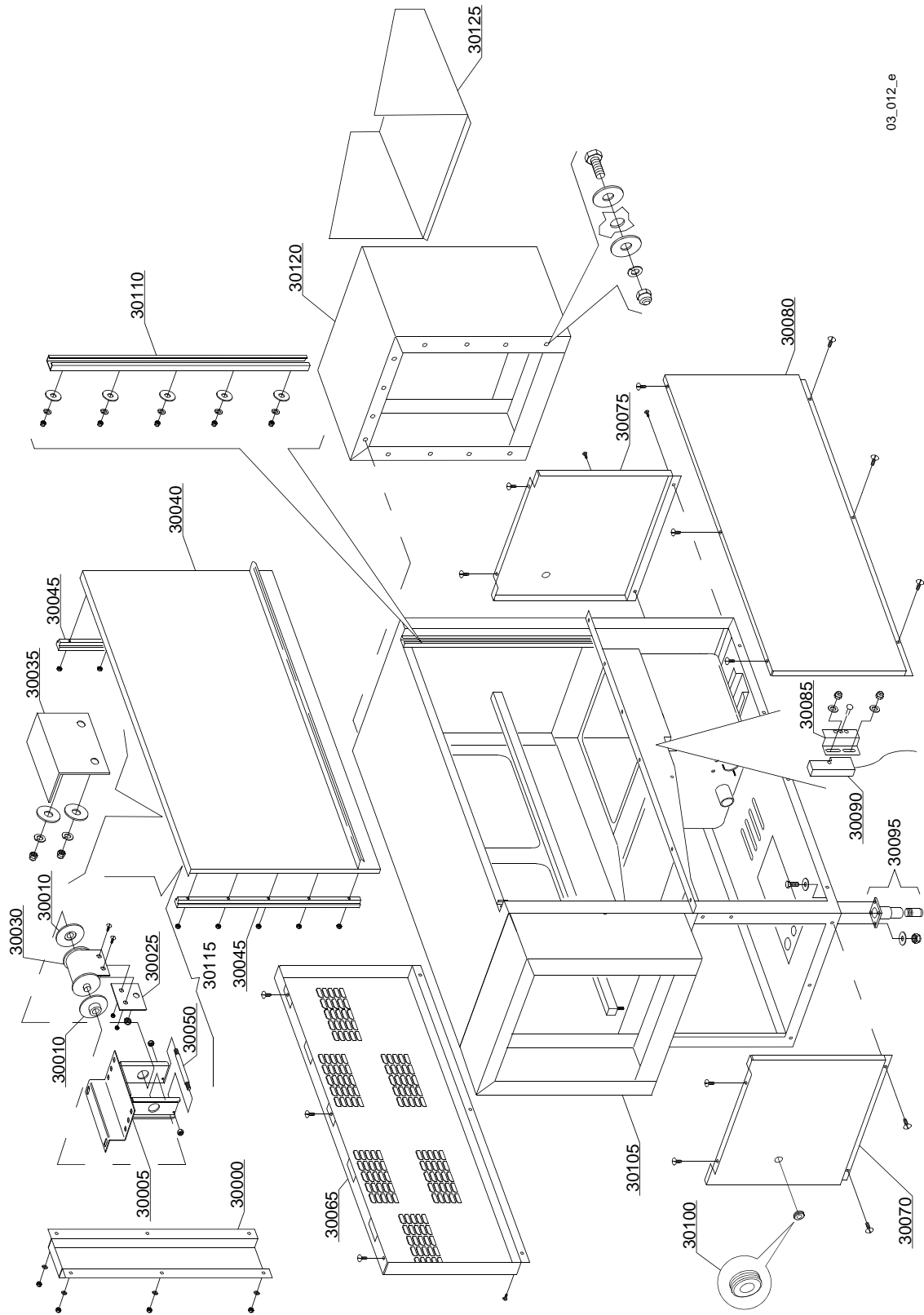
## Spare parts

ID	P-code	Model	Type	Accessory	Voltage	Description
MODULE:Electric parts						
29400	15160		71		A	Fuse 5x20 10A
29405	15163		71		A	Fuse 5x20 1A
29410	2000370		71		A	Contactactor MC9
29415	2000380		71		A	Contactactor BF12 (heating element < 9 kW)
29415	2000385		71		A	Contactactor BF20 (heating element > 9 kW)
29420	2000385		71		A	Contactactor BF20
29425	2000390		71		A	Motorprotector 1 - 1.6A
29430	2000400		71		A	Motorprotector 4 - 6.3A
29435	2000403		71		A	Automatic fuse C20 (heating element < 9kW)
29435	2000404		71		A	Automatic fuse C25 (heating element > 9kW)
29440	2000403		71		A	Automatic fuse C20 (heating element < 9kW)
29440	2000404		71		A	Automatic fuse C25 (heating element > 9kW)
29445	3006061		71		A	Transformer 200VA
29445	3006060		71		A	Transformer 160VA
29455	3006078		71		A	Relay
29460	3006079		71		A	Base for relay
29465	3006080		71		A	Auxiliary contact LMS25
29470	3006147		71		A	Fuse holder
29475	3006154		71		A	Terminal board
29480	3009457		71		A	Control panel cover
29485	3009458		71		A	Electric parts pannel
29490	3019033		71		A	Comand parts pannel
29495	80419		71		A	Cable-fastener PG29
29500	80420		71		A	Lock nut
29505	80421		71		A	Plug PG29
29510	3006144		71		A	Fuse holder covering plate
29515	3006092		71		A	Clamp 4mm



## Spare parts

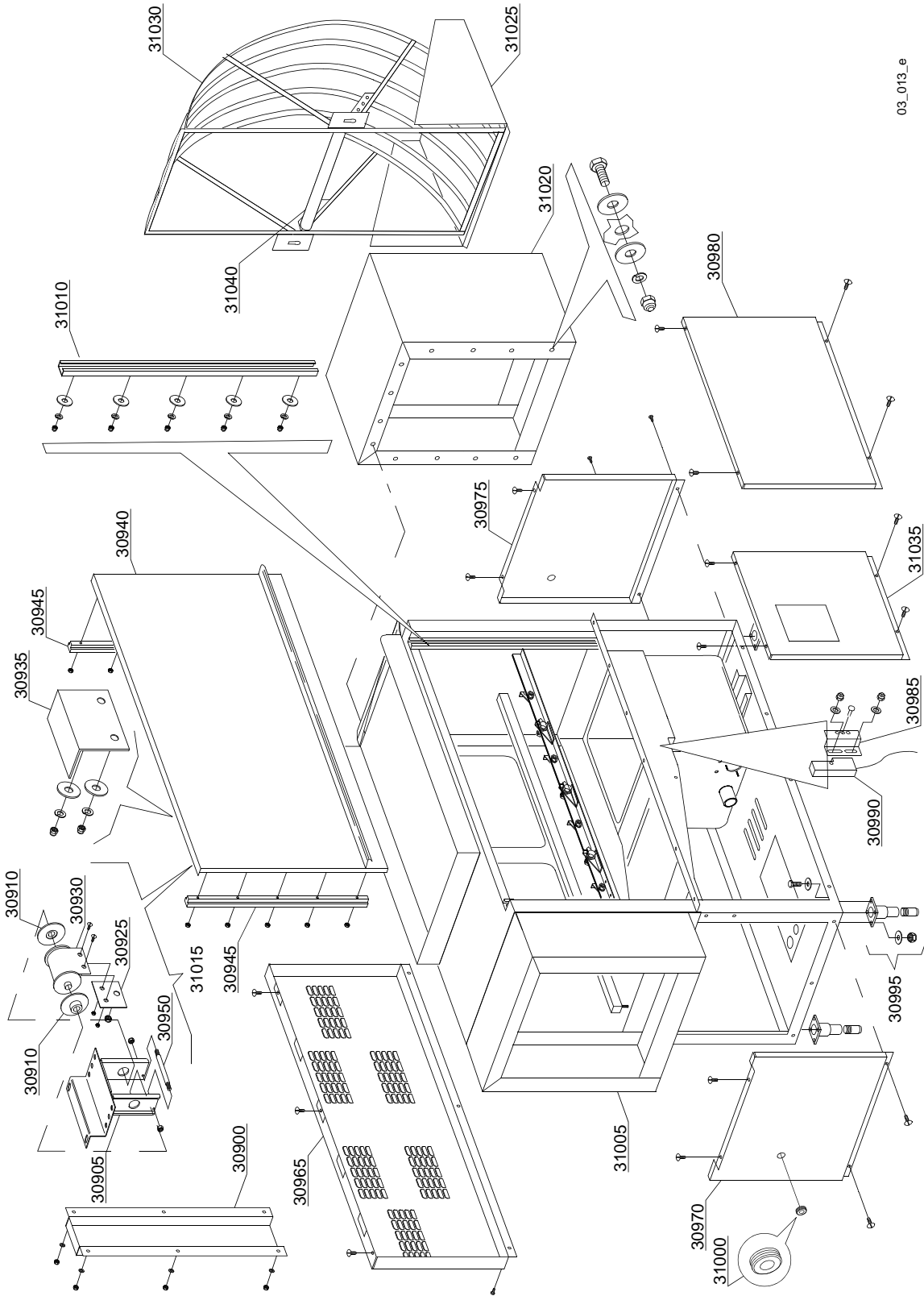
ID	P-code	Model	Type	Accessory	Voltage	Description
MODULE:Electric parts						
29800	15160		71G		A	Fuse 5x20 10A
29805	15163		71G		A	Fuse 5x20 1A
29810	3006090		71G		A	Clamp 35 mm
29815	3006091		71G		A	Earth clamp 35 mm
29820	3006066		71G		A	Contacteur
29825	3006072		71G		A	Double clamp 4 mm
29830	2000370		71G		A	Contacteur MC9
29835	2000380		71G		A	Contacteur BF12 (heating element < 9 kW)
29835	2000385		71G		A	Contacteur BF20 (heating element > 9 kW)
29840	2000385		71G		A	Contacteur BF20
29845	2000390		71G		A	Motorprotector 1 - 1.6A
29850	2000400		71G		A	Motorprotector 4-6,3A
29855	3006085		71G		A	2 position electrical contactor LMS25
29855	3006086		71G		A	3 position electrical contactor LMS25
29855	3006100		71G		A	4 position electrical contactor LMS25
29855	3006101		71G		A	5 position electrical contactor LMS25
29860	3006087		71G		A	Clamp
29865	2000403		71G		A	Automatic fuse C20 (heating element < 9kW)
29865	2000404		71G		A	Automatic fuse C25 (heating element > 9kW)
29870	3006061		71G		A	Transformer 200VA
29875	3006078		71G		A	Relay
29880	3006079		71G		A	Base for relay
29885	3006080		71G		A	Auxiliary contact LMS25
29890	3006147		71G		A	Fuse holder
29895	3009262		71G		A	Electrical box cover
29900	3009263		71G		A	Electric parts panel
29905	3009390		71G		A	Electric board panel support
29910	80419		71G		A	Cable-fastener PG29
29915	80420		71G		A	Lock nut
29920	80421		71G		A	Plug PG29
29925	3006144		71G		A	Fuse holder covering plate
29930	3006071		71G		A	Double clamp covering plate 4mm
29935	3006084		71G		A	Clamp covering plate 35mm
29940	13317		71G		A	Fairlead
29945	10300401		71G		A	Earth clamp 4mm



03\_012\_e

## Spare parts

ID	P-code	Model	Type	Accessory	Voltage	Description
MODULE:General parts						
30000	3009322		71			Rear cover
30005	3009909		71			Spring support
30010	3004012		71			Spring holder
30025	3009555		71			Spring clamping plate
30030	3004011		71			Door spring BBSR 23
30035	3009269		71			Door stop
30040	3009404		71			Door assembly
30045	3004026		71			Door guide
30050	3003958		71			Pin
30065	3009173		71			Rear panel
30070	3009189		71			Cover left
30075	3009188		71			Cover right
30080	3009465		71			Front cover
30085	3009112		71			Microswitch support
30090	3003112		71			Door microswitch
30095	80116		71			Foot
30100	13329		71			Fairlead
30105	3019021		71			Splash zone
30110	3009033		71			Slideways
30115	3009905		71			Spring assembly BBSR 23
30120	999910061		71			Splash zone
30125	3009365		71			Chute



03\_013\_e

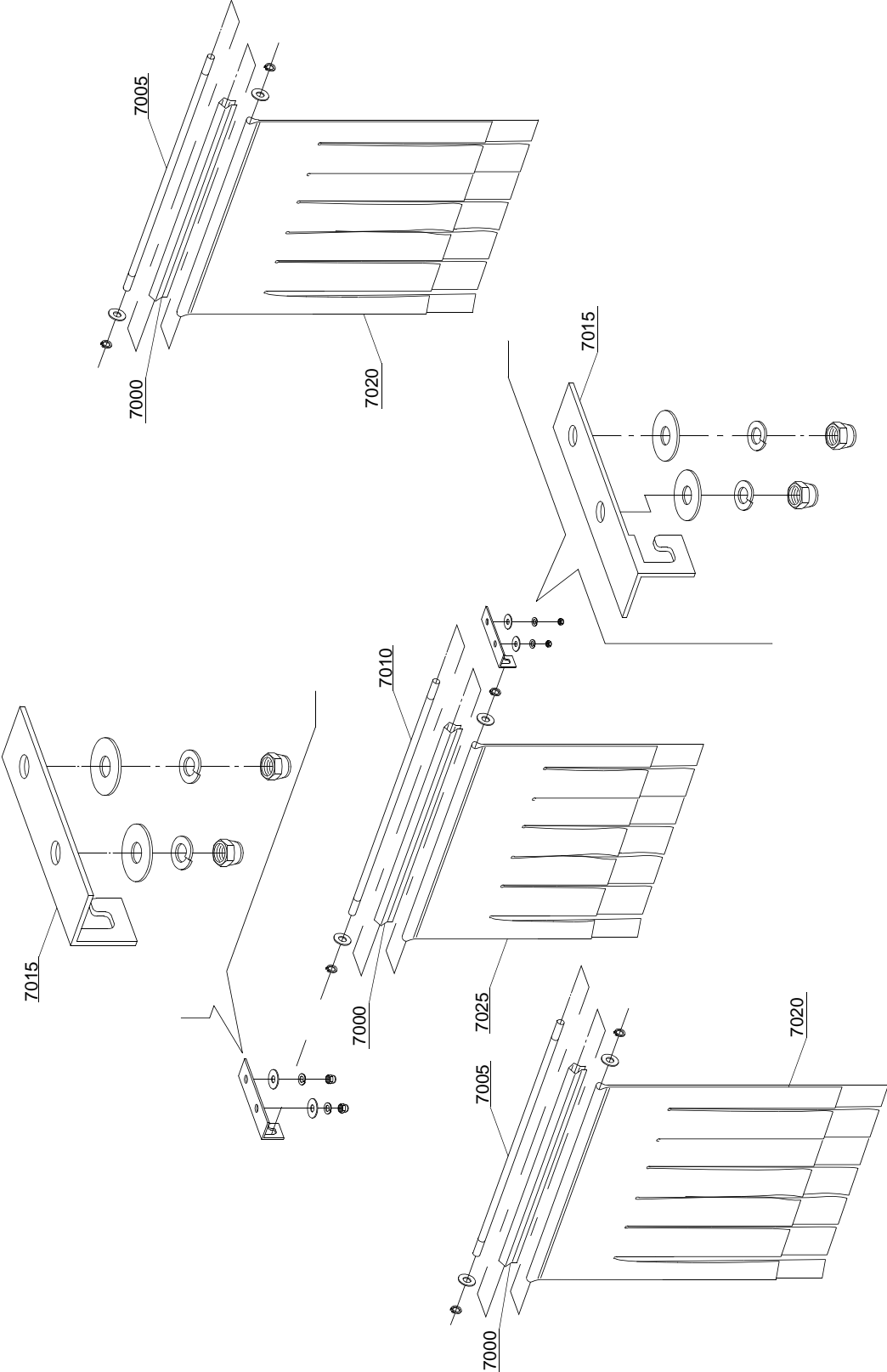
## Spare parts

ID	P-code	Model	Type	Accessory	Voltage	Description
MODULE:General parts						
30900	3009322		71G			Rear cover
30905	3009909		71G			Spring support
30910	3004012		71G			Spring holder
30925	3009555		71G			Spring clamping plate
30930	3004011		71G			Door spring BBSR 23
30935	3009269		71G			Door stop
30940	3009404		71G			Door assembly
30945	3004026		71G			Door guide
30950	3003958		71G			Pin
30965	3009173		71G			Rear panel
30970	3009189		71G			Cover left
30975	3009188		71G			Cover right
30980	3009180		71G			Front cover
30980	3009181		71G			Front cover
30985	3009112		71G			Microswitch support
30990	3003112		71G			Door microswitch
30995	80116		71G			Foot
31000	13329		71G			Fairlead
31005	3019021		71G			Splash zone
31010	3009033		71G			Slideways
31015	3009905		71G			Spring assembly BBSR 23
31020	999910061		71G			Splash zone
31025	3009365		71G			Chute
31030	3004133		71G			Turning baskets device
31035	3009184		71G			Lower door for electric parts holder
31040	2990001		71G			Plastic roller with stainless steel axle



## Spare parts

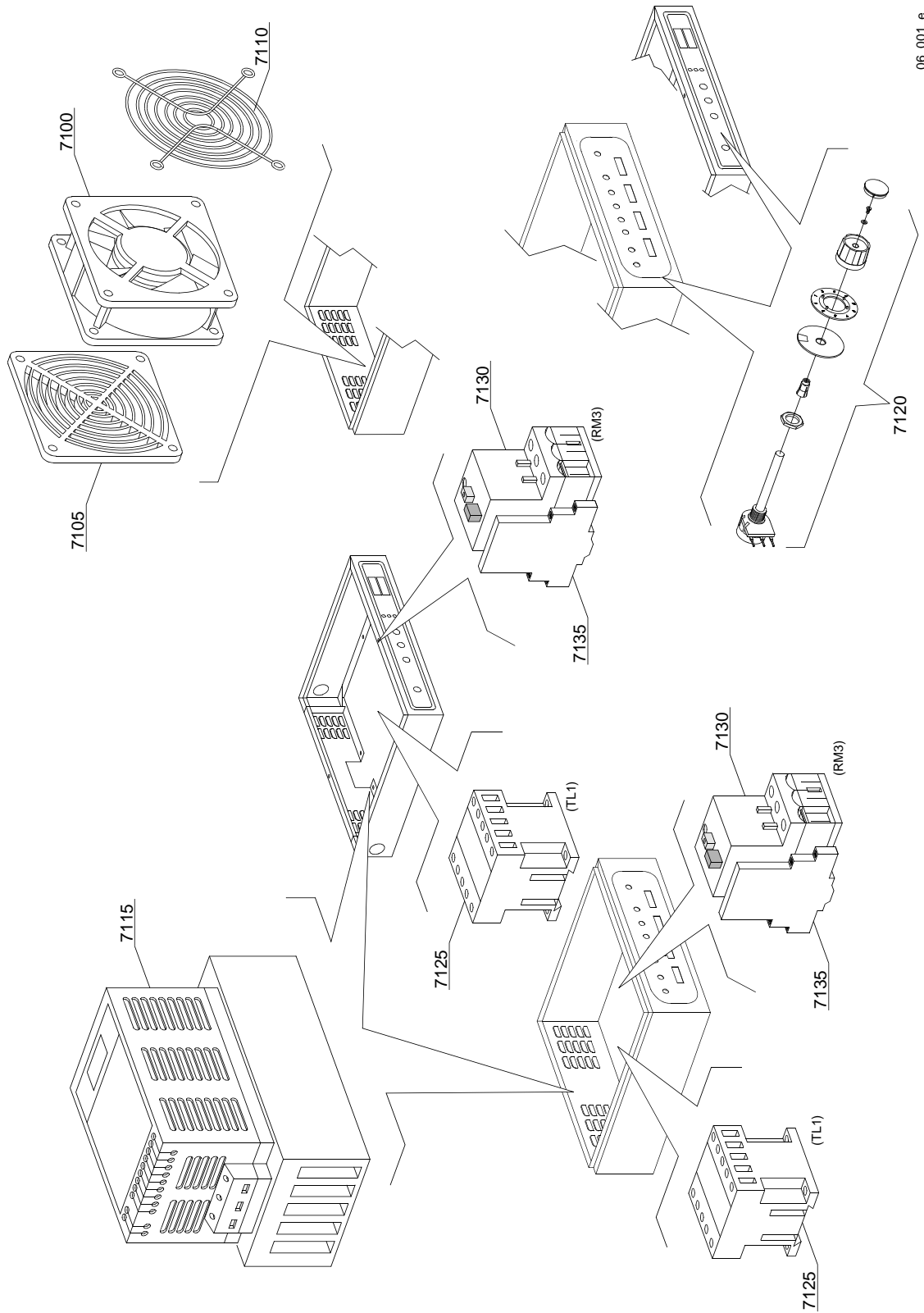
ID	P-code	Model	Type	Accessory	Voltage	Description
MODULE:Economizer components						
30200	3004124		71,71G			Right economizer
30205	3004125		71,71G			Left economizer
30210	3003061		71,71G			Economizer support
30215	3003058		71,71G			Magnet holder
30220	3003113		71,71G			Magnet
30225	3009112		71,71G			Door microswitch support
30230	3003112		71,71G			Door microswitch



03\_201\_e

---

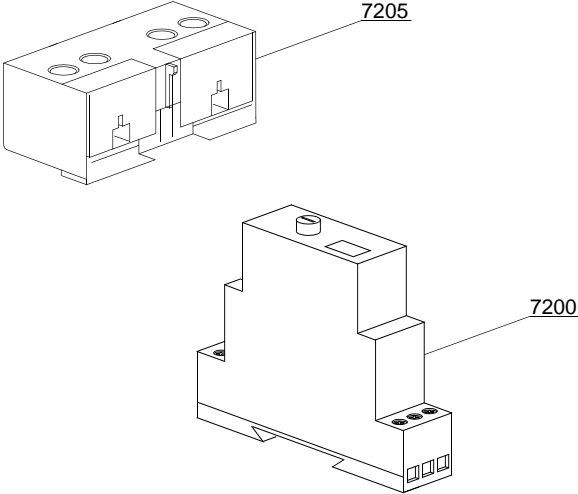
ID	P-code	Model	Type	Accessory	Voltage	Description
MODULE: Curtains group components						
7000	3009109		71,71G			Curtain moulding
7005	3004053		71,71G			Curtain rod short
7010	3004052		71,71G			Curtain rod long
7015	3009110		71,71G			Curtain support
7020	3004050		71,71G			Curtain long
7025	3004051		71,71G			Curtain short



06\_001\_e

## Spare parts

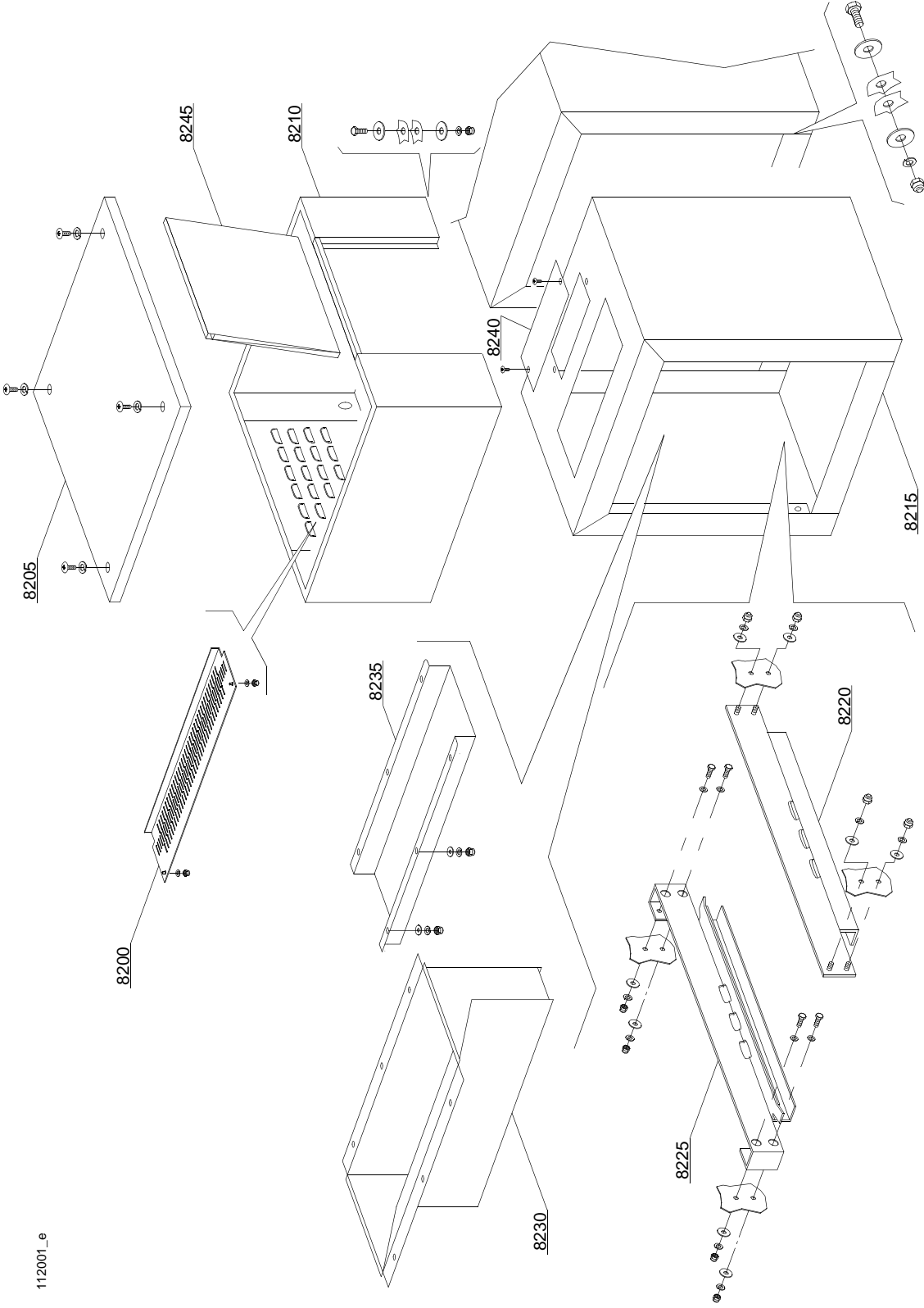
ID	P-code	Model	Type	Accessory	Voltage	Description
MODULE:Inverter						
7100	3000118		71,71G	csa	A	Impeller fan
7105	3000118/A		71,71G	csa	A	Filter
7110	3000118/B		71,71G	csa	A	Grid
7115	3000117		71,71G	csa	A	Inverter 0,37kW
7120	3000119		71,71G	csa	A	Potentiometer with knob
7125	2000370		71,71G	csa	A	Contactora MC9
7130	2000400		71,71G	csa	A	Motorprotector 4-6,3A
7135	3006080		71,71G	csa	A	Auxiliary contact LMS25



07\_001\_e

## Spare parts

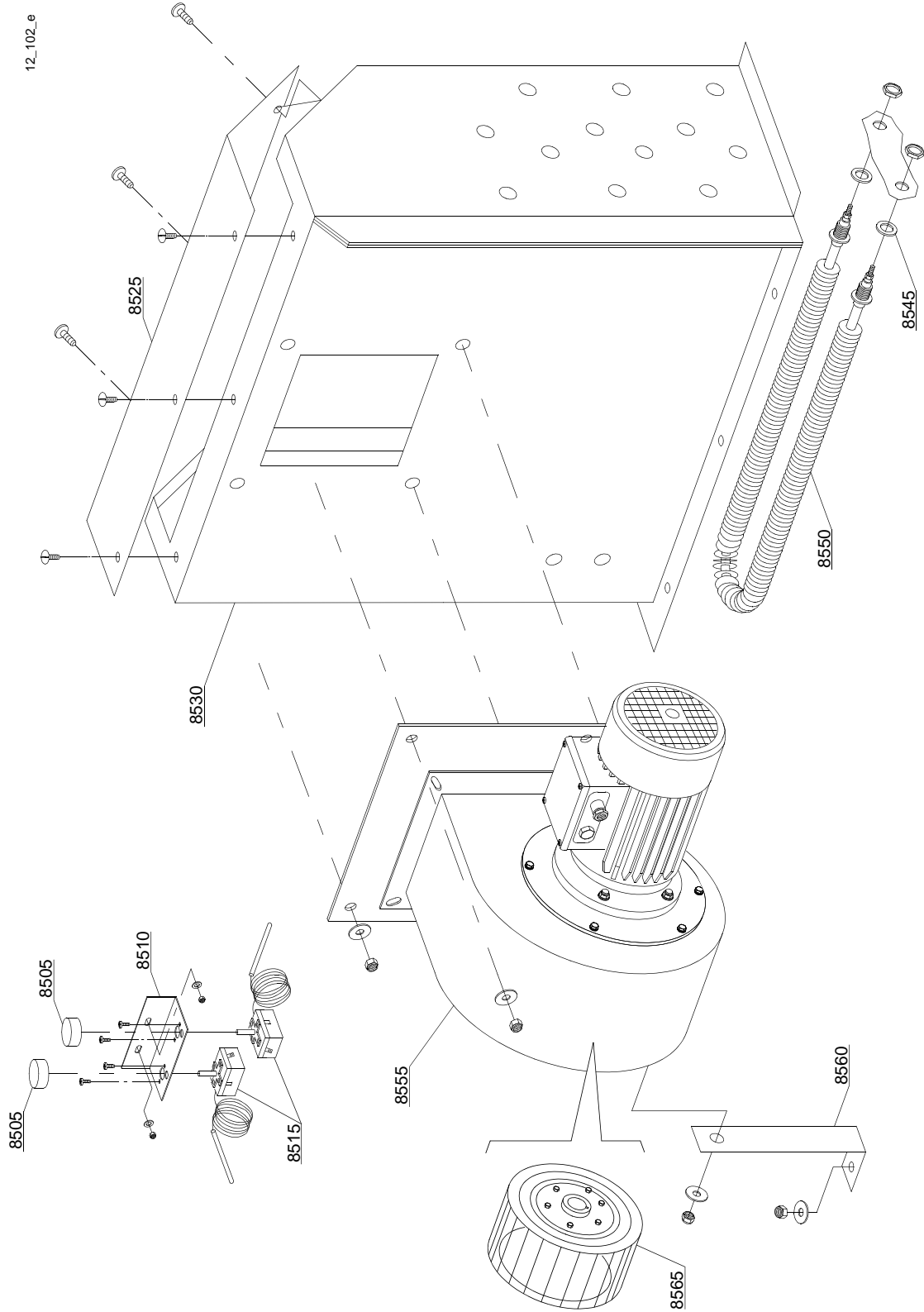
ID	P-code	Model	Type	Accessory	Voltage	Description
MODULE:Time relay						
7200	3006225		71,71G	sc9,d92	A	Time relay 24V
7205	3006068		71,71G	sc9,d92	A	MC9 auxiliary contact 1NO-1NC
7205	3002057		71,71G	sc9,d92	A	MC9 auxiliary contact 2NO
7205	3002052		71,71G	sc9,d92	A	MC9 auxiliary contact 2NC



112001\_e

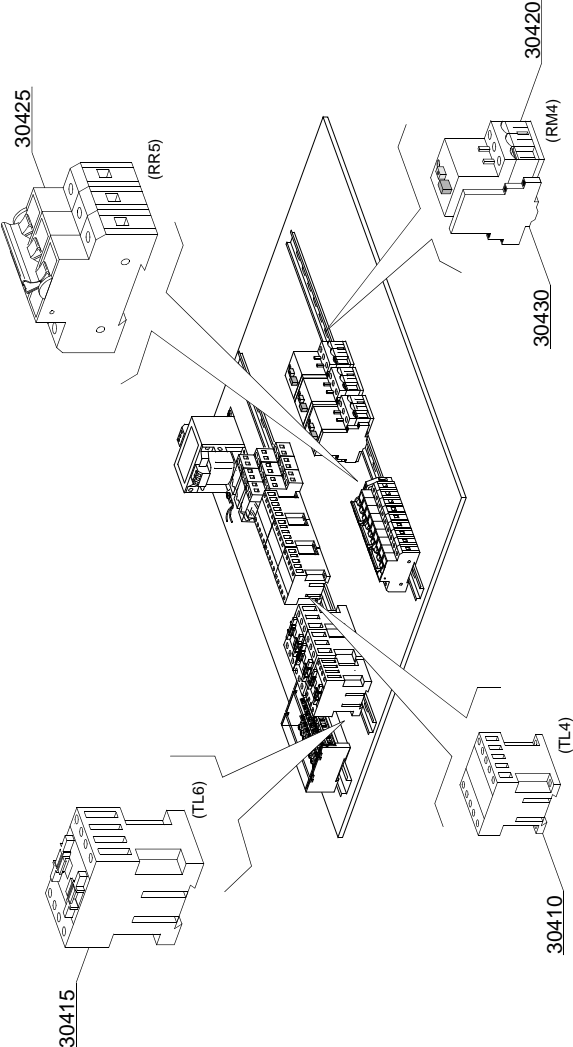
## Spare parts

ID	P-code	Model	Type	Accessory	Voltage	Description
MODULE:Dryer LC 90/2 (12kW) - part 1						
8200	3009362/A		71	d92		Protection
8205	3009267		71	d92		Cover panel
8210	3009484		71	d92		Complete body
8215	3009485		71	d92		Dryer module
8220	3009047		71	d92		Front slideways
8225	3009057		71	d92		Back slideways
8230	3009492		71	d92		Flow conveyor
8240	3009100		71	d92		Air covering
8245	3009268		71	d92		Dryer carter lockup



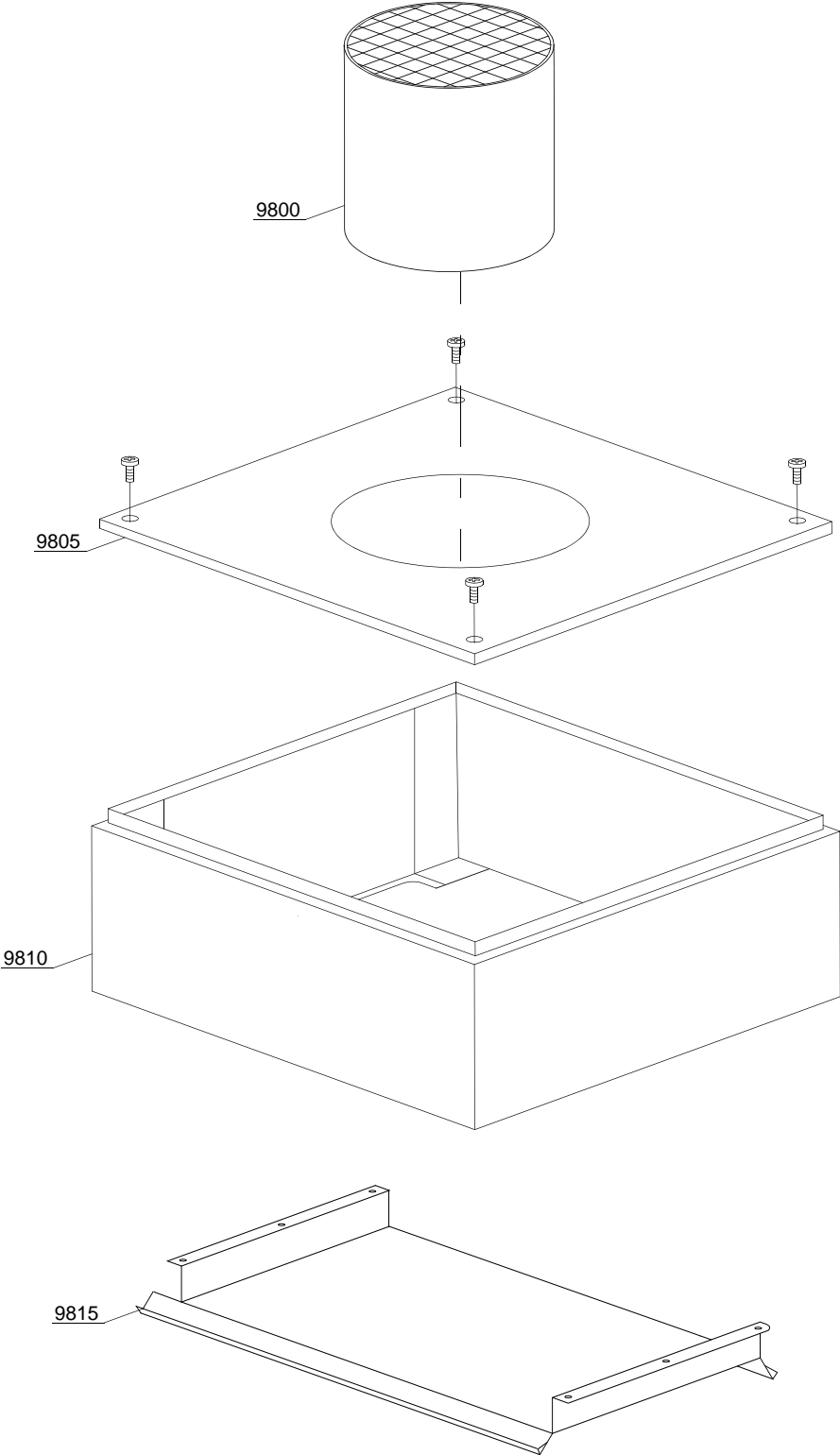


112107\_e



## Spare parts

ID	P-code	Model	Type	Accessory	Voltage	Description
MODULE:Dryer LC 90/2 (12kW) - electric components						
30410	2000370		71	d92	A	Contactora MC9
30415	2000385		71	d92	A	Contactora BF20 (LC90/2 - 12kW)
30420	2000394		71	d92	A	Motorprotector 2,5-4A (Motorfan 0,75 kW)
30420	2000400		71	d92	A	Motorprotector 4-6,3A (Motorfan 1,5 kW)
30425	2000404		71	d92	A	Automatic fuse C25 (LC90/2 - 12kW)
30430	3006080		71	d92	A	Auxiliary contact LMS25



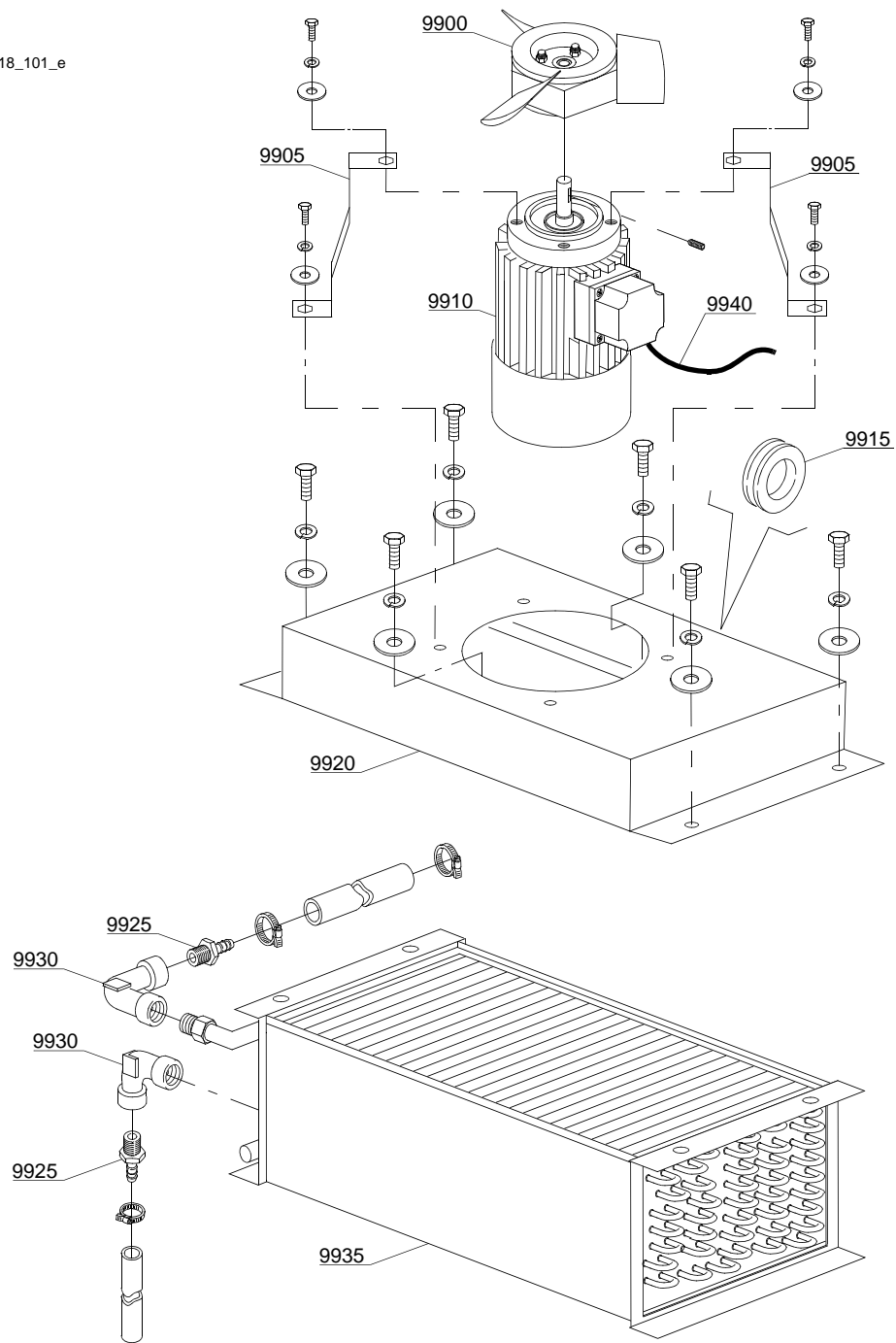
18\_001\_e

## Spare parts

---

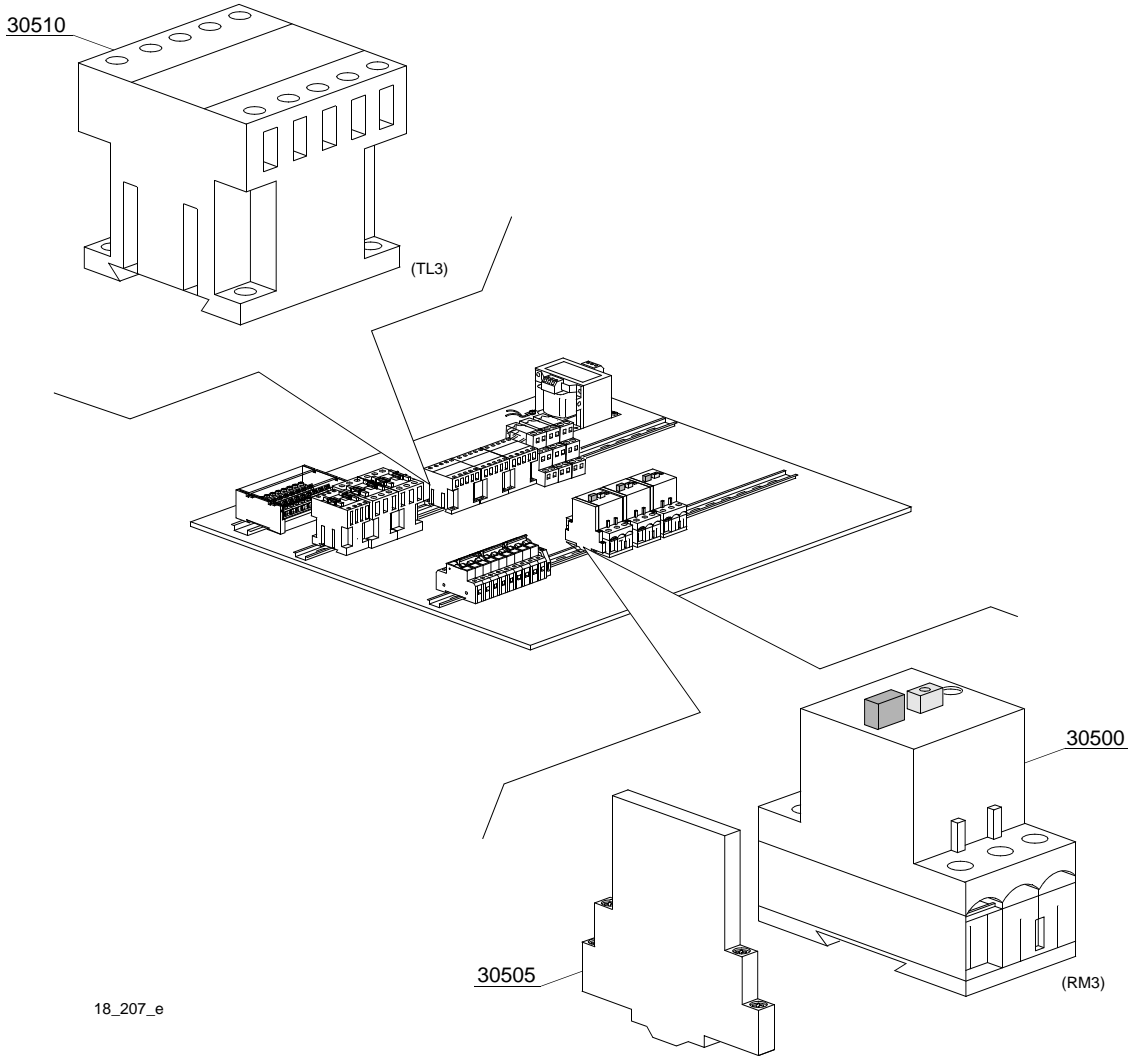
ID	P-code	Model	Type	Accessory	Voltage	Description
MODULE:Steam condenser - part 1						
9800	3009499		71	sc9		Chimney
9805	3009306		71	sc9		Cover with hole
9810	3009502		71	sc9		Complete body
9815	3009090		71	sc9		Suction group

18\_101\_e



## Spare parts

ID	P-code	Model	Type	Accessory	Voltage	Description
MODULE:Steam condenser - part 2						
9900	3000125		71	sc9		Impeller fan
9905	3009106		71	sc9		Motor holder
9910	3000120		71	sc9	A	Motor 0.18KW
9915	13329		71	sc9		Fairlead
9920	3009079		71	sc9		Steam condenser base
9925	12023		71	sc9		Hose holder
9930	3002139		71	sc9		Elbow
9935	3000155		71	sc9		Heating recovery battery
9940	15184		71	sc9		Cable

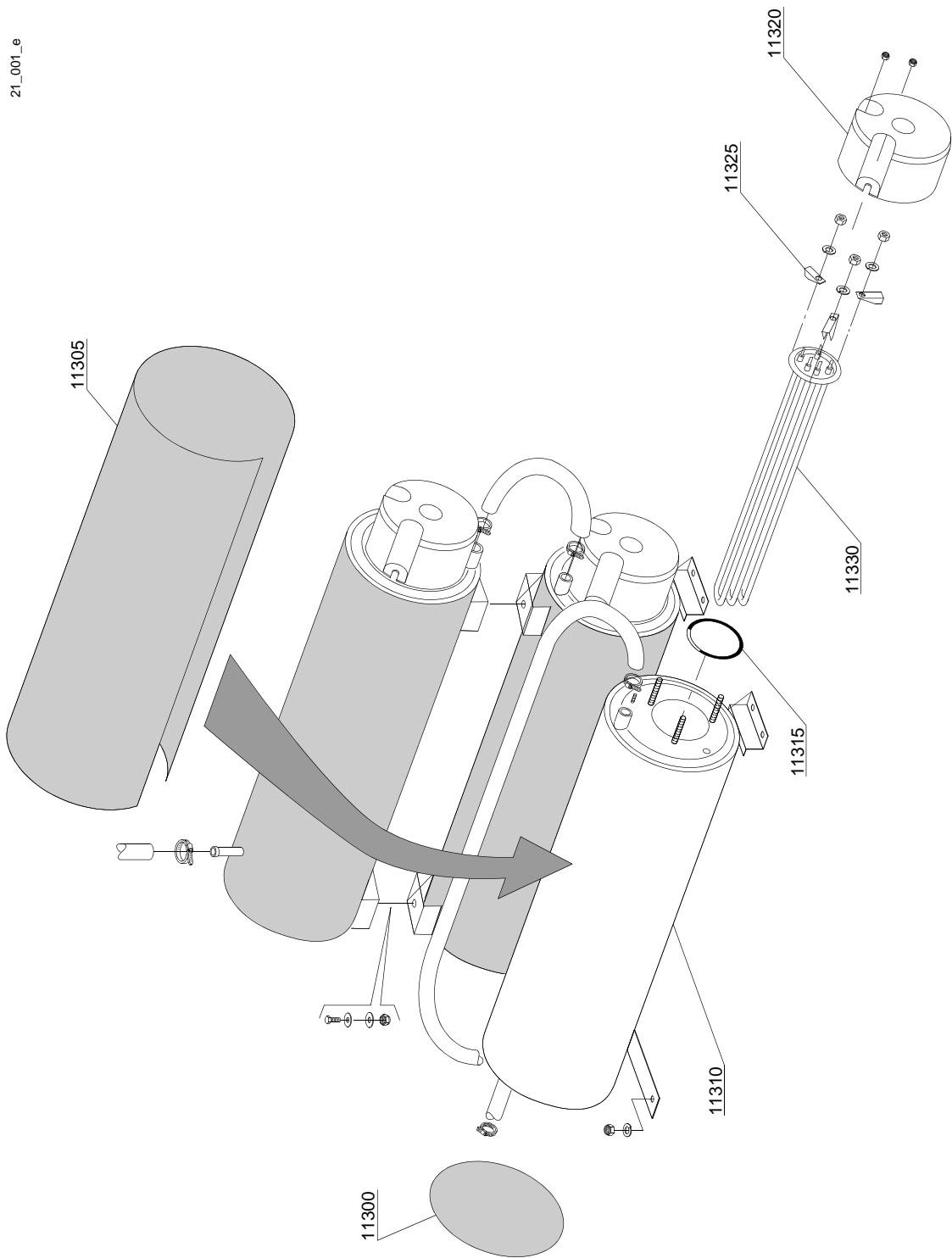


18\_207\_e

## Spare parts

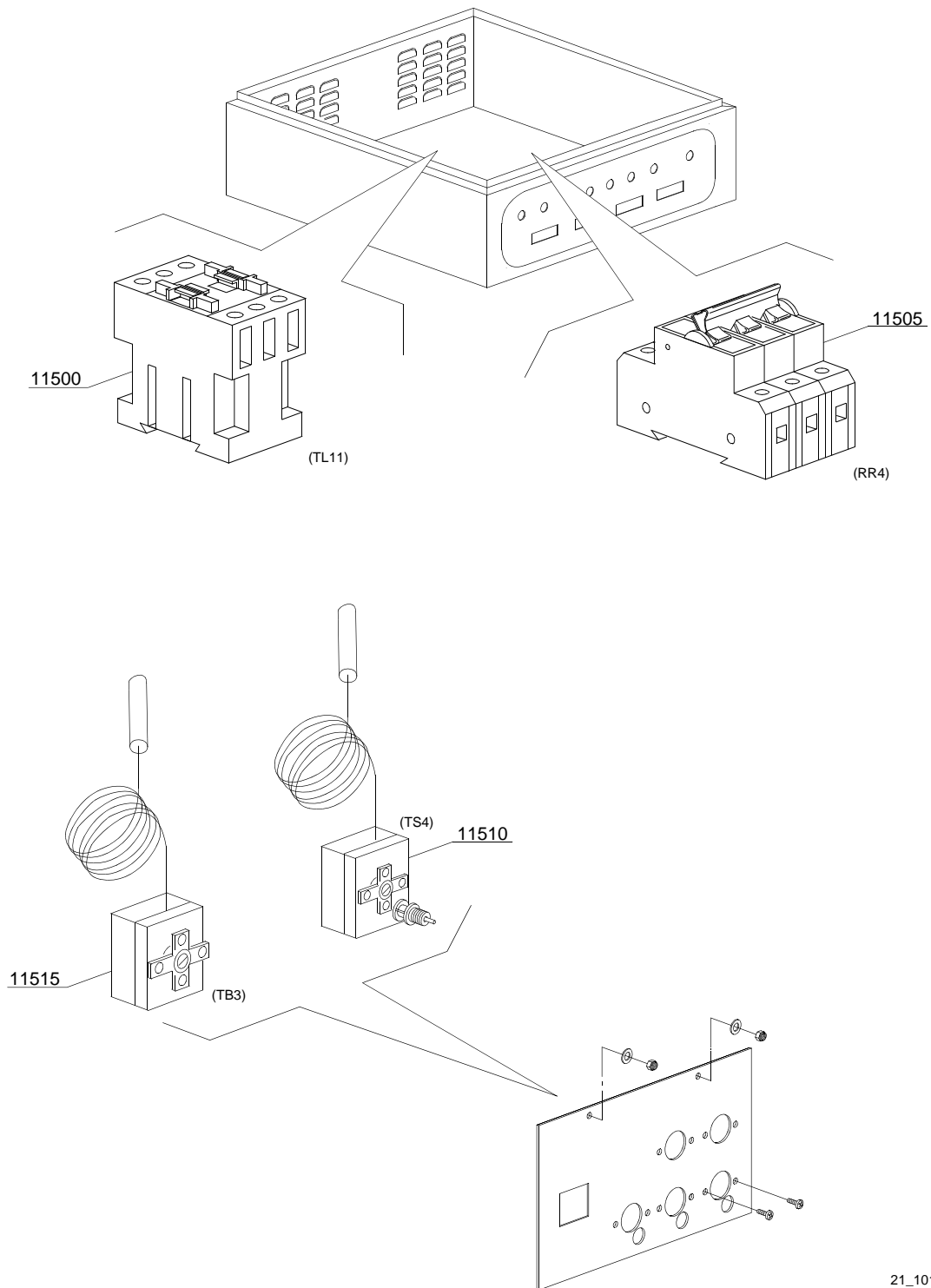
---

ID	P-code	Model	Type	Accessory	Voltage	Description
MODULE:Steam condenser - part 3						
30500	2000390		71	sc9	A	Motorprotector 1 - 1.6A
30505	3006080		71	sc9	A	Auxiliary contact LMS25
30510	2000370		71	sc9	A	Contactore MC9



## Spare parts

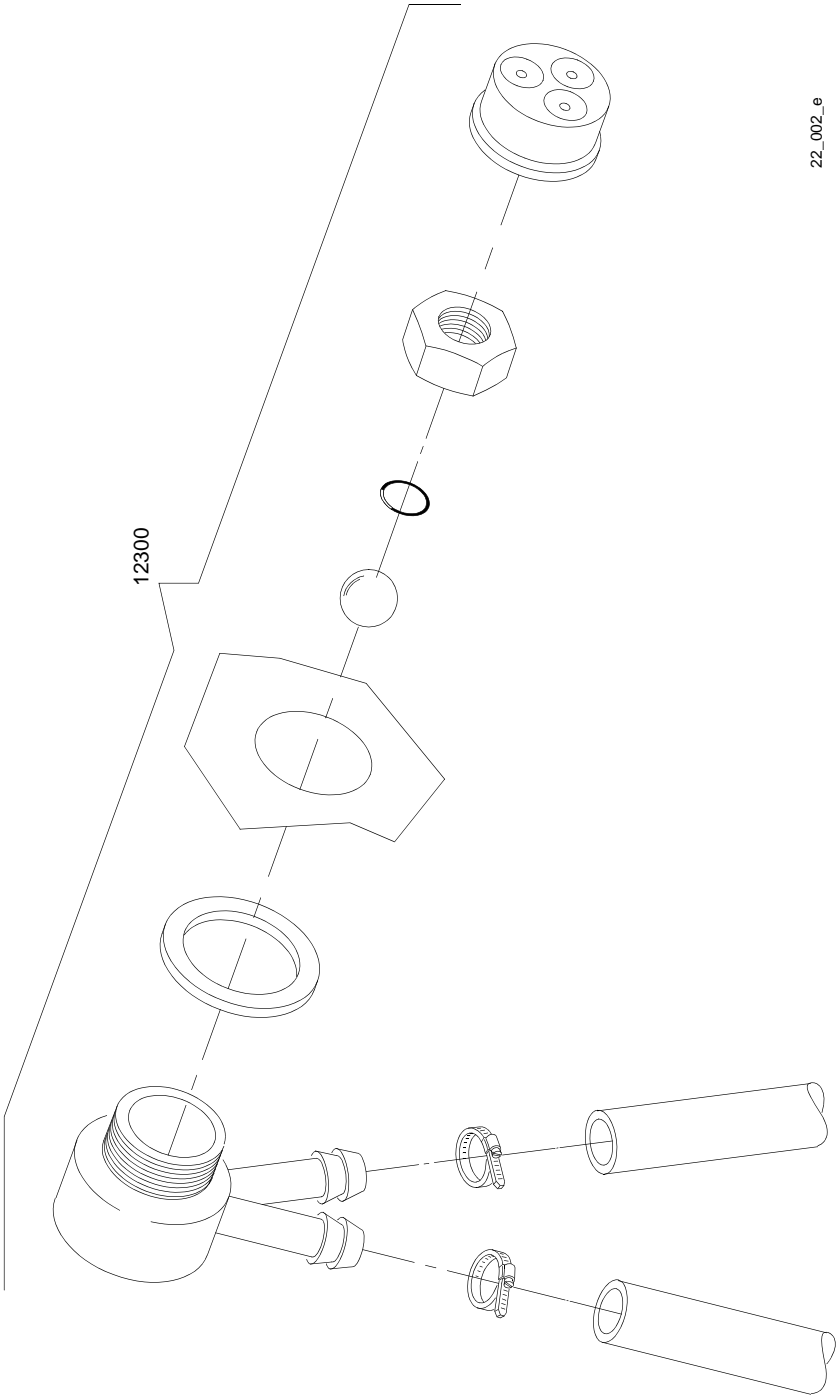
ID	P-code	Model	Type	Accessory	Voltage	Description
MODULE:Additional boiler components						
11300	75205		71,71G	cw		Bottom boiler insulating
11305	30002030		71,71G	cw		Boiler insulating
11310	3007012		71,71G	cw		Boiler
11315	13015		71,71G	cw		O-ring 160 (6225)
11320	75311		71,71G	cw		Heating element cover
11325	16045		71,71G	cw		Heating element support Ø6,3
11330	30001010		71,71G	cw	A	Heating element 6kW
11330	30001011		71,71G	cw	A	Heating element 9kW
11330	30001011/A		71,71G	cw	A	Heating element 12kW
11330	30001011/B		71,71G	cw	A	Heating element 14kW



21\_101\_€

## Spare parts

ID	P-code	Model	Type	Accessory	Voltage	Description
MODULE:Additional boiler: electrical components						
11500	2000380		71,71G	cw	A	Contactora BF12 (heating element < 9 kW)
11500	2000385		71,71G	cw	A	Contactora BF20 (heating element > 9 kW)
11505	2000403		71,71G	cw	A	Automatic fuse C20 (heating element < 9 kW)
11505	2000404		71,71G	cw	A	Automatic fuse C25 (heating element > 9 kW)
11510	2000430		71,71G	cw		Safety thermostat
11515	10707/1		71,71G	cw		Thermostat 0 - 90° (TB2)



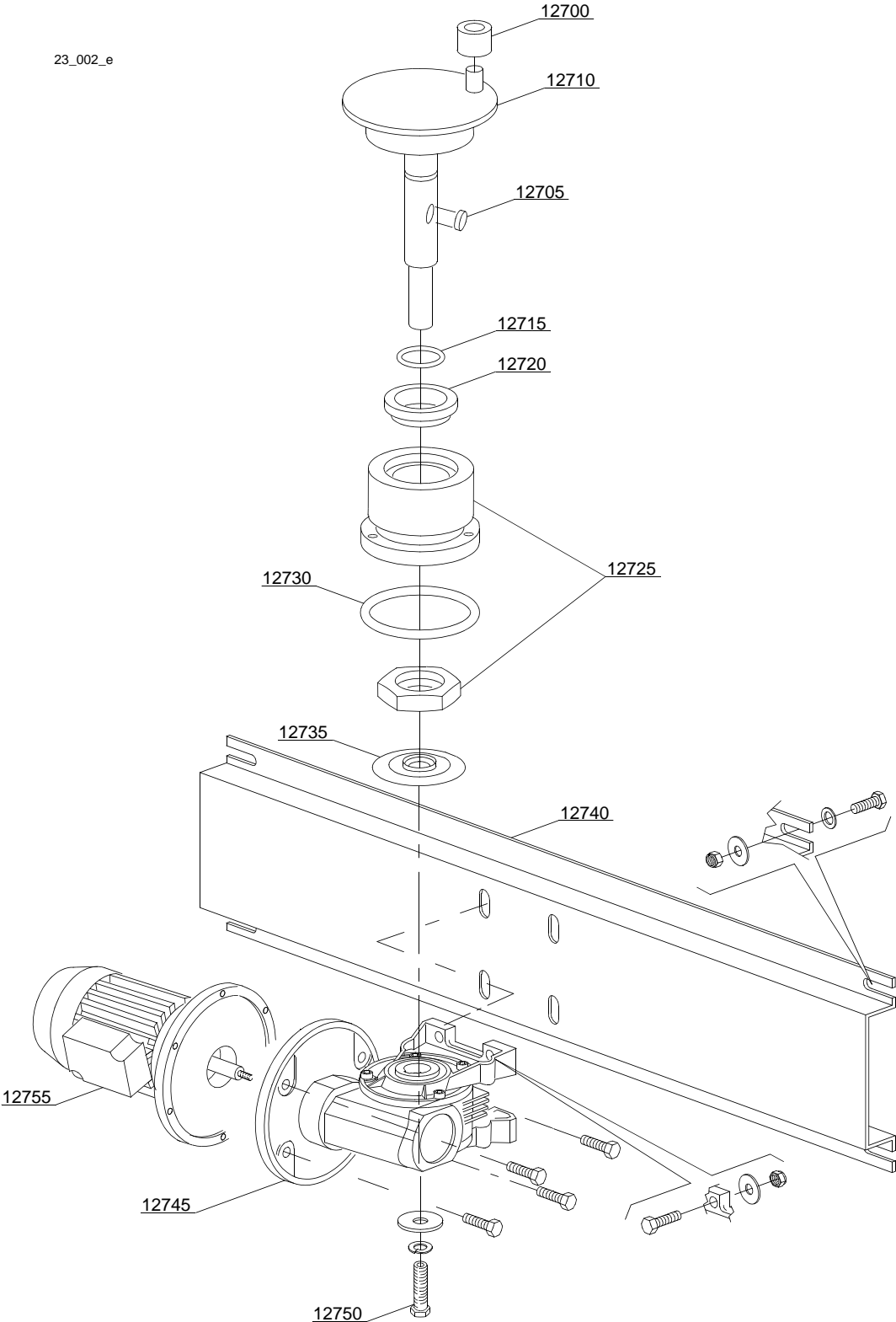
22\_002\_e

**Spare parts**

---

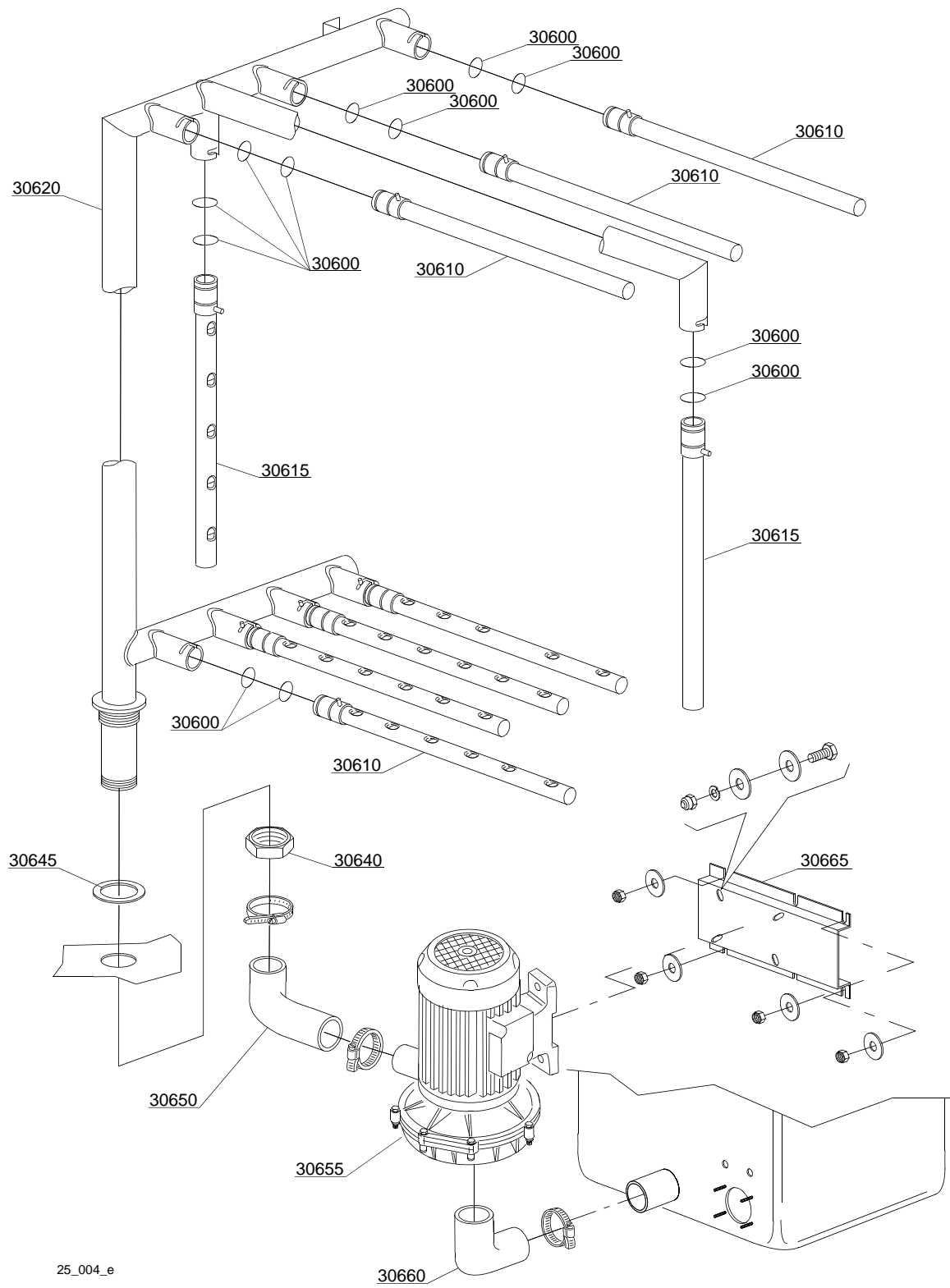
ID	P-code	Model	Type	Accessory	Voltage	Description
MODULE:DVGW valve						
12300	999900006		71,71G	dvw		DVGW valvola assembly

23\_002\_e



## Spare parts

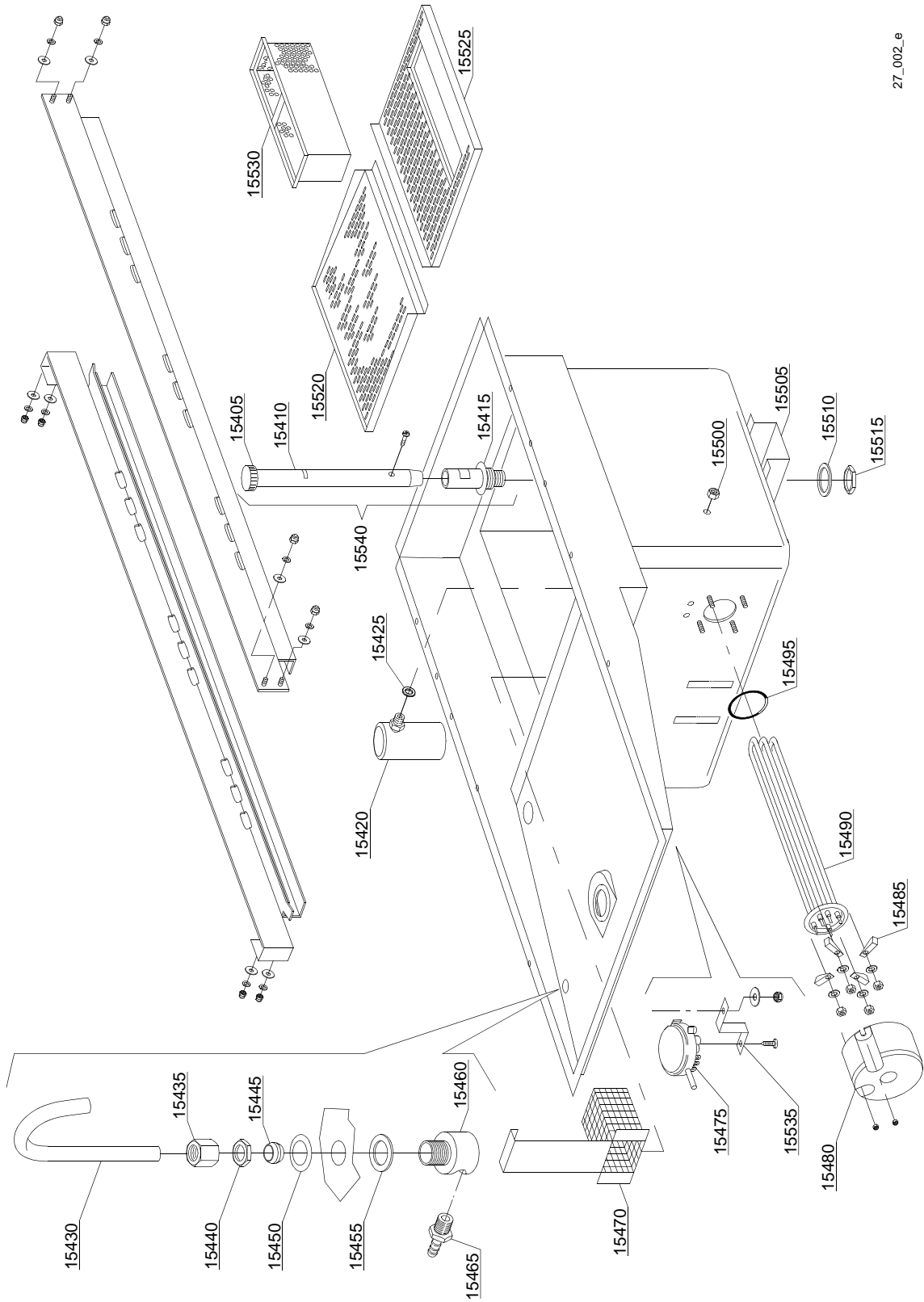
ID	P-code	Model	Type	Accessory	Voltage	Description
MODULE:Motorgear components module 1300						
12700	3003012		71,71G			Conveyor roller
12705	2001046		71,71G			Key
12710	3003116		71,71G			Crank shaft
12715	13023		71,71G			O-ring 131 (4093)
12720	13024		71,71G			Oil splash guard DEM 40 TC 30x42x7 with spring
12725	3004131		71,71G			Coupling part serie
12730	13015		71,71G			O-ring 160 (6225)
12735	3004161		71,71G			Protection disk
12740	3009060		71,71G			Motorgear support
12745	3000210		71,71G			Gear right 1:80
12745	3000211		71,71G			Gear left 1:80
12745	3000216		71,71G			Gear right 1:36
12745	3000217		71,71G			Gear left 1:36
12750	11165		71,71G			Screw
12755	3000107		71,71G		A	Conveyor motor
12755	3000108		71,71G			Conveyor motor
12755	3000110		71,71G		A	Conveyor motor
12755	3000109		71,71G	csa		Conveyor motor



25\_004\_e

## Spare parts

ID	P-code	Model	Type	Accessory	Voltage	Description
MODULE:Washing components						
30600	13000		71,71G			O-ring 3125
30610	3019080		71,71G			Horizontal wash arm
30615	3004141		71,71G			Vertical wash arm
30620	3004055		71,71G			Right wash ramp
30620	3004056		71,71G			Left wash ramp
30640	10600012		71,71G			Flat nut
30645	10200173/A		71,71G			Gasket 75x58x3
30650	3004025		71,71G			Elbow coupling press.
30655	88106		71,71G		A	Pump 2 kW
30655	88106/B		71,71G		H	Pump 2 kW - 220/380-415 V 60Hz
30655	88106/E		71,71G			Pump 2 kW - 240/415 V 50Hz
30660	3002020		71,71G			Suction elbow coupling
30665	3009148		71,71G			Pump support

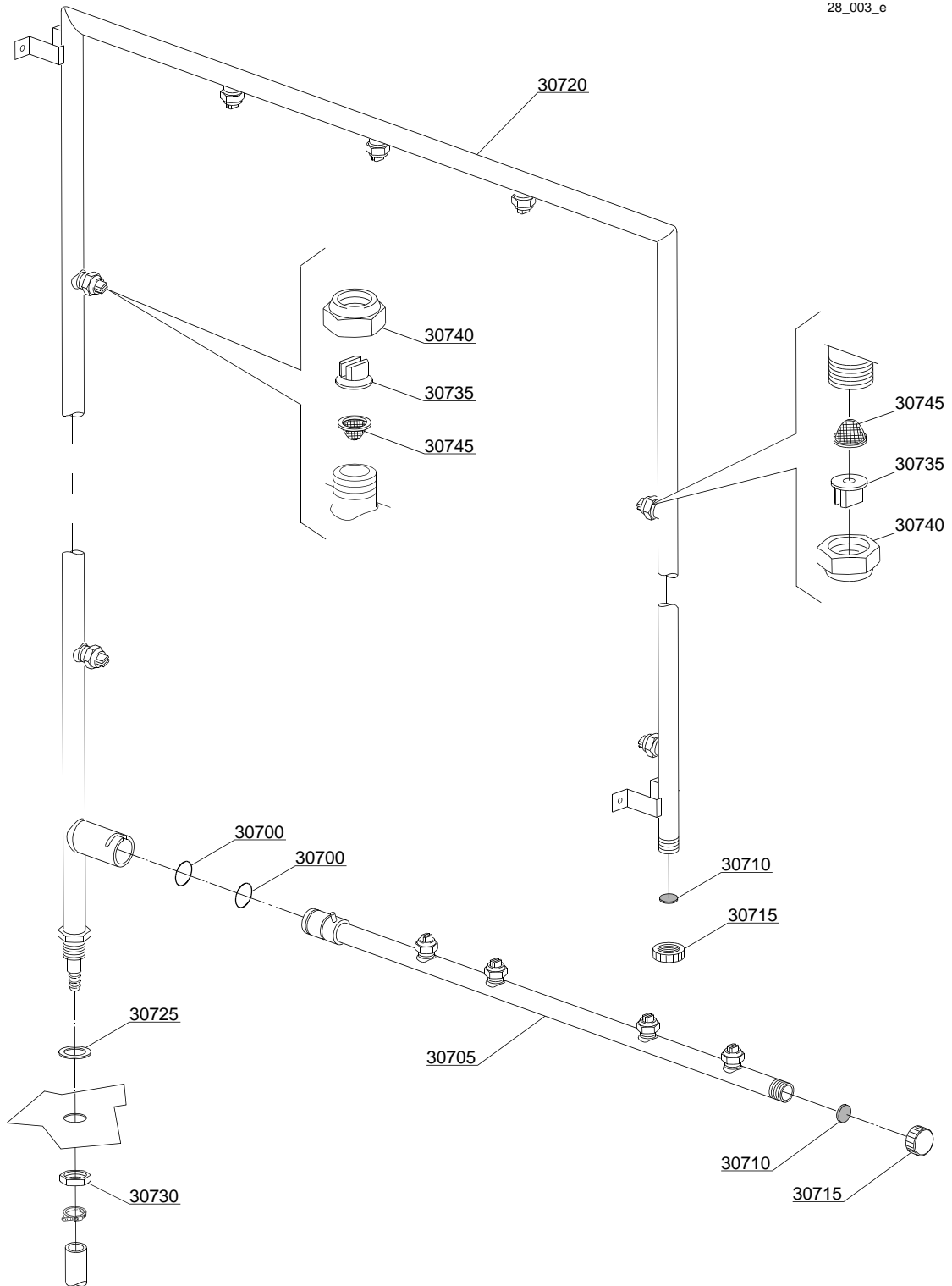


27\_002\_e

## Spare parts

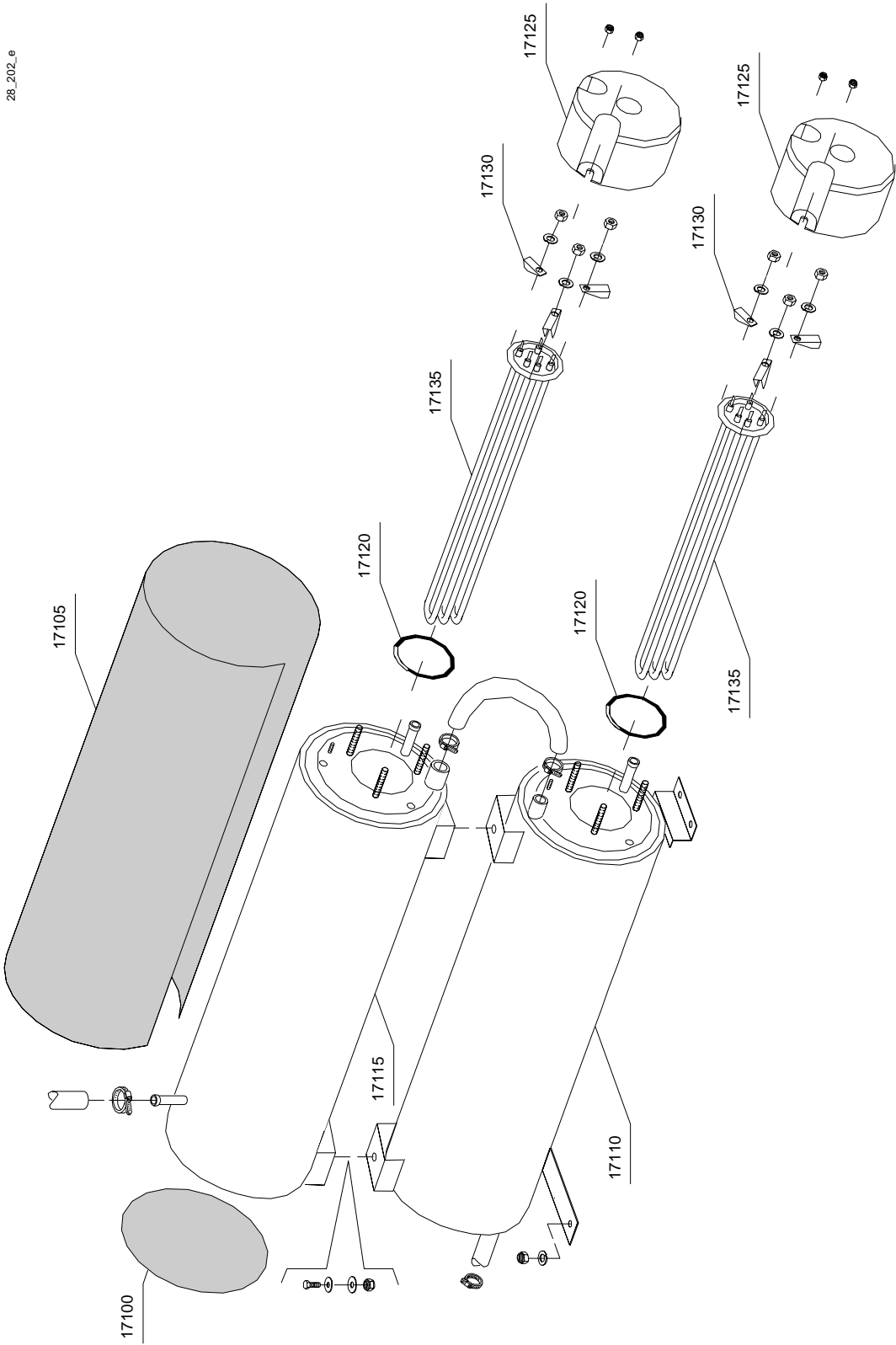
ID	P-code	Model	Type	Accessory	Voltage	Description
MODULE:Internal components washing module 1300						
15405	88105		71,71G			Overflow pipe plug
15410	2000477		71,71G			Overflow pipe
15415	3004099		71,71G			Overflow device support
15420	80106		71,71G			Air trap
15425	13301		71,71G			Gasket ROLMART 14x8x1.5
15430	3004054		71,71G			Inlet pipe
15435	10600016		71,71G			Nut
15440	10200101		71,71G			Nut
15445	10200182		71,71G			Cone
15450	3009387		71,71G			Washer
15455	10200171		71,71G			Gasket FASIT 25x17x2
15460	80231		71,71G			Fitting
15465	12005		71,71G			Hose holder
15470	3019071		71,71G			Pump suction-filter
15475	88110		71,71G			Pressure switch (260-30)
15480	75311		71,71G			Heating element cover
15485	16045		71,71G			Heating element support Ø6.3
15490	30001011		71,71G		A	Heating element 9kW
15490	30001011/A		71,71G		A	Heating element 12kW
15490	30001011/B		71,71G		A	Heating element 14kW
15495	13015		71,71G			O-ring 160 (6225)
15500	11702		71,71G			Nut
15505	3009299		71,71G			Tank support
15510	10200173		71,71G			Gasket 75x58x3
15515	10600012		71,71G			Flat nut
15520	3009567		71,71G			Strainer plate, back
15525	3019074		71,71G			Strainer plate front
15530	3019065		71,71G			Scrap tray
15535	3009363		71,71G			Pressure switch support
15540	3004115		71,71G			Overflow pipe assembly

28\_003\_e



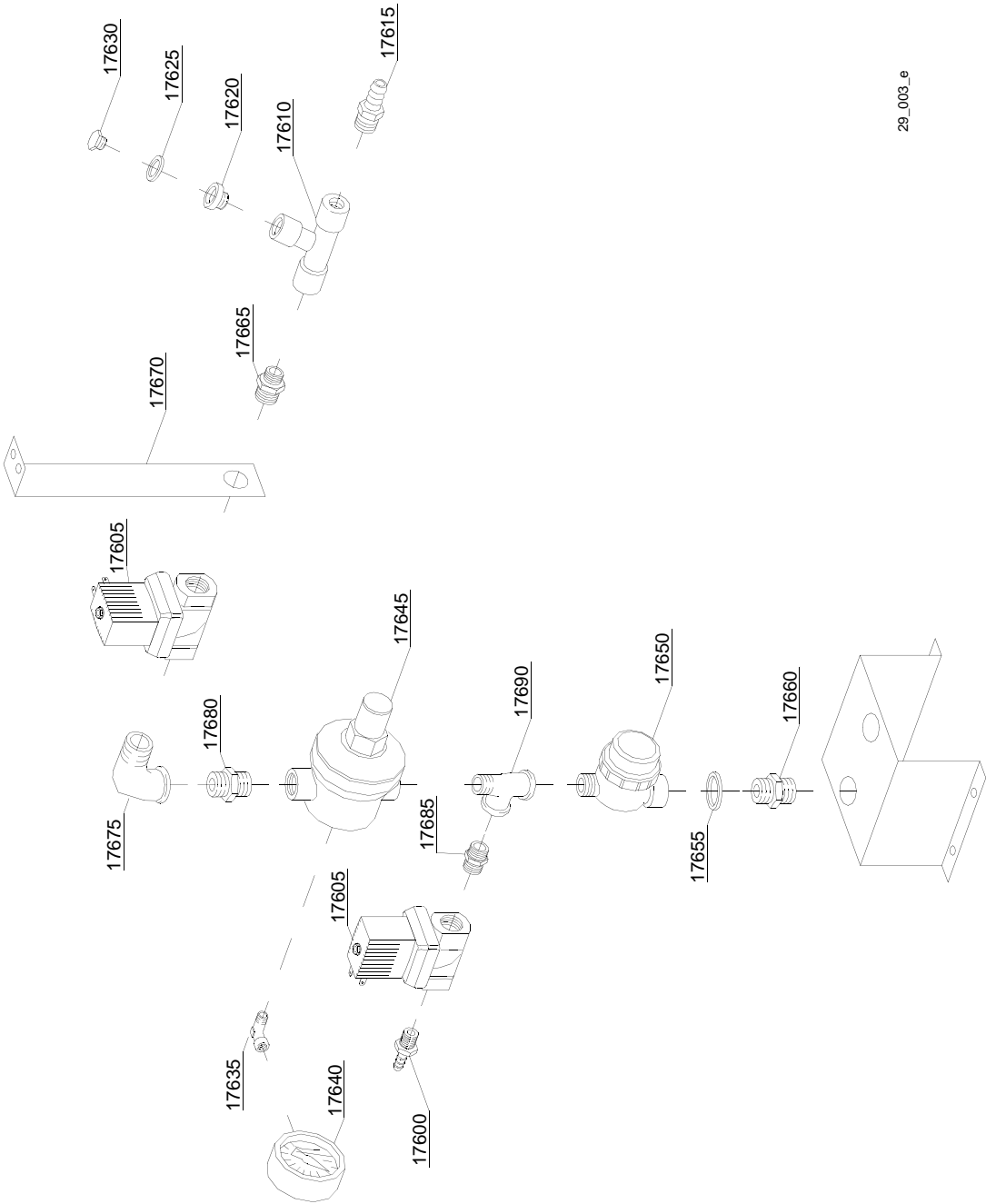
## Spare parts

ID	P-code	Model	Type	Accessory	Voltage	Description
MODULE:Rinsing components						
30700	13025		71,71G			O-ring 2081
30705	3003080		71,71G			Rinsing arm 4n
30710	2002051		71,71G			Gasket EPDM 17.5x1.5
30715	2002054		71,71G			Plug for arm
30720	3003062		71,71G			Rinsing ramp
30725	13326		71,71G			Gasket 38x27x2
30730	2200103		71,71G			Nut
30735	2200114		71,71G			Nozzle
30740	2200116		71,71G			Nut
30745	2200117		71,71G			Filter



28\_2002\_e

ID	P-code	Model	Type	Accessory	Voltage	Description
MODULE:Boiler components						
17100	75205		71,71G			Bottom boiler insulating
17105	30002030		71,71G			Boiler insulating
17110	3007012		71,71G			Boiler
17115	3007013		71,71G			Boiler
17120	13015		71,71G			O-ring 160 (6225)
17125	75311		71,71G			Heating element cover
17130	16045		71,71G			Heating element support Ø6.3
17135	30001011		71,71G		A	Heating element 9kW
17135	30001011/A		71,71G		A	Heating element 12kW
17135	30001011/B		71,71G		A	Heating element 14kW

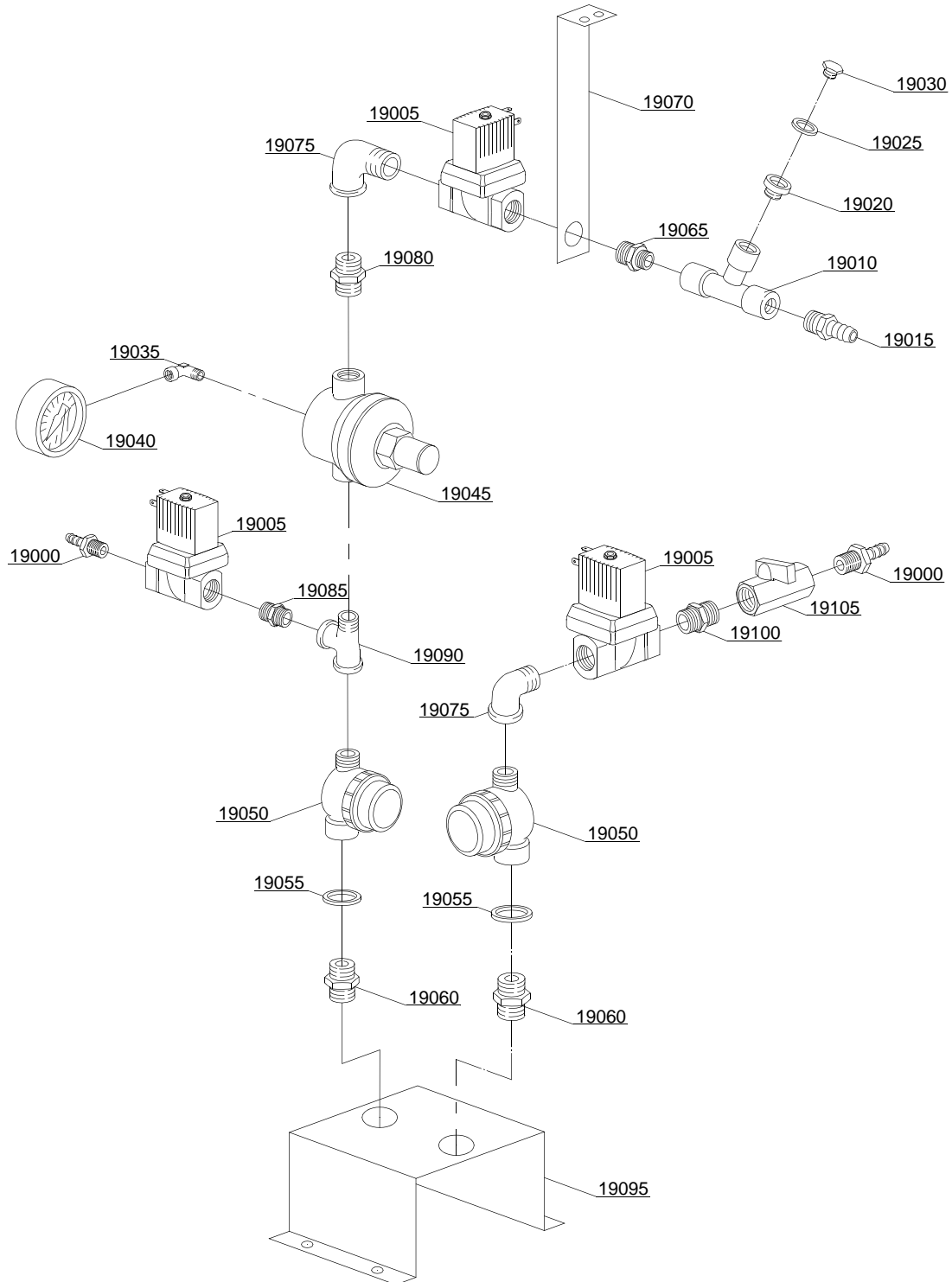


29\_003\_e

## Spare parts

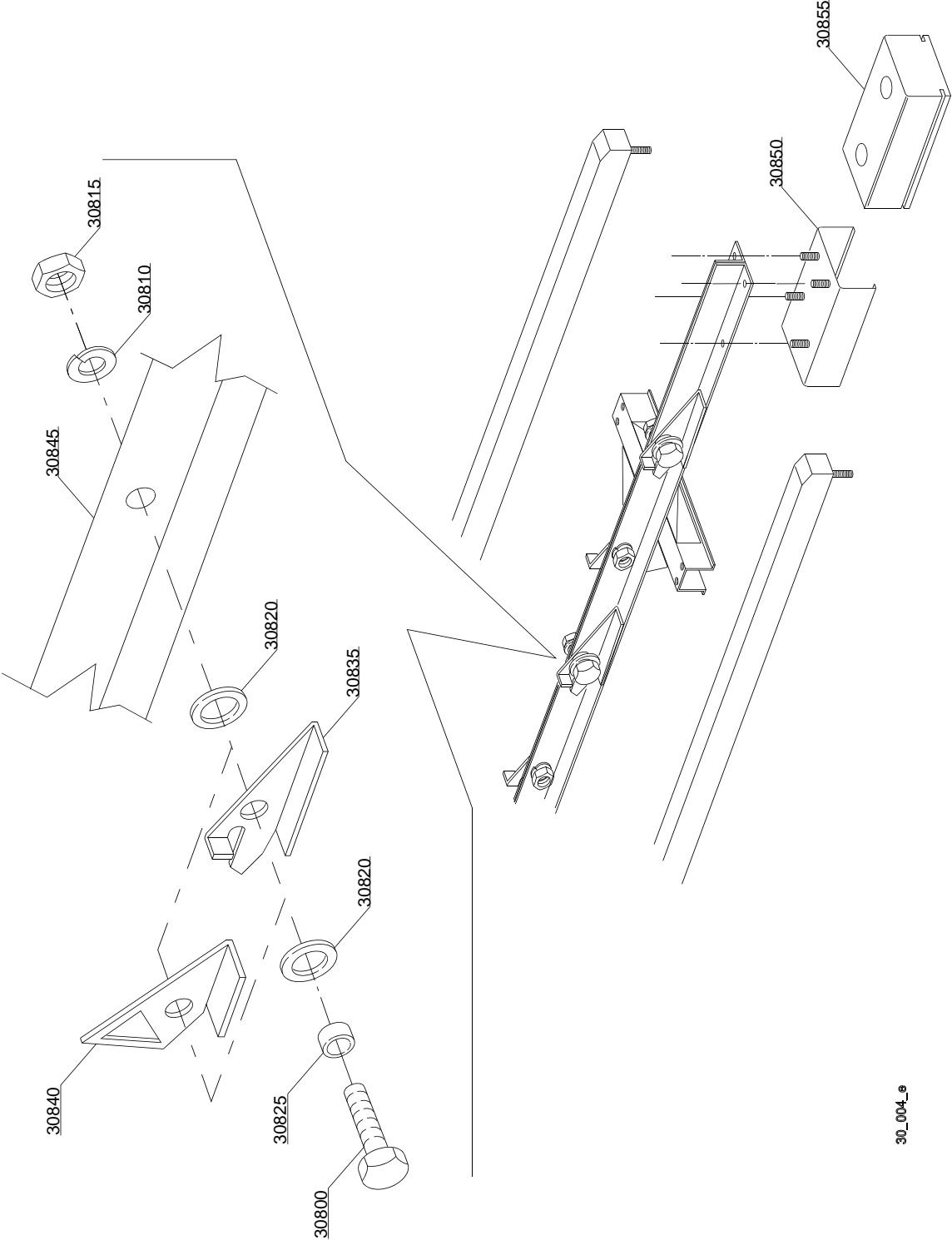
ID	P-code	Model	Type	Accessory	Voltage	Description
MODULE:Solenoid valves components: tank loading + rinsing						
17600	12023		71,71G			Hose holder
17605	3002030		71,71G			Solenoid valve
17610	12008		71,71G			Connection T
17615	12005		71,71G			Hose holder
17620	12032		71,71G			Reduction nipples
17625	13309		71,71G			Gasket 14x10x1.5
17630	12002		71,71G			Plug
17635	12012		71,71G			Elbow
17640	2000244		71,71G			Pressure reduction gauge
17645	2000364		71,71G			Pressure reduction valve
17650	2000121		71,71G			Filter
17655	13326		71,71G			Gasket 38x27x2
17660	12025		71,71G			Nipples
17665	12033		71,71G			Nipples
17670	3009585		71,71G			Solenoid valve support
17675	3002141		71,71G			Elbow
17680	10200208		71,71G			Nipples
17685	3002145		71,71G			Reduction nipples
17690	3002144		71,71G			Connection T
MODULE:Solenoid valves components: tank loading + rinsing						
17600	12023		71	d92		Hose holder
17605	3002030		71	d92		Solenoid valve
17610	12008		71	d92		Connection T
17615	12005		71	d92		Hose holder
17620	12032		71	d92		Reduction nipples
17625	13309		71	d92		Gasket 14x10x1.5
17630	12002		71	d92		Plug
17635	12012		71	d92		Elbow
17640	2000244		71	d92		Pressure reduction gauge
17645	2000364		71	d92		Pressure reduction valve
17650	2000121		71	d92		Filter
17655	13326		71	d92		Gasket 38x27x2
17660	12025		71	d92		Nipples
17665	12033		71	d92		Nipples
17670	3009585		71	d92		Solenoid valve support
17675	3002141		71	d92		Elbow
17680	10200208		71	d92		Nipples
17685	3002145		71	d92		Reduction nipples
17690	3002144		71	d92		Connection T
			71			

29\_004\_e



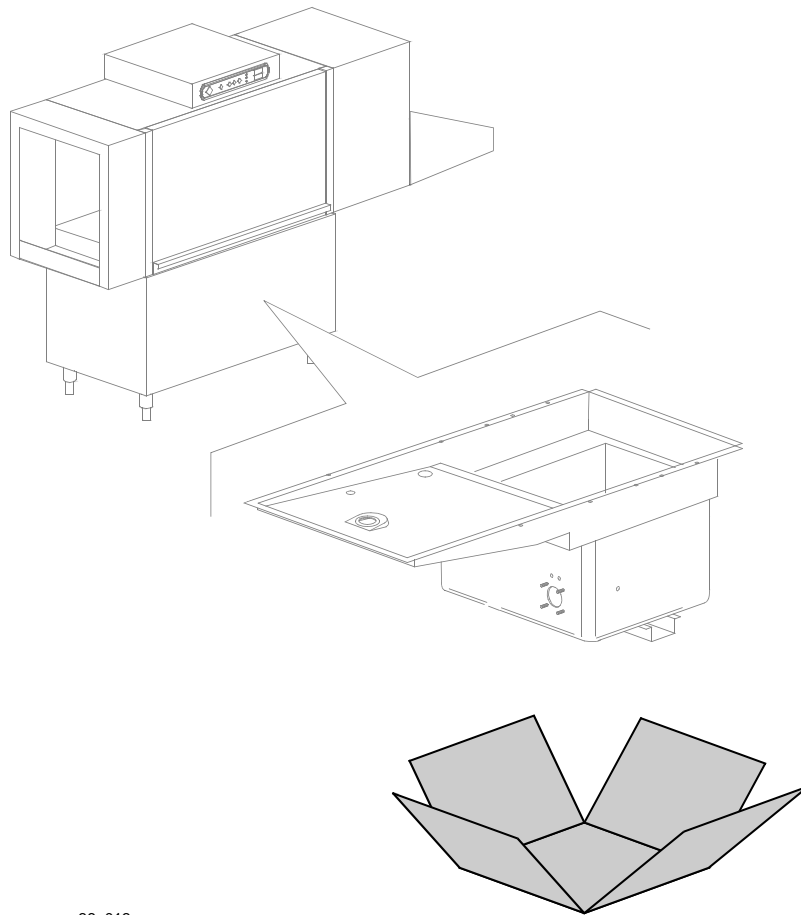
## Spare parts

ID	P-code	Model	Type	Accessory	Voltage	Description
MODULE: Solenoid valves components: tank loading + rinsing + steam condenser						
19000	12023		71	sc9		Hose holder
19005	3002030		71	sc9		Solenoid valve
19010	12008		71	sc9		Connection T
19015	12005		71	sc9		Hose holder
19020	12032		71	sc9		Reduction nipples
19025	13309		71	sc9		Gasket 14x10x1.5
19030	12002		71	sc9		Plug
19035	12012		71	sc9		Elbow
19040	2000244		71	sc9		Pressure reduction gauge
19045	2000364		71	sc9		Pressure reduction valve
19050	2000121		71	sc9		Filter
19055	13326		71	sc9		Gasket 38x27x2
19060	12025		71	sc9		Nipples
19065	12033		71	sc9		Nipples
19070	3009585		71	sc9		Solenoid valve support
19075	3002141		71	sc9		Elbow
19080	10200208		71	sc9		Nipples
19085	3002145		71	sc9		Reduction nipples
19090	3002144		71	sc9		Connection T
19095	3009220		71	sc9		Solenoid valve support
19100	12027		71	sc9		Nipples
19105	3002140		71	sc9		Tap



## Spare parts

ID	P-code	Model	Type	Accessory	Voltage	Description
MODULE:Conveyor parts						
30800	11109		71,71G			Screw
30810	11609		71,71G			Split washer
30815	11719		71,71G			Nut
30820	3003024		71,71G			Washer
30825	3003025		71,71G			Bush
30835	3003100		71,71G			Clip right
30835	3003101		71,71G			Clip left
30840	3003102		71,71G			Right pawl
30840	3003103		71,71G			Left pawl
30845	3009132		71,71G			Right mobile frame
30845	3009133		71,71G			Left mobile frame
30850	3009358		71,71G			Guide
30855	3003068		71,71G			Mobile frame sliding guide

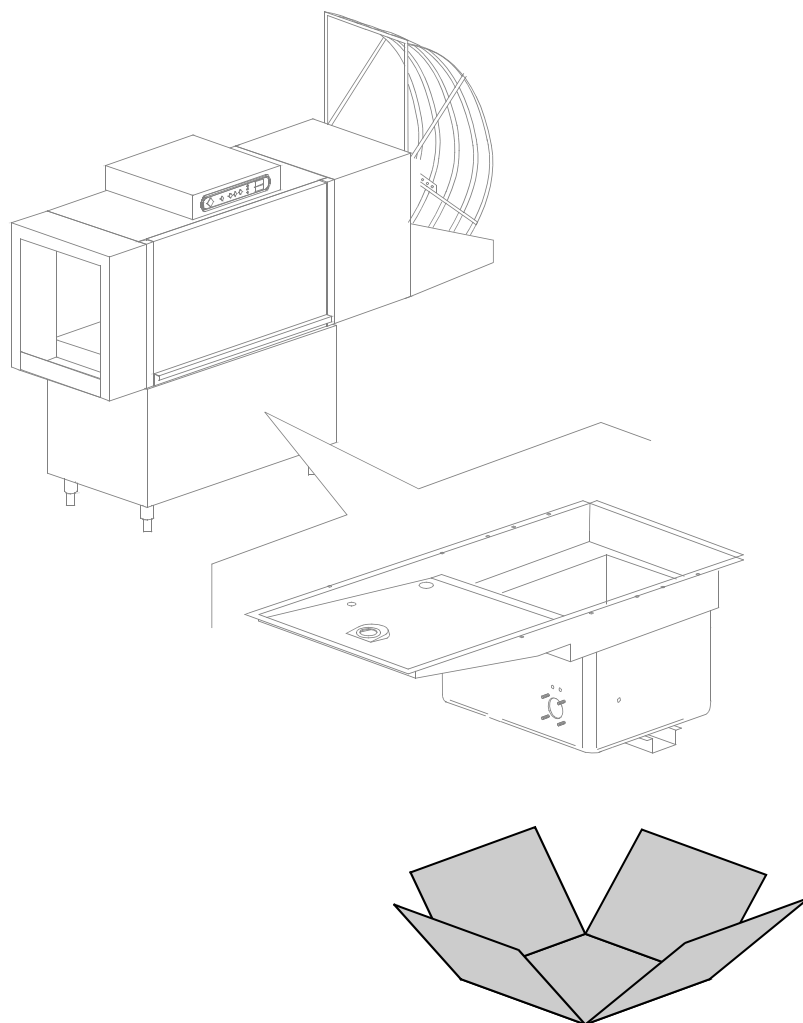


36\_013\_e

## Spare parts

---

ID	P-code	Model	Type	Accessory	Voltage	Description
MODULE:Tank insulation						
	999910207		71	ti		Tank insulation
N.B.: kit suppliable only togeter with the machine, not after						

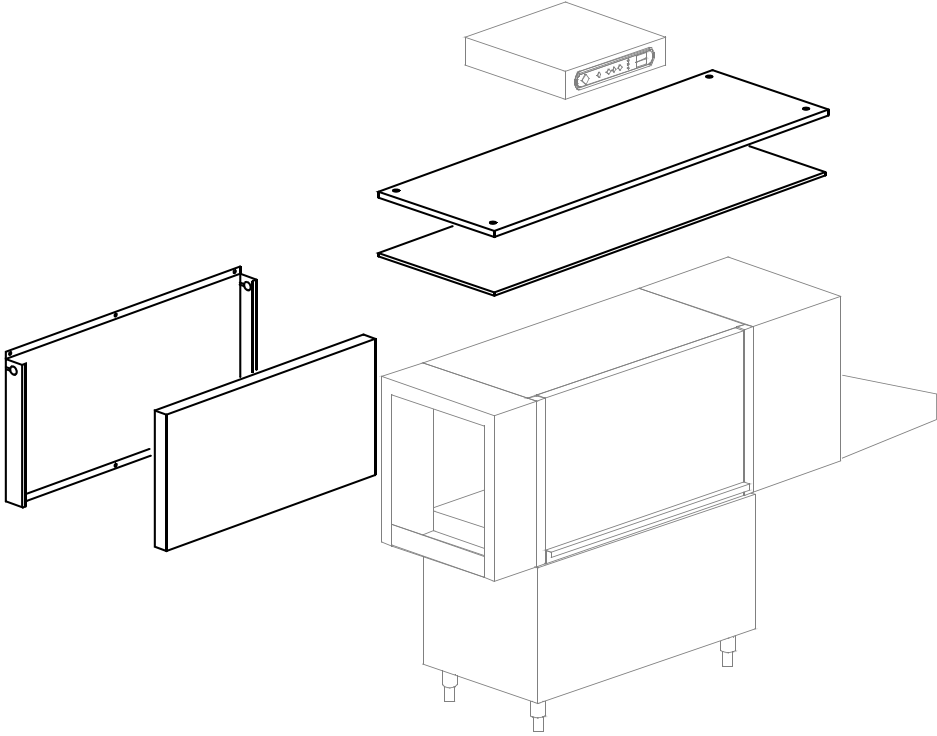


36\_014\_e

**Spare parts**

---

ID	P-code	Model	Type	Accessory	Voltage	Description
MODULE:Tank insulation						
	999910207		71G	ti		Tank insulation
N.B.: kit suppliable only togeter with the machine, not after						

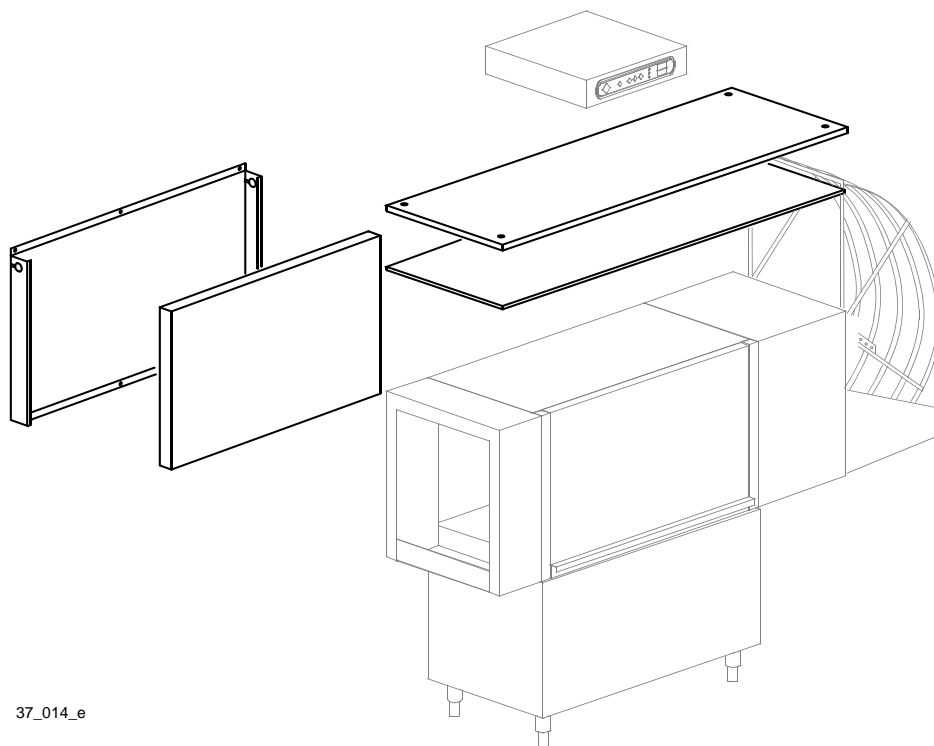


37\_013\_e

## Spare parts

---

ID	P-code	Model	Type	Accessory	Voltage	Description
MODULE:Double skin						
	999910206		71	ds		Double skin assembly
N.B.: kit suppliable only togeter with the machine, not after						

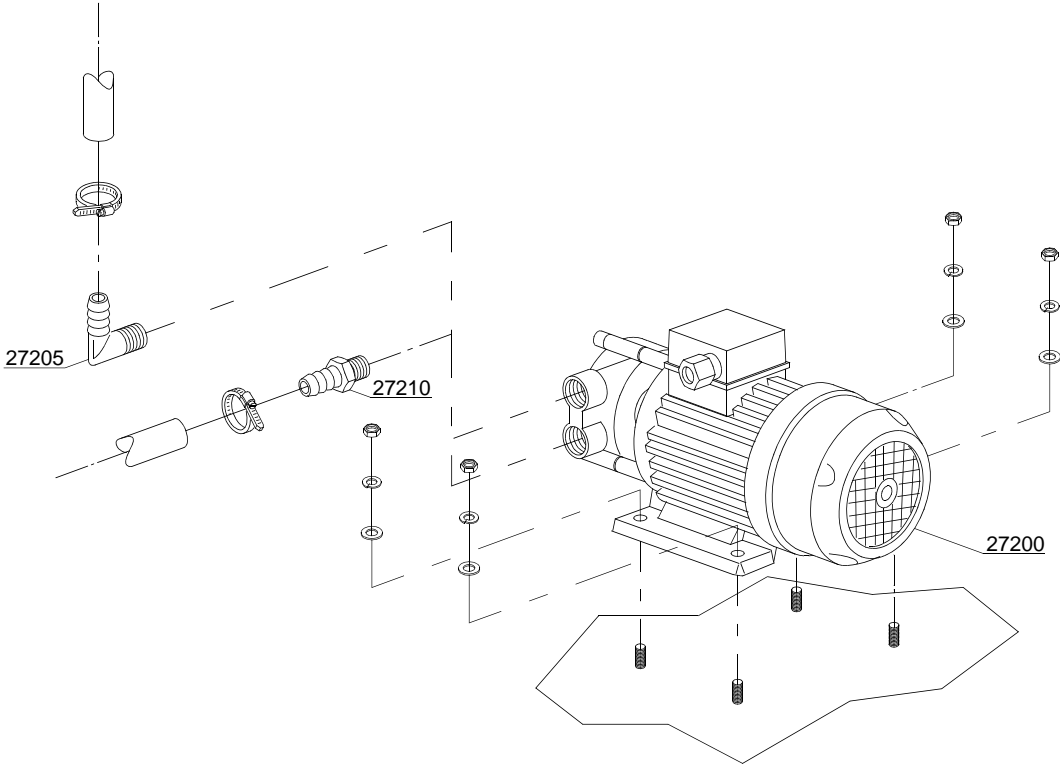
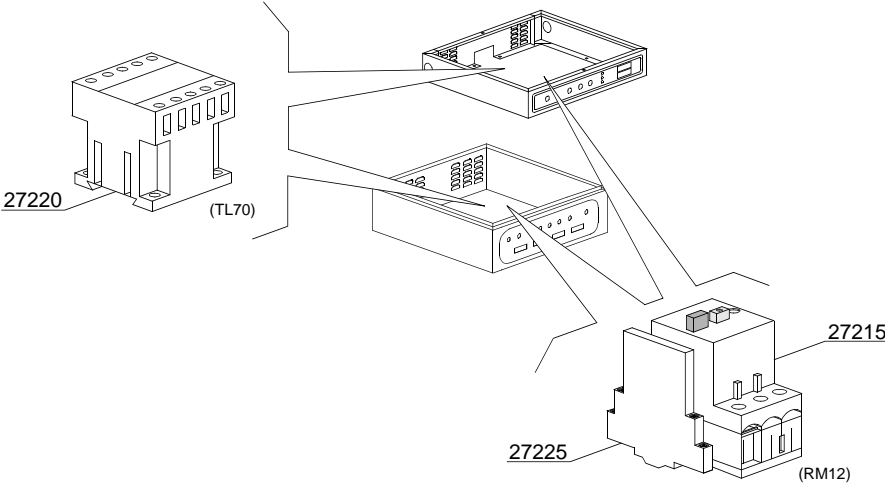


37\_014\_e

## Spare parts

---

ID	P-code	Model	Type	Accessory	Voltage	Description
MODULE:Double skin						
	999910206		71G	ds		Double skin assembly
N.B.: kit suppliable only togeter with the machine, not after						

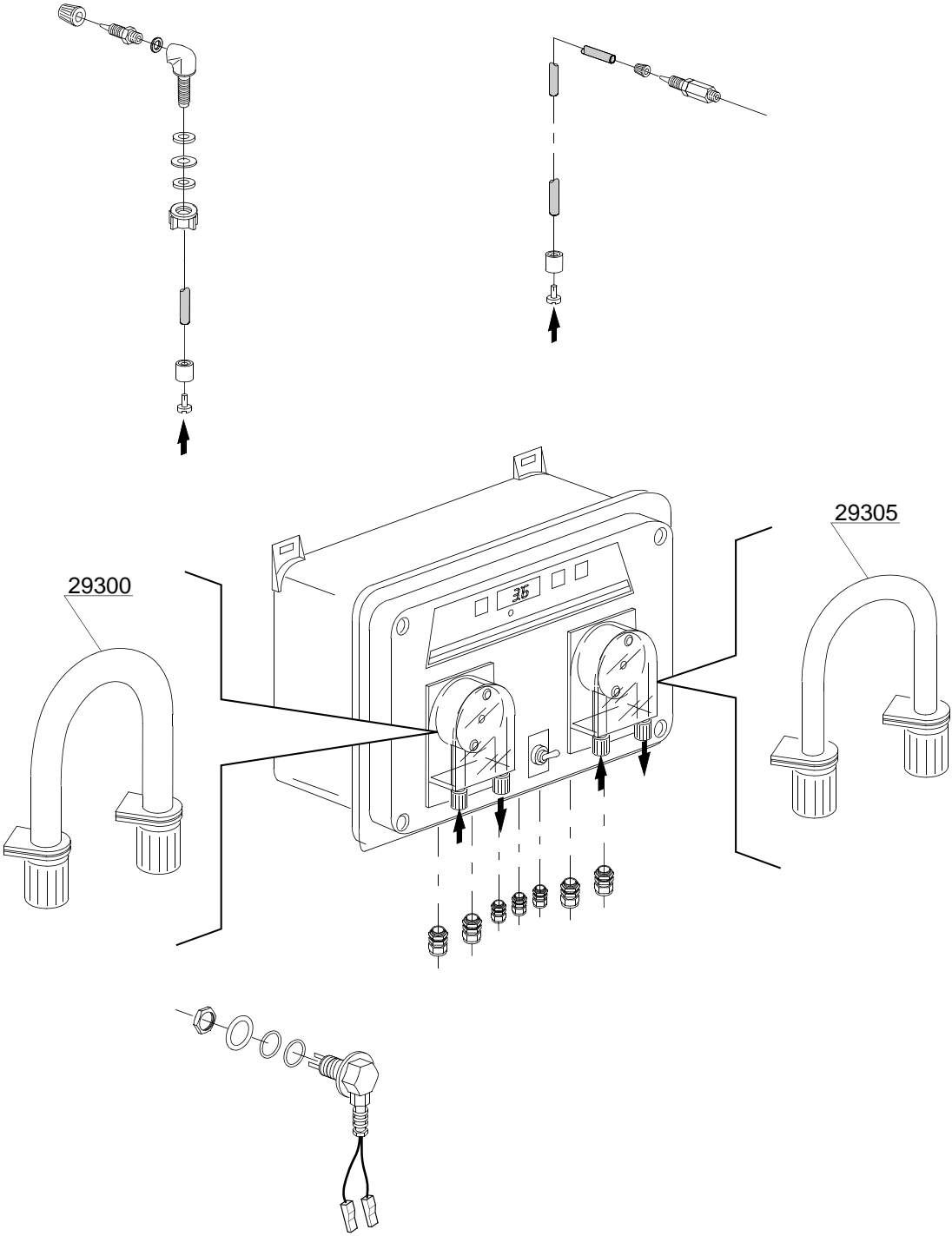


38\_001\_e

## Spare parts

---

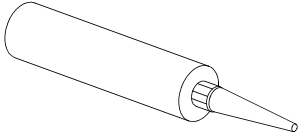
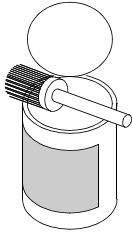
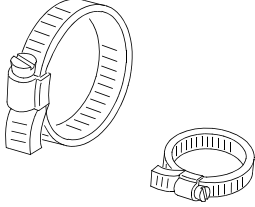
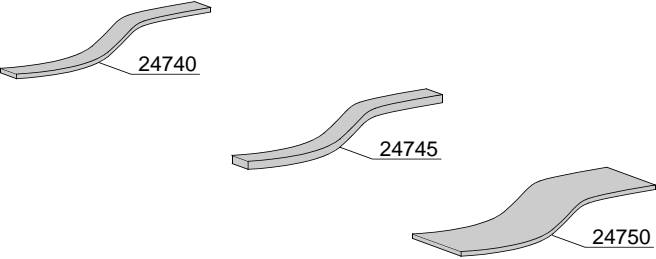
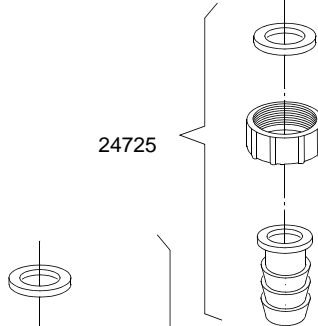
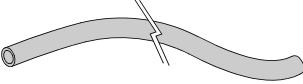
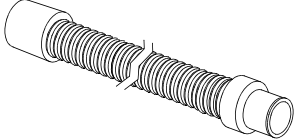
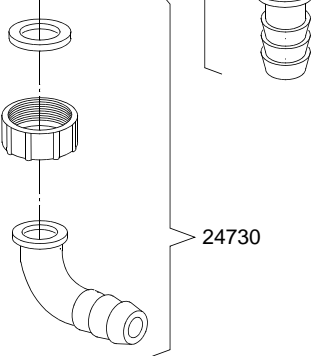
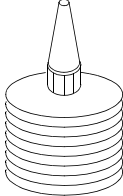
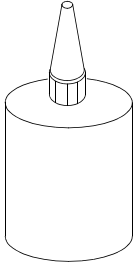
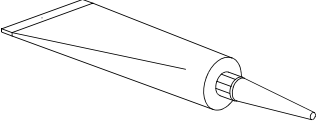
ID	P-code	Model	Type	Accessory	Voltage	Description
MODULE:Booster pump						
27200	15100		71,71G	bp		Booster pump
27205	12030		71,71G	bp		Elbow pipe fitting
27210	10221311		71,71G	bp		Pipe fitting
27215	2000394		71,71G	bp		Motorprotector 2,5-4A
27220	2000370		71,71G	bp		Contactora MC9
27225	3006080		71,71G	bp		Auxiliary contact LMS25



39\_001\_e

## Spare parts

ID	P-code	Model	Type	Accessory	Voltage	Description
MODULE:Dispensers SDN-3						
	15181		71,71G	sdn3		Dispensers assembly SDN-3
29300	15185		71,71G	sdn3		Pipe fitting for detergent dispenser
29305	15186		71,71G	sdn3		Pipe fitting for rinse dispenser

 <p>24700</p>	 <p>24705</p>	 <p>24760</p>
 <p>24740</p> <p>24745</p> <p>24750</p>		 <p>24725</p>
 <p>24755</p>	 <p>24735</p>	 <p>24730</p>
 <p>24765</p>	 <p>24770</p>	 <p>24775</p>

## Spare parts

ID	P-code	Model	Type	Accessory	Voltage	Description
MODULE:Accessory						
24700	---		71,71G			Silicone UNI 9610 - UNI 9611
24705	---		71,71G			Grease for higt temperatures CCIAA 629224
24705	---		71,71G			Grease for food - Loctite 8104 Cat. N° 26560
24725	15613/A		71,71G			Fitting exauster
24730	15613		71,71G			"1"" 1/4x30 nylon elbow"
24735	10727		71,71G			Exauster pipe Ø 24mm
24735	10200112		71,71G			Exauster pipe Ø 32mm
24740	15750		71,71G			20x2 self-stick mousse
24745	15751		71,71G			20x4 self-stick mousse
24750	15752		71,71G			60x2 self-stick mousse
24755	2907350		71,71G			Flexible pipe EPDM Ø12
24755	2907352		71,71G			Flexible pipe EPDM Ø12 - WRAS
24755	2907353		71,71G			Flexible pipe EPDM Ø12
24760	2902050		71,71G			Steel hose clamp 15/24
24760	11806		71,71G			Steel hose clamp 25/40
24760	11810		71,71G			Steel hose clamp 40/60
24760	11824		71,71G			Steel hose clamp 50/70
24760	2902491		71,71G			Steel hose clamp 60/80
24765	---		71,71G			-50°C +150°C threads dope
24770	---		71,71G			Loctite 542 Cat.N° 54246 - DIN-DVGW 86.02 e 125
24770	---		71,71G			Loctite 243 Cat.N° 18937 - 19386
24775	---		71,71G			Loctite 511 Cat.N° 24003 - DIN-DVGW 86.01 e 125
24775	---		71,71G			Loctite 577 Cat.N° 25392