



Würfeleisbereiter, Vollkegel, Luftk., 42 kg/24 h, 16 kg Speicher, Ablaufpumpe

Artikel-Nr.
711094 (CB416AHCDP)

Explosionszeichnung / Ersatzteile

Bitte bei Ersatzteilbestellung immer Artikelnummer und
Seriennummer mit angeben!



CB 416 HC

LIST OF THE EXPLODED VIEWS



SHELL ASSY CB 416A HC / CB 416W HC

SHELL ASSY CB 416A HC Drain Pump

COOLING SYSTEM

HYDRAULIC CIRCUIT CB 416A HC / CB 416W HC

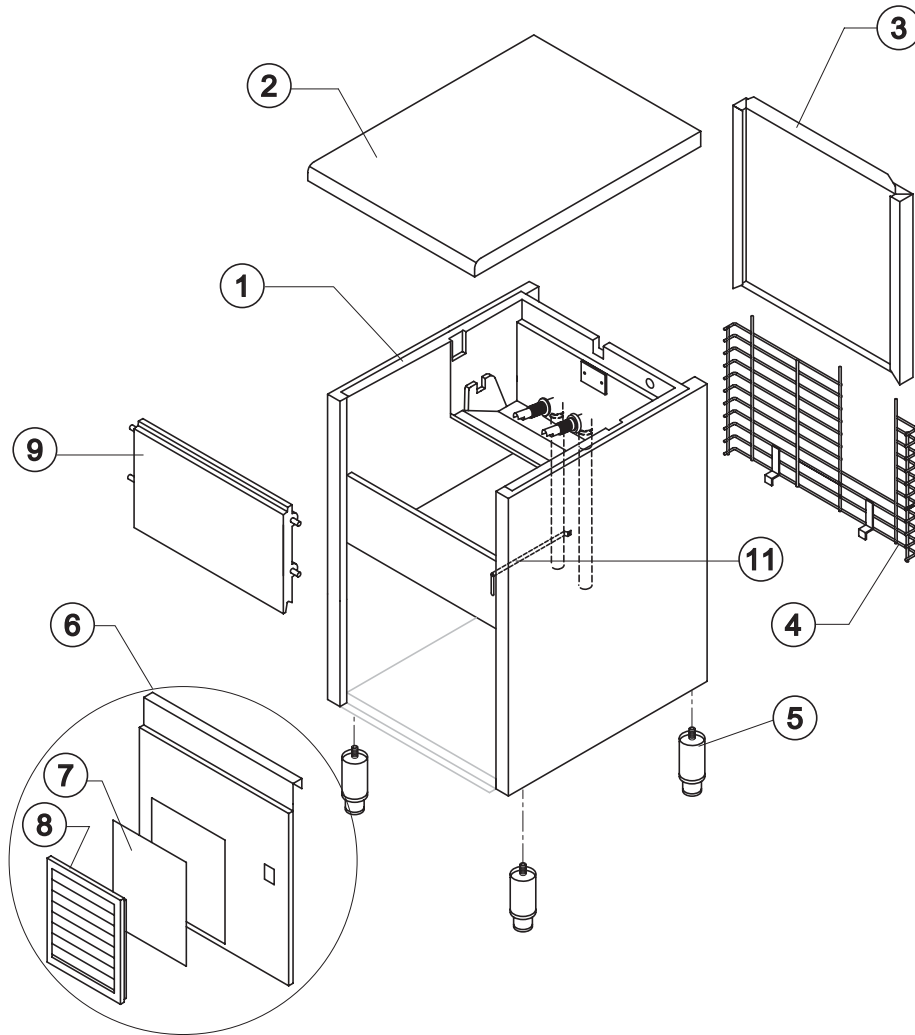
HYDRAULIC CIRCUIT CB 416A HC Drain Pump

ELECTRIC PARTS



CB 416 HC

SHELL ASSY CB 416A HC/CB 416W HC

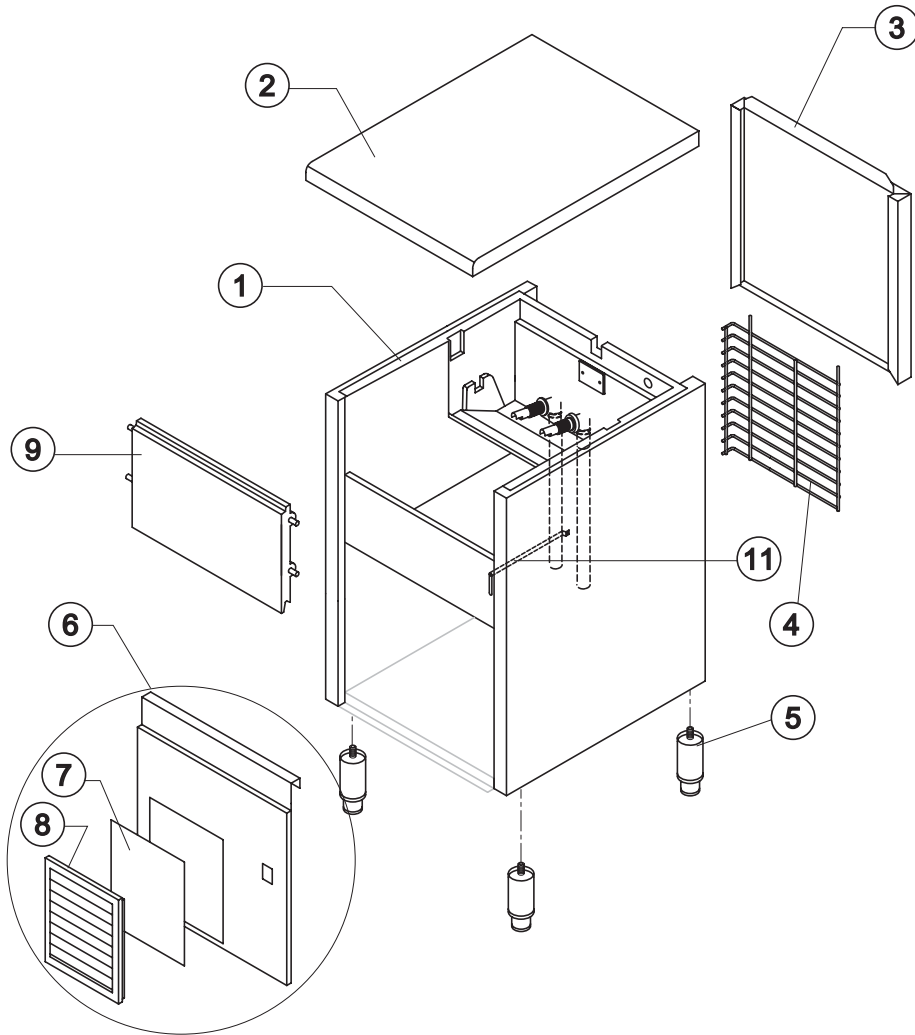


Ref.	Spare Description	Code
1	Foamed Cabinet Assy	See Table
2	Top Assembly	C22692
3	Rear Panel Assembly	C21182
4	Rear Grid	D12006
5	Adjustable Foot	20613
6	Front Grid Panel	Current Version C221701
6	Front Grid Panel	Till s/n. 881876 C22507
7*	Filtering Panel	18106
8	Frame + Grid & Filter	C10205
9	Door Assembly	C10297
11	Bulb-holder Pipe	20522

Ref. 1 - Foamed Cabinet Assy

Condensation	Code
Air	C11227A
Water	C11227W

Rev. 01 - 15/05/2018



Ref.	Spare Description	Code
1	Foamed Cabinet Assy	C11227DP
2	Top Assembly	C22692
3	Rear Panel Assembly	C21182
4	Rear Grid	D12101
5	Adjustable Foot	20613
6	Front Grid Panel	Current Version C221701
6	Front Grid Panel	Till s/n. 881876 C22507
7*	Filtering Panel	18106
8	Frame + Grid & Filter	C10205
9	Door Assembly	C10297
11	Bulb-holder Pipe	20522



CB 416A HC / CB 416W HC / CB 416A HC DP

Common Parts

Ref.	Spare Description	Code
1	Compressor	231159
4*	Molecular Drier	14009
6	Evaporator	See Table
7	Evaporator Cover Panel	10449
8*	Hot Gas Valve Body	231294
9*	Hot Gas Valve Coil	201129
10	Suctin Line	for the spare parts code give us the s/n.

Parts For Air-Cooled Version Only

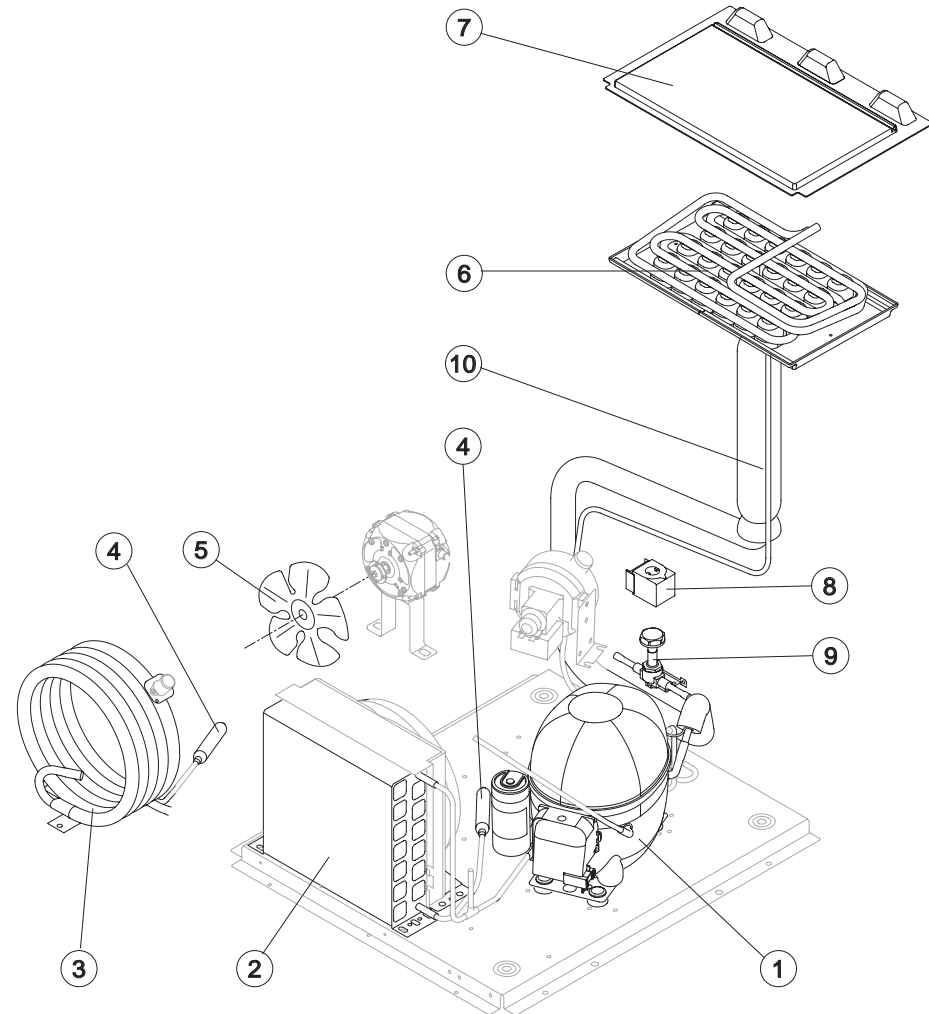
Ref.	Spare Description	Code
2	Air Condenser	201234

Parts For Water-Cooled Version Only

Ref.	Spare Description	Code
3	Water Condenser	14014
5	Sucking Fan	10213

Ref. 6 - Evaporator

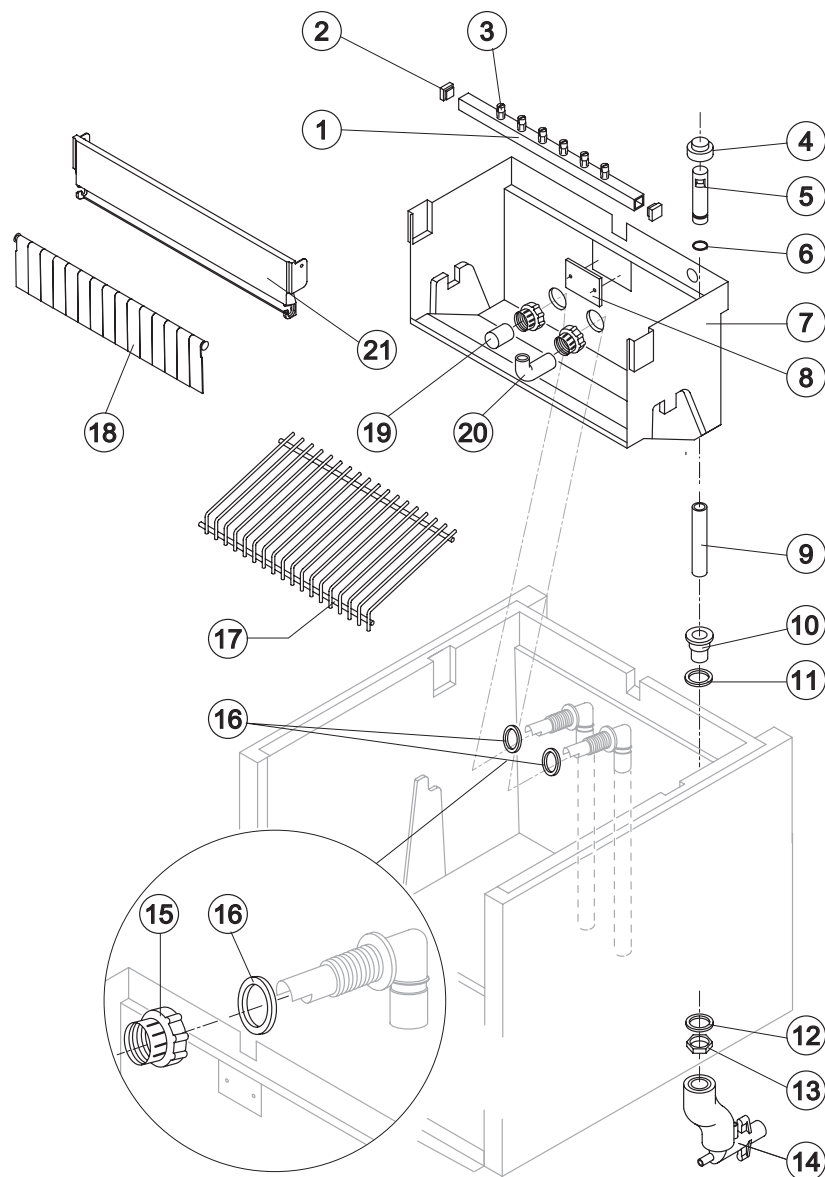
Kind of Cube	Code
18 g. (Standard)	D10046
33 g.	D10089
13 g.	D10417
42 g.	D10465





CB 416 HC

HYDRAULIC CIRCUIT CB 416A HC/CB 416W HC



Common Parts

Ref.	Spare Description	Code
1*	Sprayers Bar Assembly	See Table
2	Sprayer Bar Plug	10012
3	Sprayer	D20002
4*	Overflow Cap	10305
5*	Overflow Pipe	10133
6*	OR Gasket for Overflow Pipe	20233
7	Inner Basin	10253
8	Slide Keep Plate	10009
9*	Overflow Pipe	13107
10	Water Outlet Nipple	10472
11	Silicone Gasket	13006
12	Semirigid Polyethylene Gasket	13007
13	Bin Discharge Nut	10096
15	Fittings Locking Ring	10405
16	Gasket for Pump Suction/Delivery Pipes	13143
17	Ice Cubes Slide	See Table
18	Rod with Flags	C10534
19*	Pump Suction Filter	20005
20	Sprayers Feeding Pipe	13005
21	Flags ABS Support	10526

Parts for Air Cooled Version Only

Ref.	Spare Description	Code
14	Discharges Manifold	C10006

Parts for Water Cooled Version Only

Ref.	Spare Description	Code
14	Discharges Manifold	C26452

Ref. 1* - Sprayers Bar Ass.

Kind of Cube	Code
18 g. (Standard)	C20029
33 g.	C20155
13 g.	C20189
42g.	C20155

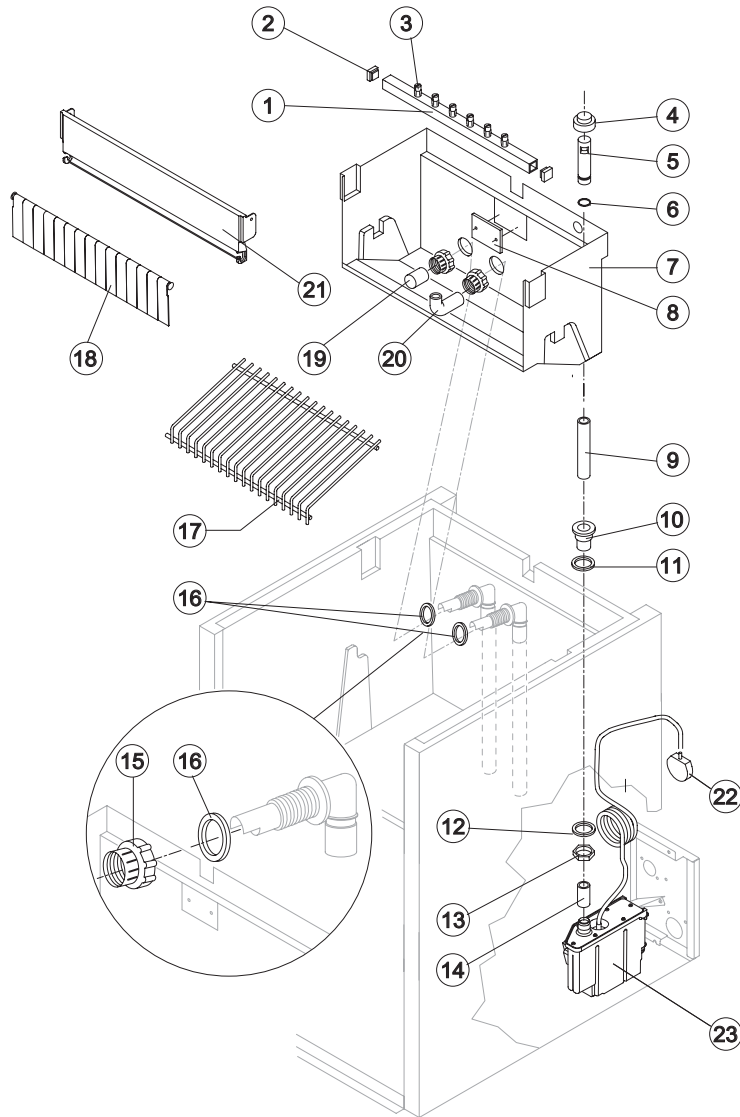
Ref. 17 - Ices Cube Slide

Kind of Cube	Code
18 g. (Standard)	D12008
33 g.	D12030
13 g.	D12038
42g.	D12030



CB 416 HC

HYDRAULIC CIRCUIT CB 416A HC DP



Ref.	Spare Description	Code
1*	Sprayers Bar Assembly	See Table
2	Sprayer Bar Plug	10012
3	Spruzzatore	D20002
4*	Overflow Cap	10305
5*	Overflow Pipe	10133
6*	OR Gasket for Overflow Pipe	20233
7	Inner Basin	10253
8	Slide Keep Plate	10009
9*	Overflow Pipe	13107
10	Water Outlet Nipple	10472
11	Silicone Gasket	13006
12	Semirigid Polyethylene Gasket	13007
13	Bin Discharge Nut	10096
14	Bin Discharge-Drain Pump Connection	C13175100
15	Fittings Locking Ring	10405
16	Gasket for Pump Suction/Delivery Pipes	13143
17	Ice Cubes Slide	See Table
18	Rod with Flags	C10534
19*	Pump Suction Filter	20005
20	Sprayers Feeding Pipe	13005
21	Flags ABS Support	10526
22	Drain Pump Pressure Switch	C231230
23	Drain Pump	C231225

Ref. 1* - Sprayers Bar Ass.

Kind of Cube	Code
18 g. (Standard)	C20029
13 g.	C20189

Ref. 17 - Ices Cube Slide

Kind of Cube	Code
18 g. (Standard)	D12008
13 g.	D12038

Rev. 01 - 15/05/2018



CB 416 HC

ELECTRIC PARTS

CB 416A HC / CB 416W HC / CB 416A HC DP

Common Parts

Ref.	Spare Description	Code
3*	Fan cycle switch	231123
4*	Bin Thermostat	R23005
5*	Evaporator Thermostat	R23591
6*	Timer	Till s/n. 881876
7*	Green Light Switch (On-Off)	Till s/n. 881876
11*	Pump Assy	C231016
13	Electronic Timer / On-Off (AWS)	Current Version

Parts for Air Cooled Version Only

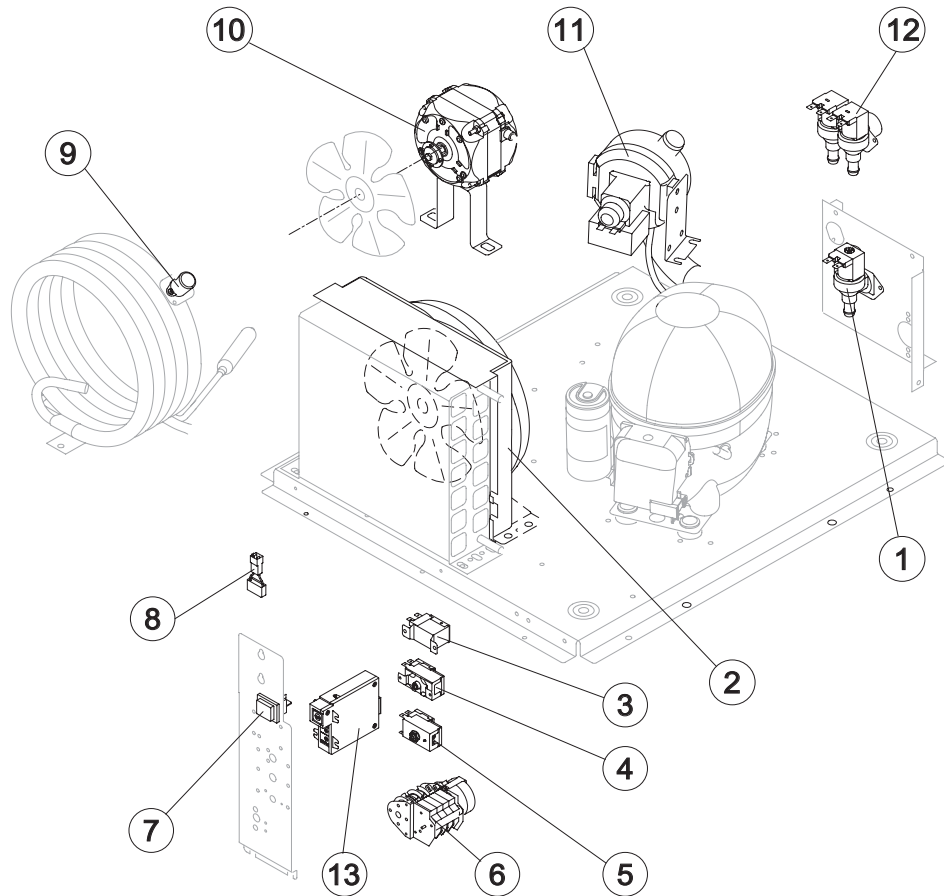
Ref.	Spare Description	Code
1*	1 Way- Water Inlet Valve	23115
2	Fan Motor + grid + conveyor Assembly	231322
8	Anti Radio Interference Filter	C23459

Parts for Wayer Cooled Version Only

Ref.	Spare Description	Code
8	Anti Radio Interference Filter	C23457
9*	Safety Thermostat	C23114
10	Fan Motor	23029
12*	2 Ways Water Inlet Valve	23116

Ref. 6* - Timer - till s/n. 881876

Voltage	18g Cube	33g Cube	13g Cube	42g Cube
T11	23222	23248	23247	23780



Rev. 01 - 15/05/2018