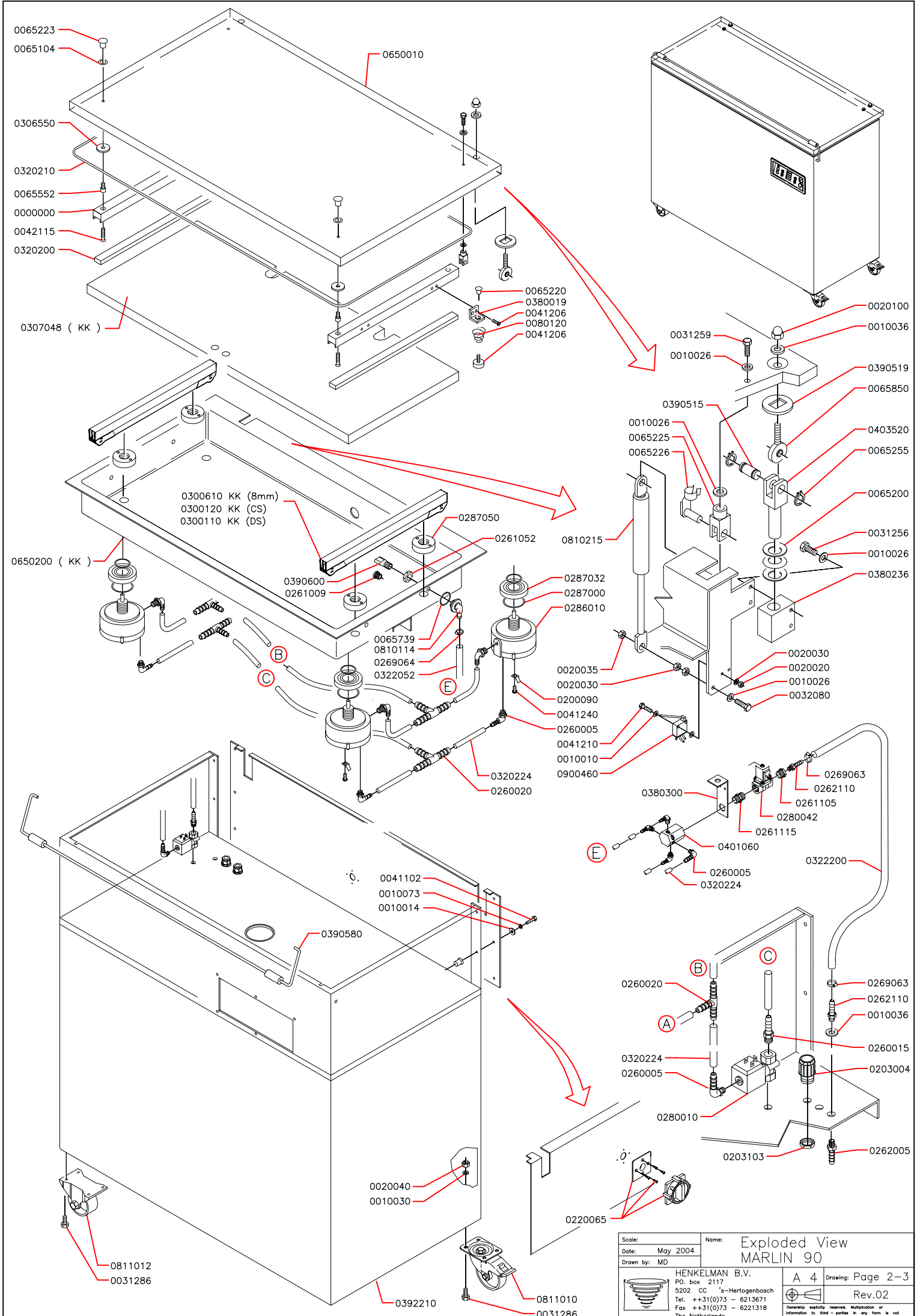
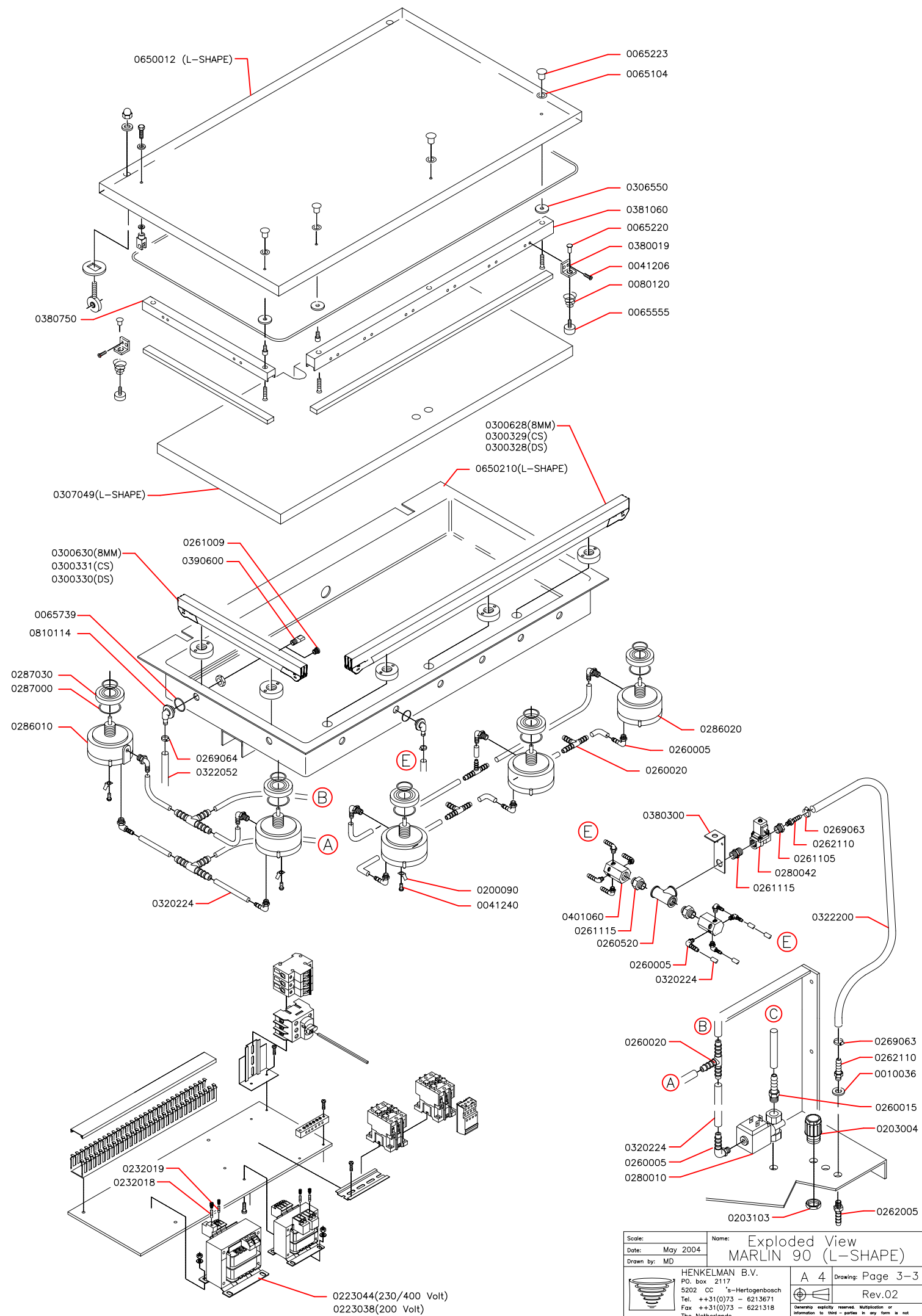


Scale:	Name:
Date: May 2004	Explosion View
Drawn by: MD	MARLIN 90
HENKELMAN B.V. P.O. box 2117 5202 CC 's-Hertogenbosch Tel. ++31(0)73 - 6213671 Fax ++31(0)73 - 6221318 The Netherlands	A 4 Drawing: Page 1-3 Rev.02 Ownership explicitly reserved. Multiplication or information to third parties in any form is not permitted without written permission of the owner.



Scale:	Name: Exploded View
Date: May 2004	MARLIN 90
Drawn by: MD	
HENKELMAN B.V. P.O. box 2117 5202 CC 's-Hertogenbosch Tel. ++31(0)73 - 6213671 Fax. ++31(0)73 - 6221318 The Netherlands	
A 4	Drawing: Page 2-3
Rev.02	
<small>Oversiteer alle rechten voorbehouden. Multiplicatie of verspreiding van informatie is strafbaar in alle landen. Het kopiëren van dit document is strafbaar.</small>	



0650012 (L-SHAPE)

0065223

0065104

0306550

0381060

0065220

0380019

0041206

0080120

0065555

0380750

0300628(8MM)  
0300329(CS)  
0300328(DS)

0650210(L-SHAPE)

0307049(L-SHAPE)

0300630(8MM)  
0300331(CS)  
0300330(DS)

0261009

0390600

0065739

0810114

0287030

0287000

0286010

0269064

0322052

0320224

0200090

0041240

0286020

0260005

0260020

0380300

0269063

0262110

0261105

0280042

0261115

0401060

0261115

0260520

0260005

0320224

0322200

0260020

0260015

0260010

0260015

0203004

0320224

0260005

0280010

0203103

0269063

0262110

0010036

0260015

0203004

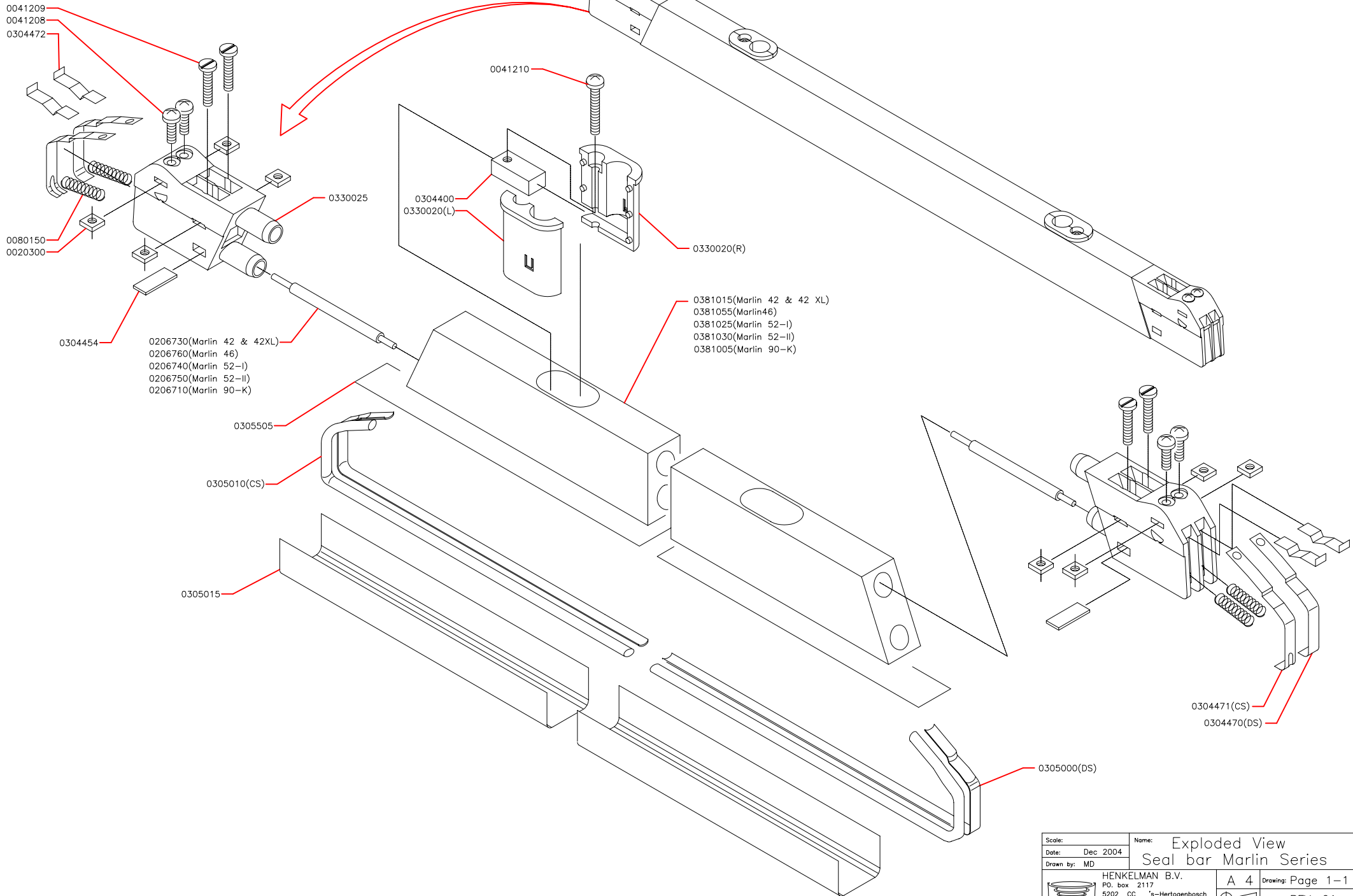
0262005


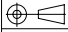
0232019

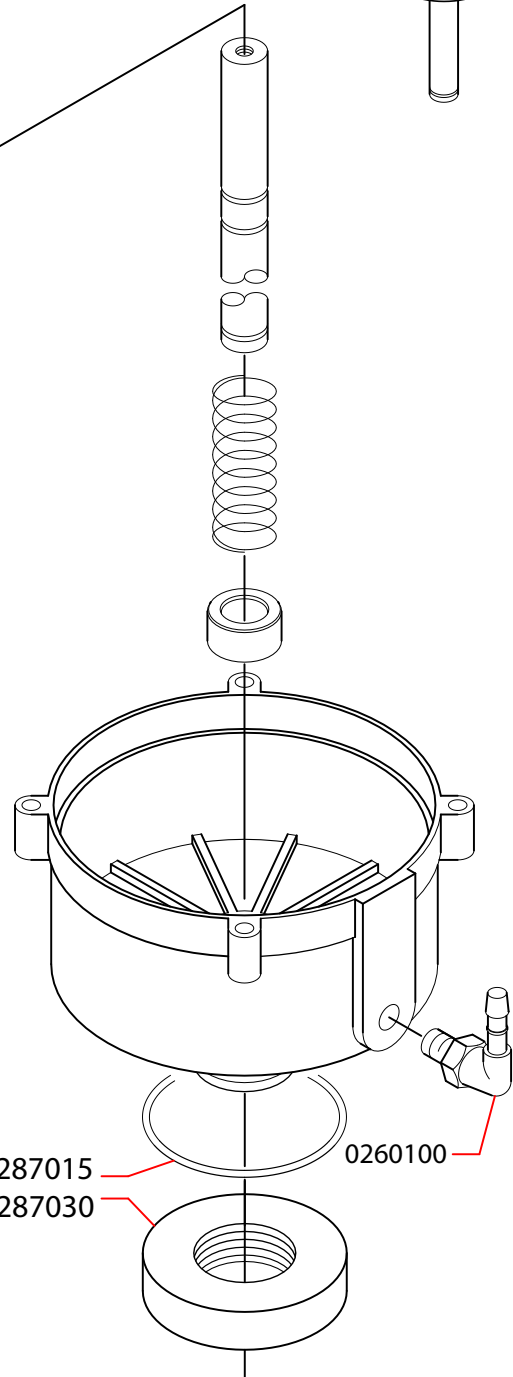
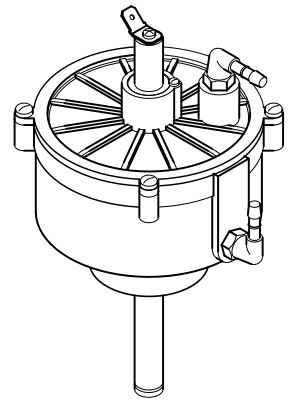
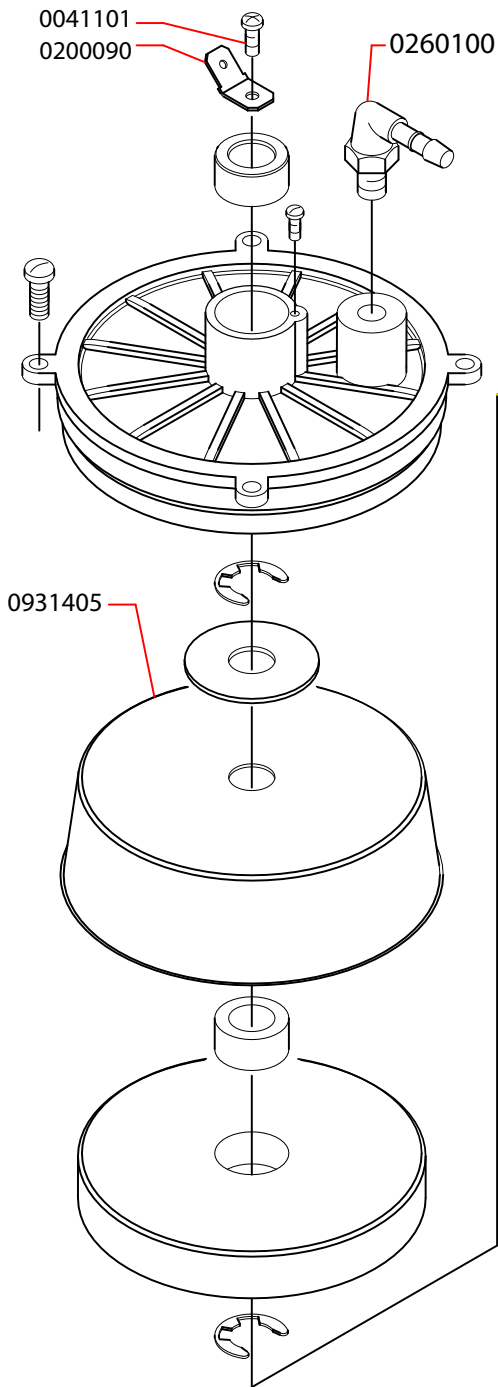
0232018

0223044(230/400 Volt)  
0223038(200 Volt)

Scale:	Name: Exploded View MARLIN 90 (L-SHAPE)
Date: May 2004	
Drawn by: MD	
HENKELMAN B.V. P.O. box 2117 5202 CC 's-Hertogenbosch Tel. ++31(0)73 - 6213671 Fax. ++31(0)73 - 6221318 The Netherlands	A 4 Drawing: Page 3-3 Rev.02




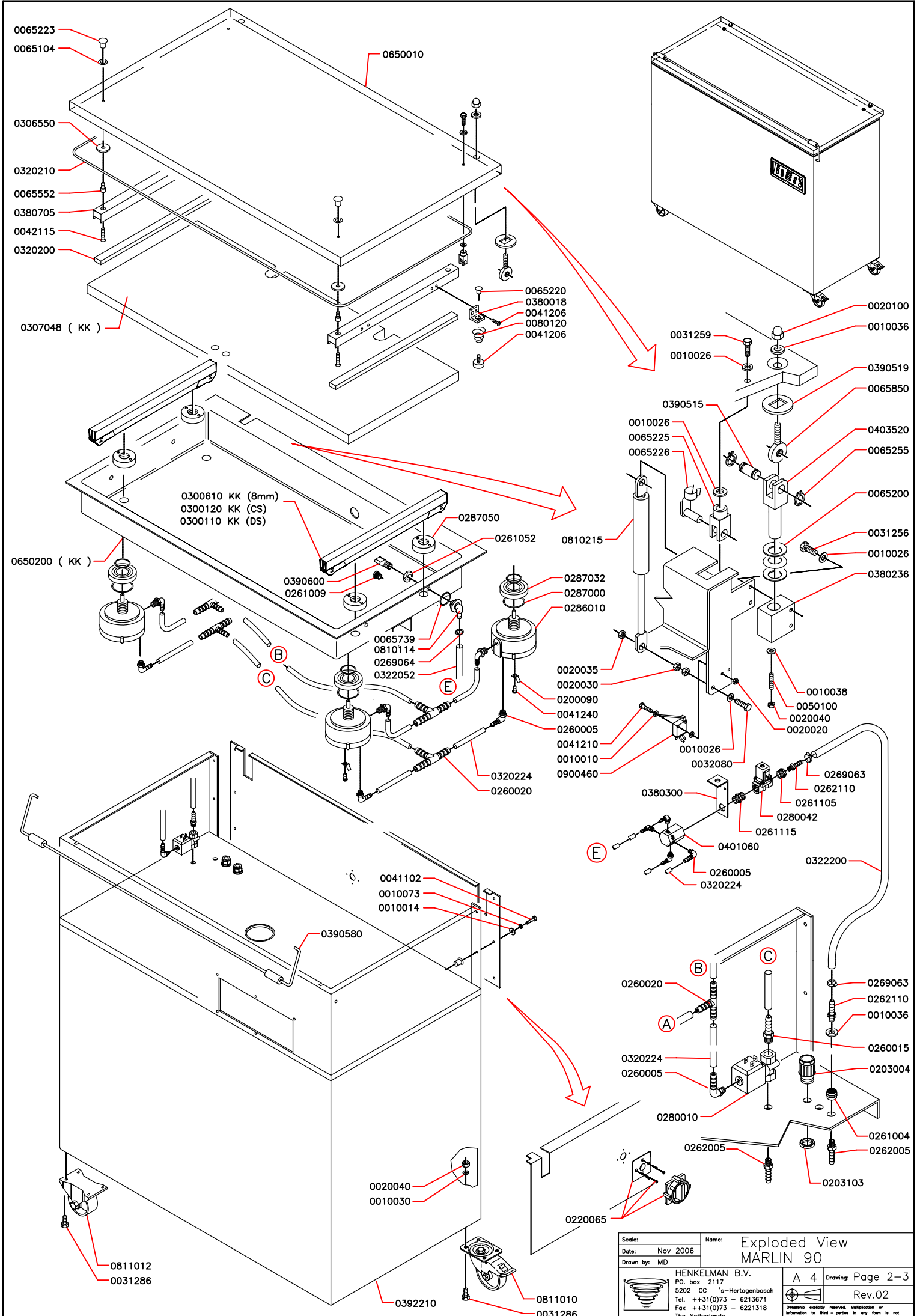
Scale:	Name:	Exploded View		
Date:	Dec 2004	Seal bar Marlin Series		
Drawn by:	MD			
	HENKELMAN B.V.			
	P.O. box 2117			A 4 Drawing: Page 1-1 REV. 01
	5202 OC s-Hertogenbosch			
	Tel. ++31(0)73 - 6213671			
Fax ++31(0)73 - 6221318				
The Netherlands		<small>Ownership explicitly reserved. Multiplication or information to third parties in any form is not permitted without written permission of the owner.</small>		



0286008 J35 / B35

0286010 J42 / B42 XL  
M42 XL  
M90

Scale:	Name: Exploded View
Date: April 2004	Seal cilinder Boxer 42
Drawn by: MD	A 4 Drawing: Page 1-1
 HENKELMAN B.V. PO. box 2117 5202 CC 's-Hertogenbosch Tel. ++31(0)73 - 6213671 Fax ++31(0)73 - 6213118 The Netherlands	Rev.01
	<small>Copyright, explicitly reserved. Duplication or distribution in third parties is not allowed without written permission of the owner.</small>



Scale:	Name:	Exploded View	
Date:	Nov 2006		
Drawn by:	MD		
HENKELMAN B.V. PO. box 2117 5202 CC 's-Hertogenbosch Tel. ++31(0)73 - 6213671 Fax ++31(0)73 - 6221318 The Netherlands		A 4	Drawing: Page 2-3
		Rev.02	
Overname aansprakelijkheid. Replicatie of verspreiding van dit document is niet toegestaan zonder schriftelijke toestemming van de afzender.			

