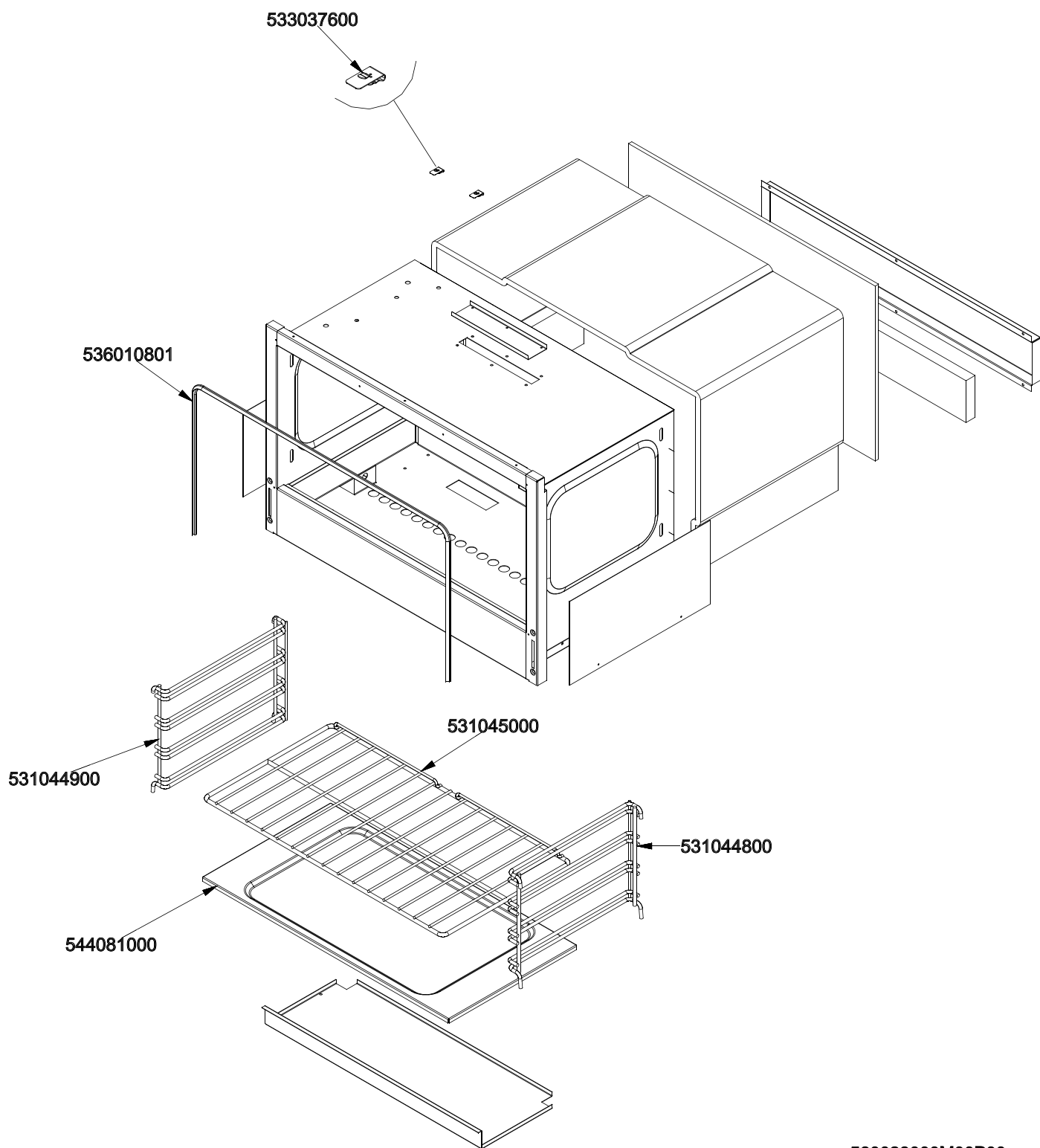
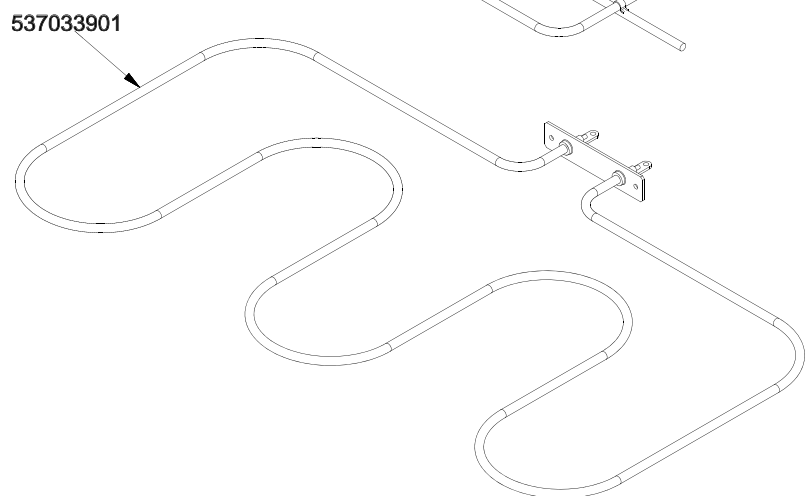
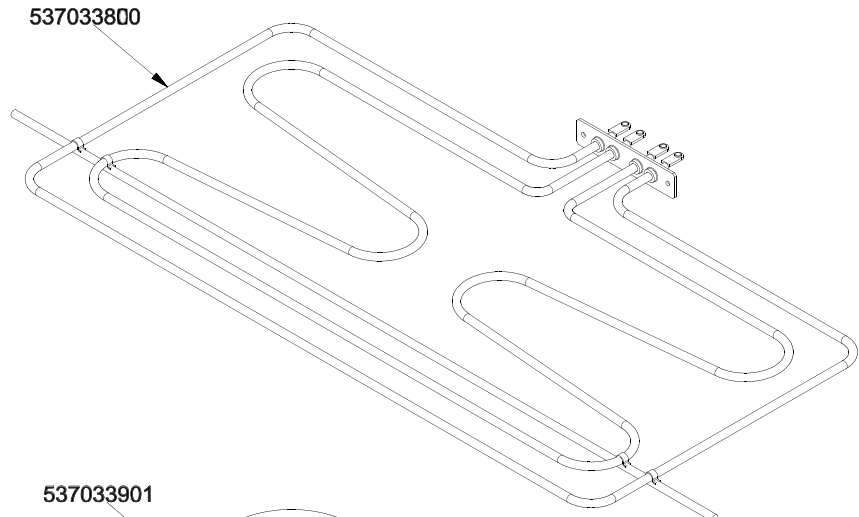
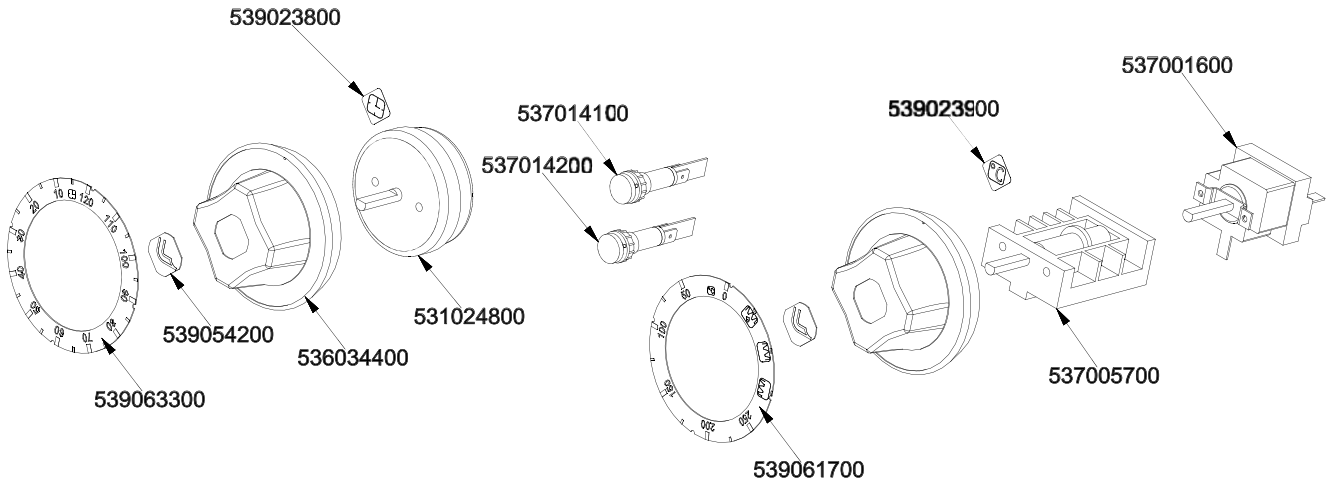
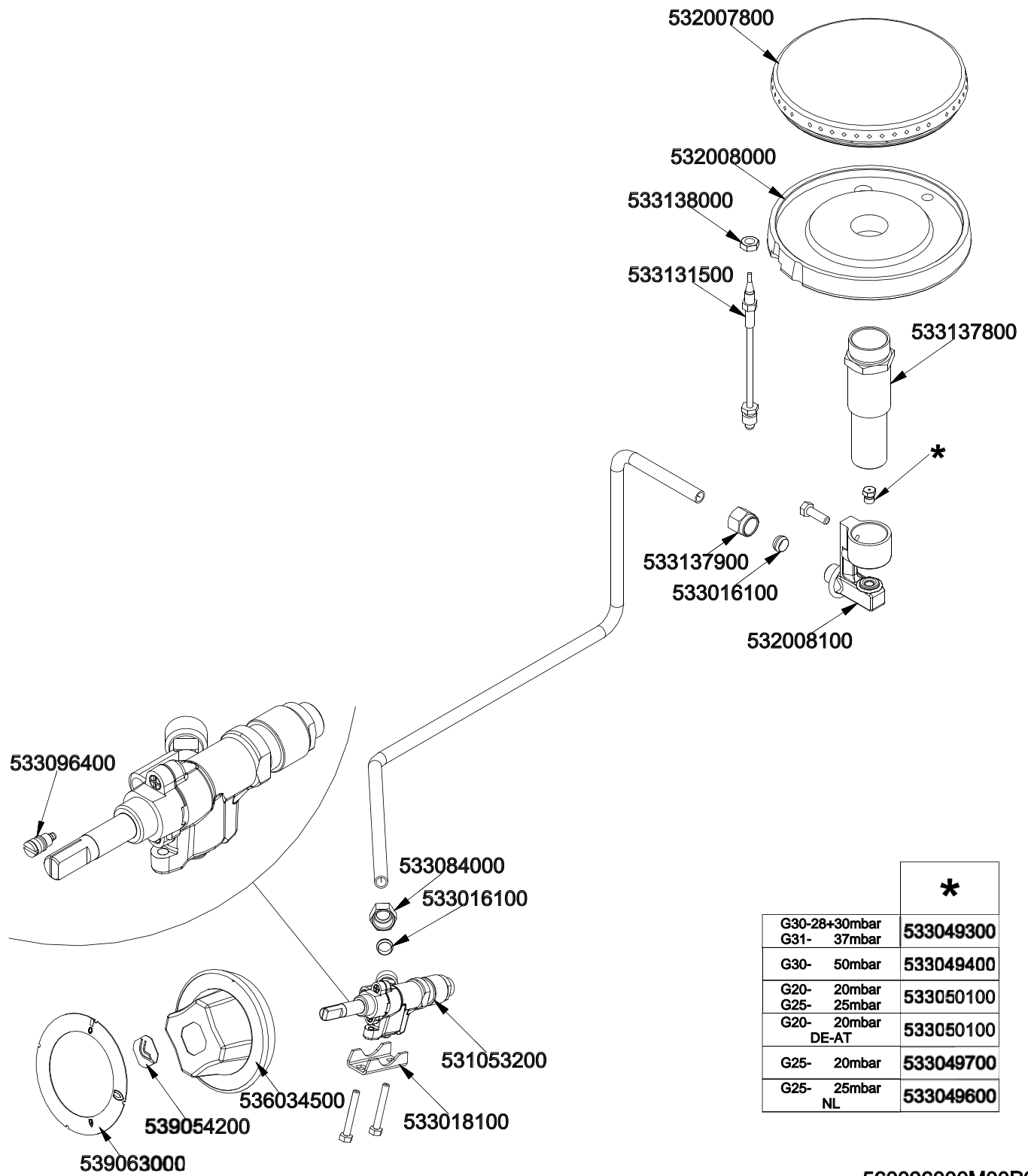


560096100M00P00

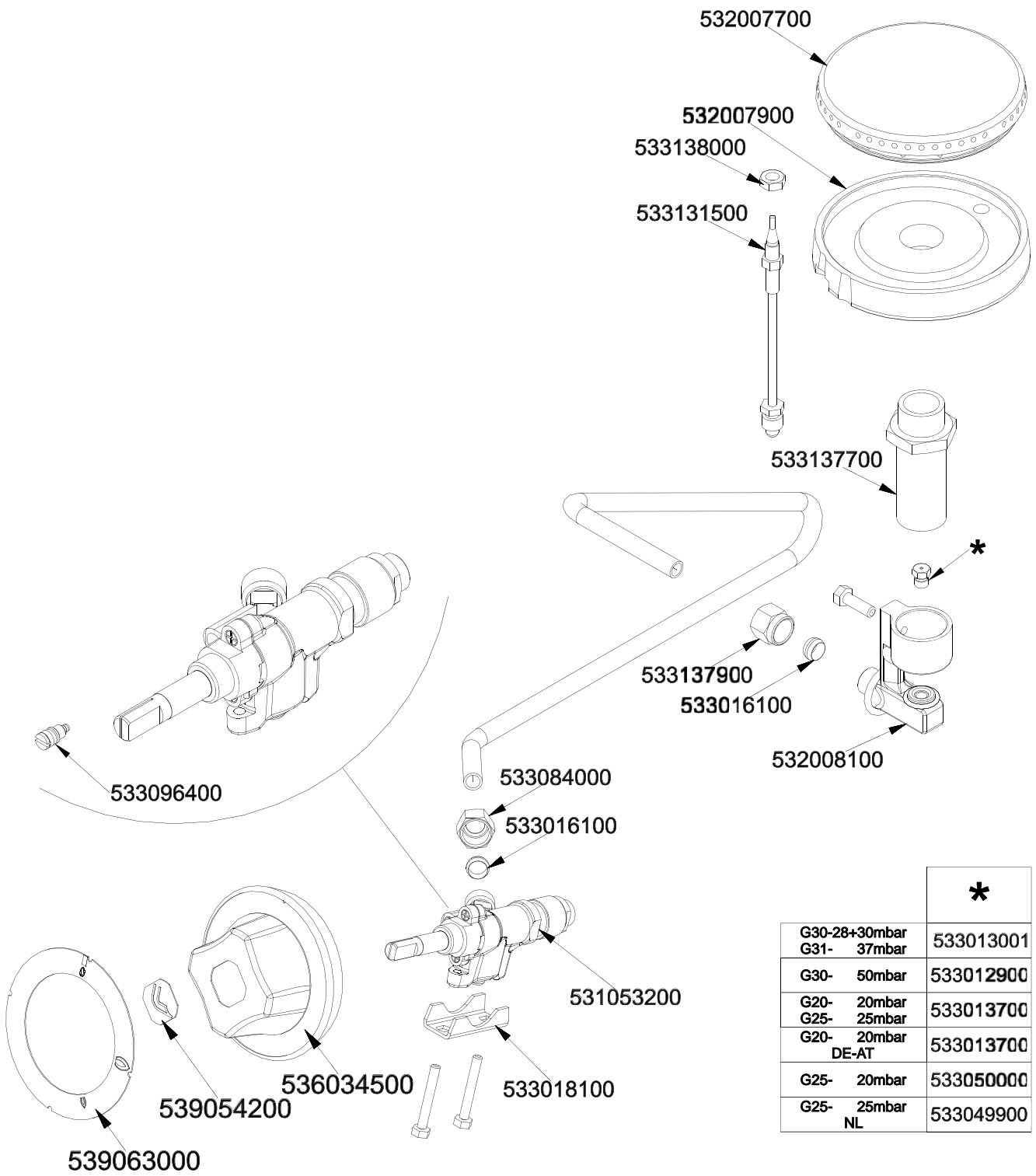


560028000M00P00





560096000M00P00



560095900M00P00

| Page | Pos | Code | Description |
|------|-----|-----------|-------------------------------------|
| 001 | | 532006800 | 2 BURNERS GRID 289X504 60T NIC. |
| 001 | | 532006200 | 2 BURNERS GRID 289X504 60T RAF |
| 001 | | 533070600 | |
| 001 | | 533135700 | SPACER GRILL UK CFPB6-79G |
| 001 | | 541196900 | UPPER PLATE UK CFPB6-79G |
| 001 | | 544680500 | LEFT SIDE OF CFPB6-79G UK |
| 001 | | 537036500 | TERMINAL BLOCK 4POLES 40A SCREW-SCR |
| 001 | | 544679400 | CONTROL PANEL EL.UK |
| 001 | | 544680400 | RIGHT SIDE FRAME CFPB6-79G UK |
| 001 | | 536005200 | INOX LEG 2" 120-180 M10 |
| 002 | | 544679900 | |
| 002 | | 531067100 | |
| 002 | | 544679800 | |
| 002 | | 544680900 | TOP OVEN DOOR HINGE FOR CF UK |
| 002 | | 533035200 | HANDLE SPACER |
| 002 | | 533094200 | S/S HANDLE FOR 70/90 SERIES |
| 002 | | 544679700 | LHD OVEN DOOR * UK CFPB6-789G |
| 002 | | 544679600 | RHD OVEN DOOR * UK CFPB6-789G |
| 002 | | 544681000 | LOWER OVEN DOOR HINGE FOR CF UK |
| 003 | | 533037600 | LOCK SPRING FOR BULB |
| 003 | | 536010801 | OVEN GASKET GN 2/1 (1308 |
| 003 | | 531045000 | GRID OVEN GN 1/1 S55 |
| 003 | | 531044900 | LHD SUPPORT GRID OVEN S55 |
| 003 | | 531044800 | RHD SUPPORT GRID OVEN S55 |
| 003 | | 544081000 | 55 ELECIC OVEN BOTTOM GN1/1 |
| 004 | | 539023800 | LABEL FOR OVEN TIMER |
| 004 | | 537014100 | WHITE WARNING LIGHT 250V |
| 004 | | 537001600 | THERMOSTAT 50-320°C SINGLEPHASE |
| 004 | | 539023900 | SIGN PLATE FOR OVEN TEMPERATURE |
| 004 | | 537014200 | GREEN WARNING LIGHT 250V |
| 004 | | 531024800 | TIMER 120'- 360° |
| 004 | | 539054200 | STAMP Ø20,5 CR."L" LOTUS R. |
| 004 | | 537005700 | OVEN COMMUTATOR CF-8/10 EL. |
| 004 | | 536034400 | KNOB §77 4P. §06*4,6 C/M |
| 004 | | 539063300 | ADESIVE DISK FOR TYMER GREY |
| 004 | | 539061700 | ADESIVE DISK FOR SWITCH OVEN S60 |
| 004 | | 537033800 | HEATING ELEMENT 1250W+2700W 230V |
| 004 | | 537033901 | LOWER H.ELEMENT 1800W 230V 55-OVEN |
| 005 | | 532007800 | BURNER COVER RING Ø120 |
| 005 | | 532008000 | BURNER BODY 6 KW |
| 005 | | 533138000 | BRASS NUT M6X0,75 |
| 005 | | 533131500 | THERMOCOUPLE 600 M6*0,75 |
| 005 | | 533137800 | BURNER VENTURI 6KW UK |
| 005 | | 533137900 | THREADED FITTING FOR BICONE 8S M12 |
| 005 | | 533016100 | BICONE D.8 |
| 005 | | 532008100 | ELBOW 90° NOZZLE-HOLDER §08 PIPE |
| 005 | | 533096400 | |
| 005 | | 533084000 | HEXAGONAL NUT 1/4G ZN TUBE §8 |
| 005 | | 531053200 | §00 BY-PASS SAFETY COCK |
| 005 | | 536034500 | KNOB §77 4P. §08*6,5 |
| 005 | | 533018100 | BRIDLE D.21 |

| Page | Pos | Code | Description |
|------|-----|-----------|-------------------------------------|
| 005 | | 539054200 | STAMP Ø20,5 CR."L" LOTUS R. |
| 005 | | 539063000 | RED STICKING DISK 72 |
| 005 | | 533049300 | NOZZLE §120 CH07*08,8 |
| 005 | | 533049400 | NOZZLE §225 CH12*14 OVEN GN 2/1 |
| 005 | | 533050100 | NOZZLE §185 CH7*8,8 GRILL AARDGAS L |
| 005 | | 533049700 | NOZZLE §135 CH12*14,0 |
| 005 | | 533049600 | NOZZLE §85 CH12*14 F-FQ5 |
| 006 | | 532007700 | BURNER COVER RING Ø090 |
| 006 | | 532007900 | BURNER BODY 3,5 KW |
| 006 | | 533138000 | BRASS NUT M6X0,75 |
| 006 | | 533131500 | THERMOCOUPLE 600 M6*0,75 |
| 006 | | 533137700 | BURNER VENTURI 3,5KW UK |
| 006 | | 533137900 | THREADED FITTING FOR BICONE 8S M12 |
| 006 | | 533016100 | BICONE D.8 |
| 006 | | 532008100 | ELBOW 90° NOZZLE-HOLDER §08 PIPE |
| 006 | | 533084000 | HEXAGONAL NUT 1/4G ZN TUBE §8 |
| 006 | | 533096400 | |
| 006 | | 531053200 | §00 BY-PASS SAFETY COCK |
| 006 | | 533018100 | BRIDLE D.21 |
| 006 | | 536034500 | KNOB §77 4P. §08*6,5 |
| 006 | | 539054200 | STAMP Ø20,5 CR."L" LOTUS R. |
| 006 | | 539063000 | RED STICKING DISK 72 |
| 006 | | 533013001 | NOZZLE §90 CH7*8,8 F-OVEN+GRILL |
| 006 | | 533012900 | NOZZLE §80 CH7*8,8 F-GRILL |
| 006 | | 533013700 | INJECTOR CH07X08,8 Ø140 |
| 006 | | 533050000 | NOZZLE §80 CH12*14 F-FP/CP6 |
| 006 | | 533049900 | NOZZLE D.I 260 G110 (TOWN GAS |