

# HOOD TYPE MACHINE

INSULATED HOOD  
ELECTROMECHANICAL SWITCHES

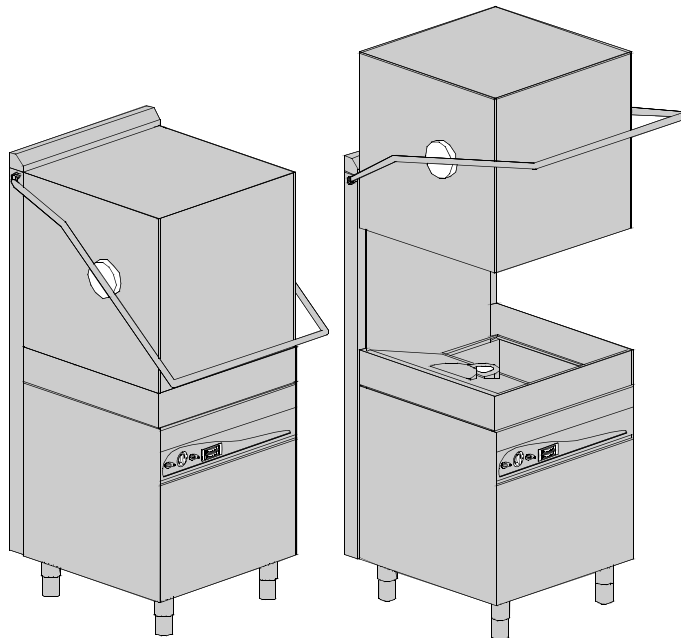
TYPE: 130H

Accessories  
HOOD LIFTING SYSTEM  
BREAK TANK  
BOOSTER PUMP  
DVGW  
WATER SOFTNER  
DETERGENT DISPENSER  
DRAIN PUMP

---

## Spare parts manual

---



## Parti di ricambio Spare Parts Catalogues pièces

### INFORMAZIONI GENERALI

Questo catalogo serve per richiedere con esattezza le parti di ricambio

Nelle ordinazioni indicare:

1) il numero dei codici dei particolari seguito dalla descrizione e la quantità desiderata;

2) Il codice alfa-numeric presente nella seconda colonna della tabella ;

**I disegni delle parti di ricambio sono solo indicativi e non rappresentano il pezzo in oggetto.**

**I dati contenuti in questo catalogo sono indicativi e possono essere soggetti a modifiche senza impegno di preavviso.**

### ALLGEMEINE INFORMATIONEN

Dieser Ersatzteilkatalog dient zur genauen Angabe der Teile bei Ersatzteilbestellungen.

Bei Ersatzbestellung ist folgendes anzugeben:

1) Die Bestellnummer der Ersatzteile mit der entsprechenden Beschreibung genaue Menge;

2) Der alpha-numerischer Code auf der zweiten Reihe in dein Spalte;

**Die Zeichnungen der Ersatzteile sind nur als Hinweise gedacht und stellen nicht das betroffene Teil dar.**

**Bei den im Katalog angeführten Daten handelt es sich um Anhaltsdaten, die jederzeit, ohne Vorankündigung, geändert werden können.**

### GENERAL INFORMATION

The present spare parts order exactly the right spare parts

When ordering specify:

1) the part's code number followed by its description and quantity needed;

2) The alpha-numeric code is in the second column in the chart;

**Spare parts drawings are general and do not represent the part.**

**The contents of this catalogue are general and can undergo changes without prior notice.**

### INFORMACIONES GENERALES

El presente catálogo sirve para pedir con exactitud las partes de repuesto

En los pedidos se debe indicar:

1) el número de código de la parte y a continuación la descripción cantidad deseada;

2) El código alfanumérico presente en la signada columna de la tabla;

**Los diseños de las partes de recambio son solo indicativos y no representan la pieza en cuestión.**

**Los datos contenidos en el presente catálogo son indicativos y pueden modificarse sin aviso previo.**

### INFORMATIONS GENERALES

Ce catalogue permet de commander correctement les pièces détachées

Les commandes doivent être passées en indiquant:

1) le numero de code des pièces détachés suivi de leur description quantité désirée;

2) le code alphanumérique dans la deuxième colonne du tableau;

**Les plans des pièces détachées sont fournis seulement à titre indicatif et ne représentent pas la pièce concernée.**

**Les données de ce catalogue sont citées seulement à titre indicatif et peuvent être l'objet de modifications sans avis préalable.**

### ESEMPIO EXAMPLE EXEMPLE BEISPIEL

Rif.	Codici
MODULE:Particolari	
10505	540903
10510	540908
10515	15065/A
10520	540086
10525	540028

#### Note

Tutte le informazioni riportate si intendono aggiornate alla data di stampa. Il Produttore si riserva il diritto di apportare qualsiasi modifica richiesta dallo sviluppo evolutivo dei suddetti prodotti.

Per la sicurezza, la garanzia, l'affidabilità ed il valore della lavastoviglie usa solo ricambi originali.

#### Attenzione

Questo libretto è parte integrante della lavastoviglie e, in caso di passaggio di proprietà, deve essere consegnato al nuovo acquirente.

#### Remarque

Toutes les informations contenues dans ce manuel s'entendent mises à jour à la date d'impression. En raison du développement constant de ses produits, usine se réserve le droit d'apporter à tout instant les modifications qu'elle jugera utiles.

Pour la sécurité, la garantie, la fiabilité et la valeur de votre lave-vaisselles n'utilisez que des pièces de rechange d'origine.

#### Attention

Ce manuel doit être considéré comme partie intégrante de la lave-vaisselles, en cas de transfert de propriété, doit toujours être remis au nouveau propriétaire.

#### Note

The information contained herein is valid at the time of going to print. The Company reserves the right to make any changes required by the future development of the above-mentioned products.

For your safety, as well as to preserve the warranty reliability and worth of your dishwashers, use original spare parts only.

#### Warning

This manual forms an integral part of the dishwashers and - if a transfer of title occurs - must always be handed over to the new owner.

#### Hinweis

Die Der Hersteller behält sich das Recht vor, jegliche, durch eine Weiterentwicklung der genannten Produkte bedingte Änderungen vornehmen zu können.

Verwenden Sie für Ihre Sicherheit, die Garantie, die Zuverlässigkeit und den Wert Ihrer machine originale Ersatzteile.

#### Achtung

Diese Betriebsanleitung ist Bestandteil des machine und muss bei seinem Weiterverkauf dem neuen Besitzer ausgehändigt werden.

## 1. Spare parts

<b>General body parts.....</b>	<b>7</b>
<b>Closing panelig.....</b>	<b>9</b>
<b>Hood LIFT lifting system .....</b>	<b>11</b>
<b>Control panel and switches.....</b>	<b>13</b>
<b>Electric control components.....</b>	<b>15</b>
<b>Solenoid valve group .....</b>	<b>17</b>
<b>Solenoid valve group .....</b>	<b>19</b>
<b>Break Tank .....</b>	<b>21</b>
<b>Rinse with steady temperature.....</b>	<b>23</b>
<b>Booster pump.....</b>	<b>25</b>
<b>DVGW .....</b>	<b>27</b>
<b>Water softner group.....</b>	<b>29</b>
<b>Rinse aid dispenser group.....</b>	<b>31</b>
<b>Boiler group .....</b>	<b>33</b>
<b>3 ways connection .....</b>	<b>35</b>
<b>Wash pump group.....</b>	<b>37</b>

---

<b>Dosing detergent group.....</b>	<b>39</b>
<b>Dosing detergent group.....</b>	<b>41</b>
<b>Drain pump group.....</b>	<b>43</b>
<b>Pressure switch group with air trap ...</b>	<b>45</b>
<b>Turret group with rotating arms .....</b>	<b>47</b>

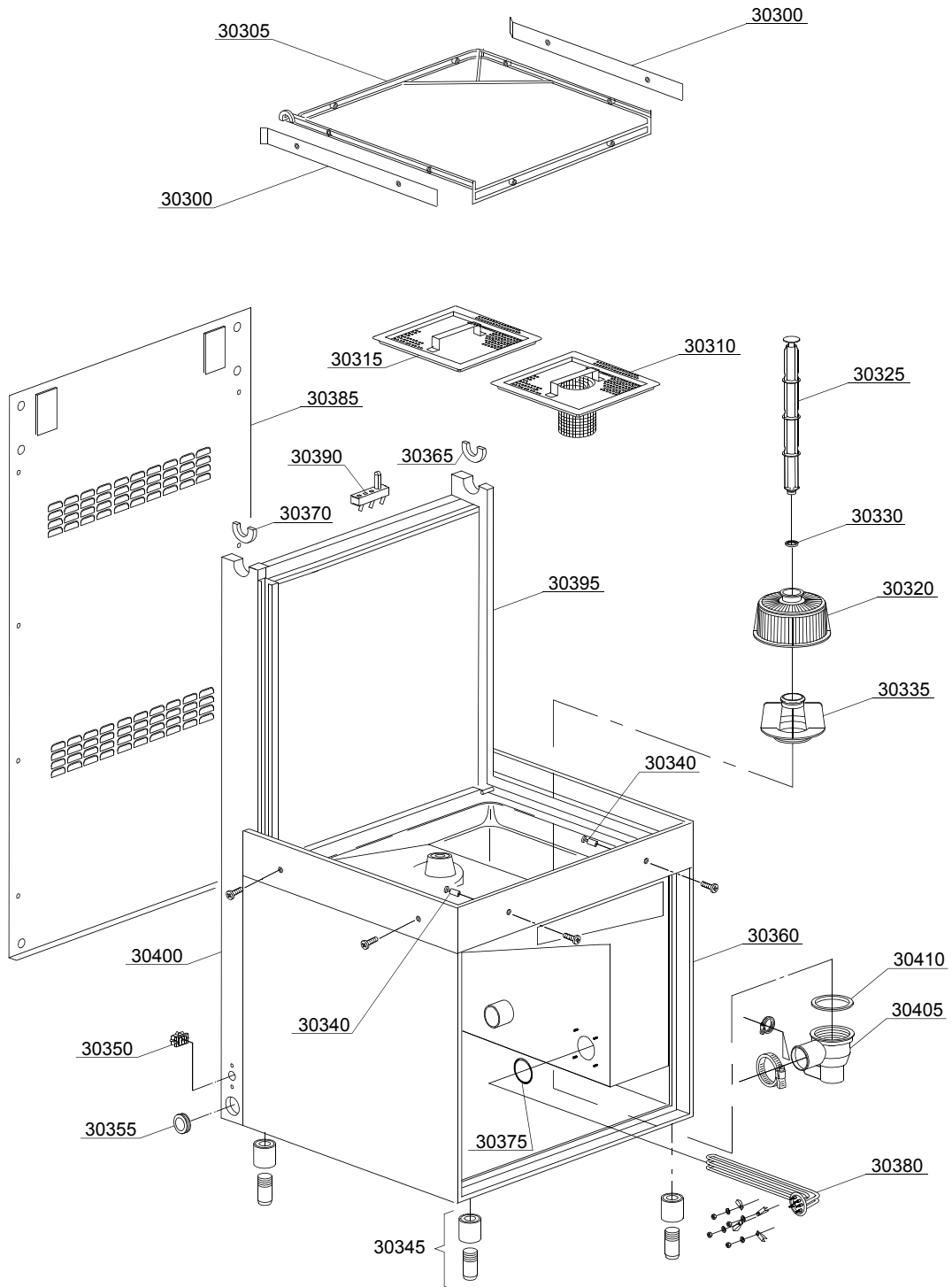
## 1.1 Voltage codes

Voltage code	Voltage
A	3/N/PE~400/230V 50Hz
B	~250V 16A 50Hz
C	3/N/PE~380/220V 50Hz
D	3/PE~200V 50-60Hz
F	2/PE 220-240V 50Hz
G	3/N/PE~415/240V 50Hz
H	3/PE~230V 50Hz
I	3/PE~220V 60Hz
J	3/PE~380 50Hz
K	3/PE~400V 50Hz
L	3/PE~415V 50Hz
M	3/PE~440V 60Hz
N	3/PE~460V 60Hz
O	3/PE~480V 60Hz
P	1/N/PE~220-240V 50Hz
R	2/PE~220-230V 60Hz
S	3/N/PE~400/230V 50Hz
T	3/PE~230V 60Hz

## 1.2 Product codes

Product code	Full name
Model codes	
is	INSULATED HOOD
em	ELECTROMECHANICAL SWITCHES
Type codes	
130H	130H
Accessory codes	
lift	HOOD LIFTING SYSTEM
bt	BREAK TANK
pap	BOOSTER PUMP
dvgw	DVGW
d	WATER SOFTNER
dde	DETERGENT DISPENSER
ps	DRAIN PUMP

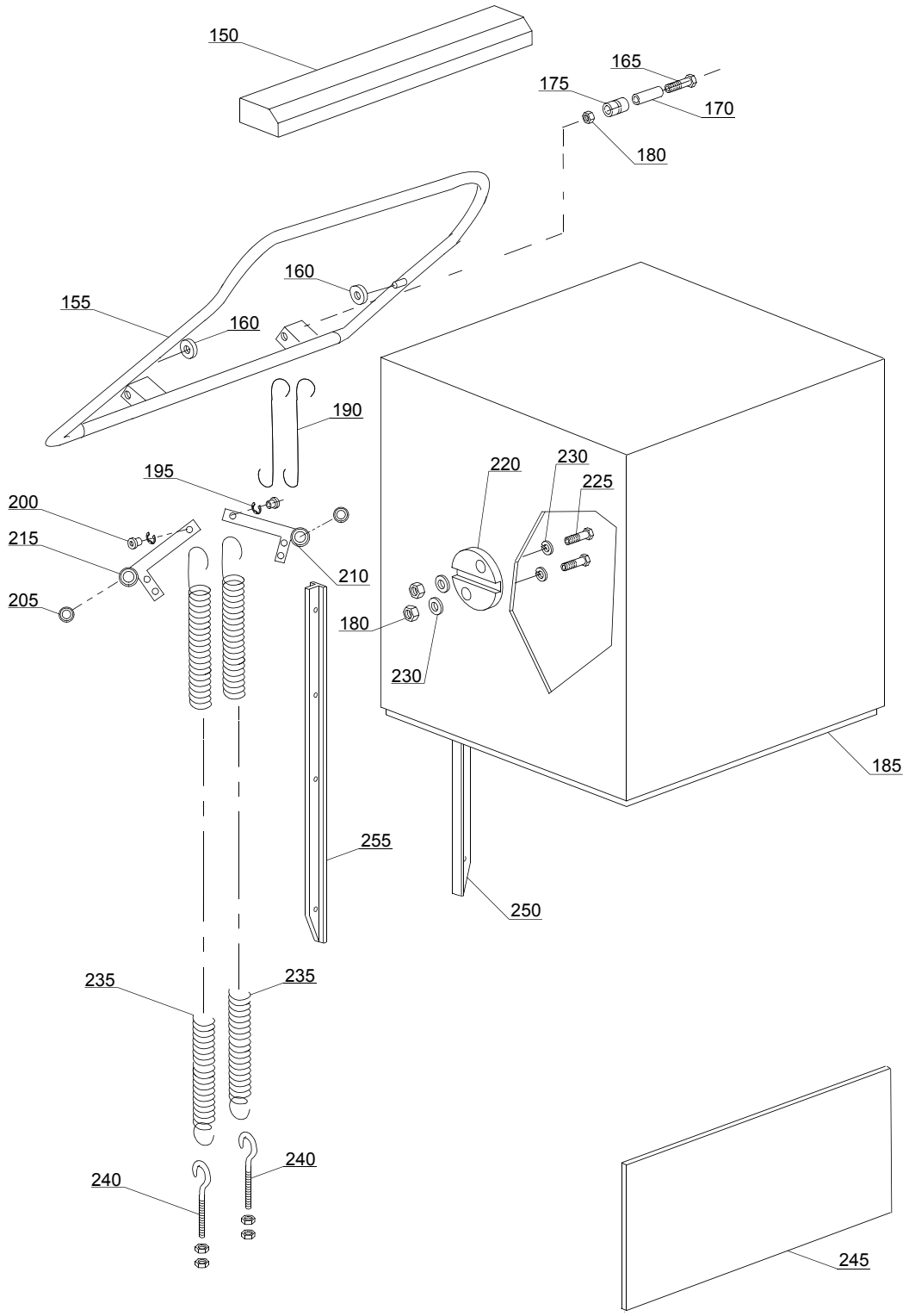
01\_028\_e



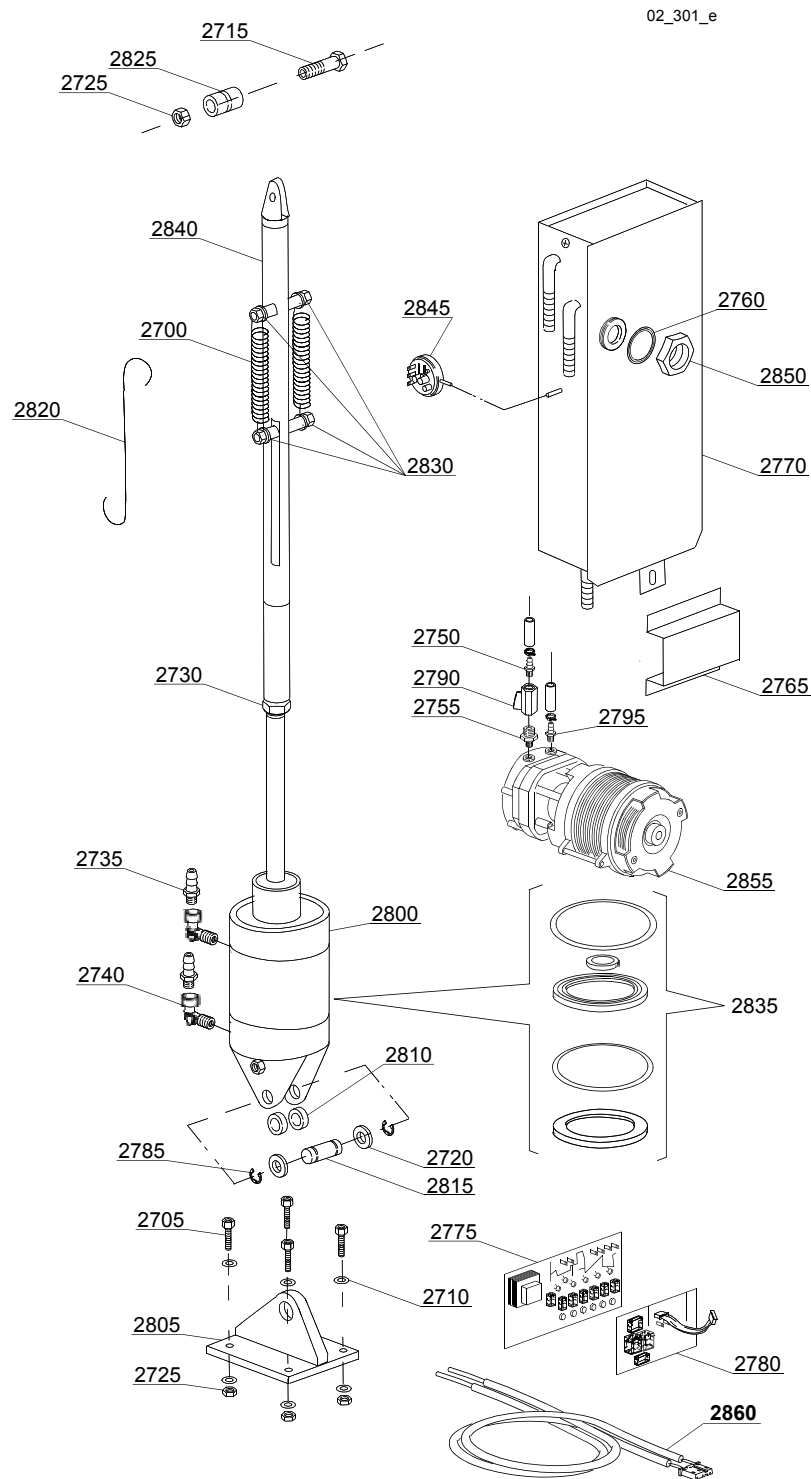
## Spare parts

ID	P-code	Model	Type	Accessory	Voltage	Description
MODULE:General body parts						
30300	10600923		130H			Guide rail
30305	11600001		130H			Rack frame
30310	11600906		130H			Strainer plate with a strainer box
30315	11600907		130H			Strainer plate
30320	500616		130H			Suction filter
30325	11600102		130H			Overflow pipe
30330	13021		130H			DEM 40 O-ring
30335	500615		130H			Ferrule with filter
30340	11600018		130H			Basket support holder pin
30345	15116		130H			Foot
30350	15065/A		130H			Cable-fastener with screw
30355	13324		130H			Cable screw cap
30360	11600960		130H			Frame assembly
30365	11600055		130H			Right/left slide bearing
30370	11600055		130H			Right/left slide bearing
30375	13015		130H			O-ring
30380	15047/A		130H			2,7/2,94KW 230/240V 3 heating element
30385	11600630		130H			Back panel
30390	70305		130H			Hood switch
30395	11600620		130H			Right guide rail support
30400	11600621		130H			Left guide rail support
30405	500605		130H			Outlet connction
30410	80208		130H			95x75x3 O-ring

02\_202\_e



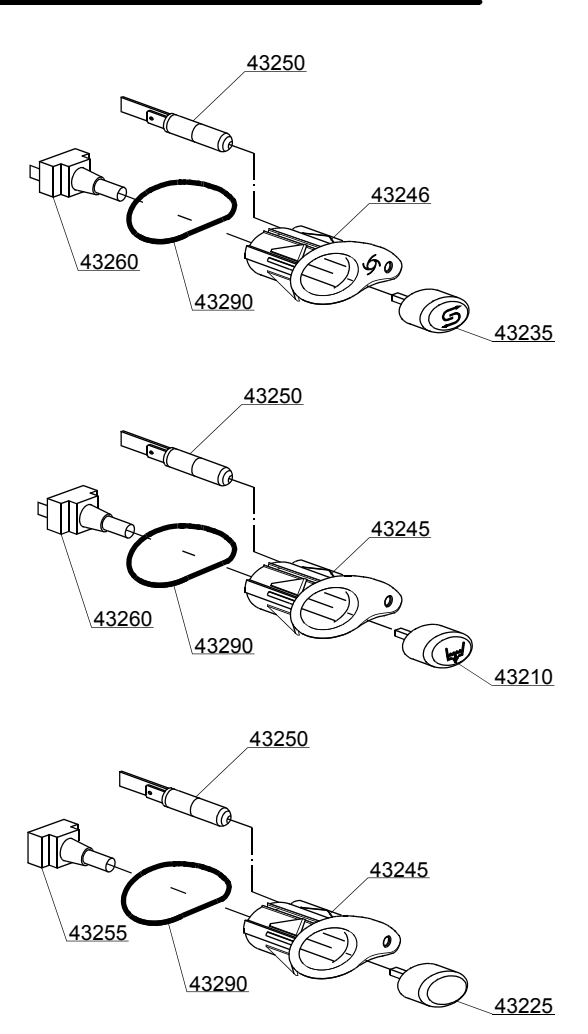
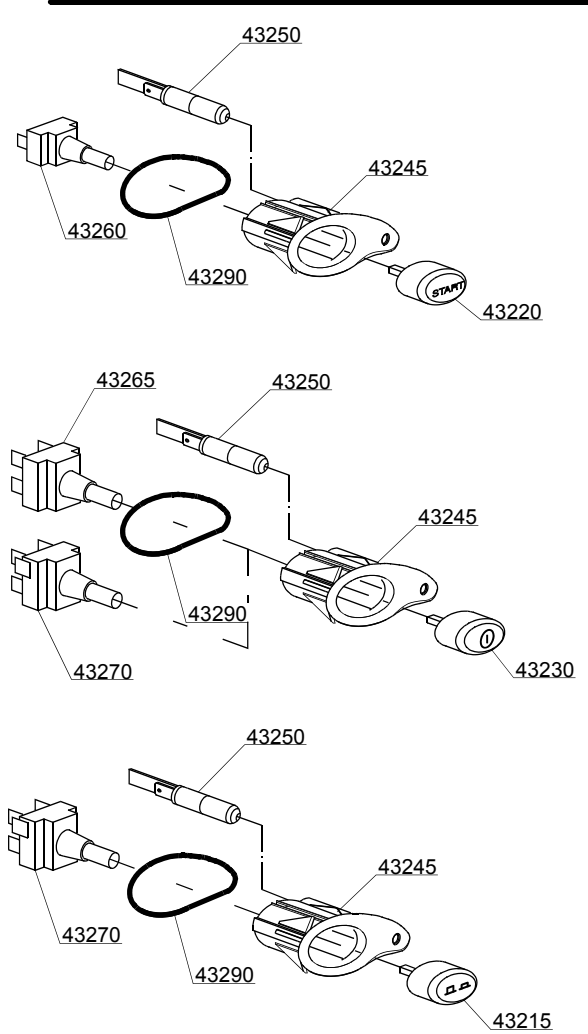
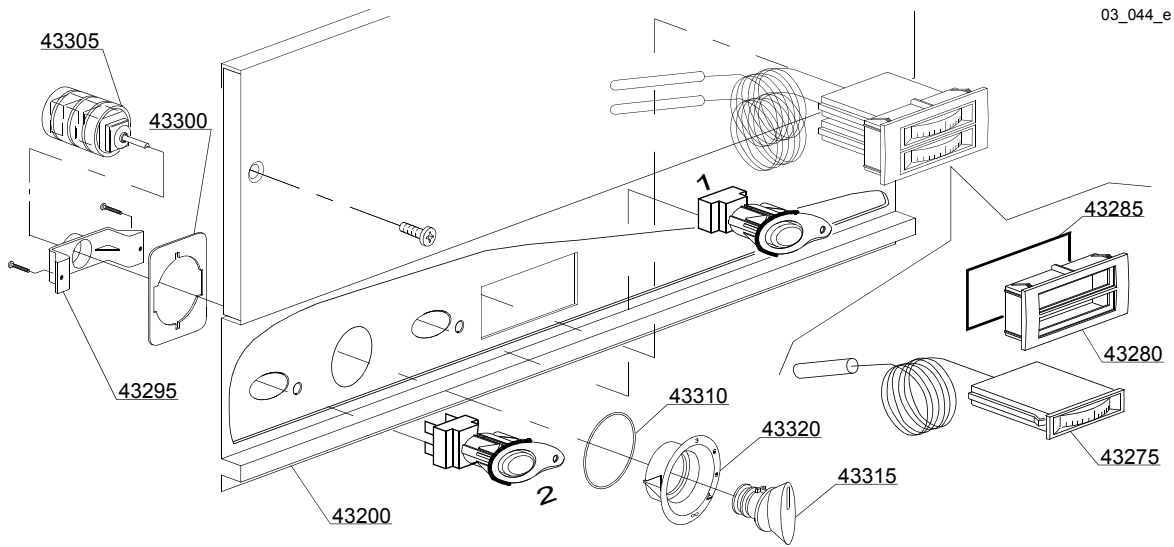
ID	P-code	Model	Type	Accessory	Voltage	Description
MODULE:Closing panelig						
150	11600913		130H			Guide
155	11600910		130H			Handle
160	89919		130H			Bearing
165	11214		130H			Screw
170	11600015		130H			Filter
175	11600014		130H			Roller
180	11718		130H			M8 stainless steel self-locking nut
185	11600902		130H			Hood, complete
190	11600013		130H			Hook
195	11823		130H			Ø10 stainless steel snap ring
200	11600038		130H			Spring bush
205	10800010		130H			Bearing
210	11600026		130H			Elbow, right
215	11600027		130H			Elbow, left
220	11600036		130H			Bearing holder
225	11110		130H			Screw
230	13301		130H			Gasket
235	70302		130H			Hood spring
240	10800210		130H			Hook screw
245	11600616		130H			Front plate
245	11600953		130H			Lower front panel
250	11600028		130H			Guide, right
255	11600029		130H			Guide, left



## Spare parts

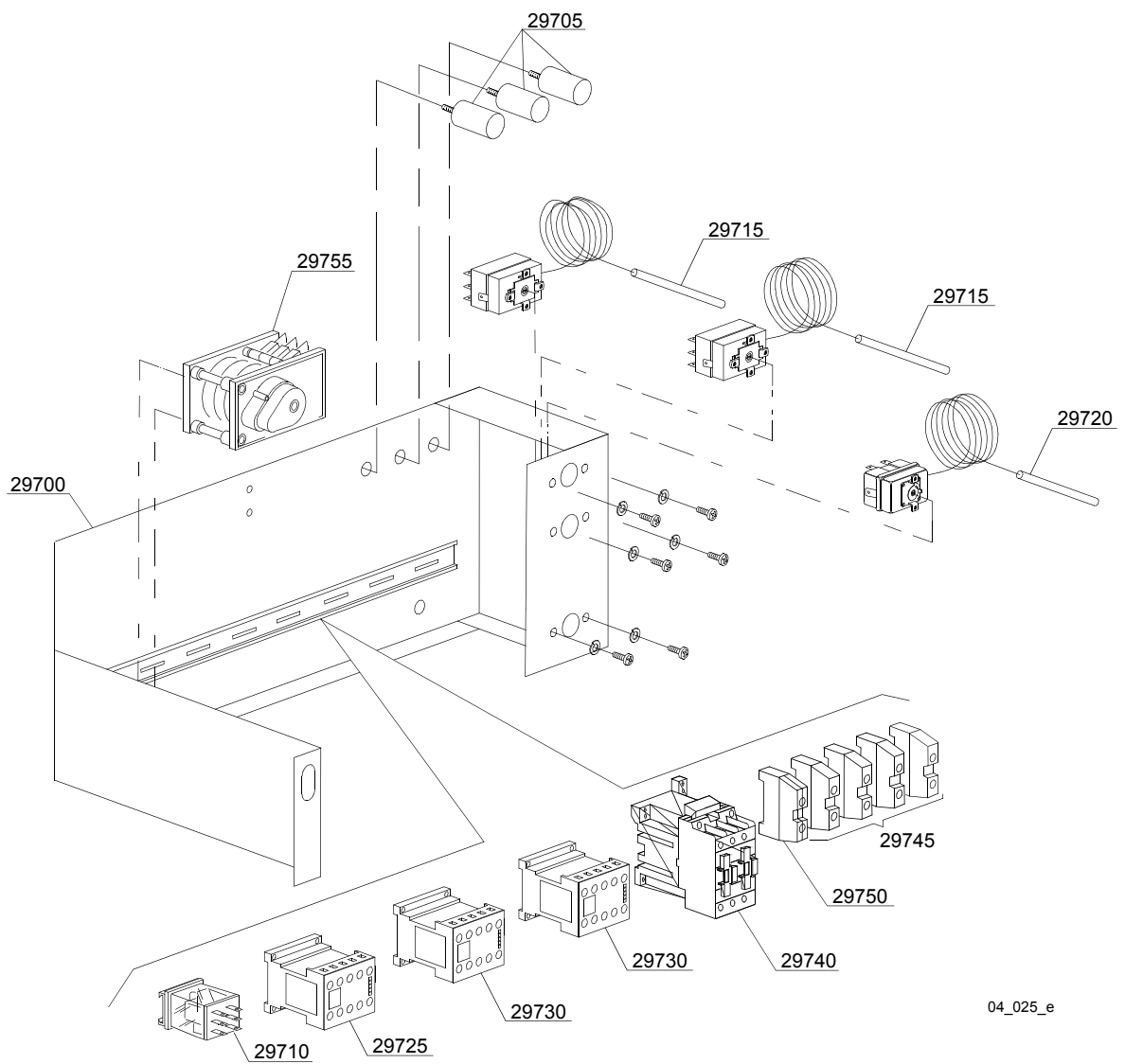
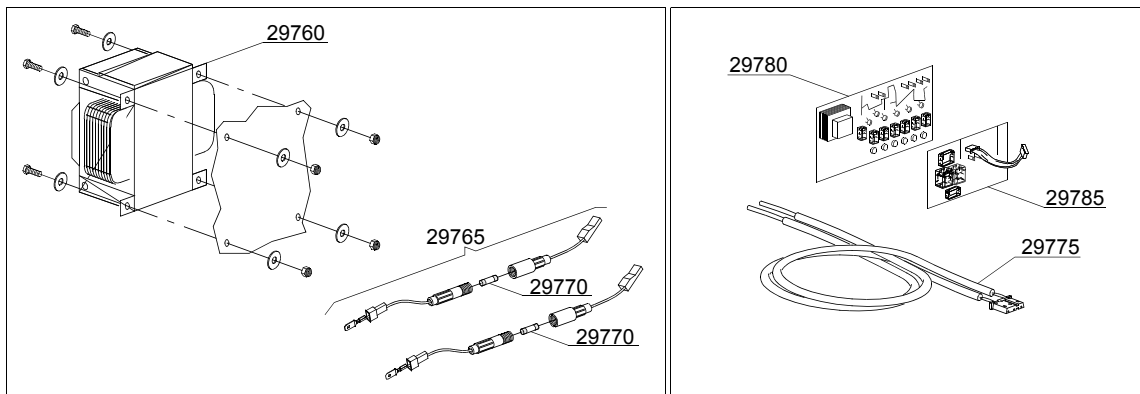
ID	P-code	Model	Type	Accessory	Voltage	Description
MODULE:Hood LIFT lifting system						
2700	10700		130H	lift		Spring
2705	11166		130H	lift		Screw
2710	11177		130H	lift		Plain washer
2715	11215		130H	lift		Screw
2720	11617		130H	lift		Washer
2725	11718		130H	lift		M8 stainless steel self-locking nut
2730	11720		130H	lift		M16 stainless steel nut
2735	12005		130H	lift		Rubber-holder
2740	12012		130H	lift		M/F 1/4 Elbow
2750	12013		130H	lift		Hose coupling - 10mm - 3/8"
2755	12034		130H	lift		Reduction nipple 3/8" - 1/2"
2760	13305		130H	lift		44x32x3 O-ring
2765	15738		130H	lift		Overflow cover
2770	15745		130H	lift		Water receiver
2775	50569		130H	lift		Electronic Card without Chip
2775	50557		130H	lift		Timer
2780	50559		130H	lift		Circuit board DP
2785	3002069		130H	lift		Stainless steel snap ring
2790	3002140		130H	lift		FF 1/2 tap
2795	10221311		130H	lift		Hose coupling - 12mm - 3/8"
2800	11600042		130H	lift		Hydraulic piston
2805	11600043		130H	lift		Flange for piston
2810	11600044		130H	lift		Spacer for flange joint
2815	11600045		130H	lift		Piston axel pin for flange
2820	11600046		130H	lift		Piston movement bar
2825	11600047		130H	lift		Strengthened bushing
2830	11600049		130H	lift		Pins spring attachment
2835	11600053		130H	lift		Gasket kit hydraulic piston
2840	11600917		130H	lift		Piston lifting arm
2845	10706/A		130H	lift		47-27 pressure switch
2850	11701/A		130H	lift		Stainless steel nut
2855	15100/D		130H	lift		Booster pump 220-240/50
2860	50562		130H	lift		Sensor

03\_044\_e



## Spare parts

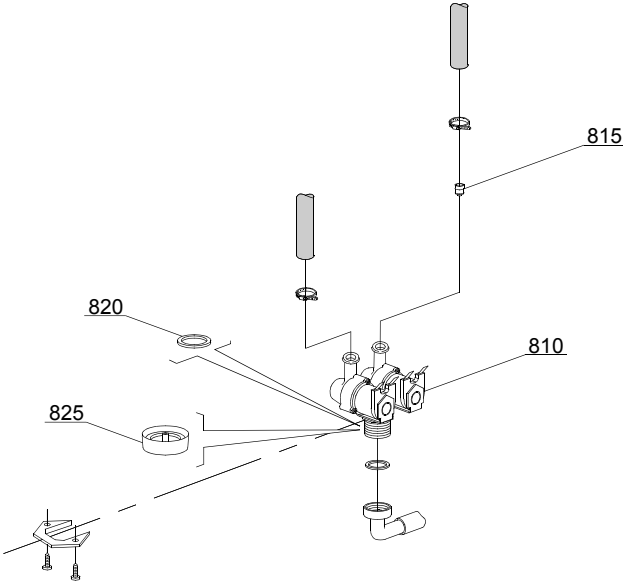
ID	P-code	Model	Type	Accessory	Voltage	Description
MODULE:Control panel and switches						
43200	76011		130H			Control panel
43210	89343		130H			Drain pump push button (OPTIONAL)
43215	89342		130H			Time selector switch push button
43220	89341		130H			Start push button
43225	89348		130H			Blind push button
43230	89340		130H	ws		ON-OFF push button
43235	89345		130H			Regeneration push button (OPTIONAL)
43246	86001		130H			Cycle push button support
43245	86003		130H			Push button support
43250	15826		130H			Pilot lamp 220V
43255	15844		130H			Push button support
43260	15813		130H			16A unipolar switch
43265	15800		130H			16A bipolar switch
43265	15812		130H			16A switch
43270	15811		130H			16A bipolar switch
43270	15811/A		130H			16A bipolar switch
43275	10500011		130H			Thermometer
43280	89306		130H			Double thermometer support
43285	89331		130H			OR O-ring
43290	86006		130H			OR O-ring
43295	89322		130H			Selector switch screw retainer support
43300	89323		130H			Screw retainer
43305	10300208		130H			Timer selector
43310	89332		130H			OR O-ring
43315	89321		130H			Selector switch handle control
43320	89349		130H			Selector switch support



04\_025\_e

## Spare parts

ID	P-code	Model	Type	Accessory	Voltage	Description
MODULE:Electric control components						
29700	11600955		130H			Electric component panel
29705	15149		130H			Low noise filter
29710	560301		130H	lift		Relay
29710	560302		130H	ws		Relay
29715	10707/1		130H			0-90°C thermostat
29720	2000430		130H			Overheat protector
29725	10300392		130H			3NA/1NC contactor - 240Vac 50Hz
29730	15086		130H			Contactor TLV, TLB
29730	15086/B		130H			Contactor 240V 50Hz
29740	10300050		130H			Contactor TLP
29740	10300052		130H			36A/20A contactor - 230V 50/60HZ
29740	10300054		130H			25A/16A contactor - 230V 50/60HZ
29745	10300401		130H			Connecting piece
29750	10300403		130H			Connecting piece
29755	10300122		130H			50/100/150"timer
29760	15381		130H			160Va transformer
29765	15147		130H			Fuse-holder
29770	15163		130H			Fuse
29775	50562		130H	ws, lift		Sensor
29780	50569		130H			Electronic card without chip
29780	50557		130H	ws, lift		Timer
29785	50559		130H	dp, ws, lift		Circuit board DP

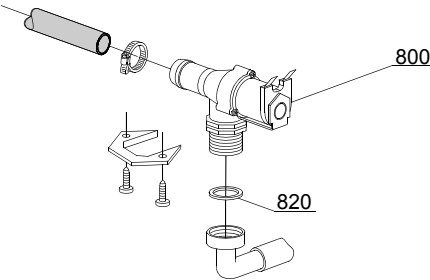


05\_003\_e

## Spare parts

---

ID	P-code	Model	Type	Accessory	Voltage	Description
MODULE: Solenoid valve group						
810	15098		130H	cr,ws		Double solenoid valve - Ø10
810	30001001		130H	lift		Double solenoid valve - Ø12
820	N.C.		130H	cr,ws		Pression reducing valve

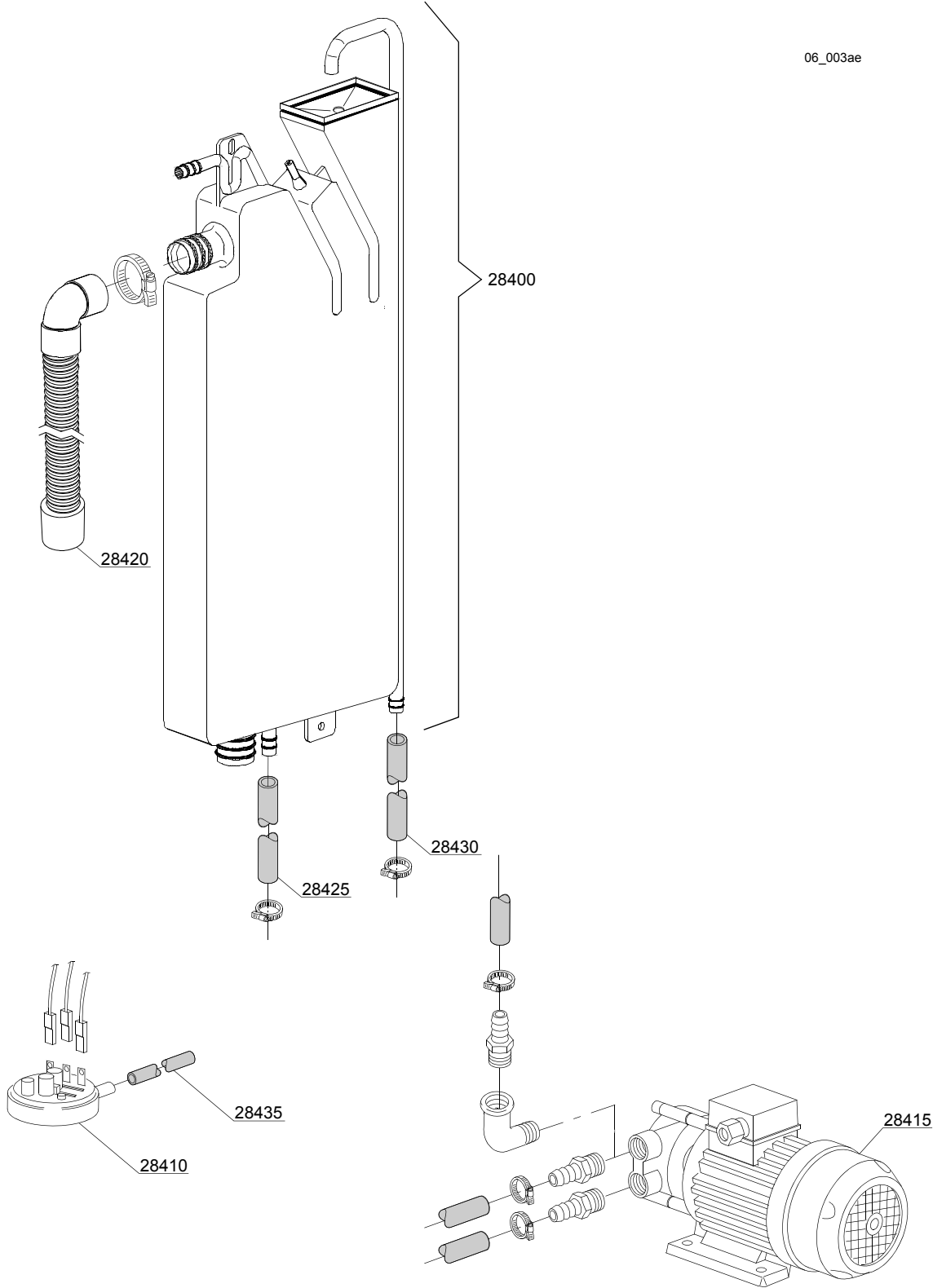


05\_005\_e

## Spare parts

---

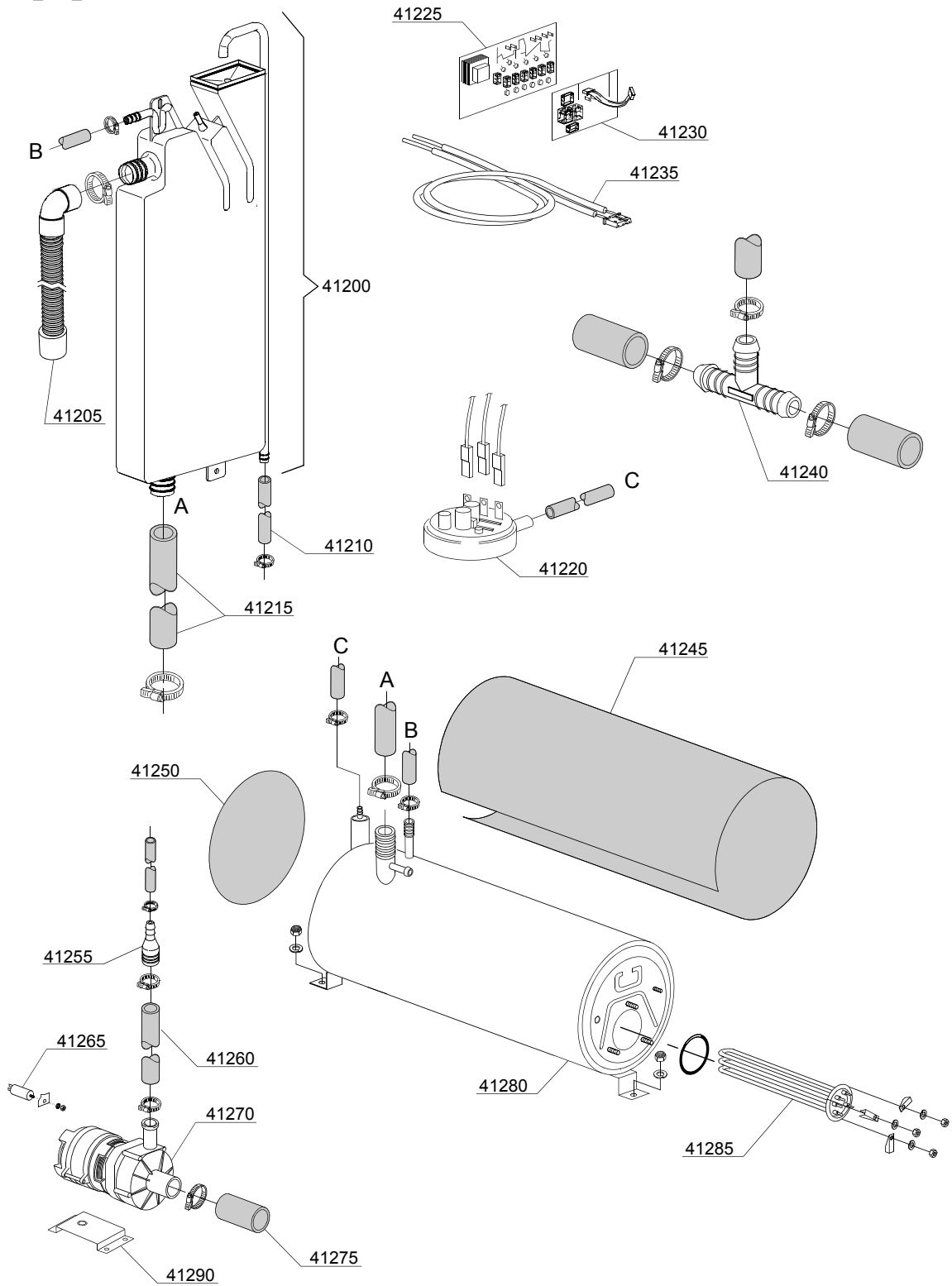
ID	P-code	Model	Type	Accessory	Voltage	Description
MODULE: Solenoid valve group						
800	30001000		130H			Solenoid valve
820	N.C.		130H			Pression reducing valve



## Spare parts

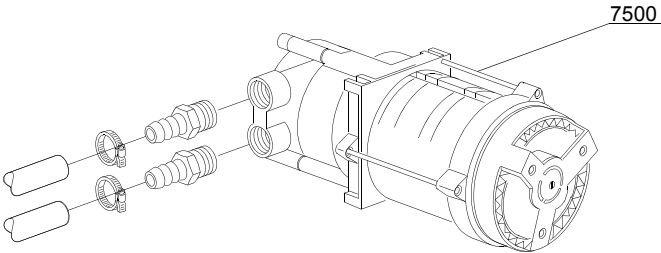
ID	P-code	Model	Type	Accessory	Voltage	Description
MODULE:Break Tank						
28400	15720		130H	bt		Break tank assembly
28410	10706/A		130H	bt		47-27 pressure switch
28415	15100		130H	bt		Booster pump 0,5HP 220/240V
28415	15100/D		130H	bt		Booster pump 0,5HP 220/240V
28420	15721		130H	bt		BT long pipe L=1070
28420	15722		130H	bt		BT middle pipe L=920
28420	15723		130H	bt		BT small pipe L=920
28425	2907350		130H	bt		12x20 EPDM rubber hose
28430	2907352		130H	bt		PVC WRAS rubber hose
28435	14508		130H	bt		4,5x9 EPDM rubber hose

06\_005\_e



## Spare parts

ID	P-code	Model	Type	Accessory	Voltage	Description
MODULE:Rinse with steady temperature						
41200	15720		130H			Break tank assembly
41205	15721		130H			BT middle pipe L=920
41210	2907352		130H			PVC WRAS rubber hose
41215	x		130H			Pipe coupling
41220	10706/A		130H			34-100 pressure switch
41225	50569		130H			Electronic Card without Chip
41230	50559		130H			Circuit board DP
41235	50562		130H			Sensor
41240	540098		130H			3 ways D25
41245	30002030		130H			Insulation boiler
41250	75205		130H			Ø160 end piece
41255	3003063		130H			Reducer
41260	10718		130H			Pump pipe coupling
41265	10702		130H			5 uF condenser
41270	10508		130H			Rinsing pump
41275	10718		130H			Pump pipe coupling
41280	11600104		130H			Boiler
41285	30001011		130H			Element 8,5kW
41290	440122		130H			Pump support

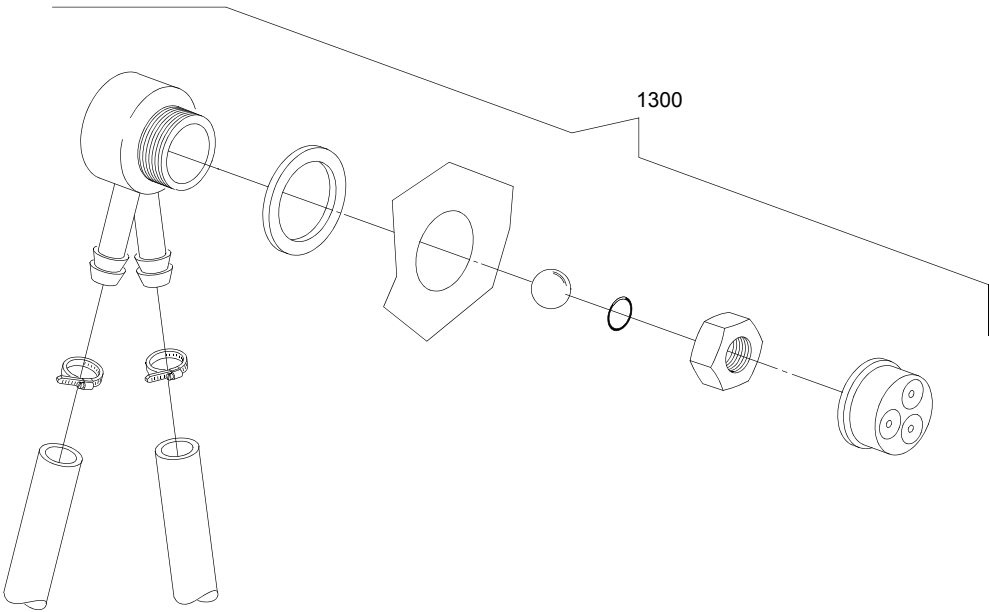


07\_003\_e

**Spare parts**

---

ID	P-code	Model	Type	Accessory	Voltage	Description
MODULE:Booster pump						
7500	15100/D		130H	bp		Booster pump 220-240/50



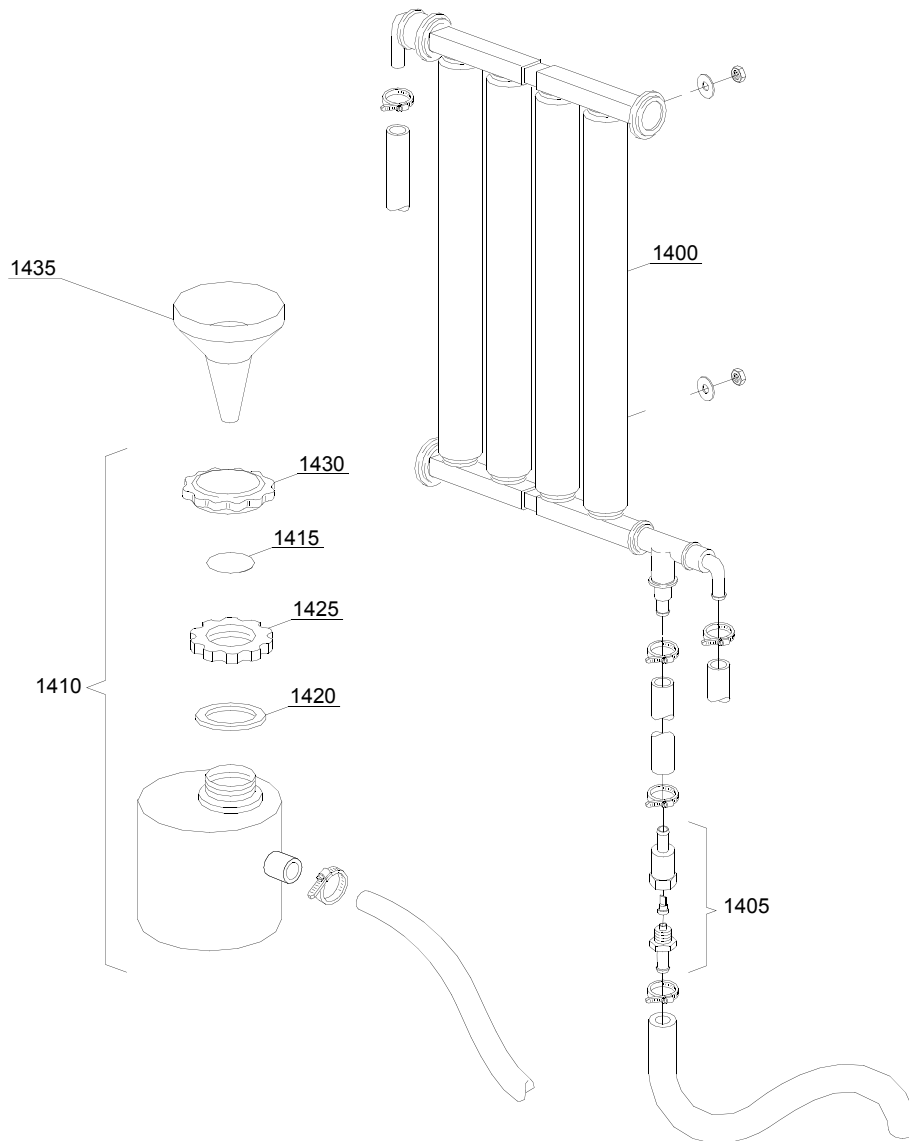
08\_005\_e

**Spare parts**

---

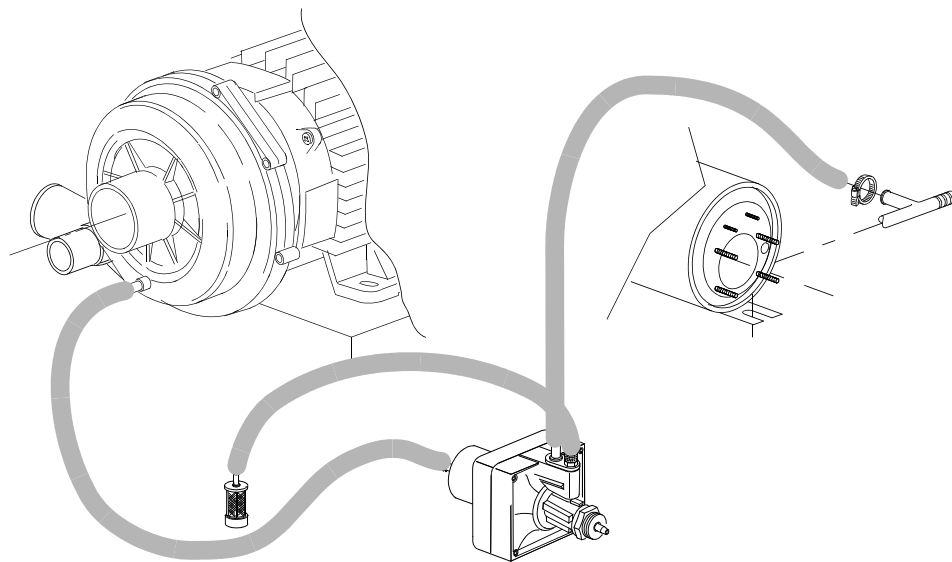
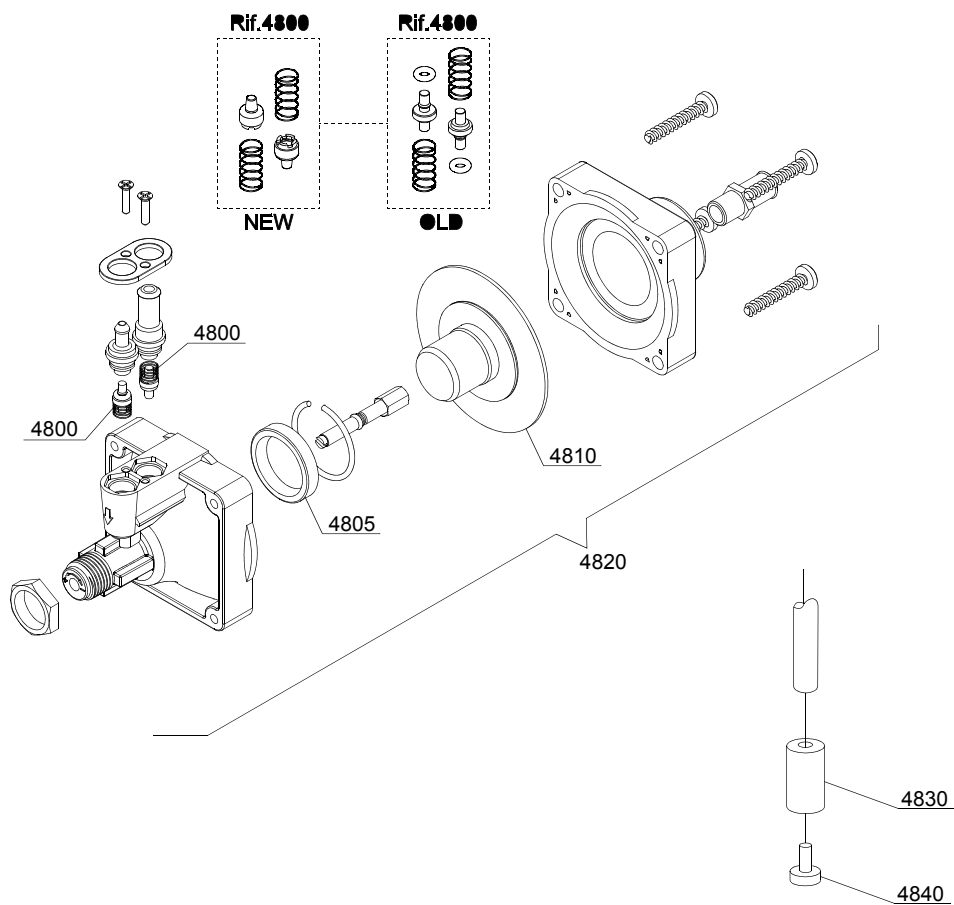
ID	P-code	Model	Type	Accessory	Voltage	Description
MODULE:DVGW						
1300	999900006		130H	dvgw		DVGW assembly

09\_001\_e



## Spare parts

ID	P-code	Model	Type	Accessory	Voltage	Description
MODULE:Water softner group						
1400	16066		130H	ws		4 elements water softner
1405	16070		130H	ws		Nonreturn valve
1410	16065		130H	ws		Salt container
1415	16067/A		130H	ws		OR O-ring
1420	16067/B		130H	ws		O-ring
1425	16067/C		130H	ws		Ring nut
1430	16067/D		130H	ws		Plug
1435	16082		130H	ws		Funnel

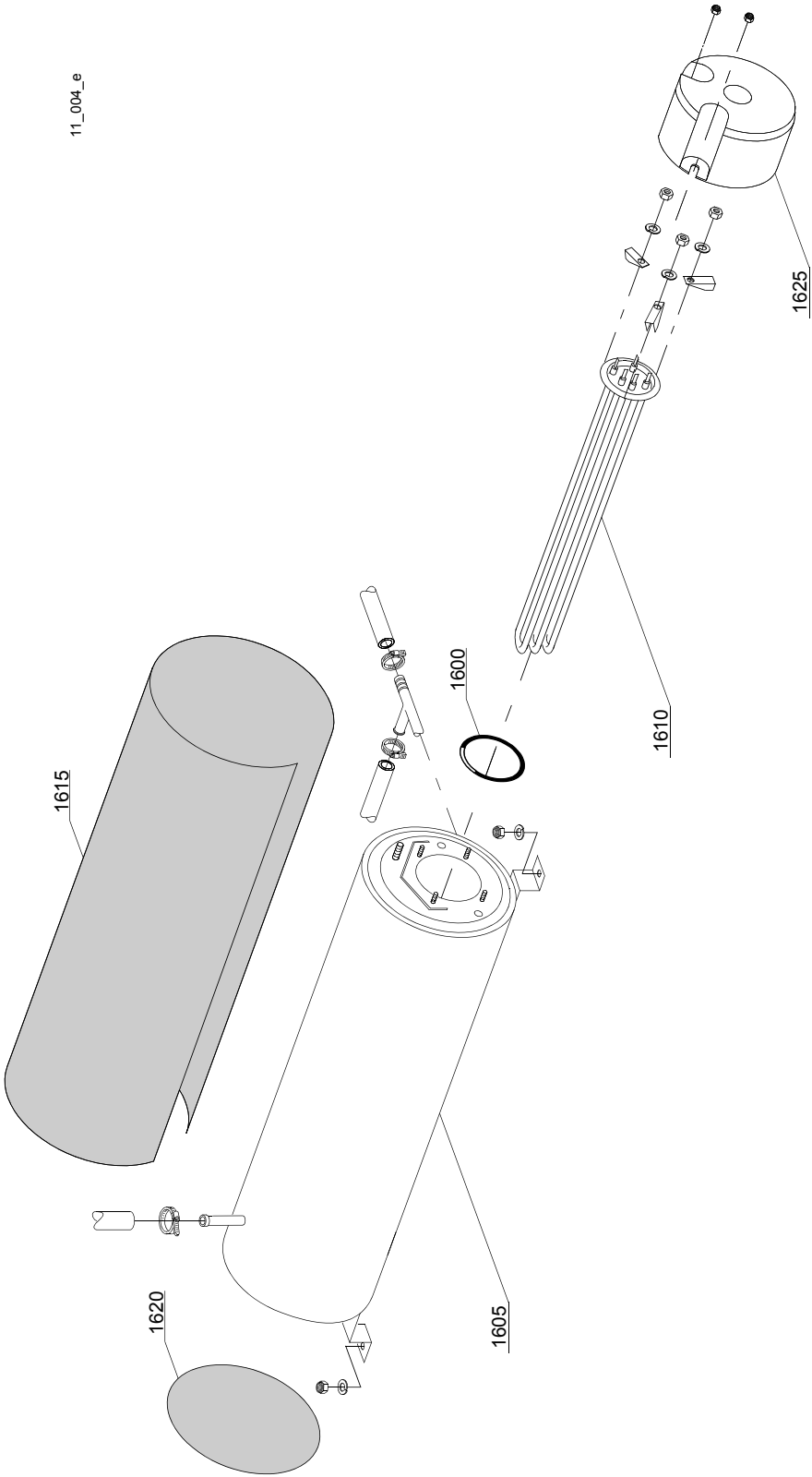


10\_004ae

## Spare parts

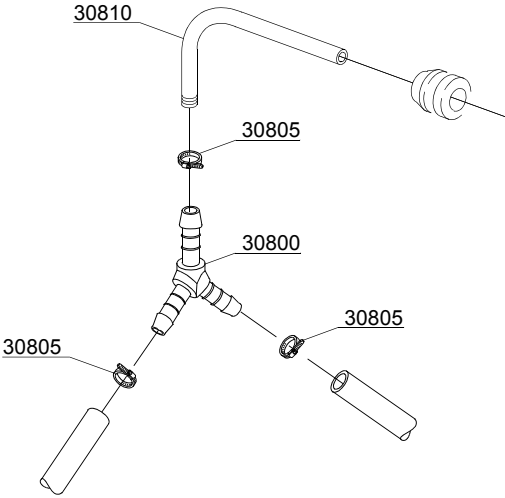
---

ID	P-code	Model	Type	Accessory	Voltage	Description
MODULE: Rinse aid dispenser group						
4800	10805		130H			Tecnopro non return valve
4805	10806		130H			Ø22 O-ring
4810	10807		130H			Membrane
4820	10799		130H			Rinse aid dispenser
4830	12525		130H			Counter-weight
4840	15058		130H			Small filter



## Spare parts

ID	P-code	Model	Type	Accessory	Voltage	Description
MODULE:Boiler group						
1600	13015		130H			O-ring
1605	22002		130H			Boiler
1610	30001010		130H			6/6,53KW 230/240/3 heating element
1610	30001011		130H			Element 9kW
1610	30001011/A		130H			12/13,07KW 230/240V 3 heating element
1615	30002030		130H			Insulation boiler
1620	75205		130H			Ø160 end piece
1625	75311		130H			Heating element cover

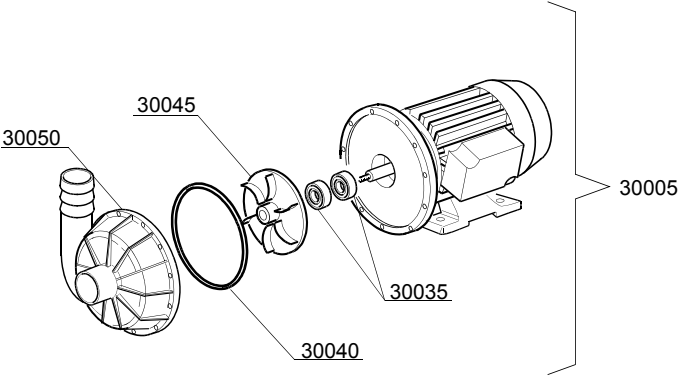
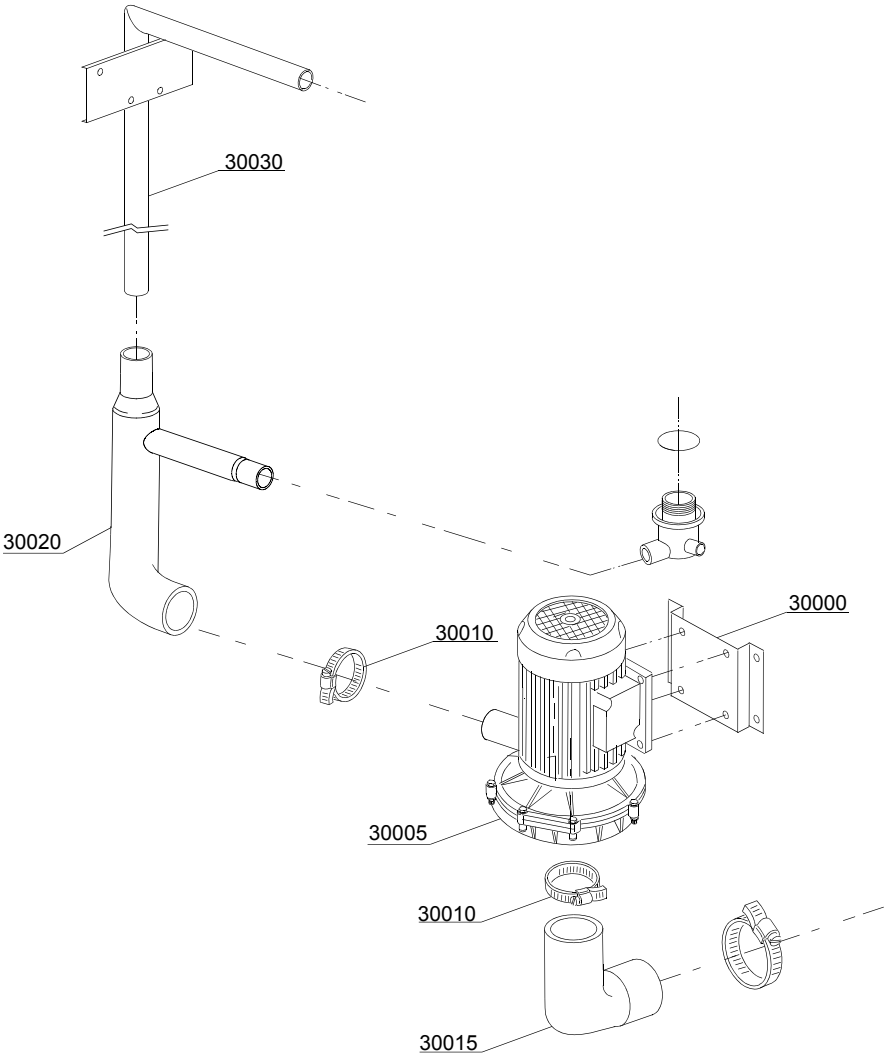


12\_003\_e

## Spare parts

---

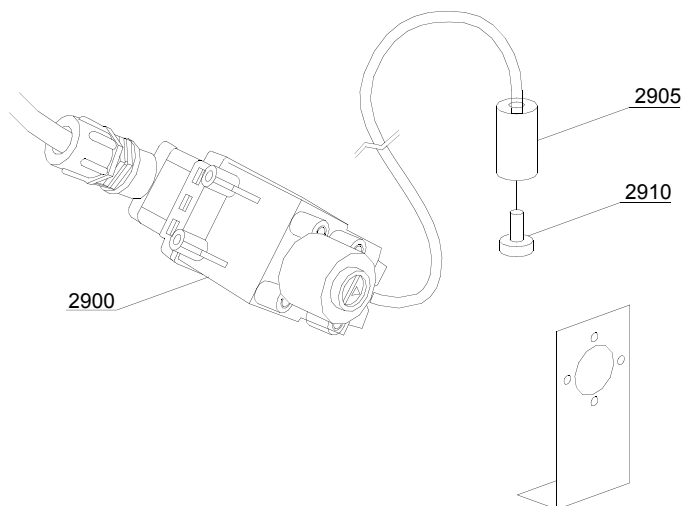
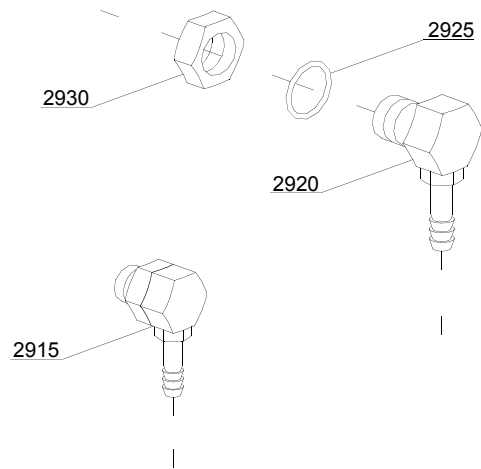
ID	P-code	Model	Type	Accessory	Voltage	Description
MODULE:3 ways connection						
30800	540091		130H			Ø12 mm plastic 3 ways connection
30805	11807		130H			Clamp
30810	15168		130H			Rinse pipe



## Spare parts

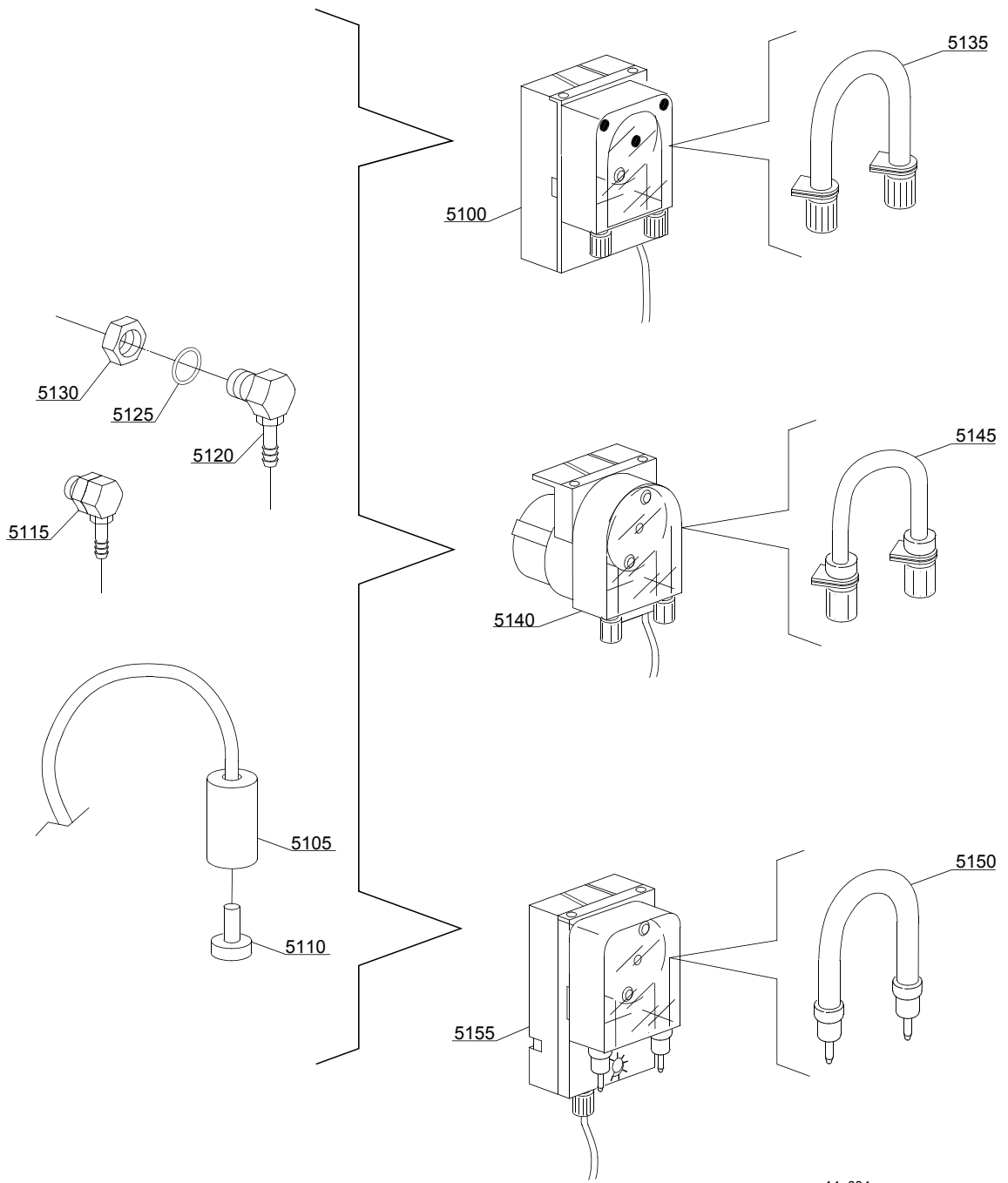
ID	P-code	Model	Type	Accessory	Voltage	Description
MODULE:Wash pump group						
30000	11600623		130H			Pump base
30005	22037		130H			2Hp pump
30010	11824		130H			Clamp
30015	11600100		130H			Suction pipe coupling
30020	11600101		130H			Pressure rubber hose
30025	11809		130H			Clamp
30030	11600103		130H			Wash ramp
30035	15080		130H			Rotating seals
30040	10200290		130H			OR 1225 O-ring
30050	10200222		130H			Scroll

14\_002\_e



## Spare parts

ID	P-code	Model	Type	Accessory	Voltage	Description
MODULE:Dosing detergent group						
2900	15108/L		130H	dd		Lang detergent pump
2905	12525		130H	dd		Counter-weight
2910	15058		130H	dd		Small filter
2915	15123		130H	dd		Compleat plastic injector
2920	15148		130H	dd		Steel injector
2925	15159		130H	dd		OR O-ring
2930	10200205		130H	dd		M12x1 stainless steel nut

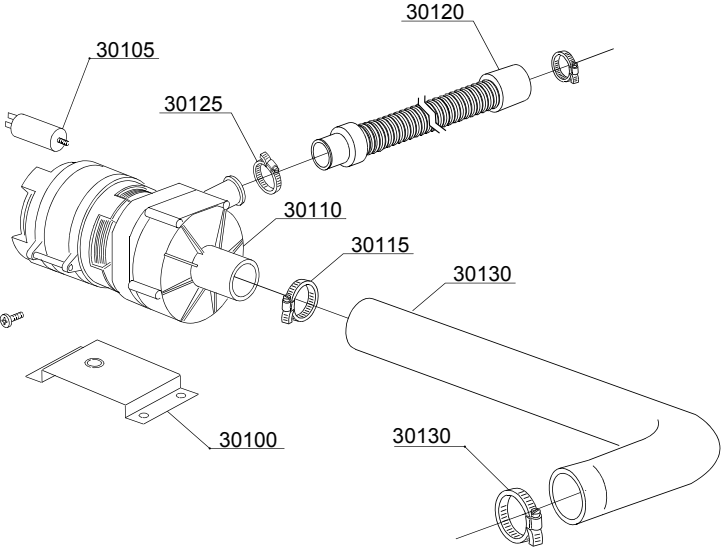


14\_004\_e

## Spare parts

ID	P-code	Model	Type	Accessory	Voltage	Description
MODULE:Dosing detergent group						
5100	15985		130H	dd		Seko detergent pump
5105	12525		130H	dd		Counter-weight
5110	15058		130H	dd		Small filter
5115	15123		130H	dd		Compleat plastic injector
5120	15148		130H	dd		Steel injector
5125	15159		130H	dd		OR O-ring
5130	10200205		130H	dd		M12x1 stainless steel nut
5135	15185		130H	dd		Seko thermoplastic pipe
5140	15985		130H	dd		Germac detergent pump
5145	15108/E		130H	dd		Germac thermoplastic pipe
5150	15985/A		130H	dd		PLAS CONT Thermoplastic pipe
5155	15985		130H	dd		PLAS CONT detergent pump

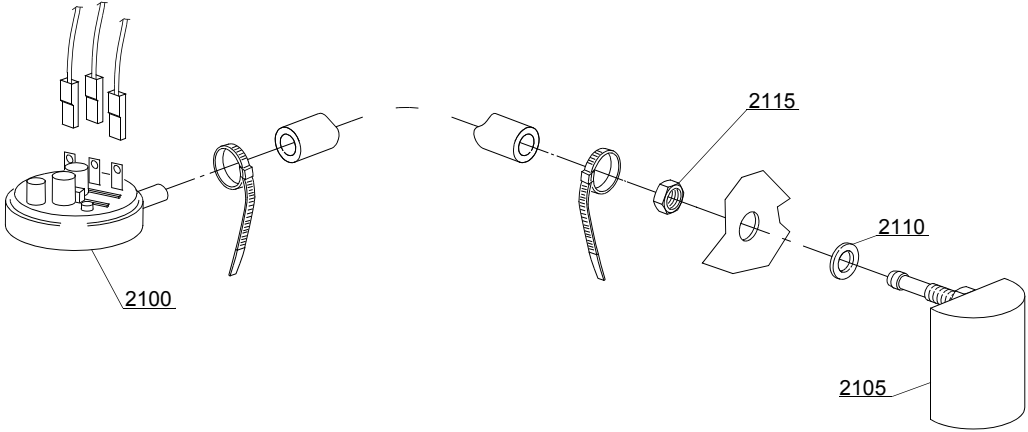
15\_005\_e



## Spare parts

---

ID	P-code	Model	Type	Accessory	Voltage	Description
MODULE:Drain pump group						
30100	440122		130H	dp		Pump support
30105	10702		130H	dp		5 uF condenser
30110	10501/A		130H	dp		Drain pump (extra equipment)
30115	11806		130H	dp		25/40 clamp
30120	10727		130H	dp		Drain pipe
30125	11809		130H	dp		Clamp
30130	18788		130H	dp		Drain rubber elbow

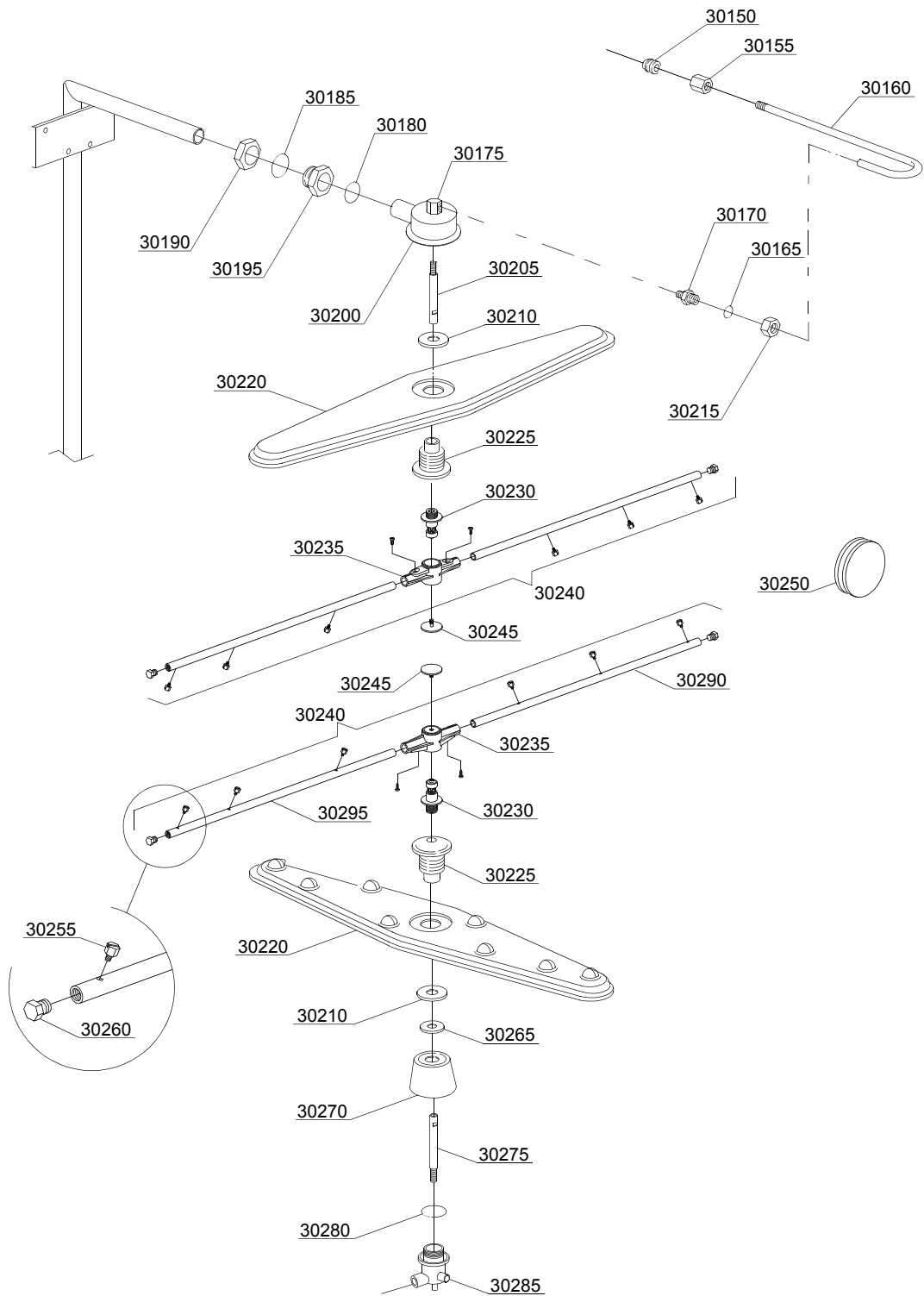


16\_001\_e

## Spare parts

---

ID	P-code	Model	Type	Accessory	Voltage	Description
MODULE:Pressure switch group with air trap						
2100	88110		130H			Pressure switch PR
2105	135911		130H			Air trap
2110	13301		130H			Gasket
2115	11702		130H			Nut



## Spare parts

ID	P-code	Model	Type	Accessory	Voltage	Description
MODULE:Turret group with rotating arms						
30150	13304		130H			Pipe
30155	12526		130H			Coupling
30160	75066		130H			Pipe gasket
30165	13003		130H			OR 112 NBR O-ring
30170	12006		130H			Coupling
30175	75319		130H			Elbow coupling
30180	13004		130H			OR 3137 NBR O-ring
30185	13008		130H			O-ring
30190	15042/A		130H			Nut
30195	15042		130H			Coupling
30200	78001		130H			Distributor upper
30205	75322		130H			Shaft, upper
30210	75317		130H			Nut
30215	12006/A		130H			Ø10 pipe fitting 3/8x3,5 nut 19 hexagonal
30220	10600900		130H			Wash arm
30225	75320		130H			Holder
30230	10651		130H			Rinse axle
30235	10650		130H			Rinse arm
30240	75918		130H			Rinse arm, compl.
30245	10652		130H			Rinse arm screw
30250	13316/A		130H			DVGW hole O-ring
30255	560018		130H			Nozzle
30260	560017		130H			Plug
30265	11600033		130H			Ring
30270	11600035		130H			Lower wash arm support
30275	11600021		130H			Shaft, lower
30280	13015		130H			O-ring
30285	500621		130H			Distributor lower
30290	10657		130H			Right rinse arm - stainless steel nozzle
30295	10658		130H			Left rinse arm - stainless steel nozzle