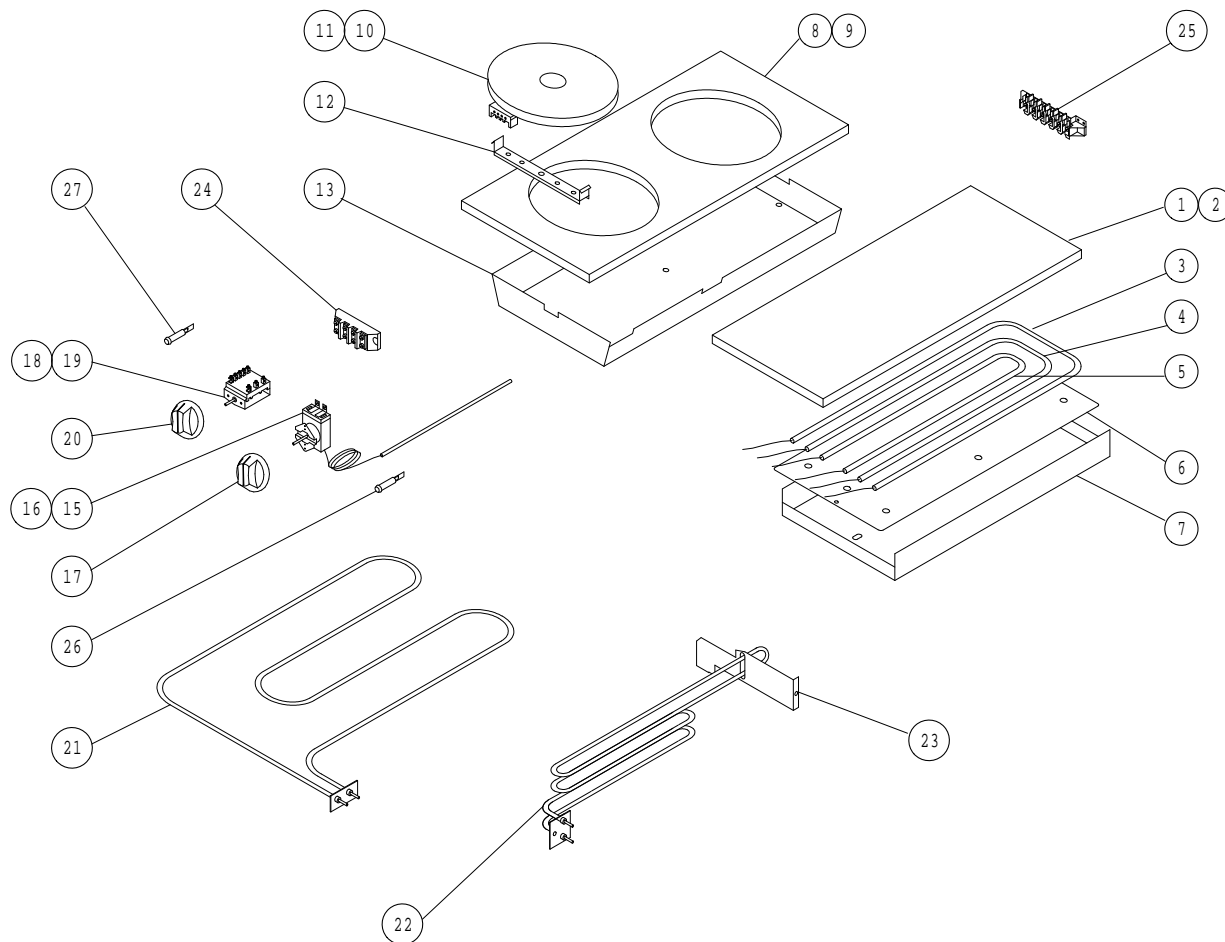
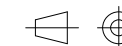


IF IN DOUBT ASK!!

DO NOT SCALE !!

First Angle Projection



E2101 CONTROLS

Item	Spares No.	Description
1	730960010	Rectangular Hotplate Assembly
2	730960100	Rectangular Hotplate Casting
3	730960040	Element Outer
4	730960030	Element Intermediate
5	730960020	Element Inner
6	730960150	Element Clamp Plate
7	730964060	Hotplate Lagging Box
8	730960114	Round Hotplate Assembly
9	730960101	Round Hotplate Casting
10	730960110	Hotplate Assembly
11	730960050	Hotplate
12	730960115	Fixing Bracket
13	730964160	Cover Plate
14	730960116	Seal for Round Hotplate (not shown)
15	730962080	Oven Thermostat
16	731000004	Oven Thermostat c/w Knob
17	731000003	Oven Thermostat Knob Only
18	730960070	6 Position Switch
19	731000005	6 Position Switch c/w Knob
20	731000002	6 Position Switch Knob Only
21	730962050	Oven Top Element
22	730962060	Oven Bottom Element
23	730962062	Element Support Bracket
24	730960112	Terminal Block Porcelain
25	731000006	Terminal Block Incoming
26	731000007	Neon Amber
27	731000008	Neon Red

Note:-
Items 8 to 13 are used on 4 HP models only

All Dimensions in millimetres, Tolerance- Linear $\pm 0.5\text{mm}$ Angular $\pm 0.5^\circ$ (or as stated)

A	1004	ISSUED FOR PRODUCTION		I. HAMILTON	05-03-04
Issue	Mod No.	Alteration	Zone	Drawn by	Date



This part is common to the following units

© No reproduction or publication of this drawing may be made and no article may be manufactured or assembled in accordance with this drawing without prior written consent. This prohibition is a condition of any contract relating to this drawing. Rights reserved under the Copyright Act 1956 as amended by the Design Copyright Act 1988.

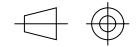
UNCONTROLLED

Drawn	I. HAMILTON	Product	E2101 RANGE	
Date	19-01-04	Title	E2101 CONTROLS SPARES INFO	
Scale				
Matl.		Drawing Number	AA42400	Issue
No. off		Finish		A
Bin No.		Kraus No.	T111401	

IF IN DOUBT ASK!!

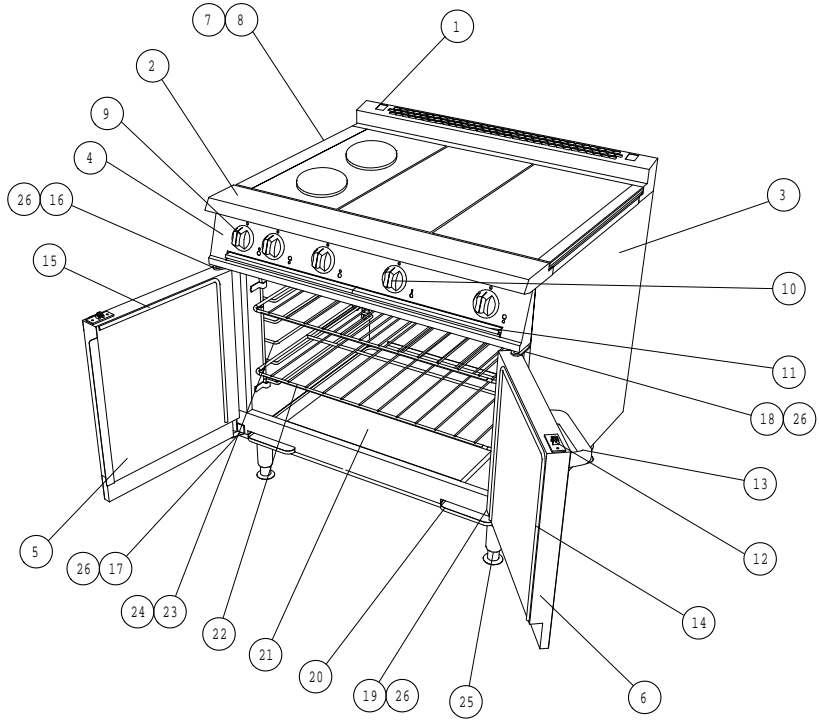
DO NOT SCALE !!

First Angle Projection



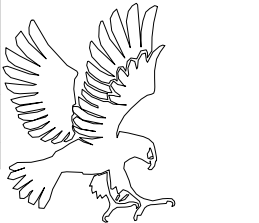
E2101 FITMENTS

Part No	Spares No	Description
1	535480046	Rear hob rail
2	535480047	Front hob rail
3	535480048	Outer Side Panel
4	731000011	Control panel 3 HP
	731000012	Control Panel 4 HP
5	535480050	L/H Door assy
6	535480051	R/H Door assy
7	730960090	Hob Filling
8	730963121	Side Drip Shed
9	731000002	Control Knob (hob)
10	731000003	Control Knob (Oven)
11	535480053	Hob Drip Tray
12	535480054	Door Catch
13	535480055	Door Handle
14	730962181	Door seal -RH
15	730962180	Door seal -LH
16	535480058	Top door hinge -LH
17	535480059	Bottom door hinge -LH
18	535480060	Top door hinge -RH
19	535480061	Bottom door hinge -RH
20	730962230	Oven Drip tray
21	730962240	Oven bottom plate
22	730963180	Oven Shelf
23	730963190	Oven Shelf hanger
24	730963200	Oven Shelf Hanger bracket
25	730963050	Adjustable Leg
26	535480077	Door hinge bush



All Dimensions in millimetres, Tolerance- Linear ±0.5mm Angular ±0.5° (or as stated)

A	1004	ISSUED FOR PRODUCTION		I.HAMILTON	05-03-04
G	Issue	Mod No.	Alteration	Zone	Drawn by



Drawn	I.HAMILTON	Product	E2101 RANGE	
Date	19-01-04	Title	E2101 FITMENTS SPARES INFO	
Scale	N.T.S			
Matl.		Drawing Number	AA42399	Issue
No. off		Finish		A
Bin No.		Kraus No.	T111400	

No reproduction or publication of this drawing may be made and no article may be manufactured or assembled in accordance with this drawing without prior written consent. This prohibition is a condition of any contract relating to this drawing. Rights reserved under the Copyright Act 1956 as amended by the Design Copyright Act 1988.

This part is common to the following units

UNCONTROLLED

Falcon Foodservice Equipment. Wallace View Hillfoots Road Stirling Scotland