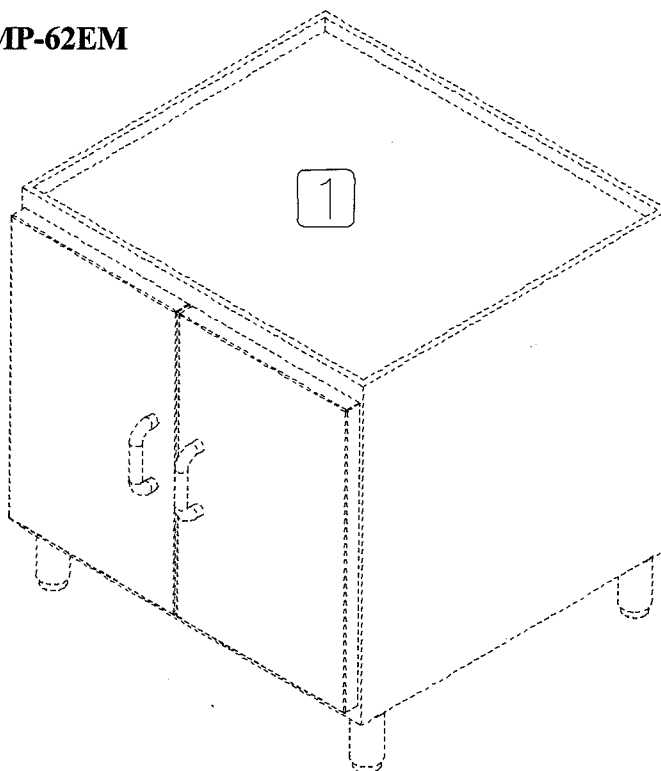


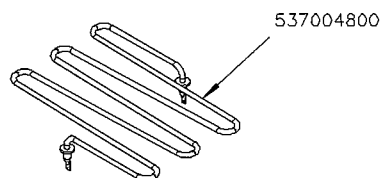
SNACK 60 ELETTRICO / SNACK 60 ELECTRIC / SNACK 60 ELEKTRO / SNACK 60 ELECTRIQUE

MP-62EM

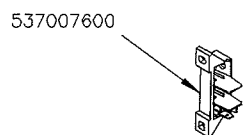
	1
Vedi Pagina See Page Siehe Seite Voir Page Ver Página	11



- 533008400
- 533006100
- 536005100
- 533006700
- 533010900



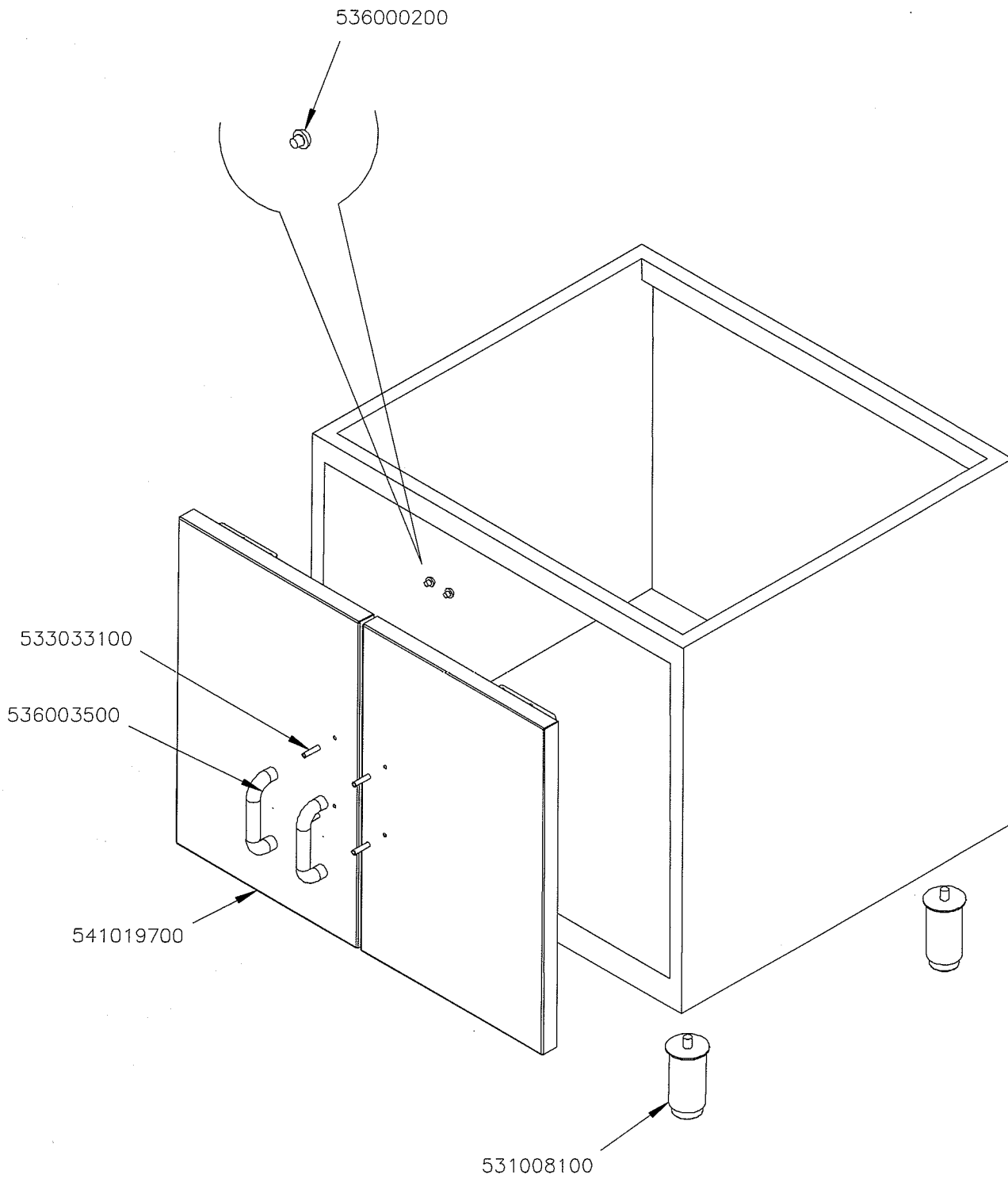
- 537013700
- 536011700



- 537001500
- 537001200
- 537000400
- 536002200
- 537014200
- 537014100

SNACK 60 NEUTRO / SNACK 60 NEUTRAL ELEMENTS / SNACK 60
NEUTRALE ELEMENTE / SNACK 60

MP-61 MP-62 MP-63 MCP-63 MP-64 MCP-64



Page	Pos	Code	Description
001		533008400	LOCK NUT M14*1-M9*1
001		533006100	GASKET D.24
001		536005100	GRAPHITE §07,4 GASKET
001		533006700	NOTCHED WASHER D.14
001		533010900	NUT M14*1 H.4
001		537004800	HEATING ELEMENT W1189 V230 BM
001		537013700	CABLE SECURING CLAMP PG-11
001		536011700	HEXAGONAL LOCK NUT PG-11
001		537007600	TERMINAL BLOCK SINGLEPHASE 40A
001		537001500	THERMOSTAT 30-90°C SINGLEPHASE
001		537001200	FIXING BRACKET FOR THERMOSTAT/COMM.
001		537000400	COMMUTATOR 1POS.SINGLEPHASE S49 16A
001		536002200	KNOB 30-90°C SNACK
001		537014200	GREEN WARNING LIGHT 250V
001		537014100	WHITE WARNING LIGHT 250V
002		536000200	D.12 H.4 BUMPER
002		533033100	HANDLE SPACER
002		536003500	RED HANDLE 60/SK
002		541019700	DOOR 61
002		531008100	ADJUSTABLE LEG H9 CHROME