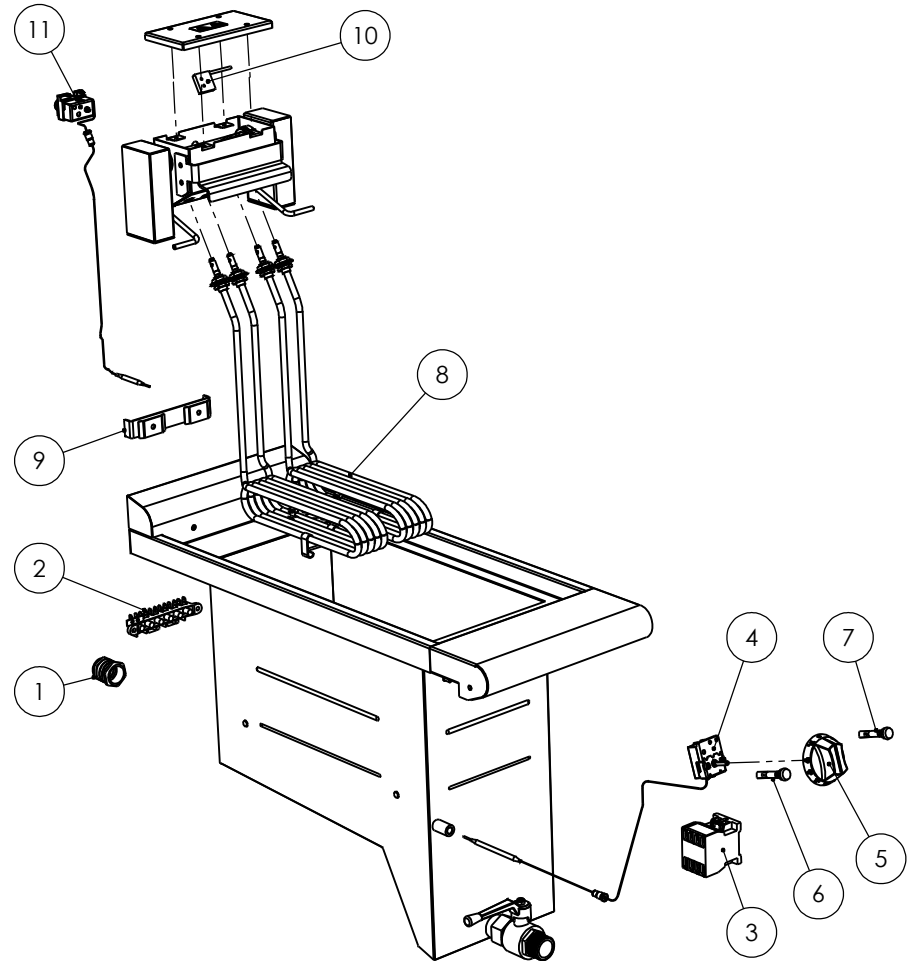


ITEM	DESCRIPTION	SPARES No
1	MAINS CABLE GLAND C/W NUT	731350026
2	MAINS TERMINAL BLOCK	731000006
3	CONTACTOR	734520200
4	OPERATING THERMOSTAT	731320106
5	CONTROL KNOB	731320107
6	RED NEON	735010370
7	AMBER NEON	735010380
8	ELEMENT C/W GASKETS	731320108
8.1	ELEMENT SET C/W GASKETS ( 2 OFF )	731320109
9	ELEMENT CLAMP ASSEMBLY	731320110
10	TILT SWITCH	735750014
11	SAFETY STAT C/W FITTINGS	731320111
12	WIRING LOOM ( NOT SHOWN )	731320112



**CLEARED FOR PRODUCTION**

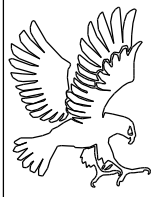
ISSUE	MOD No	ALTERATION	DRAWN BY	DATE
A	1285/4	PRODUCTION ISSUE	G.SMITH	19/12/11

IF IN DOUBT ASK  
DO NOT SCALE  
FIRST ANGLE PROJECTION

UNLESS OTHERWISE SPECIFIED:  
DIMENSIONS ARE IN MILLIMETERS  
TOLERANCES:  
LINEAR: ±0.5mm  
ANGULAR: ±0.5 DEG

DEBUR AND  
BREAK SHARP EDGES

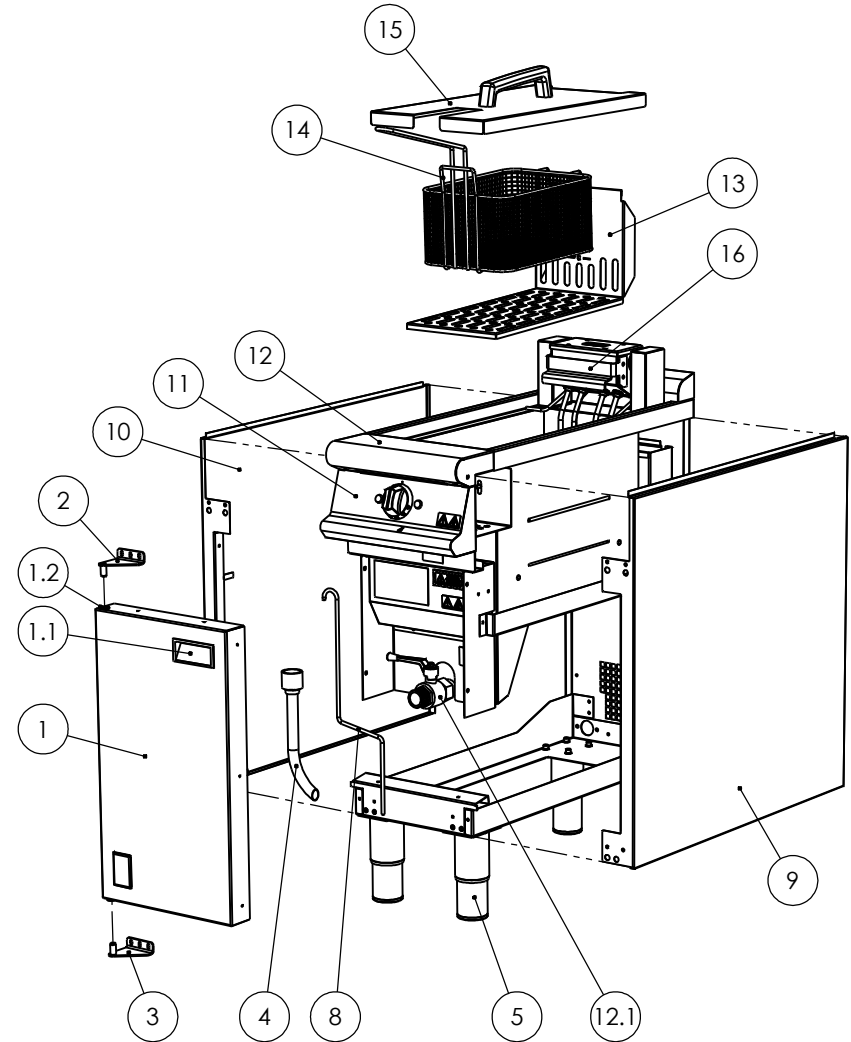
WEIGHT: 146140.82g



DRAWN: <b>G.SMITH</b>	PRODUCT	<b>E3830 DOMINATOR PLUS FRYER</b>	
DATE: <b>19/12/11</b>	TITLE	<b>SPARES - CONTROLS</b>	
SCALE:	DRAWING NUMBER	<b>AD49201</b>	
MATL:	ISSUE	<b>A</b>	
THICKNESS:	FINISH:		
BIN No:	PART No:		

© NO REPRODUCTION OR PUBLICATION OF THIS DRAWING MAY BE MADE AND NO ARTICLE MAY BE MANUFACTURED OR ASSEMBLED IN ACCORDANCE WITH THIS DRAWING WITHOUT PRIOR WRITTEN CONSENT. THIS PROHIBITION IS A TERM OF ANY CONTRACT RELATING TO THIS DRAWING. RIGHTS RESERVED UNDER THE COPYRIGHT ACT 1956 AS AMENDED BY THE DESIGN COPYRIGHT ACT 1968

ITEM	DESCRIPTION	SPARES No
1	DOOR ASSEMBLY	731320100
1.1	DOOR HANDLE	736010020
1.2	DOOR HINGE BUSH ( x2 )	536060036
2	DOOR HINGE - TOP	535200006
3	DOOR HINGE - BOTTOM	535200007
4	DRAIN TUBE ASSEMBLY	535710015
5	ADJUSTABLE FOOT	535290028
6	CASTOR - BRAKED ( x2 ) - NOT SHOWN	536430110
7	CASTOR - FIXED ( x2 ) - NOT SHOWN	536470013
8	DRAIN PROD / LIFTING TOOL	731350012
9	OUTER SIDE PANEL - RH	535670004
10	OUTER SIDE PANEL - LH	535670005
11	CONTROL PANEL	731320101
12	HOB/PAN ASSEMBLY C/W DRAIN VALVE	731320102
12.1	DRAIN VALVE ASSEMBLY	535670008
13	ELEMENT GUARD	731320103
14	BASKET	531302010
15	DUST COVER	731320104
16	BASKET HANGER	731320105



**CLEARED FOR PRODUCTION**

ISSUE	MOD No	ALTERATION	DRAWN BY	DATE
A	1285/4	PRODUCTION ISSUE	G.SMITH	19/12/11

IF IN DOUBT ASK  
DO NOT SCALE  
FIRST ANGLE PROJECTION



UNLESS OTHERWISE SPECIFIED:  
DIMENSIONS ARE IN MILLIMETERS  
TOLERANCES:  
LINEAR: ±0.5mm  
ANGULAR: ±0.5 DEG

DEBUR AND  
BREAK SHARP EDGES

WEIGHT: 146140.82g



DRAWN: <b>G.SMITH</b>	PRODUCT	<b>E3830 DOMINATOR PLUS FRYER</b>	
DATE: <b>19/12/11</b>	TITLE	<b>SPARES - MAIN BODY</b>	
SCALE:	DRAWING NUMBER	<b>AD49200</b>	
MATL:	ISSUE	<b>A</b>	
THICKNESS:	FINISH:	PART No:	
BIN No:			

© NO REPRODUCTION OR PUBLICATION OF THIS DRAWING MAY BE MADE AND NO ARTICLE MAY BE MANUFACTURED OR ASSEMBLED IN ACCORDANCE WITH THIS DRAWING WITHOUT PRIOR WRITTEN CONSENT. THIS PROHIBITION IS A TERM OF ANY CONTRACT RELATING TO THIS DRAWING. RIGHTS RESERVED UNDER THE COPYRIGHT ACT 1956 AS AMENDED BY THE DESIGN COPYRIGHT ACT 1968