

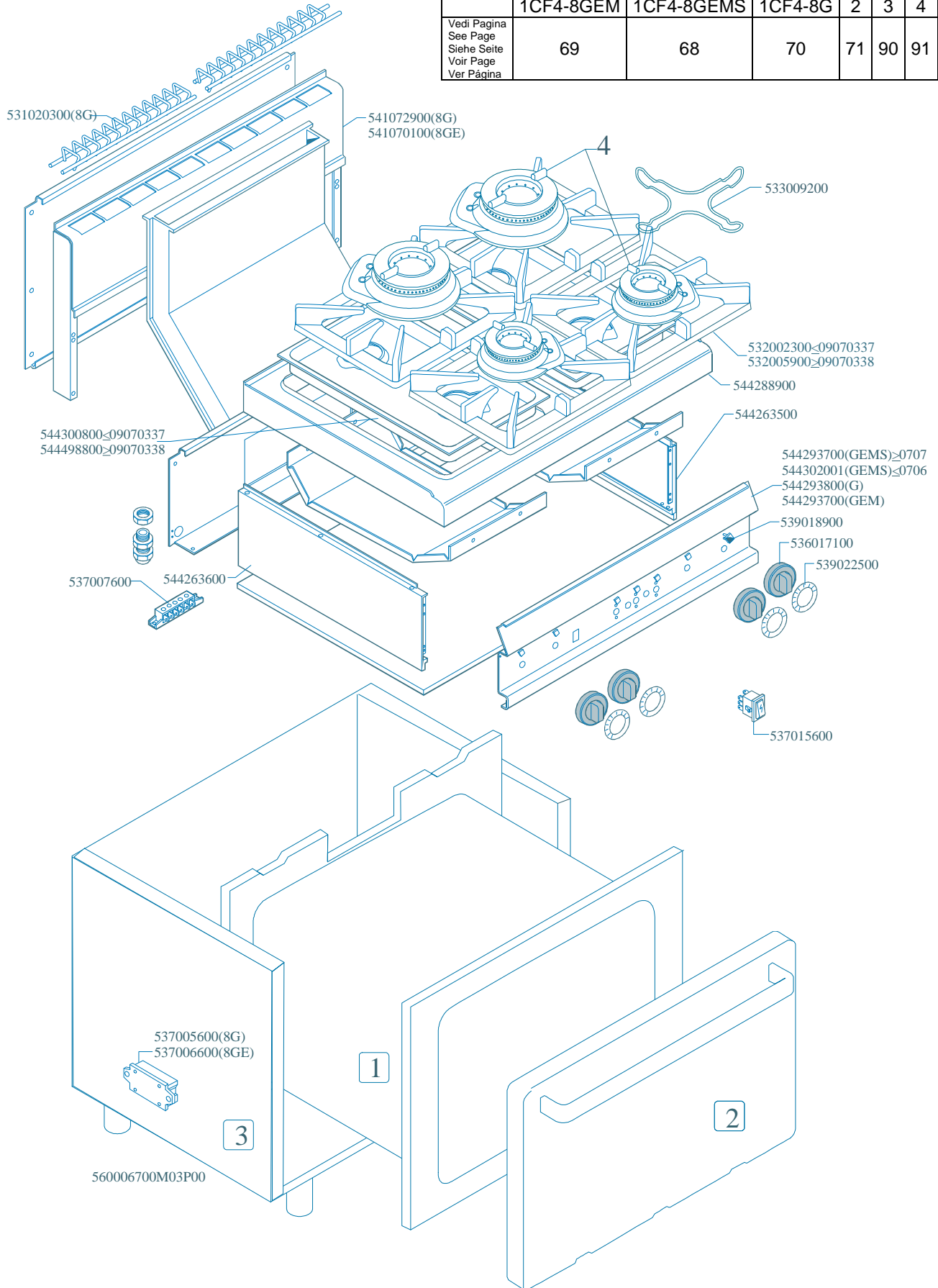
# MAGIC PROF 65

CUCINE / RANGES / HERDE / CUISINIÈRES / N° 0308

CF...-8...

## CF4-8G CF4-8GEM CF4-GEMS

	1CF4-8GEM	1CF4-8GEMS	1CF4-8G	2	3	4
Vedi Pagina See Page Siehe Seite Voir Page Ver Pàgina	69	68	70	71	90	91

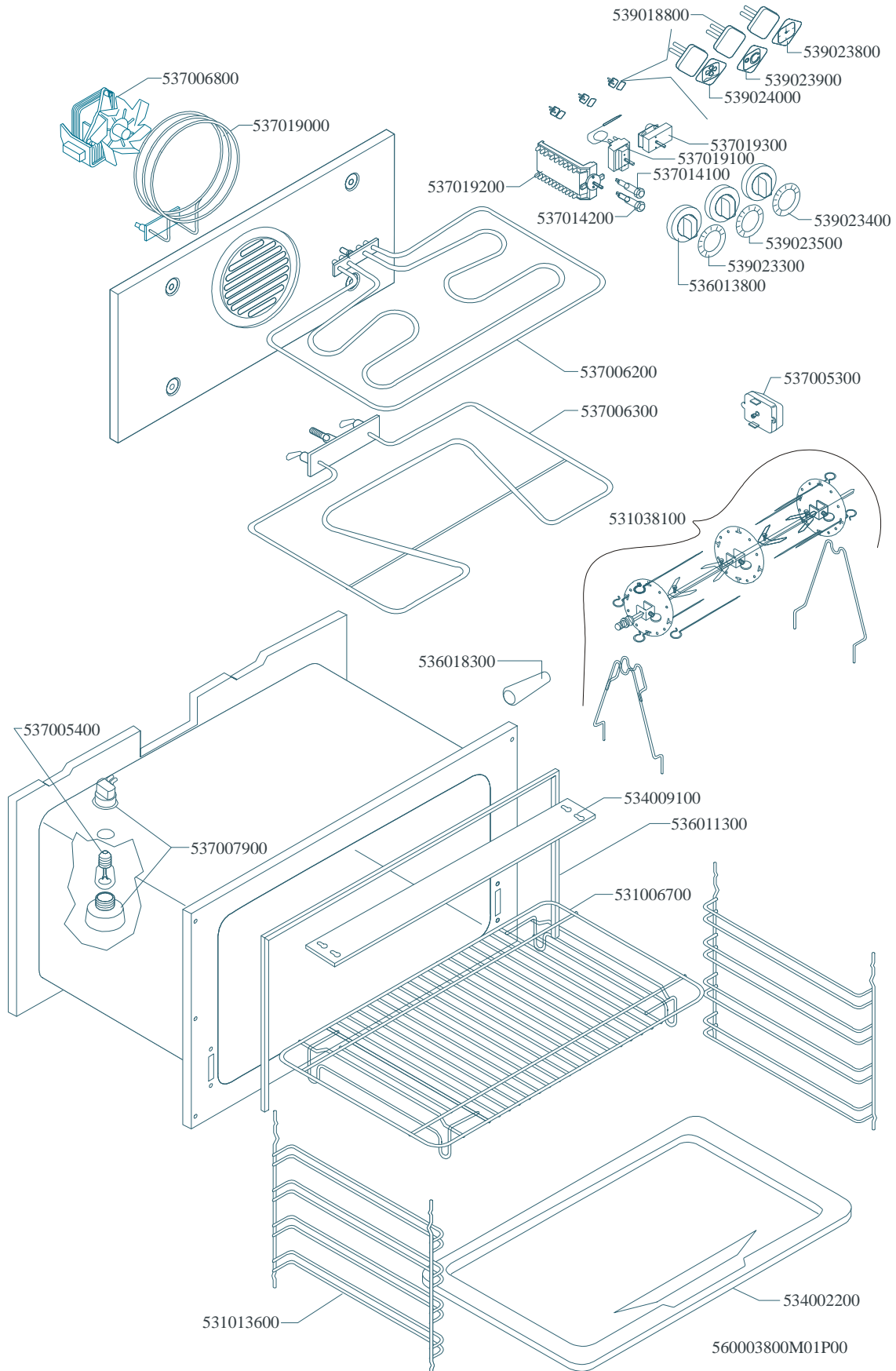


# MAGIC PROF 65

CUCINE / RANGES / HERDE / CUISINIÈRES / N° 0308

FORNO / OVEN / BACKOFEN / FOUR

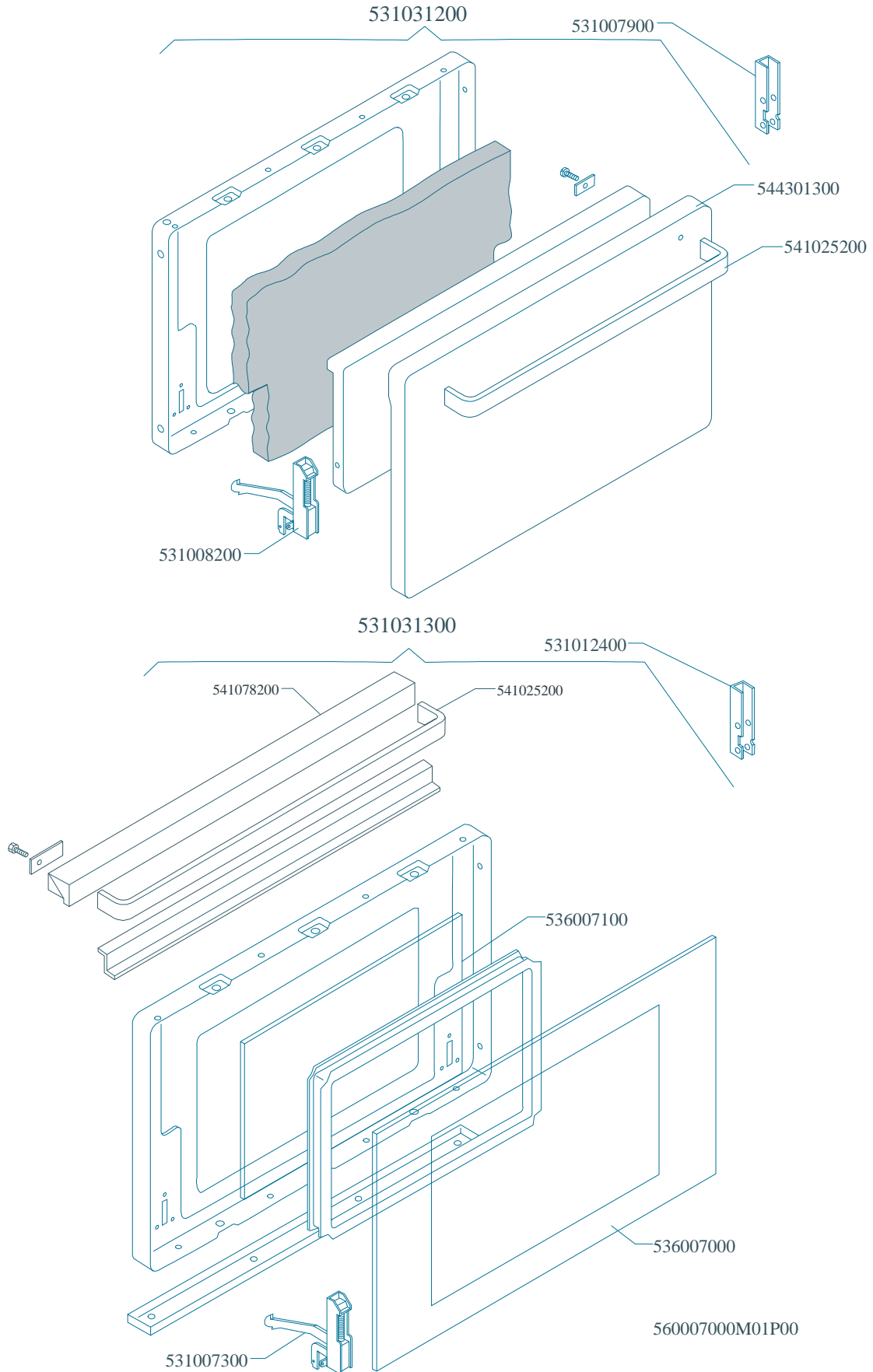
MULTIFUNZIONE ELETTRICO / MULTIFUNCTION ELECTRIC / MULTIFUNKTIONS  
ELEKTRO / ELECTRIQUE A FONCTIONS MULTIPLES



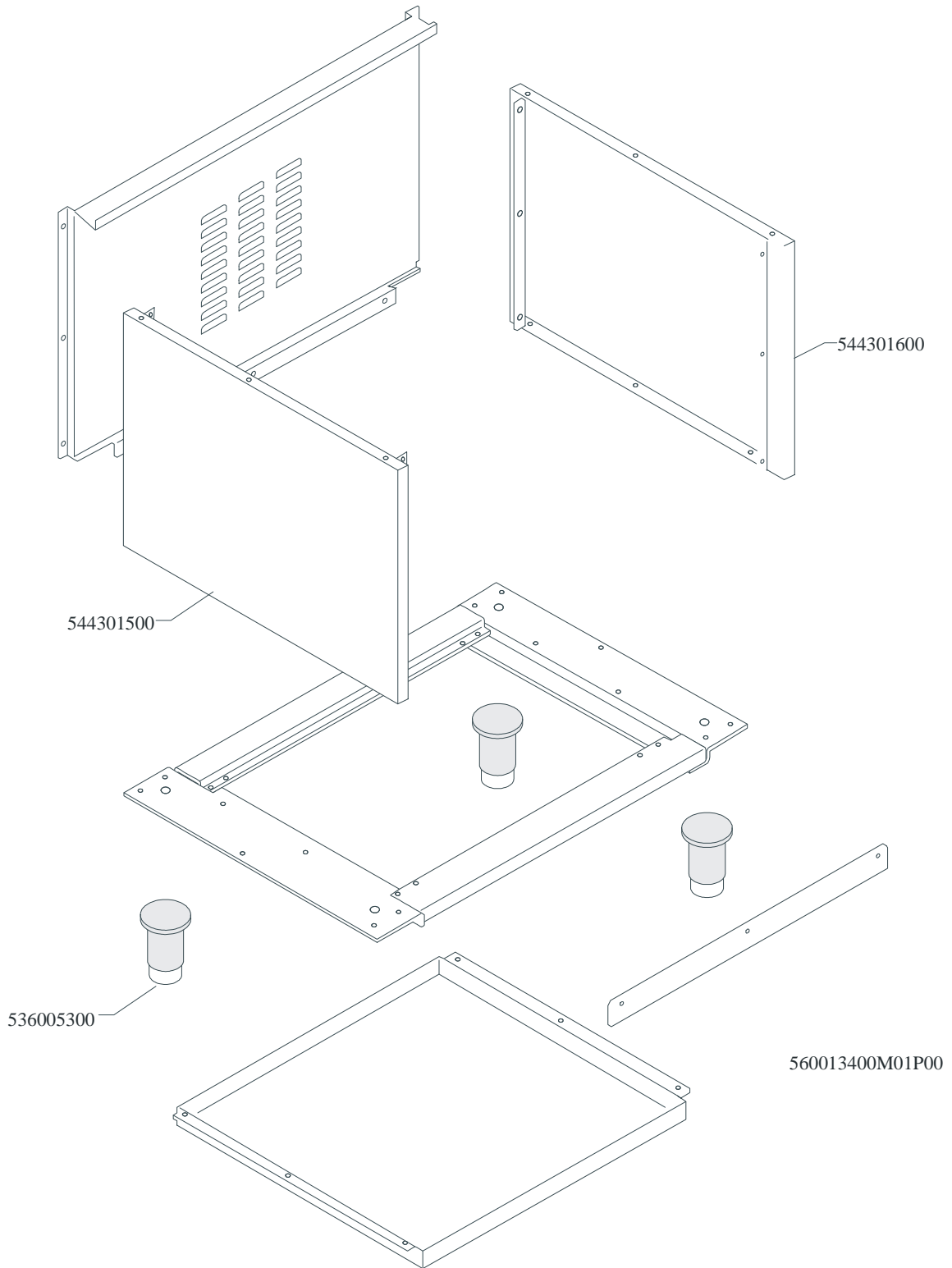
# MAGIC PROF 65

CUCINE / RANGES / HERDE / CUISINIÈRES / N° 0308  
FORNO / OVEN / BACKOFEN / FOUR

## PORTE / DOORS / TÜREN / PORTES

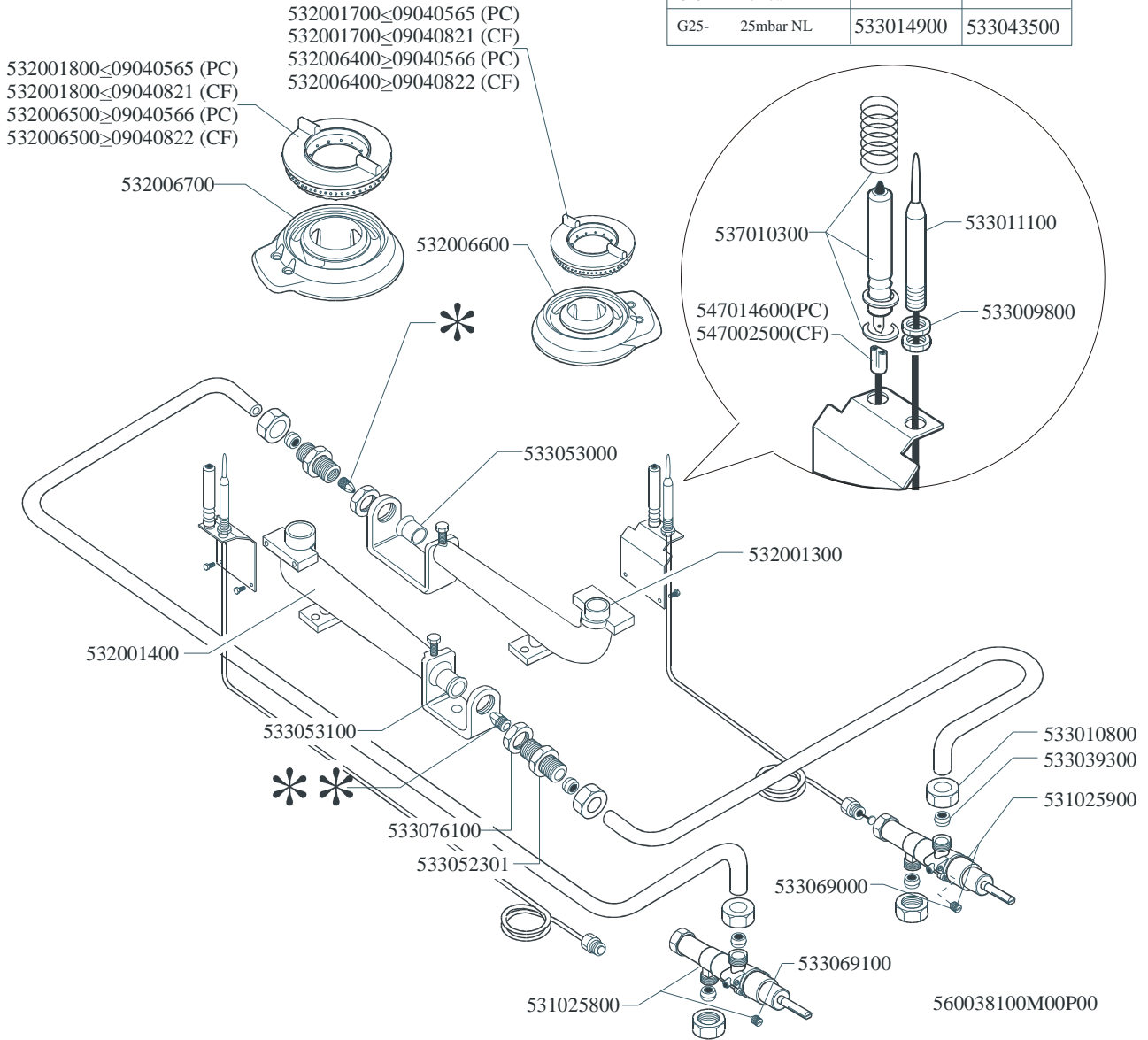


CF



**PC**

	*	**
G30- 28+30mbar G31- 37mbar	533015400	533043400
G30- 50mbar	533015300	533043300
G20- 20mbar G25- 25mbar	533015200	533019400
G25- 20mbar	533030300	533043600
G25- 25mbar NL	533014900	533043500



Page	Pos	Code	Description
001		541070100	NEUTRAL SPACER 8
001		533009200	REDUCTION FOR 65 AND 70 LINE
001		544288900	UPPER PLATE PC-8G
001		544263500	RIGHT SIDE S.65
001		532002300	1 FLAME GRILL 346X274 (70)
001		532005900	1 FLAME GRILL 346X274 (70) * RAF
001		544300800	ENAMELLED BURNER DRIP PAN 1/1
001		544498800	
001		544293700	CONTROL PANEL CF4-8GEM
001		539018900	INDEX FOR KNOB
001		536017100	BLACK KNOB §70 PIN §8*6,5
001		539022500	ADHESIVE GRADUATED DISC FOR KNOB
001		537007600	TERMINAL BLOCK SINGLEPHASE 40A
001		544263600	LEFT SIDE S.65
001		537015600	BIPOLAR SWITCH
001		537006600	IGNITION UNIT 4 FLAMES V230
002		539018800	INDEX FOR OVEN KNOB
002		539023900	SIGN PLATE FOR OVEN TEMPERATURE
002		539023800	SIGN PLATE FOR OVEN TIMER
002		539023400	ADHESIVE GRADUATED DISC F.KNOB
002		537006800	FAN 240V CF-62
002		539024000	SIGN PLATE FOR OVEN SELECTOR
002		537005300	MOTOR FOR SPIT CF-8/10
002		537019000	CIRCULAR HEATING ELEMENT FOR OVEN
002		537019300	TIMER FOR MULTIFUNCTION OVEN
002		537019100	THERMOSTAT FOR MULTIFUNCTION OVEN
002		537014100	WHITE WARNING LIGHT 250V
002		537019200	SELECTOR FOR MULTIFUNCTION OVEN
002		537014200	GREEN WARNING LIGHT 250V
002		539023500	ADHESIVE GRAD.DISC *E.MULTIF.TERM.
002		539023300	ADHESIVE GRADUATED DISC FOR KNOB
002		536013800	KNOB D.70 BLACK 6*5 WITH SPRING
002		537006200	UPPER OVEN HEATING EL.1000+2000W
002		537006300	LOWER OVEN HEATING EL.W1750 230CF8/
002		531038100	SPIT FOR MAXI MULTIF. NEW OVEN
002		536018300	GRIP FOR ROTATING SPIT
002		537005400	OVEN BULB 15W 300°C
002		534009100	GRILL PROTECTION CF-8/10
002		536011300	OVEN GASKET CF-8/10
002		537007900	OVEN BULB-SOCKET
002		531006700	OVEN GRID FOR CF-8/10
002		534002200	OVEN DRIPPING-PAN CF-8/10
002		531013600	SIDE GRID FOR MAXI/VENTILATED OVEN
003		531031200	COMPLETE STAINLESS STEEL OVEN DOOR
003		531007900	STAINLESS STEEL DOOR WHEEL HOLDER
003		541025200	STAINLESS STEEL OVEN DOOR HANDLE
003		544301300	STAINLESS STEEL OVEN DOOR PANEL 65
003		531007300	GLASS DOOR HINGE CF-8/10
003		531008200	STAINLESS STEEL DOOR HINGE CF-8/10
003		536007000	EXTERNAL GLASS OVEN DOOR CF8/10
003		531031300	COMPLETE GLASS OVEN DOOR 65LINE

Page	Pos	Code	Description
003		531012400	GLASS DOOR WHEEL HOLDER CF-8/10
003		536007100	INTERNAL GLASS OVEN DOOR CF-8/10
003		541078200	HANDLE SUPPORT GLASS DOOR CF-65
004		544301600	RIGHT SIDE FOR 65 RANGE
004		544301500	LEFT SIDE FOR 65 RANGE
004		536005300	PLASTIC LED 2"
005		532006700	BURNER BODY 5,5 KW WITH PLUG
005		532006600	BURNER BODY 3,5 KW WITH PLUG
005		537010300	PLUG IGNITION WITH SPRING PC65
005		533011100	THERMOCOUPLE 600 M8*1
005		533009800	BRASS NUT M8*1
005		547002500	HIGH-VOLT.WIRE 2,8X0,5 F2,8X0,8L600
005		533053000	AIR ADJUSTMENT BUSHING §18
005		532001300	BURNER VENTURI 3,5 KW
005		532001400	BURNER VENTURI 5,5 KW
005		533053100	AIR ADJUSTMENT BUSHING §20
005		533076100	HEXAGONAL NUT M14X1 H4 + BUSHING
005		533052301	JOINT FOR NOZZLE HOLDER
005		533010800	TUBE NUT D.10 M16*1,5
005		533039300	BICONE §10
005		531025900	SAFETY TAP 20S-B PEL20S21070
005		533069000	BY PASS COCK §70 20S-21S
005		533069100	BY PASS COCK §60 20S
005		531025800	SAFETY TAP 20S-B PEL20S2160
005		532006500	QUICKBURNER 2 RING Ø102 3 Z
005		532001800	QUICKBURNER §102
005		532006400	QUICKBURNER 2 RING Ø082 3 Z
005		532001700	QUICKBURNER §82
005		533015400	NOZZLE §93 CH12*14 G-PC4 R
005		533043400	NOZZLE §117 CH12*14 G-PC4 UR
005		533015300	NOZZLE §82 CH12*14 F-PC4 R
005		533043300	NOZZLE §103 CH12*14 F-PC4 UR
005		533015200	NOZZLE §145 CH12*14 F-FP/CP6
005		533019400	NOZZLE §180 CH12*14 L-FQ5
005		533030300	NOZZLE §160 CH12*14 M-FPG
005		533043600	NOZZLE §200 CH12*14 L-PC4 UR
005		533014900	NOZZLE §150 CH12*14 F-FQ5 L-FQ6
005		533043500	NOZZLE §190 CH12*14 G25 PC4R