

MF 82

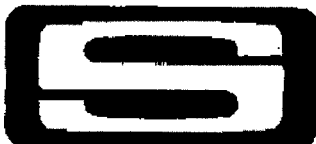
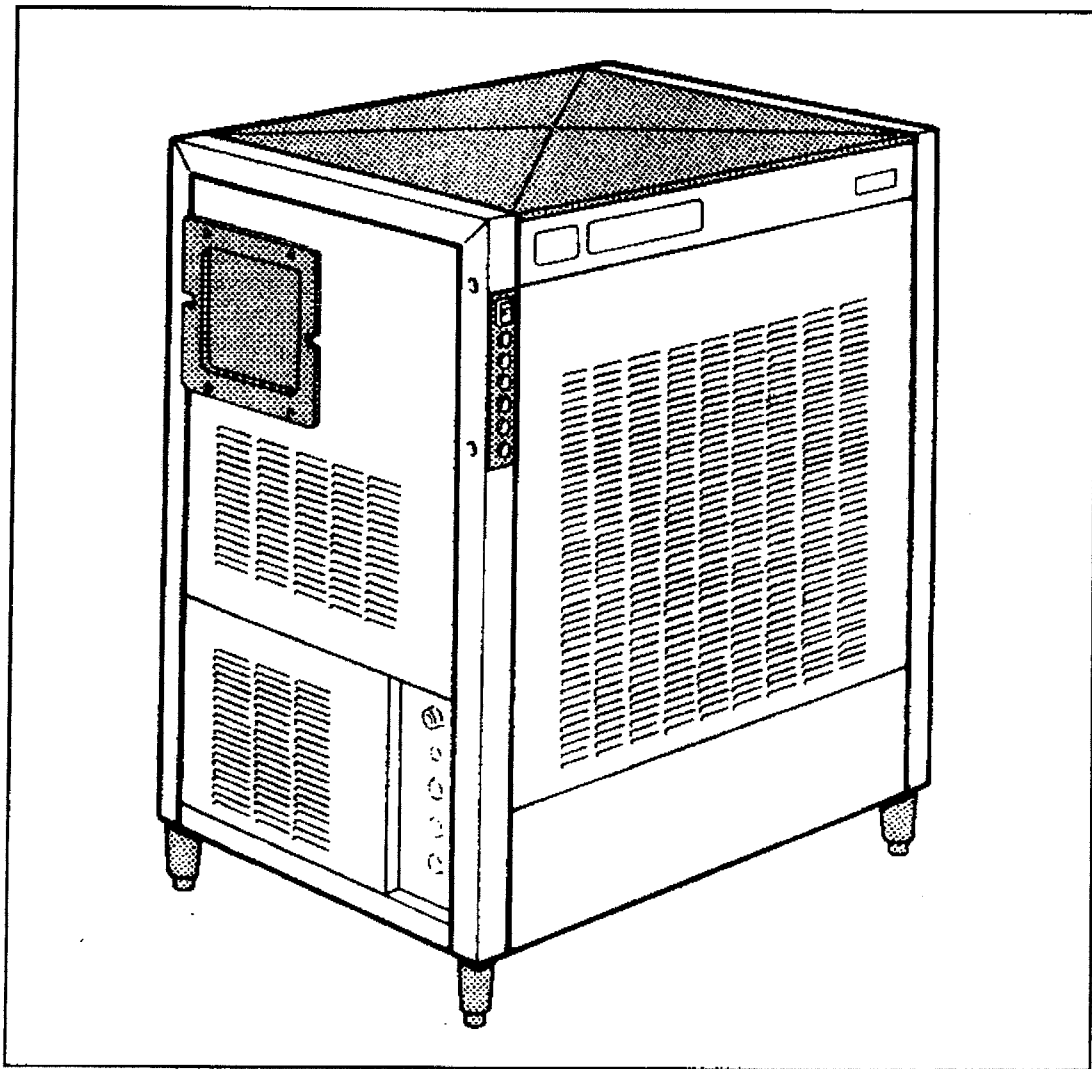
Electronic modular flaker

Spare parts list

Catalogo ricambi

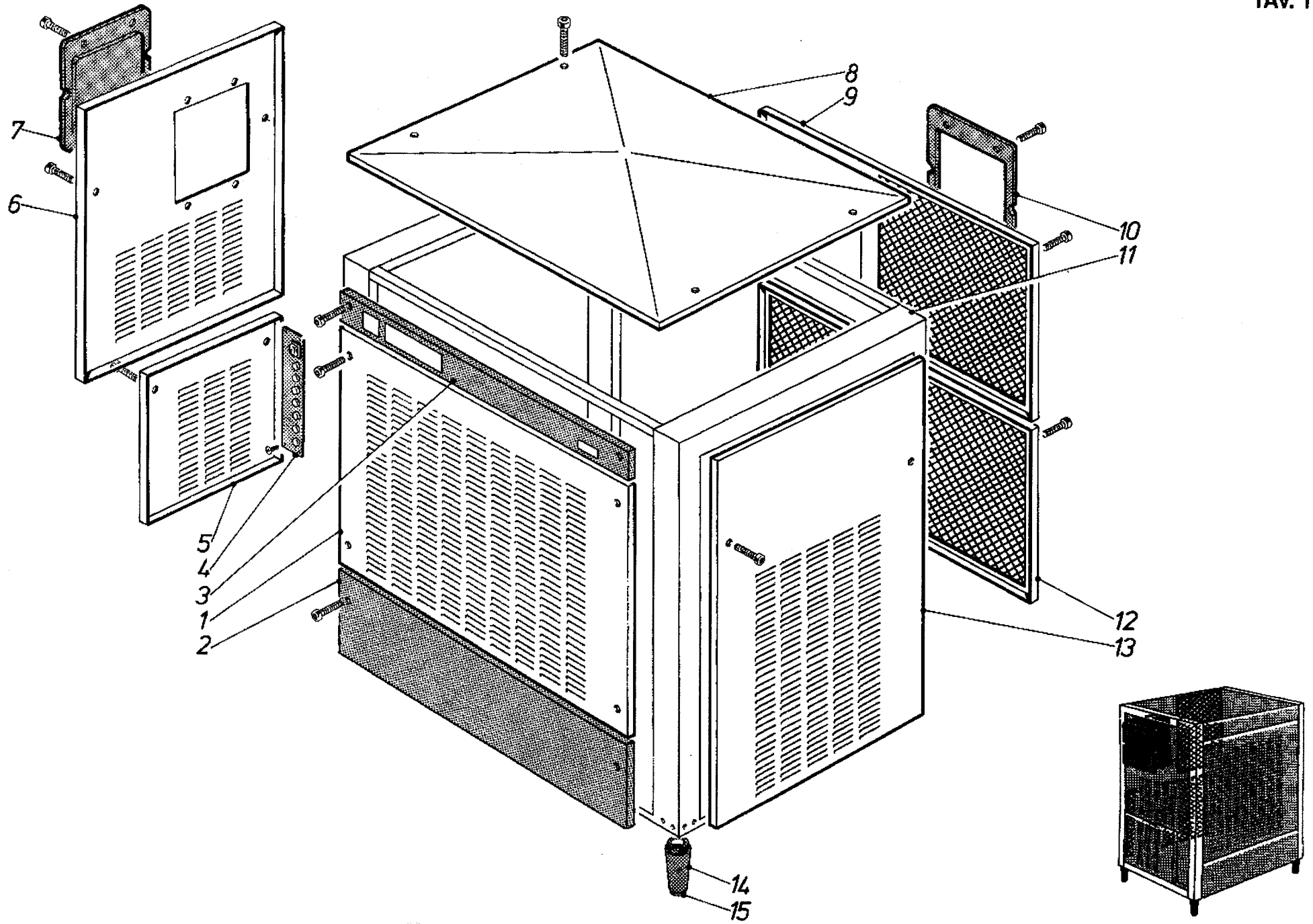
Catalogues pièces détachées

Ersatzteilkatalog



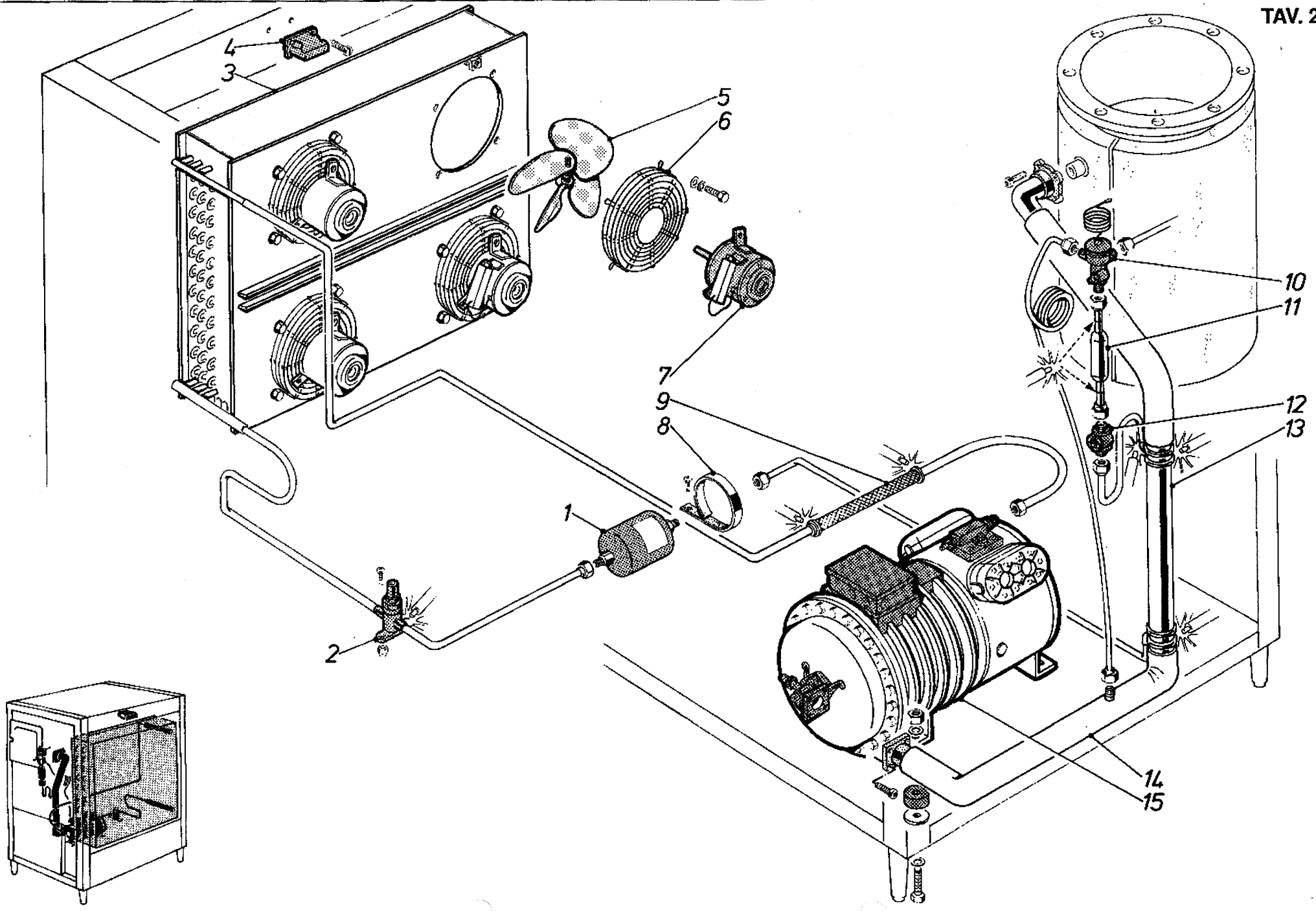
SCOTSMAN®

ICE SYSTEMS



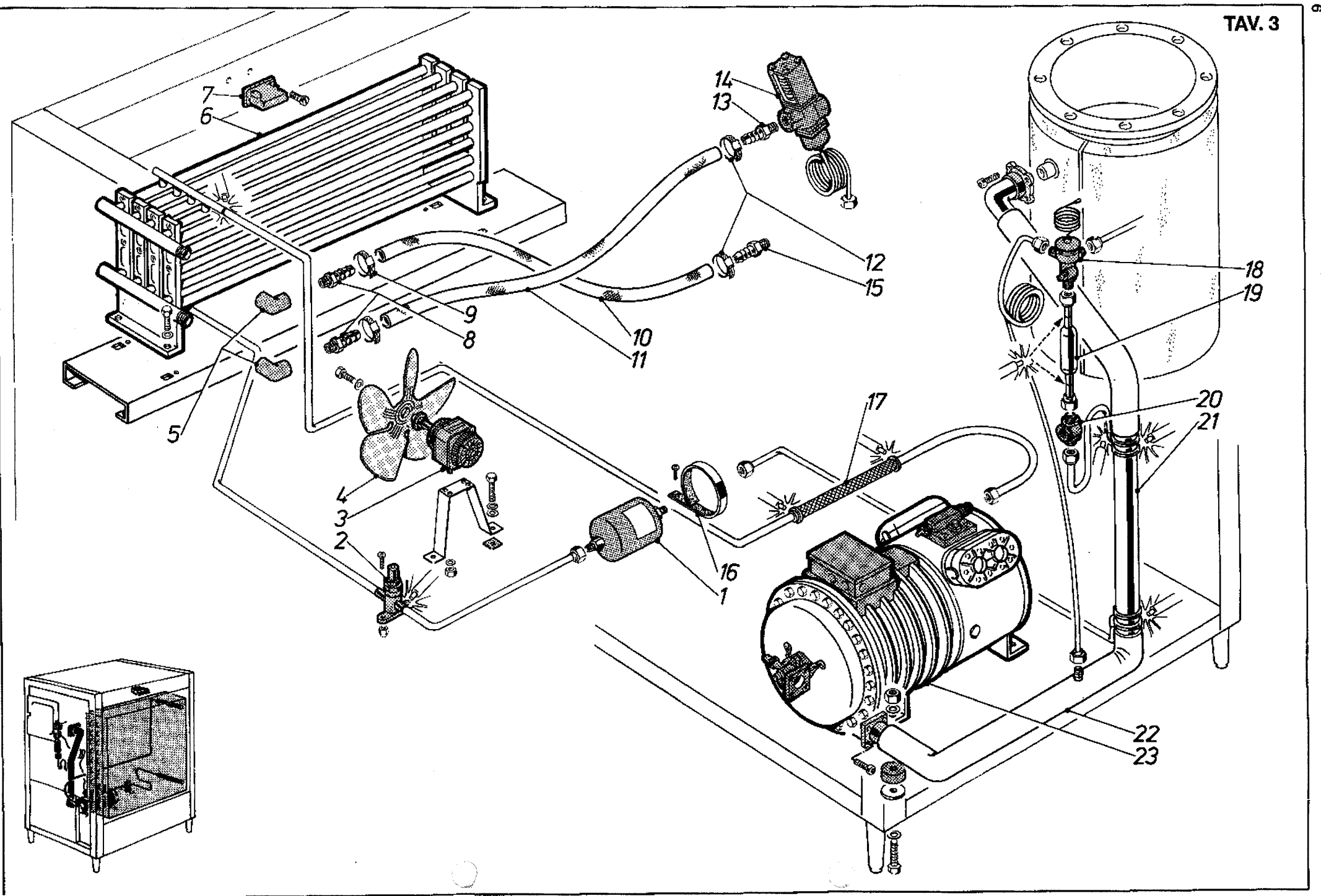
MF 82 - UNIT PANELS - ASSIEME MOBILE - ENS. CARROSSERIE - MACHINEN GEHAUSE

ITEM NO POS NO REP. NO REF. NO	PART NO CODICE REFERENCE STUECK NR	DESCRIPTION	DESCRIZIONE	DESIGNATION	BESCHREIBUNG
1	701948 04	CENTER FRONT PANEL	PANNELLO FRONTALE CENTRALE	PANNEAU FRONTA CENTRALE	MITTERE VORDERWAND
2	701965 06	LOWER FRONT PANEL	PANNELLO FRONTALE INFERIORE	PANNEAU FRONTAL INF.	UNTERE VORDERWAND
3	721517 01	UPPER FRONT PANEL	PANNELLO FRONTALE SUPERIORE	PANNEAU FRONTAL SUP.	OBERE VORDERWAND
4	721330 10	S.S. MONITOR CONTROL PANEL	PANNELLO DI CONTROLLO	PLAQUETTE	SCHALTTADEL
5	701975 01	LOWER LEFT SIDE PANEL	PANNELLO INFERIORE SX	PANNEAU INF. GAUCHE	LINKE UNTERWAND
6	701974 09	UPPER LEFT SIDE PANEL	PANNELLO SUPERIORE SX	PANNEAU SUP. GAUCHE	LINKE OBERWAND
7	660504 00	PLASTIC SPOUT OPENING COVER	COPERCHIO IN PLASTICA	COUVERCLE EN PLASTIQUE	PLASTIKDECKEL
8	702081 01	TOP PANEL	PANNELLO SUPERIORE	PANNEAU DESSUS	ABDECKHAUBE
9	781374 13	UPPER REAR SIDE PANEL	PANNELLO POSTERIORE SUPERIORE	PANNEAU ARRIERE SUP.	OBERE RÜCKWAND
10	660504 01	SPOUT OPENING FRAME	CORNICE IN PLASTICA	ENCADREMENT	RAHMEN
11	791050 04	UNIT FRAME ASSY	ASS. TELAIO	ENS. CHASSIS	UNTERGESTELLEINHEIT
12	781374 11	LOWER REAR SIDE PANEL	PANNELLO POSTERIORE INFERIORE	PANNEAU ARRIERE INF.	UNTERE RÜCKWAND
13	701976 01	RIGHT SIDE PANEL	PANNELLO LATERALE DX	PANNEAU DROITE	RECHTE SEITENWAND
14	764011 00	LEG	PIEDINO	PIED	FUSS
15	751001 00	LEG LEVELLER	DADO DI REGOLAZIONE	VIS DE REGLAGE PIEDS	NIVELLIERUNGSHUELSE



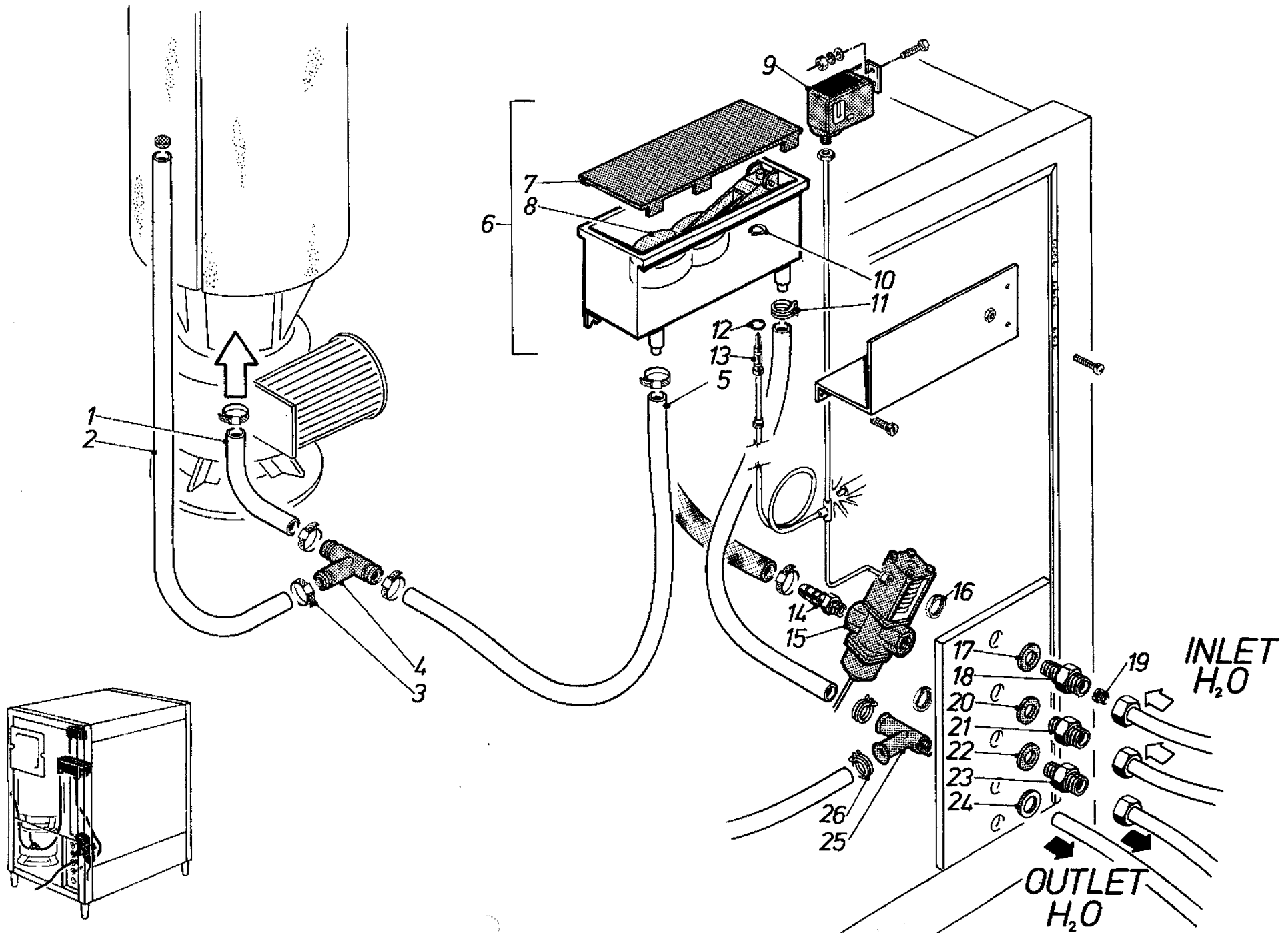
MF 82 - REFRIGERANT SYSTEM AIR COOLED - SISTEMA REFRIGERANTE RAFFR. AD ARIA
CIRCUIT FRIGORIFIQUE REFROID. PAR AIR - LUFTGEKÜHLT GEFRIERSYSTEM

ITEM NO POS NO REP. NO REF. NO	PART NO CODICE REFERENCE STUECK NR	DESCRIPTION	DESCRIZIONE	DESIGNATION	BESCHREIBUNG
1	670024 04	DRIER	FILTRO DEUMIFICATORE	FILTRE DESHYDRATEUR	TROCKNER
2	620372 02	SERVICE VALVE	VALVOLA DI SERVIZIO	VANNE DE SERVICE	VENTIL
3	620381 00	AIR COOLED CONDENSER	CONDENSATORE AD ARIA	CONDENSEUR A AIR	LUFTGEKUEHLTE KONDENSATOR
4	620333 01	COMPRESSOR PROTECTOR	PROTETTORE COMPRESSORE	PROTECTEUR COMPRESSEUR	KOMPRESSORSCHUTZVORRICHTUNG
5	620274 01	FAN BLADE	VENTOLA	HELICE	FLUEGEL
6	620338 01	FAN GRID	GRIGLIA	GRILLE DE PROTECTION	SCHUTZGITTER
7	620273 02	FAN MOTOR	MOTORE VENTILATORE	MOTEUR VENTILATEUR	LUFTER MOTOR
8	704135 03	BRACE COLLAR	FASCETTA	COLLIER	TROCKNERHALTERUNG
9	650313 02	VIBRATION ABSORBER	TUBO ANTIVIBRAZIONI	AMMORTISSEUR VIBRATION	VIBRATIONSABSORBER
10	620326 09	EXPANTION VALVE	VALVOLA D'ESPANSIONE	DETENDEUR	EXPANSIONSVENTIL
11	630117 00	MECHANICAL FILTER	FILTRO MECCANICO	FILTRE MECHANIQUE	MECHANISCHER FILTER
12	620324 03	SIGHT GLASS	SPIA DEL LIQUIDO	HUBLLOT INDICATEUR LIQUIDE	KÜHLMITTEL ANZEIGER
13	620317 01	HEAT EXCHANGER	SCAMBIATORE DI CALORE	EXCHANGEUR DE CHALEUR	WARMBAUSTAUSCHER
14	650313 01	VIBRATION ABSORBER	TUBO ANTIVIBRAZIONI	AMMORTISSEUR VIBRATION	VIBRATIONSABSORBER
23	670091 01 670091 04	COMPRESSOR ASSY 380 V 50 Hz COMPRESSOR ASSY 220 V 60 Hz	ASSIEME COMPRESSORE 380 V 50 Hz ASSIEME COMPRESSORE 220 V 60 Hz	ENSAMBLE COMPRESSEUR 380 V 50 Hz ENSAMBLE COMPRESSEUR 220 V 60 Hz	KOMPRESSOR 380 V 50 Hz KOMPRESSOR 220 V 60 Hz



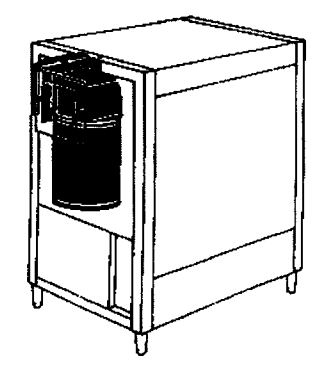
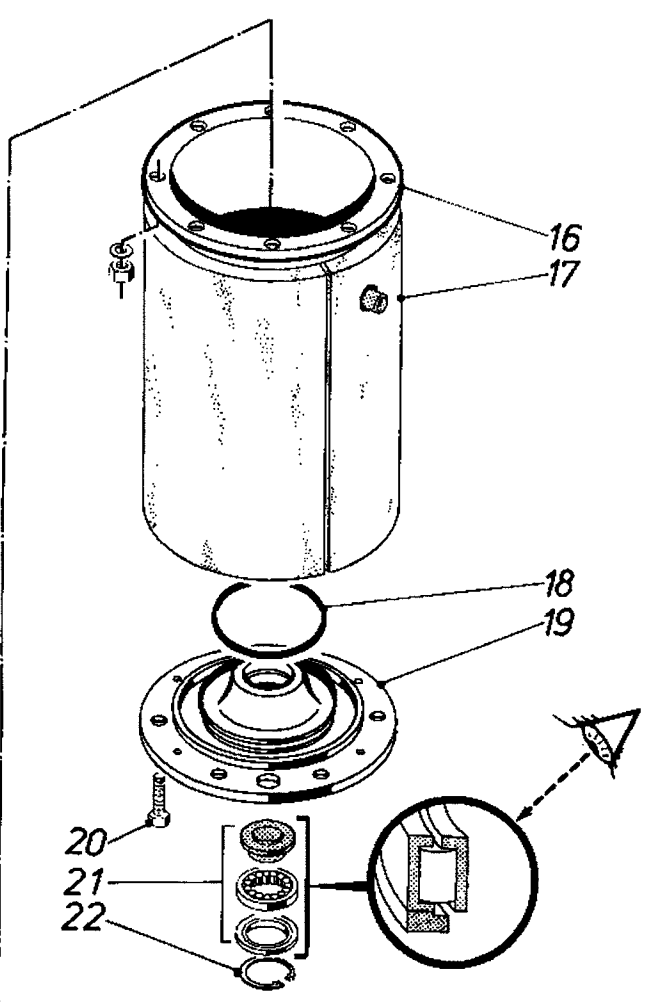
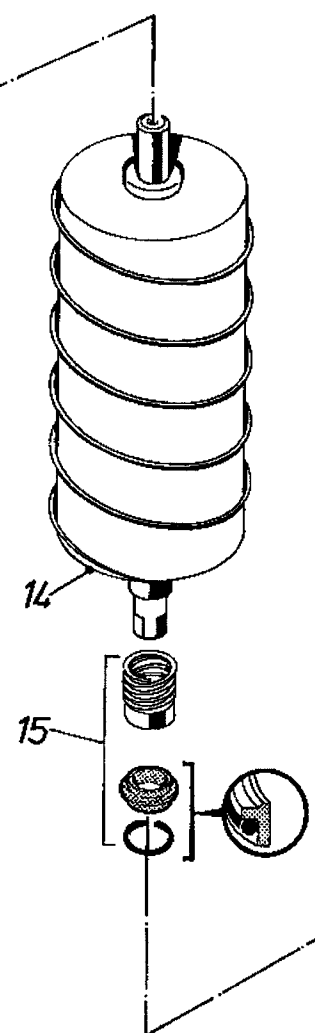
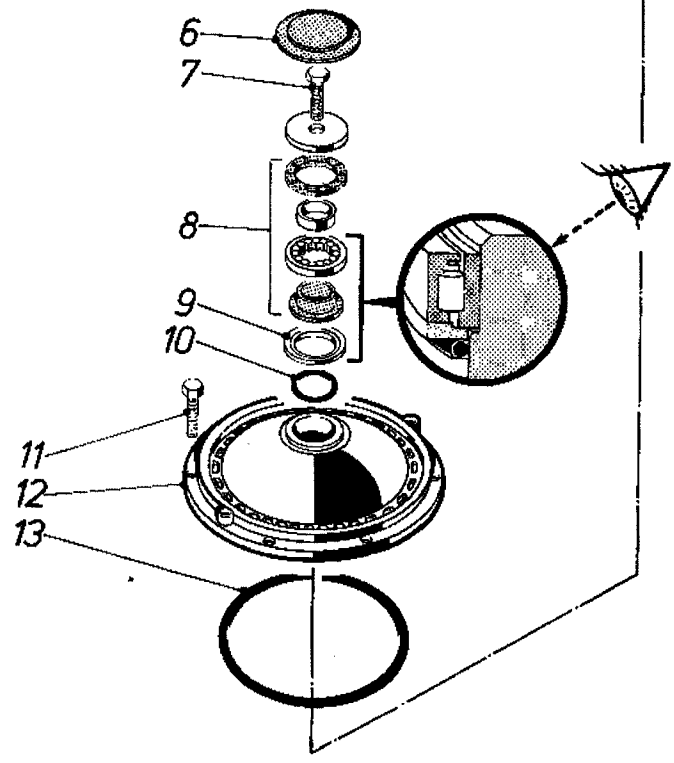
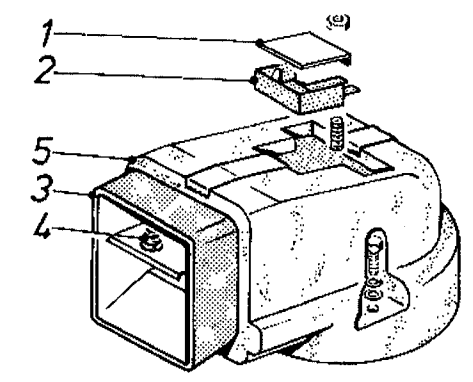
MF 82 - REFRIGERANT SYSTEM WATER COOLED - SISTEMA REFRIGERANTE RAFFR. AD ACQUA
CIRCUIT FRIGORIFIQUE REFROID. PAR EAU - WASSERGEKÜHLT GEFRIERSYSTEM

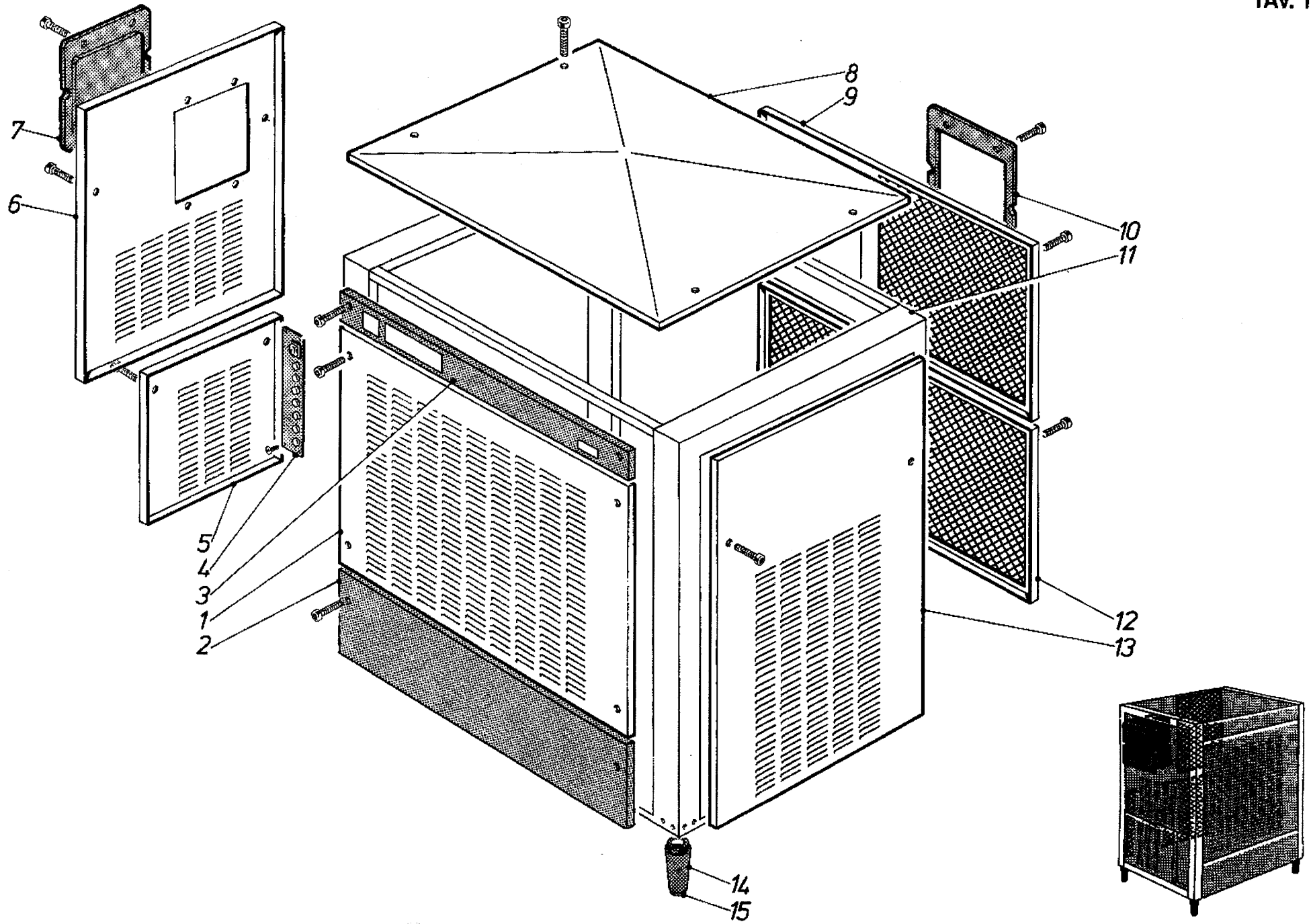
ITEM NO POS NO REP. NO REF. NO	PART NO CODICE REFERENCE STUECK NR	DESCRIPTION	DESCRIZIONE	DESIGNATION	BESCHREIBUNG
1	670024 04	DRIER	FILTRO DEUMIFICATORE	FILTRE DESHYDRATEUR	TROCKNER
2	620372 02	SERVICE VALVE	VALVOLA DI SERVIZIO	VANNE DE SERVICE	VENTIL
3	620300 00	FAN MOTOR	MOTORE VENTILATORE	MOTEUR VENTILATEUR	LUFTER MOTOR
4	620000 01	FAN BLADE	VENTOLA	HELICE	FLUEGEL
5	650424 02	ELBOW FITTING	RACCORDO A GOMITO	RACCORD COUDE	GEKROEPFTE VERBINDUNG
6	620314 04	WATER COOLED CONDENSER	CONDENSATORE AD ACQUA	CONDENSEUR A EAU	WASSERGEKUEHLTE KONDENSATOR
7	620333 01	COMPRESSOR PROTECTOR	PROTETTORE COMPRESSORE	PROTECTEUR COMPRESSEUR	KOMPRESSORSCHUTZVORRICHTUNG
8	650423 01	PLASTIC FITTING	RACCORDI IN PLASTICA	RACCORD POUR TOUYAU	SCHLAUCH
9	460037 04	CLAMP	FASCETTA	COLLIER	SHELLE
10	281900 02	PLASTIC TUBE-PER METER	TUBO IN PLASTICA-PER METRO	TUYAU EN PLASTIQUE-POUR METRE	PLASTIK ROHR-PRO METER
11	281900 02	PLASTIC TUBE-PER METER	TUBO IN PLASTICA-PER METRO	TUYAU EN PLASTIQUE-POUR METRE	PLASTIK ROHR-PRO METER
12	460037 04	CLAMP	FASCETTA	COLLIER	SHELLE
13	650425 01	OUTLET VALVE FITTING	RACCORDO USCITA VALVOLA PRESS.	RACCORD SORTIE VALVE PRESS.	WASSERREGLEREABFLUSSTUECK
14	620111 01	WATER REGULATING VALVE	VALVOLA PRESSOSTATICA	VANNE A EAU PRESSOSTATIQUE	WASSERREGLERVENTIL
15	650425 01	WATER DRAIN FITTING	RACCORDO SCARICO ACQUA	RACCORD ÉVACUATION EAU	WASSERABFLUSSSCHLAUCH
16	704135 03	BRAÇE COLLAR	FASCETTA	COLLIER	TROCKNERHALTERUNG
17	650313 02	VIBRATION ABSORBER	TUBO ANTIVIBRAZIONI	AMMORTISSEUR VIBRATION	VIBRATIONSABSORBER
18	620326 09	EXPANTION VALVE	VALVOLA D'ESPANSIONE	DETENDEUR	EXPANSIONSVENTIL
19	630117 00	MECHANICAL FILTER	FILTRO MECCANICO	FILTRE MECHANIQUE	MECHANISCHER FILTER
20	620324 03	SIGHT GLASS	SPIA DEL LIQUIDO	HUBLOT INDICATEUR LIQUIDE	KÜHLMITTEL ANZEIGER
21	620317 01	HEAT EXCHANGER	SCAMBIATORE DI CALORE	EXCHANGEUR DE CHALEUR	WARMBAUSTAUSCHER
22	650313 01	VIBRATION ABSORBER	TUBO ANTIVIBRAZIONI	AMMORTISSEUR VIBRATION	VIBRATIONSABSORBER
23	670091 01 670091 04	COMPRESSOR ASSY 380 V 50 Hz COMPRESSOR ASSY 220 V 60 Hz	ASSIEME COMPRESSORE 380 V 50 Hz ASSIEME COMPRESSORE 220 V 60 Hz	ENSAMBLE COMPRESSEUR 380 V 50 Hz ENSAMBLE COMPRESSEUR 220 V 60 Hz	KOMPRESSOR 380 V 50 Hz KOMPRESSOR 220 V 60 Hz



MF 82 - WATER SYSTEM - CIRCUITO IDRAULICO - CIRCUIT HYDRAULIQUE - WASSERSYSTEM

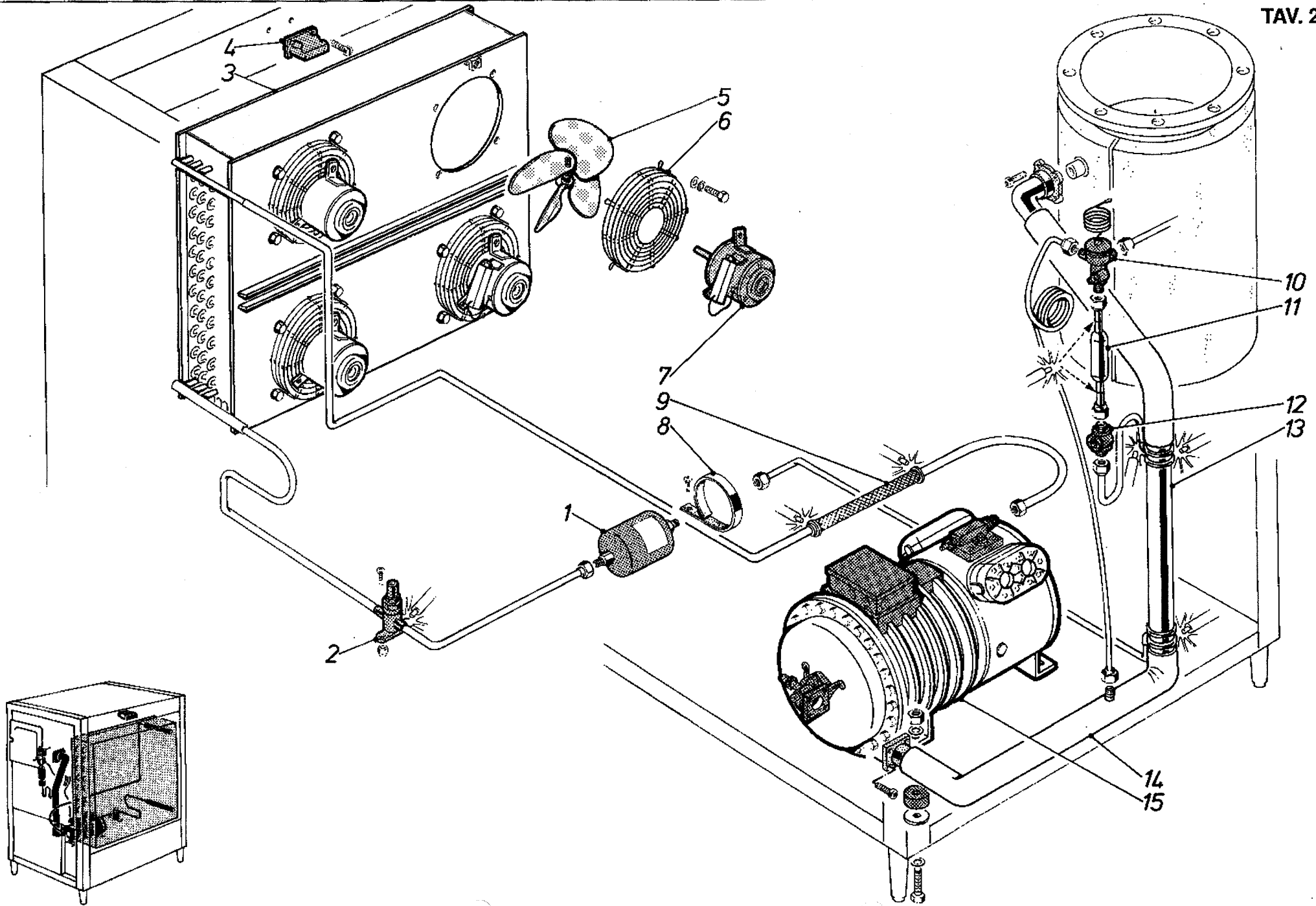
ITEM NO POS NO REP. NO REF. NO	PART NO CODICE REFERENCE STUECK NR	DESCRIPTION	DESCRIZIONE	DESIGNATION	BESCHREIBUNG
1	281830 00	PLASTIC TUBE - PER MTR	TUBO IN PLASTICA - PER METRO	TUYAU EN PLASTIQUE - POUR METRE	PLASTIK ROHR - PRO METER
2	281900 03	PLASTIC TUBE - PER MTR	TUBO IN PLASTICA - PER METRO	TUYAU EN PLASTIQUE - POUR METRE	PLASTIK ROHR - PRO METER
3	460037 04	CLAMP	FASCETTA	COLLIER	SHELLE
4	784391 00	'T' FITTING	RACCORDO A 'T'	RACCORD A 'T'	'T' STUCK - VERBINDUNG
5	281830 00	PLASTIC TUBE - PER MTR	TUBO IN PLASTICA - PER METRO	TUYAU EN PLASTIQUE - POUR METRE	PLASTIK ROHR - PRO METER
6	793126 14	WATER RESERVOIR ASSY	ASS. VASCHETTA GALLEGGIANTE	ENS. RÉSERVOIR	BECKEN/SCHWIMMERVENTILEINHEIT
7	783160 00	WATER RESERVOIR COVER	COPERCHIO VACHETTA	COUVERCLE	BECKENABDECKUNG
8	783161 01	FLOAT VALVE ASSY	ASS. GALLEGGIANTE	ENS. VANNE A FLOTTEUR	SCHWIMMERVENTIL-EINHEIT
9	620241 00	WATER PRESSURE CONTROL	IDROSTATO	PRESSOSTAT D'EAU	WASSERDRUCKSCHALTER
10	460038 02	CLIP RING	ANELLO SEEGER	CIRCLIP	RING
11	460022 00	CLAMP	FASCETTA	COLLIER	SHELLE
12	640100 00	O RING	GUARNIZIONE OR	JOINT TORIQUE	SIMMERING
13	723107 01	NOZZLE	UGELLO	GICLEUR	VENTILSDUESE
14	650425 01	OUTLET VALVE FITTING	RACCORDO USCITA VALVOLA PRESS.	RACCORD SORTIE VALVE PRESS.	WASSERREGLEREABFLUSSSTUECK
15	620111 01	WATER REGULATING VALVE	VALVOLA PRESSOSTATICA	VANNE A EAU PRESSOSTATIQUE	WASSERREGLERVENTIL
16	400030 00	NUT	DADO	ECROU	MUTTER
17	400031 00	FIBER WASHER	RONDELLA IN FIBRA	RONDELLE EN FIBRE	FIBER SCHEIBE
18	733205 00	WATER INLET FITTING	RACCORDO INGRESSO ACQUA	RACCORD ARRIVÉE D'EAU	WASSEREINLAUFSTÜCK
19	650104 00	STRAINER	FILTRO	FILTRE	FILTER
20	400031 03	FIBER WASHER	RONDELLA IN FIBRA	RONDELLE EN FIBRE	FIBER SCHEIBE
21	733204 01	WATER INLET FITTING	RACCORDO INGRESSO ACQUA	RACCORD ARRIVÉE D'EAU	WASSEREINLAUFSTÜCK
22	400031 03	FIBER WASHER	RONDELLA IN FIBRA	RONDELLE EN FIBRE	FIBER SCHEIBE
23	733204 01	WATER INLET FITTING	RACCORDO INGRESSO ACQUA	RACCORD ARRIVÉE D'EAU	WASSEREINLAUFSTÜCK
24	660535 00	PLASTIC RING NUT	GHIERA IN PLASTICA	COLLIER DE SERRAGE EN PLASTIQUE	PLASTIKRINGMUTTER
25	660224 00	WATER DRAIN FITTING	RACCORDO SCARICO ACQUA	RACCORD EVACUATION EAU	WASSERABFLUSSANSCHLUSS
26	460037 00	CLAMP	FASCETTA	COLLIER	SHELLE





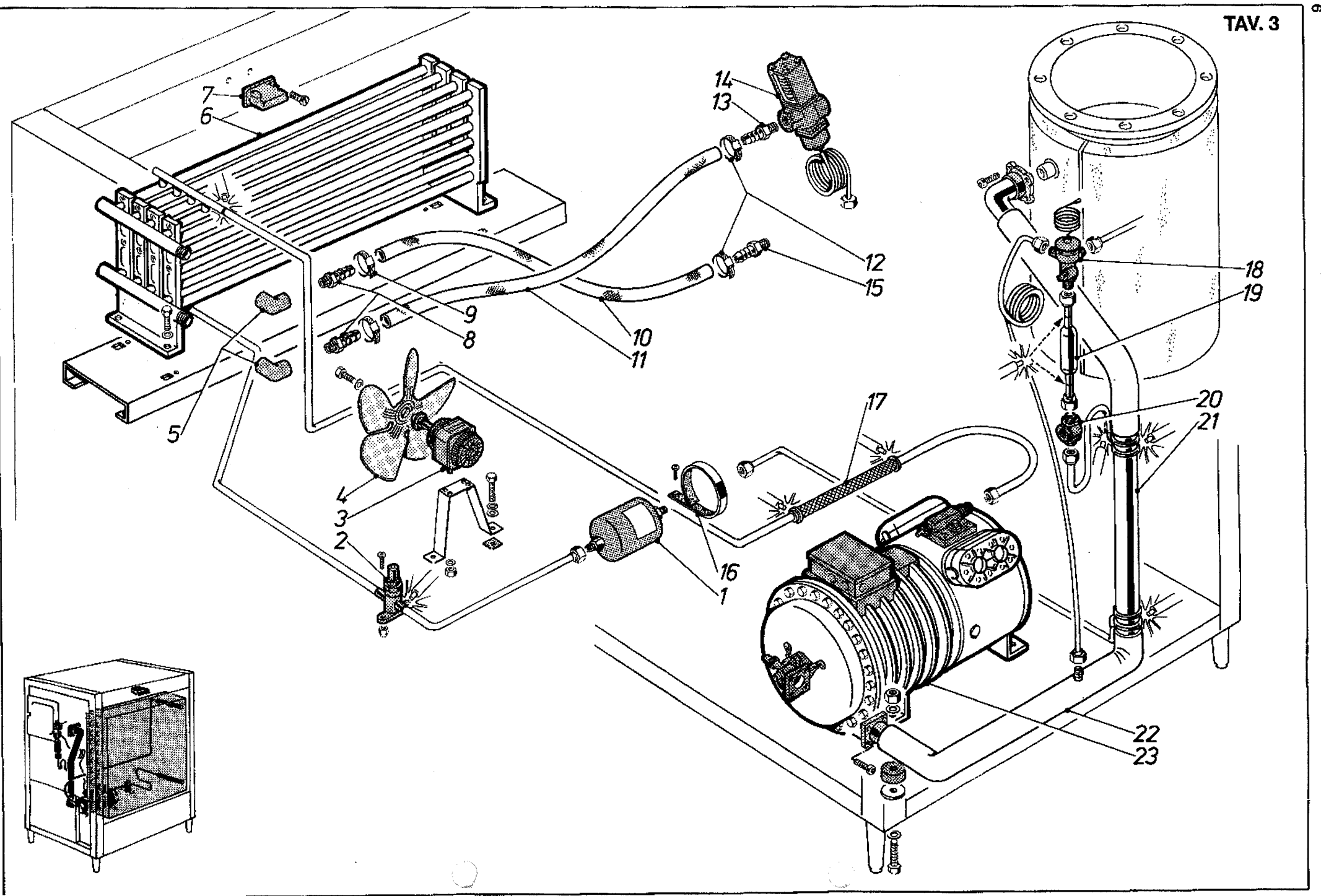
MF 82 - UNIT PANELS - ASSIEME MOBILE - ENS. CARROSSERIE - MACHINEN GEHAUSE

ITEM NO POS NO REP. NO REF. NO	PART NO CODICE REFERENCE STUECK NR	DESCRIPTION	DESCRIZIONE	DESIGNATION	BESCHREIBUNG
1	701948 04	CENTER FRONT PANEL	PANNELLO FRONTALE CENTRALE	PANNEAU FRONTA CENTRALE	MITTERE VORDERWAND
2	701965 06	LOWER FRONT PANEL	PANNELLO FRONTALE INFERIORE	PANNEAU FRONTAL INF.	UNTERE VORDERWAND
3	721517 01	UPPER FRONT PANEL	PANNELLO FRONTALE SUPERIORE	PANNEAU FRONTAL SUP.	OBERE VORDERWAND
4	721330 10	S.S. MONITOR CONTROL PANEL	PANNELLO DI CONTROLLO	PLAQUETTE	SCHALTTADEL
5	701975 01	LOWER LEFT SIDE PANEL	PANNELLO INFERIORE SX	PANNEAU INF. GAUCHE	LINKE UNTERWAND
6	701974 09	UPPER LEFT SIDE PANEL	PANNELLO SUPERIORE SX	PANNEAU SUP. GAUCHE	LINKE OBERWAND
7	660504 00	PLASTIC SPOUT OPENING COVER	COPERCHIO IN PLASTICA	COUVERCLE EN PLASTIQUE	PLASTIKDECKEL
8	702081 01	TOP PANEL	PANNELLO SUPERIORE	PANNEAU DESSUS	ABDECKHAUBE
9	781374 13	UPPER REAR SIDE PANEL	PANNELLO POSTERIORE SUPERIORE	PANNEAU ARRIERE SUP.	OBERE RÜCKWAND
10	660504 01	SPOUT OPENING FRAME	CORNICE IN PLASTICA	ENCADREMENT	RAHMEN
11	791050 04	UNIT FRAME ASSY	ASS. TELAIO	ENS. CHASSIS	UNTERGESTELLEINHEIT
12	781374 11	LOWER REAR SIDE PANEL	PANNELLO POSTERIORE INFERIORE	PANNEAU ARRIERE INF.	UNTERE RÜCKWAND
13	701976 01	RIGHT SIDE PANEL	PANNELLO LATERALE DX	PANNEAU DROITE	RECHTE SEITENWAND
14	764011 00	LEG	PIEDINO	PIED	FUSS
15	751001 00	LEG LEVELLER	DADO DI REGOLAZIONE	VIS DE REGLAGE PIEDS	NIVELLIERUNGSHUELSE



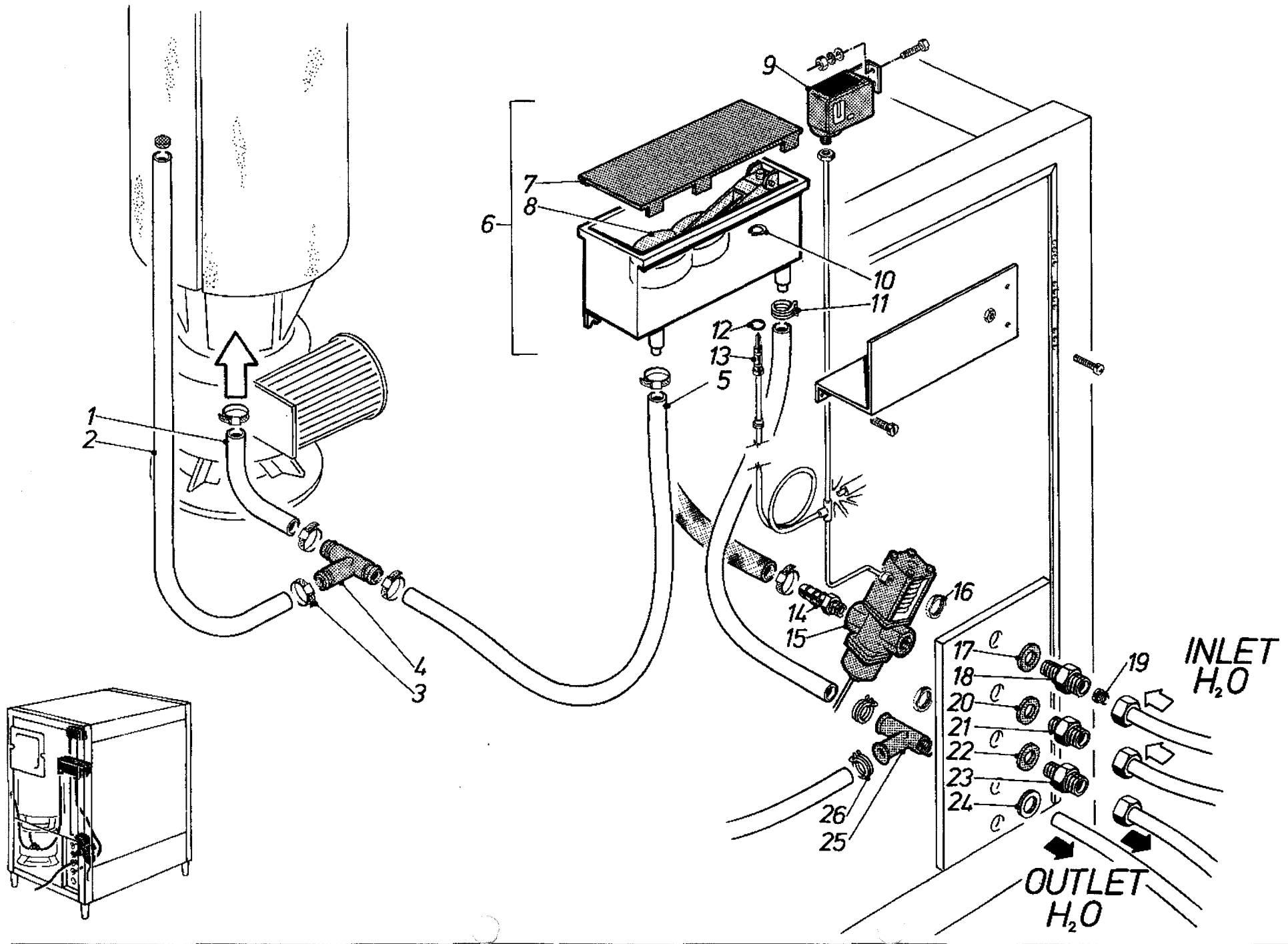
MF 82 - REFRIGERANT SYSTEM AIR COOLED - SISTEMA REFRIGERANTE RAFFR. AD ARIA
CIRCUIT FRIGORIFIQUE REFROID. PAR AIR - LUFTGEKÜHLT GEFRIERSYSTEM

ITEM NO POS NO REP. NO REF. NO	PART NO CODICE REFERENCE STUECK NR	DESCRIPTION	DESCRIZIONE	DESIGNATION	BESCHREIBUNG
1	670024 04	DRIER	FILTRO DEUMIFICATORE	FILTRE DESHYDRATEUR	TROCKNER
2	620372 02	SERVICE VALVE	VALVOLA DI SERVIZIO	VANNE DE SERVICE	VENTIL
3	620381 00	AIR COOLED CONDENSER	CONDENSATORE AD ARIA	CONDENSEUR A AIR	LUFTGEKUEHLTE KONDENSATOR
4	620333 01	COMPRESSOR PROTECTOR	PROTETTORE COMPRESSORE	PROTECTEUR COMPRESSEUR	KOMPRESSORSCHUTZVORRICHTUNG
5	620274 01	FAN BLADE	VENTOLA	HELICE	FLUEGEL
6	620338 01	FAN GRID	GRIGLIA	GRILLE DE PROTECTION	SCHUTZGITTER
7	620273 02	FAN MOTOR	MOTORE VENTILATORE	MOTEUR VENTILATEUR	LUFTER MOTOR
8	704135 03	BRACE COLLAR	FASCETTA	COLLIER	TROCKNERHALTERUNG
9	650313 02	VIBRATION ABSORBER	TUBO ANTIVIBRAZIONI	AMMORTISSEUR VIBRATION	VIBRATIONSABSORBER
10	620326 09	EXPANTION VALVE	VALVOLA D'ESPANSIONE	DETENDEUR	EXPANSIONSVENTIL
11	630117 00	MECHANICAL FILTER	FILTRO MECCANICO	FILTRE MECHANIQUE	MECHANISCHER FILTER
12	620324 03	SIGHT GLASS	SPIA DEL LIQUIDO	HUBLLOT INDICATEUR LIQUIDE	KÜHLMITTEL ANZEIGER
13	620317 01	HEAT EXCHANGER	SCAMBIATORE DI CALORE	EXCHANGEUR DE CHALEUR	WARMBAUSTAUSCHER
14	650313 01	VIBRATION ABSORBER	TUBO ANTIVIBRAZIONI	AMMORTISSEUR VIBRATION	VIBRATIONSABSORBER
23	670091 01 670091 04	COMPRESSOR ASSY 380 V 50 Hz COMPRESSOR ASSY 220 V 60 Hz	ASSIEME COMPRESSORE 380 V 50 Hz ASSIEME COMPRESSORE 220 V 60 Hz	ENSAMBLE COMPRESSEUR 380 V 50 Hz ENSAMBLE COMPRESSEUR 220 V 60 Hz	KOMPRESSOR 380 V 50 Hz KOMPRESSOR 220 V 60 Hz



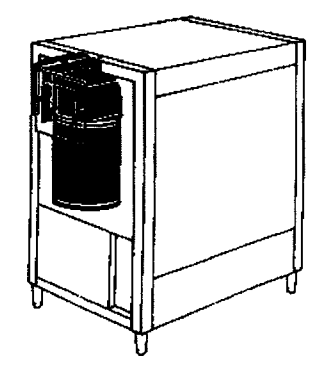
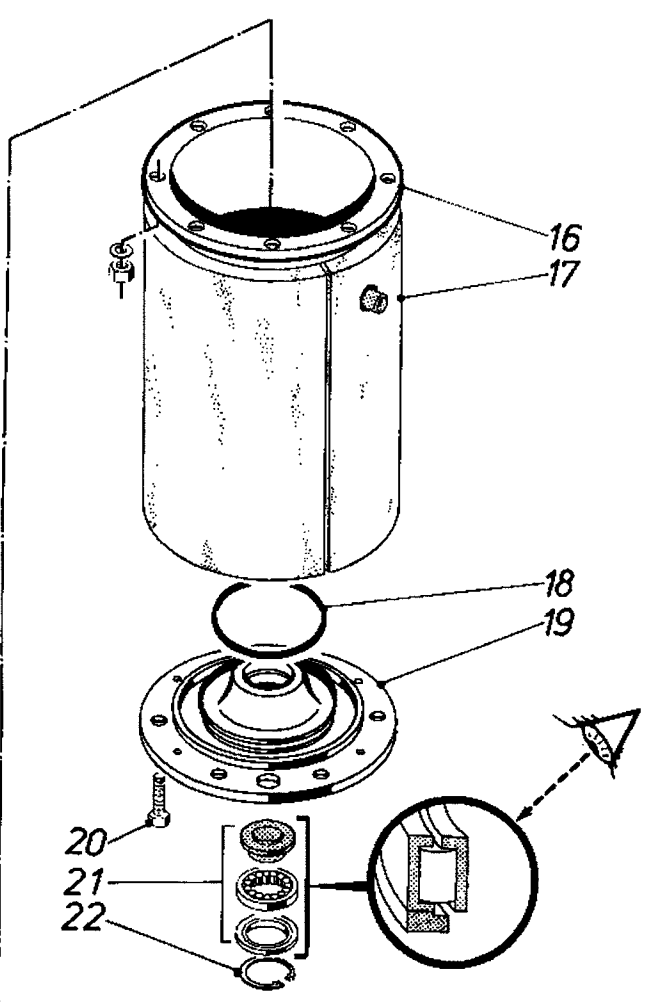
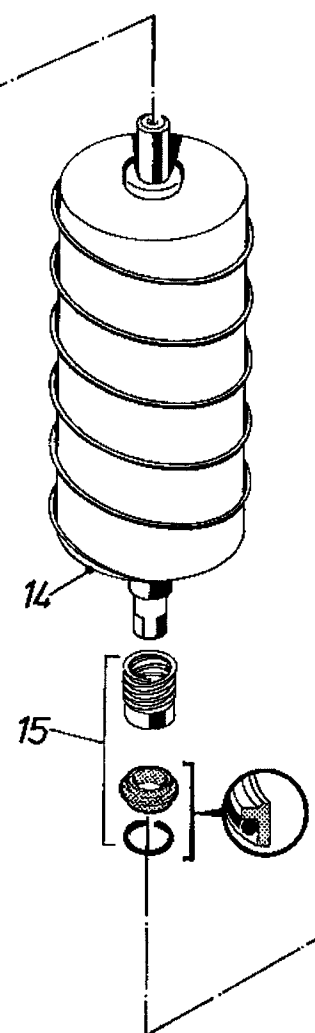
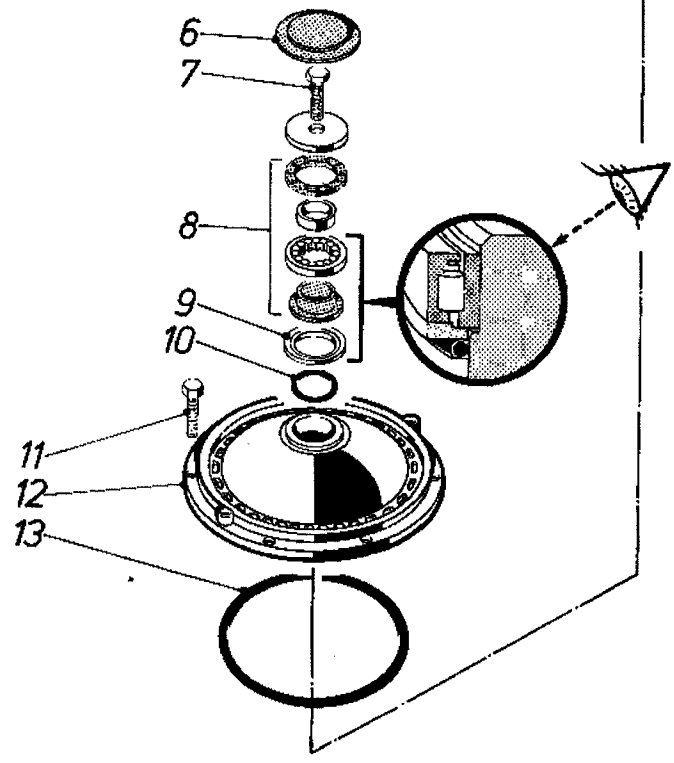
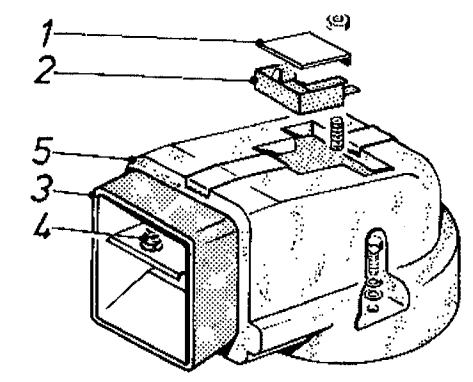
MF 82 - REFRIGERANT SYSTEM WATER COOLED - SISTEMA REFRIGERANTE RAFFR. AD ACQUA
CIRCUIT FRIGORIFIQUE REFROID. PAR EAU - WASSERGEKÜHLT GEFRIERSYSTEM

ITEM NO POS NO REP. NO REF. NO	PART NO CODICE REFERENCE STUECK NR	DESCRIPTION	DESCRIZIONE	DESIGNATION	BESCHREIBUNG
1	670024 04	DRIER	FILTRO DEUMIFICATORE	FILTRE DESHYDRATEUR	TROCKNER
2	620372 02	SERVICE VALVE	VALVOLA DI SERVIZIO	VANNE DE SERVICE	VENTIL
3	620300 00	FAN MOTOR	MOTORE VENTILATORE	MOTEUR VENTILATEUR	LUFTER MOTOR
4	620000 01	FAN BLADE	VENTOLA	HELICE	FLUEGEL
5	650424 02	ELBOW FITTING	RACCORDO A GOMITO	RACCORD COUDE	GEKROEPFTE VERBINDUNG
6	620314 04	WATER COOLED CONDENSER	CONDENSATORE AD ACQUA	CONDENSEUR A EAU	WASSERGEKUEHLTE KONDENSATOR
7	620333 01	COMPRESSOR PROTECTOR	PROTETTORE COMPRESSORE	PROTECTEUR COMPRESSEUR	KOMPRESSORSCHUTZVORRICHTUNG
8	650423 01	PLASTIC FITTING	RACCORDI IN PLASTICA	RACCORD POUR TUYAU	SCHLAUCH
9	460037 04	CLAMP	FASCETTA	COLLIER	SHELLE
10	281900 02	PLASTIC TUBE-PER METER	TUBO IN PLASTICA-PER METRO	TUYAU EN PLASTIQUE-POUR METRE	PLASTIK ROHR-PRO METER
11	281900 02	PLASTIC TUBE-PER METER	TUBO IN PLASTICA-PER METRO	TUYAU EN PLASTIQUE-POUR METRE	PLASTIK ROHR-PRO METER
12	460037 04	CLAMP	FASCETTA	COLLIER	SHELLE
13	650425 01	OUTLET VALVE FITTING	RACCORDO USCITA VALVOLA PRESS.	RACCORD SORTIE VALVE PRESS.	WASSERREGLEREABFLUSSSTUECK
14	620111 01	WATER REGULATING VALVE	VALVOLA PRESSOSTATICA	VANNE A EAU PRESSOSTATIQUE	WASSERREGLERVENTIL
15	650425 01	WATER DRAIN FITTING	RACCORDO SCARICO ACQUA	RACCORD ÉVACUATION EAU	WASSERABFLUSSSCHLAUCH
16	704135 03	BRAÇE COLLAR	FASCETTA	COLLIER	TROCKNERHALTERUNG
17	650313 02	VIBRATION ABSORBER	TUBO ANTIVIBRAZIONI	AMMORTISSEUR VIBRATION	VIBRATIONSABSORBER
18	620326 09	EXPANTION VALVE	VALVOLA D'ESPANSIONE	DETENDEUR	EXPANSIONSVENTIL
19	630117 00	MECHANICAL FILTER	FILTRO MECCANICO	FILTRE MECHANIQUE	MECHANISCHER FILTER
20	620324 03	SIGHT GLASS	SPIA DEL LIQUIDO	HUBLOT INDICATEUR LIQUIDE	KÜHLMITTEL ANZEIGER
21	620317 01	HEAT EXCHANGER	SCAMBIATORE DI CALORE	EXCHANGEUR DE CHALEUR	WARMBAUSTAUSCHER
22	650313 01	VIBRATION ABSORBER	TUBO ANTIVIBRAZIONI	AMMORTISSEUR VIBRATION	VIBRATIONSABSORBER
23	670091 01 670091 04	COMPRESSOR ASSY 380 V 50 Hz COMPRESSOR ASSY 220 V 60 Hz	ASSIEME COMPRESSORE 380 V 50 Hz ASSIEME COMPRESSORE 220 V 60 Hz	ENSAMBLE COMPRESSEUR 380 V 50 Hz ENSAMBLE COMPRESSEUR 220 V 60 Hz	KOMPRESSOR 380 V 50 Hz KOMPRESSOR 220 V 60 Hz



MF 82 - WATER SYSTEM - CIRCUITO IDRAULICO - CIRCUIT HYDRAULIQUE - WASSERSYSTEM

ITEM NO POS NO REP. NO REF. NO	PART NO CODICE REFERENCE STUECK NR	DESCRIPTION	DESCRIZIONE	DESIGNATION	BESCHREIBUNG
1	281830 00	PLASTIC TUBE - PER MTR	TUBO IN PLASTICA - PER METRO	TUYAU EN PLASTIQUE - POUR METRE	PLASTIK ROHR - PRO METER
2	281900 03	PLASTIC TUBE - PER MTR	TUBO IN PLASTICA - PER METRO	TUYAU EN PLASTIQUE - POUR METRE	PLASTIK ROHR - PRO METER
3	460037 04	CLAMP	FASCETTA	COLLIER	SHELLE
4	784391 00	'T' FITTING	RACCORDO A 'T'	RACCORD A 'T'	'T' STUCK - VERBINDUNG
5	281830 00	PLASTIC TUBE - PER MTR	TUBO IN PLASTICA - PER METRO	TUYAU EN PLASTIQUE - POUR METRE	PLASTIK ROHR - PRO METER
6	793126 14	WATER RESERVOIR ASSY	ASS. VASCHETTA GALLEGGIANTE	ENS. RÉSERVOIR	BECKEN/SCHWIMMERVENTILEINHEIT
7	783160 00	WATER RESERVOIR COVER	COPERCHIO VACHETTA	COUVERCLE	BECKENABDECKUNG
8	783161 01	FLOAT VALVE ASSY	ASS. GALLEGGIANTE	ENS. VANNE A FLOTTEUR	SCHWIMMERVENTIL-EINHEIT
9	620241 00	WATER PRESSURE CONTROL	IDROSTATO	PRESSOSTAT D'EAU	WASSERDRUCKSCHALTER
10	460038 02	CLIP RING	ANELLO SEEGER	CIRCLIP	RING
11	460022 00	CLAMP	FASCETTA	COLLIER	SHELLE
12	640100 00	O RING	GUARNIZIONE OR	JOINT TORIQUE	SIMMERING
13	723107 01	NOZZLE	UGELLO	GICLEUR	VENTILSDUESE
14	650425 01	OUTLET VALVE FITTING	RACCORDO USCITA VALVOLA PRESS.	RACCORD SORTIE VALVE PRESS.	WASSERREGLEREABFLUSSSTUECK
15	620111 01	WATER REGULATING VALVE	VALVOLA PRESSOSTATICA	VANNE A EAU PRESSOSTATIQUE	WASSERREGLERVENTIL
16	400030 00	NUT	DADO	ECROU	MUTTER
17	400031 00	FIBER WASHER	RONDELLA IN FIBRA	RONDELLE EN FIBRE	FIBER SCHEIBE
18	733205 00	WATER INLET FITTING	RACCORDO INGRESSO ACQUA	RACCORD ARRIVÉE D'EAU	WASSEREINLAUFSTÜCK
19	650104 00	STRAINER	FILTRO	FILTRE	FILTER
20	400031 03	FIBER WASHER	RONDELLA IN FIBRA	RONDELLE EN FIBRE	FIBER SCHEIBE
21	733204 01	WATER INLET FITTING	RACCORDO INGRESSO ACQUA	RACCORD ARRIVÉE D'EAU	WASSEREINLAUFSTÜCK
22	400031 03	FIBER WASHER	RONDELLA IN FIBRA	RONDELLE EN FIBRE	FIBER SCHEIBE
23	733204 01	WATER INLET FITTING	RACCORDO INGRESSO ACQUA	RACCORD ARRIVÉE D'EAU	WASSEREINLAUFSTÜCK
24	660535 00	PLASTIC RING NUT	GHIERA IN PLASTICA	COLLIER DE SERRAGE EN PLASTIQUE	PLASTIKRINGMUTTER
25	660224 00	WATER DRAIN FITTING	RACCORDO SCARICO ACQUA	RACCORD EVACUATION EAU	WASSERABFLUSSANSCHLUSS
26	460037 00	CLAMP	FASCETTA	COLLIER	SHELLE

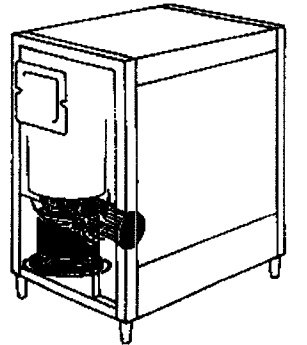
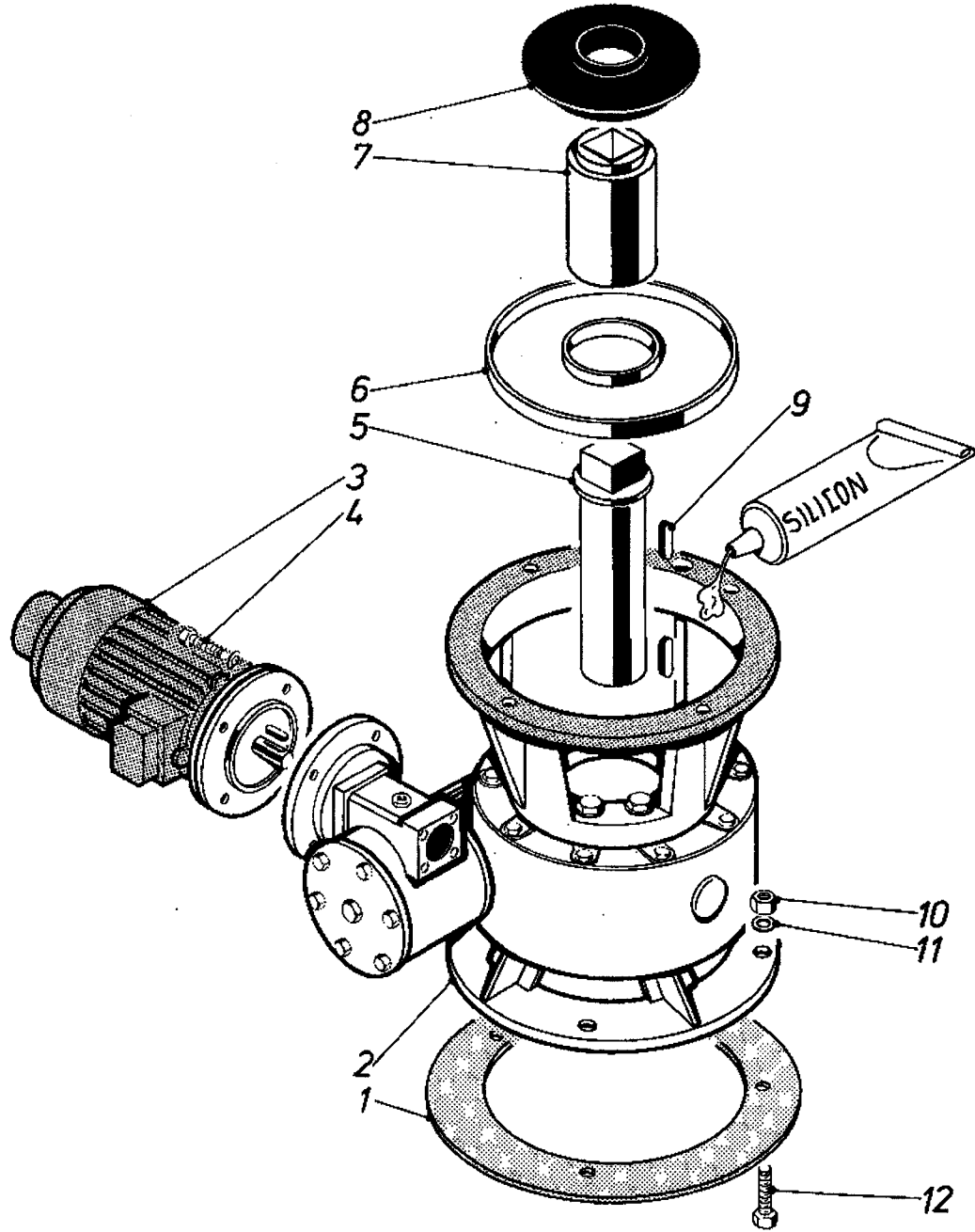


MF 82 - FREEZER ASSY - ASSIEME EVAPORATORE - ENSEMBLE EVAPORATEUR - GEFRIERZYLINDEREINHEIT

ITEM NO POS NO REP. NO REF. NO	PART NO CODICE REFERENCE STUECK NR	DESCRIPTION	DESCRIZIONE	DESIGNATION	BESCHREIBUNG
1	724101 00	SPOUT SWITCH COVER	COPERCHIO INTERRUOTORE BOCCHETTA	COUVERCLE BOITE MICRO	MIKRO-KASTEN DEKEL
2	794048 02 620396 00	SPOUT MICROSWITCH ASSY SPOUT SWITCH ONLY	ASS. MICRO INTERRUOTORE BOCCHETTA MICRO BOCCHETTA	BOITE AVEC MICRO MICROINTERRUPTEUR	MIKRO SCHALTER UND KASTEN MIKRO SCHALTER
3	794266 01	PLASTIC SPOUT	BOCCHETTA IN PLASTICA	GOULOTTE EN PLASTIQUE	PLASTIKEISWURFSCHUTE
4	721482 00	PRESSURE PLATE ASSY	ASS. PISTRINA DI PRESSIONE	PLAQUE DE PRESSION	DRÜCKPLATTE
5	650603 00 650603 01	SPOUT INSULATION SPOUT INSULATION	ISOLAMENTO BOCCHETTA ISOLAMENTO BOCCHETTA	ISOLATION GOULOTTE ISOLATION GOULOTTE	ISOLIERTE EISWURFSCHUTE ISOLIERTE EISWURFSCHUTE
6	660492 01	PLASTIC CUP	CALOTTA IN PLASTICA	CALOTTE	KUGELHAUBE
7	420002 18	SCREW	VITE	VIS	SCHRAUBE
8	651062 01	TOP BEARING	CUSCINETTO SUPERIORE	PALIER SUPERIEUR	OBERESLAGER
9	651010 00	BRASS RING	ANELLO DI OTTONE	ANNEAU EN LAITON	MESSING RING
10	640041 16	O RING	GUARNIZIONE OR	JOINT TORIQUE	O RING
11	420002 21	SCREW	VITE	VIS	SCHRAUBE
12	743140 00	ICE BREAKER	ROMPIGHIACCIO	BROYEUR	EISBRECHER
13	640041 14	O RING	GUARNIZIONE OR	JOINT TORIQUE	O RING
14	784352 03	AUGER	COCLEA	VIS SANS FIN	SCHNECKE
15	650525 00	WATER SEAL	ASSIEME PREMISTOPPA	GARNITURE D'ETANCHEITE	WASSERDICHTUNGSEINHEIT
16	784408 01	WORM TUBE ONLY	TUBO EVAPORATORE	CYLINDRE EVAPORATEUR	GEFRIERZYLINDER
17	650604 02 650604 03	INSULATION LEFT INSULATION RIGHT	ISOLAMENTO SINISTRO ISOLAMENTO DESTRO	ISOLATION GAUCHE ISOLATION DROITE	GEFRIERZYLINDERISOLIERUNG-LINKS GEFRIERZYLINDERISOLIERUNG-RECHTS
18	640041 22	O RING	GUARNIZIONE OR	JOINT TORIQUE	O RING
19	743141 00	BEARING RETAINER	SUPPORTO CUSCINETTO	LOGEMENT PALIER	UNTERESLAGERGEHAUSE
20	420002 16	SCREW	VITE	VIS	SCHRAUBE
21	651062 00	LO BEARING	CUSCINETTO INFERIORE	PALIER INFERIEUR	UNTERESLAGER
22	460044 00	CLIP RING	ANELLO SEEGER	CIRCLIP	RING
	794286 00	FREEZER ASSY	ASSIEME EVAPORATORE	ENS. EVAPORATEUR	GEFRIERZYLINDEREINHEIT

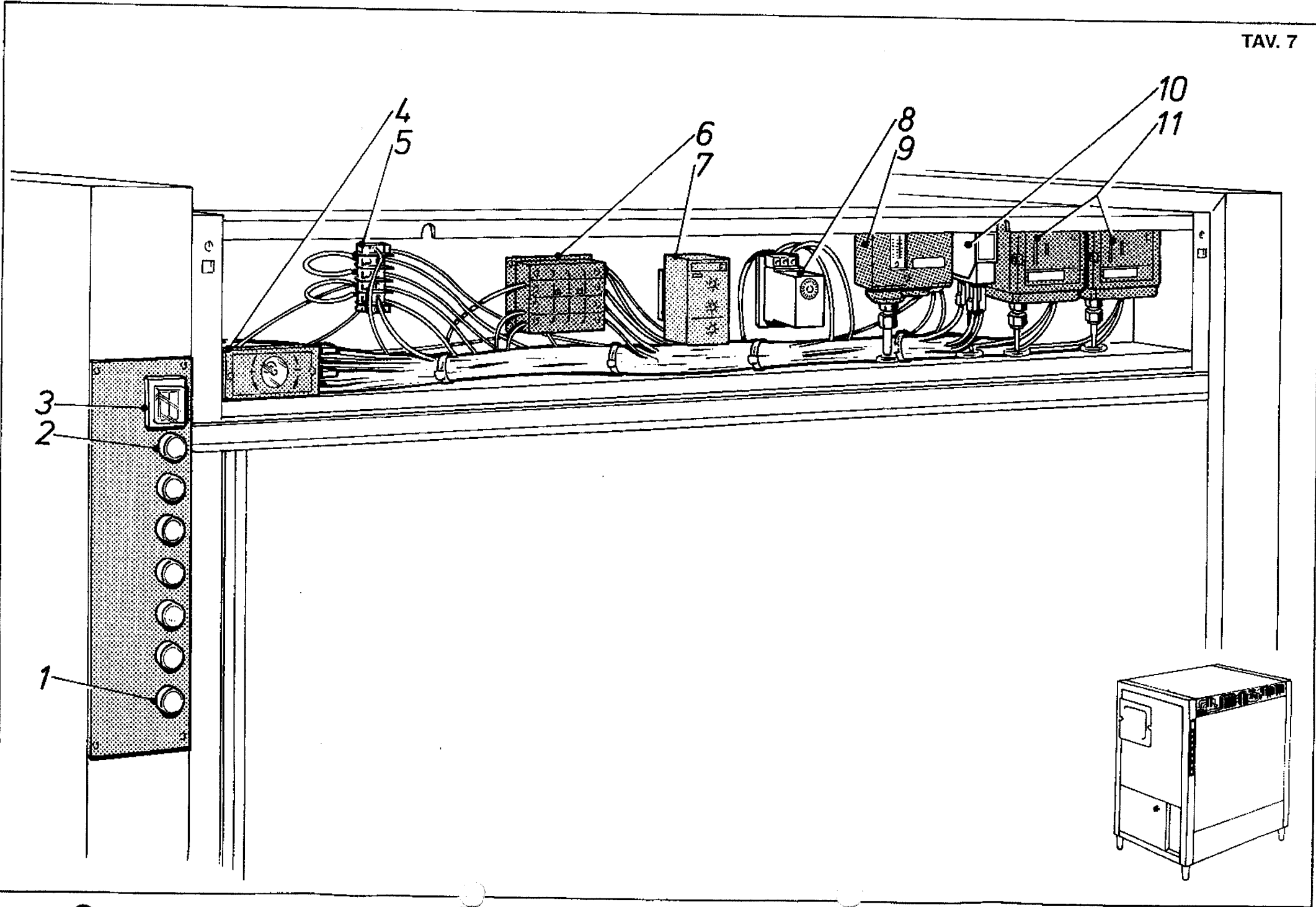
MF 82 - FREEZER ASSY - ASSIEME EVAPORATORE - ENSEMBLE EVAPORATEUR - GEFRIERZYLINDEREINHEIT

ITEM NO POS NO REP. NO REF. NO	PART NO CODICE REFERENCE STUECK NR	DESCRIPTION	DESCRIZIONE	DESIGNATION	BESCHREIBUNG
1	724101 00	SPOUT SWITCH COVER	COPERCHIO INTERRUOTORE BOCCHETTA	COUVERCLE BOITE MICRO	MIKRO-KASTEN DEKEL
2	794048 02 620396 00	SPOUT MICROSWITCH ASSY SPOUT SWITCH ONLY	ASS. MICRO INTERRUOTORE BOCCHETTA MICRO BOCCHETTA	BOITE AVEC MICRO MICROINTERRUPTEUR	MIKRO SCHALTER UND KASTEN MIKRO SCHALTER
3	794266 01	PLASTIC SPOUT	BOCCHETTA IN PLASTICA	GOULOTTE EN PLASTIQUE	PLASTIKEISWURFSCHUTE
4	721482 00	PRESSURE PLATE ASSY	ASS. PISTRINA DI PRESSIONE	PLAQUE DE PRESSION	DRÜCKPLATTE
5	650603 00 650603 01	SPOUT INSULATION SPOUT INSULATION	ISOLAMENTO BOCCHETTA ISOLAMENTO BOCCHETTA	ISOLATION GOULOTTE ISOLATION GOULOTTE	ISOLIERTE EISWURFSCHUTE ISOLIERTE EISWURFSCHUTE
6	660492 01	PLASTIC CUP	CALOTTA IN PLASTICA	CALOTTE	KUGELHAUBE
7	420002 18	SCREW	VITE	VIS	SCHRAUBE
8	651062 01	TOP BEARING	CUSCINETTO SUPERIORE	PALIER SUPERIEUR	OBERESLAGER
9	651010 00	BRASS RING	ANELLO DI OTTONE	ANNEAU EN LAITON	MESSING RING
10	640041 16	O RING	GUARNIZIONE OR	JOINT TORIQUE	O RING
11	420002 21	SCREW	VITE	VIS	SCHRAUBE
12	743140 00	ICE BREAKER	ROMPIGHIACCIO	BROYEUR	EISBRECHER
13	640041 14	O RING	GUARNIZIONE OR	JOINT TORIQUE	O RING
14	784352 03	AUGER	COCLEA	VIS SANS FIN	SCHNECKE
15	650525 00	WATER SEAL	ASSIEME PREMISTOPPA	GARNITURE D'ETANCHEITE	WASSERDICHTUNGSEINHEIT
16	784408 01	WORM TUBE ONLY	TUBO EVAPORATORE	CYLINDRE EVAPORATEUR	GEFRIERZYLINDER
17	650604 02 650604 03	INSULATION LEFT INSULATION RIGHT	ISOLAMENTO SINISTRO ISOLAMENTO DESTRO	ISOLATION GAUCHE ISOLATION DROITE	GEFRIERZYLINDERISOLIERUNG-LINKS GEFRIERZYLINDERISOLIERUNG-RECHTS
18	640041 22	O RING	GUARNIZIONE OR	JOINT TORIQUE	O RING
19	743141 00	BEARING RETAINER	SUPPORTO CUSCINETTO	LOGEMENT PALIER	UNTERESLAGERGEHAUSE
20	420002 16	SCREW	VITE	VIS	SCHRAUBE
21	651062 00	LO BEARING	CUSCINETTO INFERIORE	PALIER INFERIEUR	UNTERESLAGER
22	460044 00	CLIP RING	ANELLO SEEGER	CIRCLIP	RING
	794286 00	FREEZER ASSY	ASSIEME EVAPORATORE	ENS. EVAPORATEUR	GEFRIERZYLINDEREINHEIT



MF 82 - GEAR MOTOR ASSY - ASSIEME MOTORIDUTTORE - ENSEMBLE MOTOREDUCTEUR - GETRIEBEMOTOREINHEIT

ITEM NO POS NO REP. NO REF. NO	PART NO CODICE REFERENCE STUECK NR	DESCRIPTION	DESCRIZIONE	DESIGNATION	BESCHREIBUNG
1	650584 00	ABS GASKET	GUARNIZIONE IN ABS	JOINT EN ABS	ABS DICHTUNG
2	620408 00	GEAR REDUCER ASSY	ASS. MOTORIDUTTORE	ENS .MOTOREDUCTEUR	GETRIEBEMOTOR-EINHEIT
3	620409 00	DRIVE MOTOR ASSY	MOTORE RIDUTTORE	MOTEUR DU REDUCTEUR	MOTOREINHEIT
4	420019 00	SCREW	VITE	VIS	SCHRAUBE
5	704255 01	SHAFT	ALBERO DI TRASMISSIONE	AXE DE TRAMMISSION	UEBERTRAGUNGSWELLE
6	660495 00	DRIP TRAY	VASSOIO RACCOGLIGOCCE	GOUELLE D'EAU	TROPFSCHALE
7	764014 00	COUPLING	GIUNTO	BAGUE D'ACCOUPLEMENT CPL	KUPPLUNG
8	640108 00	RUBBER PAN	CONVOGLIATORE	PARA GOUTTES	GELEITESTÜCK
9	460043 00	KEY	CHIAVETTA	CLAVETTE	KEIL
10	430001 07	NUT	DADO	ECROU	MUTTER
11	440015 07	WASHER	RONDELLA	RONDELLE	SCHEIBE
12	420002 19	SCREW	VITE	VIS	SCHRAUBE



MF 82 - CONTROL BOX - ASSIEME SCATOLA ELETTRICA - ENSAMBLE BOITIER ELECTRIQUE - ELEKTRISCHE KASTEN

ITEM NO POS NO REP. NO REF. NO	PART NO CODICE REFERENCE STUECK NR	DESCRIPTION	DESCRIZIONE	DESIGNATION	BESCHREIBUNG
1	630091 14	RED LIGHT	LUCE SPIA ROSSA	VOYANT LUMINEUX ROUGE	ROTSIGNALLAMPE
2	630091 13	ORANGE LIGHT	LUCE SPIA ARANCIO	VOYANT LUMINEUX ORANGE	ORANGENGELBE SIGNALLAMPE
3	630113 00	LIGHTED SWITCH	INTERRUTTORE LUMINOSO	INTERRUPTEUR LUMINEUX	LEUCHTENDER SCHALTER
4	620209 00	BIN THERMOSTAT	TERMOSTATO CONTENITORE	THERMOSTAT CABINE	SPEICHERTHERMOSTAT
5	630114 01	TERMINAL BOARD	MORSETTIERA	BORNIER	ANSCHLUSSKASTEN
6	630124 14 630124 12	CONTACTOR 220 V 60 Hz CONTACTOR 380 V 50 Hz	TELERUTTORE 220 V 60 Hz TELERUTTORE 380 V 50 Hz	CONTACTEUR 220 V 60 Hz CONTACTEUR 380 V 50 Hz	MAGNETSCHALTER 220 V 60 Hz MAGNETSCHALTER 380 V 50 Hz
7	620391 01	CURRENT RELAY	RELE' AMPEROMETRICO	RELAY AMPEROMETRIQUE	AMPEROMETISCHER RELAIS
8	620387 03	TIME DELAY	RITARDATORE	TEMPORISATEUR DE SECURITE	SICHERUNGSZEITUHR
9	620241 01	LO PRESSURE CONTROL	PRESSOSTATO DI MINIMA	PRESSOSTAT B.P.	NIEDERDRUCKPRESSOSTAT
10	620231 00	HI PRESSURE CONTROL	PRESSOSTATO DI MASSIMA	PRESSOSTAT H.P.	HOCHDRUCKPRESSOSTAT
11	620322 01	FAN PRESSURE CONTROL AIR COOLED ONLY	PRESSOSTATO VENTILATORE SOLO RAFFR. AD ARIA	PRESSOSTAT VENTILATEUR SEUL. POUR REFROIDISS. A AIR	LUFTERPRESSOSTAT NUR FÜR LUFTGEKÜHLTE MODELLE