



**Thermische Geräte Serie 900**  
**Elektro-Kochkessel**  
Artikel-Nr. 146006 (90PF/EI100)

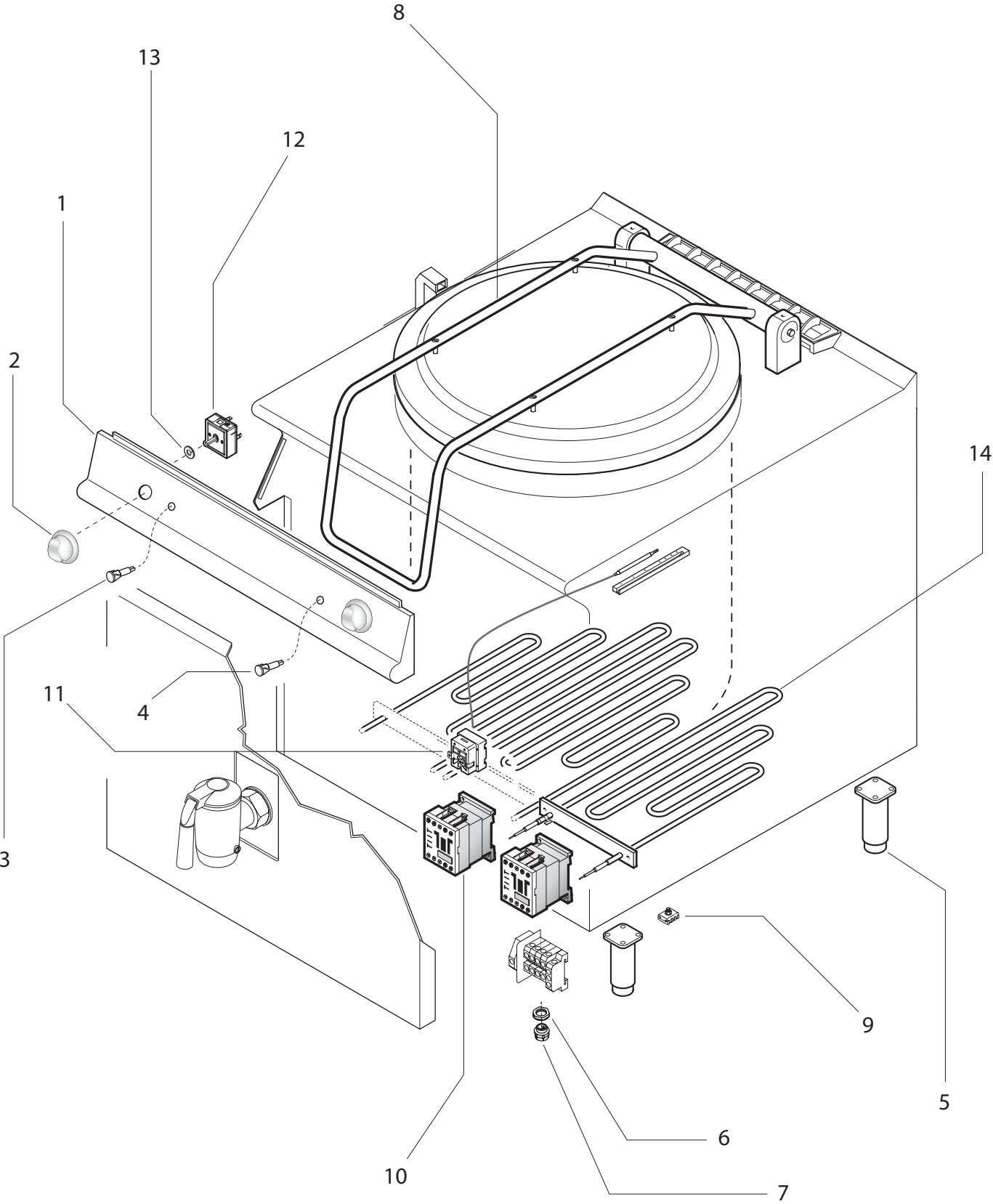
---

**Explosionszeichnung / Ersatzteile**

---

Bitte bei Ersatzteilbestellung immer Artikelnummer und Seriennummer mit angeben!

# 90PF/EI100



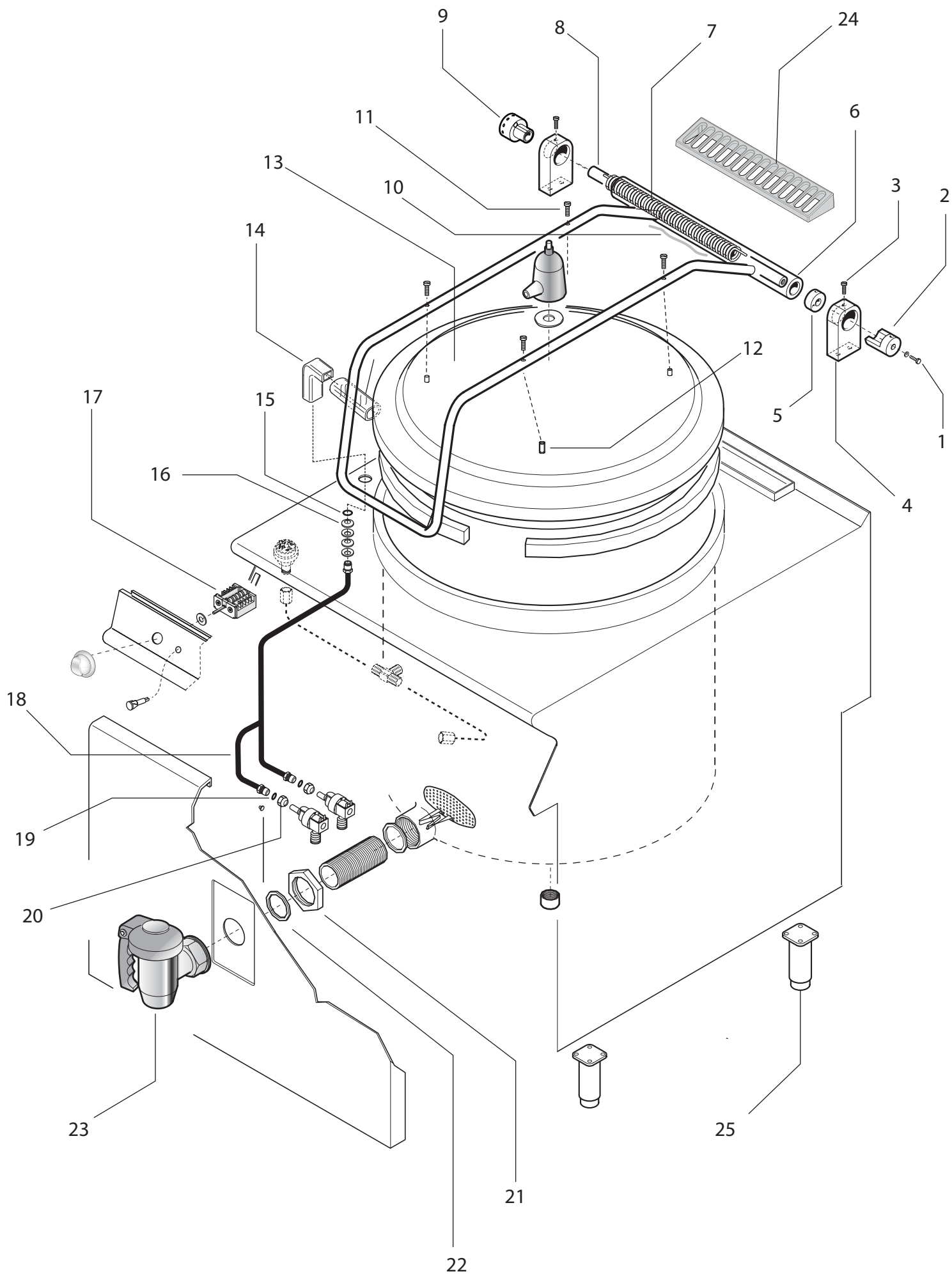
**Series 900**  
Electric Boiling Pan 90PF/EI100

**Table\_A**

POS.	CODE	PIECES	DESCRIPTION	DATA	C
1	CR0936170	1	CONTROL PANEL		
2	CR0933800	2	KNOB		C
3	CR0587500	1	ORANGE LIGHT		C
4	CR0682520	1	RED LIGHT		C
5	MA6086113	4	FOOT ASSEMBLY		
6	MA1037114500	1	NUT LOCK		
7	MA1037112400	1	CABLE RETAINER		
8	CR0586500	1	HANDLE		
9	MA1878400	1	TERMINAL BLOCK		
10	MACM187300	2	SIEMENS CONTACTOR		C
11	CR0682740	1	THERMOSTATE		C
12	MACM293900	1	ENERGY REGULATOR		C
13	CR0587650	1	OR		C
14	CR0589130	1	HEATER		C

C >>> Recommended exchange - Repuesto aconsejado

# 90PF/EI100



**Series 900**  
Electric Boiling Pan 90PF/EI100

**Table\_A**

POS.	CODE	PIECES	DESCRIPTION	DATA	C
1	MA1033509200	2	SCREW		
2	CR0586320	1	BUSH FOR HINGE SUPPORT		
3	CR0589090	2	SCREW FOR SPRING		
4	CR0586370	1	HINGE SUPPORT		
5	CR0586310	1	BUSH FOR HINGE		
6	CR0586500	1	HANDLE ASSEMBLY		
7	CR0586350	1	SPRING		
8	CR0586360	1	HINGE CONNECTION		
9	CR0586330	1	BUSH FOR HINGE		
10	CR0500010	1	FAT		
11	CR0587940	4	SCREW FOR HANDLE		
12	CR0586460	4	WASHER FOR HANDLE		
13	CR0586560	1	PAN TOP		
14	CR0587440	1	VALVE		C
15	CR0682650	1	GARNISH		
16	CR0682570	1	SPRING		
17	CR0581810	1	SWITCH		C
18	CR0587460	1	VALVE DUCT		
19	MA2867700	1	WASHER		
20	CR0682340	1	NUT FOR NIPPLE		
21	MA14044899	1	COUNTER NUT		
22	MA1420925	1	BUSH		
23	CR0682780	1	DRAIN VALVE		
24	CR0682320	2	ELECTRIC VALVE		C
25	MA6086113	4	FOOT ASSEMBLY		

C >>> Recommended exchange - Repuesto aconsejado