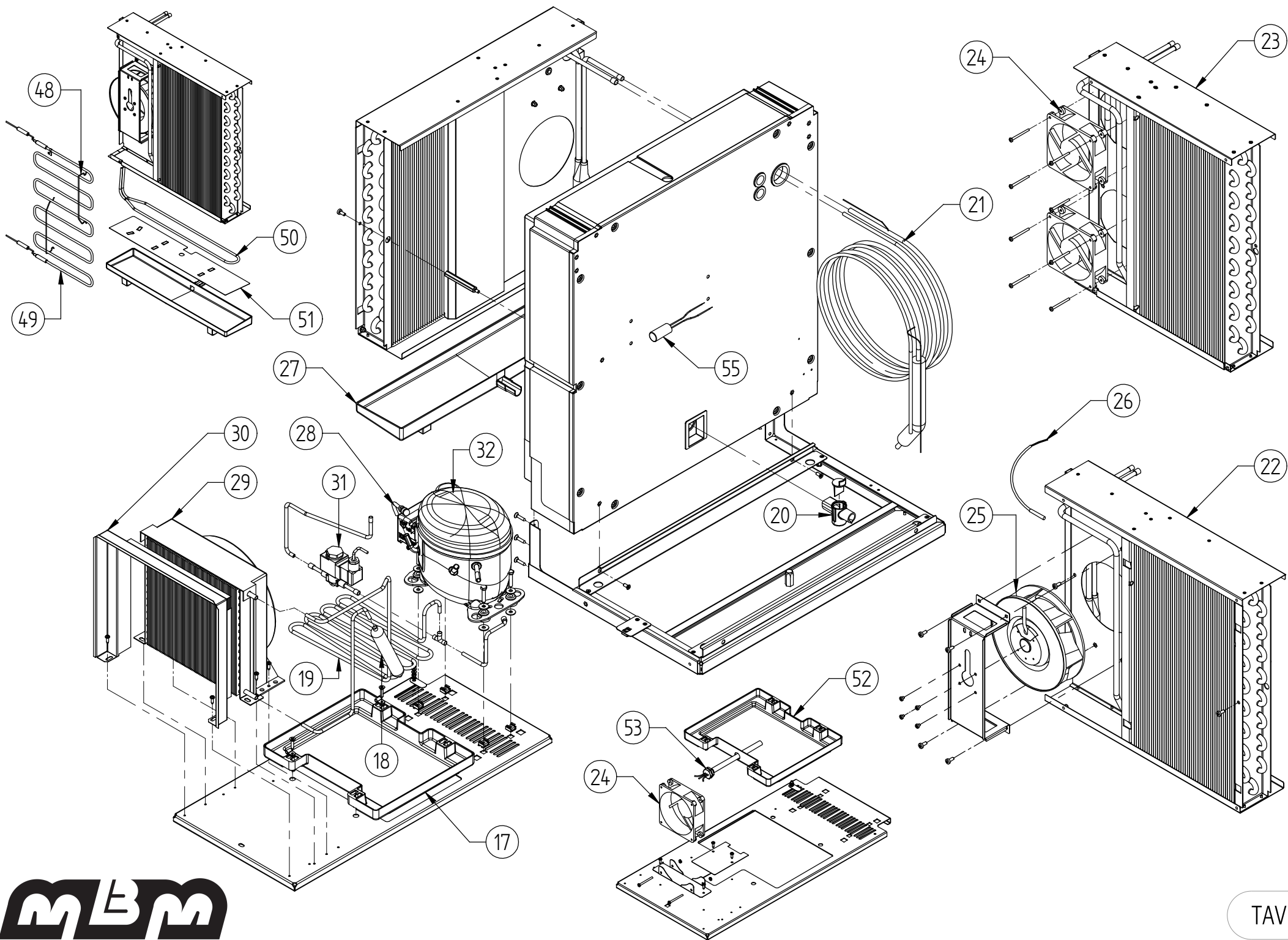


MODELLO MODEL MODELL MODELE	POS.	CODICE CODE KODE CODE	DESCRIZIONE	DESCRIPTION	BESCHREIBUNG	DESCRIPTION
M72BTJ	1	026352-00R	RESISTENZA 20W 230V CORNICI 2 PORTE	DOOR FRAME HEATER	TUERRAHMENHEIZUNG	RESISTANCE PORTE
M73BTJ, MP3BTJ		026353-00R	RESISTENZA 28W 230V CORNICI 3 PORTE	DOOR FRAME HEATER	TUERRAHMENHEIZUNG	RESISTANCE PORTE
M74BTJ, MP4BTJ, M83BTJ		026354-00R	RESISTENZA 38W 230V CORNICI 4 PORTE	DOOR FRAME HEATER	TUERRAHMENHEIZUNG	RESISTANCE PORTE
MP2BTJ		025465-00R	RESISTENZA 20W 230V CORNICI 700 LT	DOOR FRAME HEATER	TUERRAHMENHEIZUNG	RESISTANCE PORTE
M82BTJ		025744-00R	RES. 26W 230V CORNICI 700 LT 1/2 PORTE	1/2-DOOR FRAME HEATER	TUERRAHMENHEIZUNG	RESISTANCE PORTE
M6.TNJ, M7...J, MP...J, M8...J	2	026224-00R	CERNIERA SUP. PORTA TAVOLO	TOP DOOR HINGE	TUERSCHARNIER OBEN	ENS. CHARNIERE SUP. PORTE
M6.TNJ, M7...J, MP...J, M8...J	3	026392-00R	CERNIERA INF. SX PORTA TAVOLO	LOWER LEFT DOOR HINGE	UNTERES LINKES TUERSCHARNIER	CHARNIÈRE PORTE INFÉRIEURE GAUCHE
M6.TNJ, M7...J, MP...J, M8...J	4	026391-00R	CERNIERA INF. DX PORTA TAVOLO	LOWER RIGHT DOOR HINGE	UNTERES RECHTES TUERSCHARNIER	CHARNIÈRE PORTE INFÉRIEURE DROITE
M6.TNJ, M7...J, MP...J, M8...J	5	026872-00R	ASS. PIEDE INOX M10 ESC. 145-200	S.STEEL LEG	STELLFUESS	PIED
M6.TNJ	6	026560-00R	ASS. UNITA' CONDENSATRICE ML60TB SNACK	CONDENSING UNIT	KONDENSATIONEINHEIT	UNITE DE CONDENSATION
M7.TNJ, MP.TNJ, M8.TNJ		026134-00R	ASS. UNITA' CONDENSATRICE ML60TB	CONDENSING UNIT	KONDENSATIONEINHEIT	UNITE DE CONDENSATION
M72BTJ, MP2BTJ		026796-00R	ASS. UNITA' CONDENSATRICE ML80FB BT 2V	CONDENSING UNIT	KONDENSATIONEINHEIT	UNITE DE CONDENSATION
M73BTJ, MP3BTJ, M82BTJ		026489-00R	ASS. UNITA' CONDENSATRICE MP14FB	CONDENSING UNIT	KONDENSATIONEINHEIT	UNITE DE CONDENSATION
M74BTJ, MP4BTJ, M83BTJ		026491-00R	ASS. UNITA' CONDENSATRICE MX18FB BT	CONDENSING UNIT	KONDENSATIONEINHEIT	UNITE DE CONDENSATION
M6.TNJ, M7...J, MP...J, M8...J	7	026232-00R	SCHIENALE VANO TECNICO TAVOLO FRIGO	CONDENSING-UNIT BACK-SIDE PANEL	KONDENSATIONEINHEIT RUECKWANDENTAFEL	PANNEAU ARRIERE UNITE DE CONDENSATION
M6.TNJ, M7...J, MP...J, M8...J	8	026229-00R	CRUSCOTTO TAVOLO FRIGO	INSTRUMENT S.TEEL PANEL	INSTRUMENTENTAFEL STAHL	PANNEAU INSTRUMENTS EN ACIER INOXYDABLE

MODELLO MODEL MODELL MODELE	POS.	CODICE CODE KODE CODE	DESCRIZIONE	DESCRIPTION	BESCHREIBUNG	DESCRIPTION
M6.TNJ, M7...J, MP...J, M8...J	9	025119-00R	MEMBRANA OVALE VERTICALI MBM	DIGITAL CONTROLER OVAL FRAME STICKER	FESTKLEBEND SCHILD	ETIQUETTE OVALE
M6.TNJ, M7...J, MP...J, M8...J	10	025057-00R	TERMOSTATO DIGITALE AT2-5BS4E-AG	DIGITAL THERMOSTAT	DIGITAL THERMOSTAT	THERMOSTAT DIGITAL
M6.TNJ	11	026654-00R	FIANCO VANO TECNICO TAVOLO P.600	CONDENSING-UNIT SIDE PANEL	KONDENSATIONEINHEIT WANDENTAFEL	PANNEAU LATERAL UNITE DE CONDENSATION
M7...J		026854-00R	FIANCO VANO TECNICO TAVOLO P.700	CONDENSING-UNIT SIDE PANEL	KONDENSATIONEINHEIT WANDENTAFEL	PANNEAU LATERAL UNITE DE CONDENSATION
MP...J, M8...J		026766-00R	FIANCO VANO TECNICO TAVOLO P.750	CONDENSING-UNIT SIDE PANEL	KONDENSATIONEINHEIT WANDENTAFEL	PANNEAU LATERAL UNITE DE CONDENSATION
M6.TNJ, M7...J, MP...J, M8...J	12	025460-00R	SONDA SN4K20P1 PER AT2	THERMOSTAT PROBE	TEMPERATURFUEHLER	SONDE DU THERMOSTAT
M6.TNJ, M7...J, MP...J, M8...J	13	011548-02R	CAVO ALIMENTAZIONE G32 HO5VV-F 3G1.5 CM300	POWER SUPPLY CORD	SPEISUNGSKABEL	CORDON D'ALIMENTATION
..TNJ	14	025019-00R	ETICHETTA RESINATA 30X10 RANGE - 2/+8°C	TEMPERATURE RANGE STICKER	FESTKLEBEND TEMPERATURSCHILD	ETIQUETTE TEMPERATURES
..BTJ		025020-00R	ETICHETTA RESINATA 30X10 RANGE -20/ 10°C	TEMPERATURE RANGE STICKER	FESTKLEBEND TEMPERATURSCHILD	ETIQUETTE TEMPERATURES
M6.TNJ, M7...J, MP...J, M8...J	15	025707-00R	LIBRETTO ISTR. MULTIL. 200902-JHAR- AT2	INSTRUCTION MANUAL JHAR-AT2	BEDIENUNGSANLEITUNG JHAR-AT3	MANUEL D'INSTRUCTIONS JHAR-AT4
M62TNJ	16	026805-00R	IMBALLO LEGNO + PALLET H95 1365X625X945	WOOD PACKAGE SET + PALLET	HOLZVERPACKUNG + TRANSPORTPALETTE	EMBALLAGE EN BOIS + PALETTE
M63TNJ		026806-00R	IMBALLO LEGNO + PALLET H95 1787X625X945	WOOD PACKAGE SET + PALLET	HOLZVERPACKUNG + TRANSPORTPALETTE	EMBALLAGE EN BOIS + PALETTE
M64TNJ		026807-00R	IMBALLO LEGNO + PALLET H95 2209X625X945	WOOD PACKAGE SET + PALLET	HOLZVERPACKUNG + TRANSPORTPALETTE	EMBALLAGE EN BOIS + PALETTE
M72..J		026265-00R	IMBALLO LEGNO + PALLET H95 1365X725X945	WOOD PACKAGE SET + PALLET	HOLZVERPACKUNG + TRANSPORTPALETTE	EMBALLAGE EN BOIS + PALETTE
M73..J		026266-00R	IMBALLO LEGNO + PALLET H95 1787X725X945	WOOD PACKAGE SET + PALLET	HOLZVERPACKUNG + TRANSPORTPALETTE	EMBALLAGE EN BOIS + PALETTE
M74..J		026267-00R	IMBALLO LEGNO + PALLET H95 2209X725X945	WOOD PACKAGE SET + PALLET	HOLZVERPACKUNG + TRANSPORTPALETTE	EMBALLAGE EN BOIS + PALETTE
MP2..J		026886-00R	IMBALLO LEGNO + PALLET H95 1517X825X945	WOOD PACKAGE SET + PALLET	HOLZVERPACKUNG + TRANSPORTPALETTE	EMBALLAGE EN BOIS + PALETTE
MP3..J		026887-00R	IMBALLO LEGNO + PALLET H95 2015X825X945	WOOD PACKAGE SET + PALLET	HOLZVERPACKUNG + TRANSPORTPALETTE	EMBALLAGE EN BOIS + PALETTE

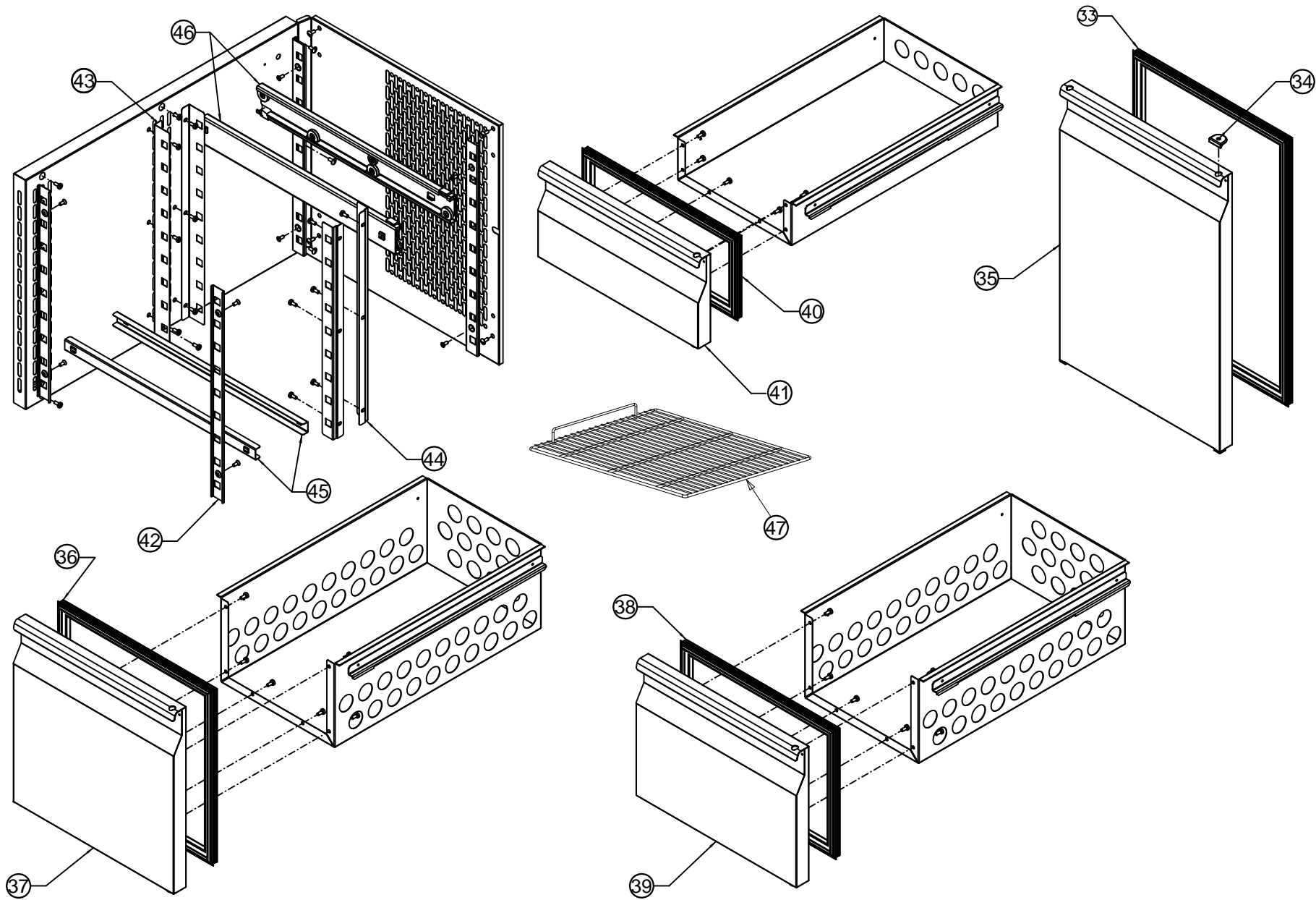
MODELLO MODEL MODELL MODELE	POS.	CODICE CODE KODE CODE	DESCRIZIONE	DESCRIPTION	BESCHREIBUNG	DESCRIPTION
MP4..J	16	026888-00R	IMBALLO LEGNO + PALLET H95 2513X825X945	WOOD PACKAGE SET + PALLET	HOLZVERPACKUNG + TRANSPORTPALETTE	EMBALLAGE EN BOIS + PALETTE
M82..J		026887-00R	IMBALLO LEGNO + PALLET H95 2015X825X945	WOOD PACKAGE SET + PALLET	HOLZVERPACKUNG + TRANSPORTPALETTE	EMBALLAGE EN BOIS + PALETTE
M83..J		026911-00R	IMBALLO LEGNO + PALLET H95 2762X825X945	WOOD PACKAGE SET + PALLET	HOLZVERPACKUNG + TRANSPORTPALETTE	EMBALLAGE EN BOIS + PALETTE



MODELLO MODEL MODELL MODELE	POS.	CODICE CODE KODE CODE	DESCRIZIONE	DESCRIPTION	BESCHREIBUNG	DESCRIPTION
M6.TNJ, M7...J, MP...J, M8...J	17	026137-00R	BACINELLA EVAPORA CONDENSA	EXTERNAL WATER COLLECTING TRAY	EXTERNE KONDENSATSAMMELWANNE	BAC EXTERNE DE COLLECTE DE L'EAU
M6.TNJ, M7...J, MP...J, M8...J	18	026188-00R	FILTRO DEIDRATORE IN RAME INGR. DIAM.6	FILTER DRIER	TROCKNER	FILTRE SECHANT
M6.TNJ	19	026562-00R	SERPENTINA EVAPORA CONDENSA 60 GN	WATER EVAPORATING COIL	KONDENSATVERDAMPFUNGSSCHLANG E	SERPENTIN ÉVAPORATION DE L'EAU
M7...J, MP...J, M8...J		026138-00R	SERPENTINA EVAPORA CONDENSA 70 GN	WATER EVAPORATING COIL	KONDENSATVERDAMPFUNGSSCHLANG E	SERPENTIN ÉVAPORATION DE L'EAU
M6.TNJ, M7...J, MP...J, M8...J	20	026131-00R	ASS. SIFONE SCARICO	WATER DRAIN SIPHON
M6.TNJ, M7.TNJ, M73BTJ, MP.TNJ, MP3BTJ, M8.TNJ, M82BTJ	21	026141-00R	SCAMBIATORE GRUPPO TN	REFRIGERANT CONTROL CAPILLARY TUBE	REGELGERÄT KÜHLMITTEL KAPILLARROHR	TUYAU CAPILLAIRE DE COMMANDE DU RÉFRIGÉRANT
M72BTJ, MP2BTJ		026969-00R	SCAMBIATORE GRUPPO BT TAVOLO 2 VANI	REFRIGERANT CONTROL CAPILLARY TUBE	REGELGERÄT KÜHLMITTEL KAPILLARROHR	TUYAU CAPILLAIRE DE COMMANDE DU RÉFRIGÉRANT
M74BTJ, MP4BTJ, M83BTJ		026808-00R	SCAMBIATORE GRUPPO BT TAVOLO 4 VANI	REFRIGERANT CONTROL CAPILLARY TUBE	REGELGERÄT KÜHLMITTEL KAPILLARROHR	TUYAU CAPILLAIRE DE COMMANDE DU RÉFRIGÉRANT
M7...J..X, MP...J..X, M8...J..X	22	027065-00R	ASS. EVAPORATORE TN P.700 SX	EVAPORATOR (LEFT-SIDE MODEL)	VERDAMPFER (LINKS MODELL)	ÉVAPORATEUR (MODELE GAUCHE)
M7...J, MP...J, M8...J		027059-00R	ASS. EVAPORATORE TN/BT P.700 DX	EVAPORATOR	VERDAMPFER	ÉVAPORATEUR
M6.TNJ	23	027064-00R	ASS. EVAPORATORE TN P.600	EVAPORATOR	VERDAMPFER	ÉVAPORATEUR
M6.TNJ, M6.TNJ..P, M7...J..P, MP...J..P, M8...J..P	24	013480-01R	VENTILATORE FULLTECH UF12A23-STH 230V	FAN	VENTILATOR	VENTILATEUR
M7.TNJ, MP.TNJ, M8.TNJ	25	026129-00R	VENTIL.RADIALE 230V 4RRE15 192X40R- B47	EVAPORATOR FAN	VERDAMPFERVENTILATOR	VENTILATEUR EVAPORATEUR
M7.BTJ, MP.BTJ, M8.BTJ		026287-00R	VENTIL.RADIALE 230V 2RRE15 192X40R- B47	EVAPORATOR FAN	VERDAMPFERVENTILATOR	VENTILATEUR EVAPORATEUR

MODELLO MODEL MODELL MODELE	POS.	CODICE CODE KODE CODE	DESCRIZIONE	DESCRIPTION	BESCHREIBUNG	DESCRIPTION
M6.TNJ, M7...J, MP...J, M8...J	26	025461-00R	SONDA SN4K20P2 PER AT2	THERMOSTAT PROBE	TEMPERATURFUEHLER	SONDE DU THERMOSTAT
M6.TNJ	27	026413-00R	BACINELLA EVAPORATORE P.600	EVAPORATOR WATER COLLECTING TRAY	VERDAMPFER-KONDSATSAMMELWANNE	BAC DE COLLECTE DE L'EAU EVAPORATEUR
M7...J, MP...J, M8...J		026130-00R	BACINELLA EVAPORATORE P.700	EVAPORATOR WATER COLLECTING TRAY	VERDAMPFER-KONDSATSAMMELWANNE	BAC DE COLLECTE DE L'EAU EVAPORATEUR
M6.TNJ, M7...J, MP...J, M8...J	28	012722-00R	VALVOLINA DI RICARICA FIL. 1/4"FILX1/4" A SALDARE	RECHARGE VALVE	SCHRADERVENTIL	SOUPAPE RECHARG.
M6.TNJ, M7.TNJ, MP.TNJ, M8.TNJ	29	026136-00R	CONDENSATORE STVF 93	CONDENSER	VERFLÜSSIGER	CONDENSATEUR
M7.BTJ, MP.BTJ, M8.BTJ		026261-00R	CONDENSATORE BT STVF 139 16W 34°	CONDENSER	VERFLÜSSIGER	CONDENSATEUR
M6.TNJ, M7...J, MP...J, M8...J	30	026435-00R	CONVOGLIATORE LU-VE	AIR-CONVEYOR	LUFTVERTEILER	CONVOYEUR D'AIR
M6.TNJ, M7...J, MP...J, M8...J	31	026140-00R	VALVOLA SOLENOIDE 1/4" 1028/2S.E	SOLENOID VALVE	HEISSGASVENTIL	SOUPAPE SOLENOIDE
M6.TNJ, M7...J, MP...J, M8...J		026233-00R	BOBINA 230V 50HZ 9100/RA6	SOLENOID FOR VALVE	.. FUER VENTIL	SOLENOIDE DE SOUPAPE
M6.TNJ, M7.TNJ, MP.TNJ, M8.TNJ	32	025771-00R	COMPRESSORE ML60TB 220/240V 50HZ	COMPRESSOR	KOMPRESSOR	COMPRESSEUR
M72BTJ, MP2BTJ		022262-00R	COMPRESSORE ML 80 FB 230V 50HZ COMPLETO	COMPRESSOR	KOMPRESSOR	COMPRESSEUR
M73BTJ, MP3BTJ, M82BTJ		022263-00R	COMPRESSORE MP 14 FB 230V 50HZ COMPLETO	COMPRESSOR	KOMPRESSOR	COMPRESSEUR
M74BTJ, MP4BTJ, M83BTJ		024350-00R	COMPRESSORE MX 18 FB 230V 50HZ	COMPRESSOR	KOMPRESSOR	COMPRESSEUR

MODELLO MODEL MODELL MODELE	POS.	CODICE CODE KODE CODE	DESCRIZIONE	DESCRIPTION	BESCHREIBUNG	DESCRIPTION
M6.TNJ..P, M7...J..P, MP...J..P, M8...J..P	48	026845-00R	MOLLA FISSAGGIO RESISTENZA TAVOLO PRED.	CLAMP FOR DEFROST HEATER	FEDER FUER ABTAUHEIZUNG	RESSORT POUR RESISTANCE
M6.TNJ..P, M7...J..P, MP...J..P, M8...J..P	49	026801-00R	RESISTENZA SBRINAMENTO 600W 230V	EVAPORATOR DEFROST HEATER	VERDAMPFER-ABTAUHEIZUNG	RESISTANCE DEGIVRAGE EVAPORATEUR
M7.BTJ, MP.BTJ, M8.BTJ	50	019414-00R	RESISTENZA 90W 230V EVAP. COND. - FD SKIN	WATER COLLECTING TRAY HEATER	TAUWASSERVERDUNSTUNGSHIZER	RESIST.EVAPOR.EAU
M7.BTJ, MP.BTJ, M8.BTJ	51	026536-00R	LAMIERA FISSAGGIO RESISTENZA TAVOLO BT	HEATING ELEMENT FIXING PLATE	HEIZUNG BEFESTIGUNGSPLATTE	PLAQUE DE FIXATION POUR RESISTANCE
M6.TNJ..P, M7...J..P, MP...J..P, M8...J..P	52	026137-00R	BACINELLA EVAPORA CONDENSA	EXTERNAL WATER COLLECTING TRAY	EXTERNE KONDENSATSAMMELWANNE	BAC EXTERNE DE COLLECTE DE L'EAU
M6.TNJ..P, M7...J..P, P...J..P, M8...J..P	53	026951-00R	CARTUCCIA EVAPORANTE 190W 230V L=180MM	EXTERNAL WATER-EVAPORATING TRAY HEATER	AUSSEN TAUWASSERVERDUNSTUNGSHIZER	RESISTANCE EVAPORAT.EAU DEG. (BAC EXTERNE)
M7.TNJ, MP.TNJ, M8.TNJ	55	026286-00R	CONDENSATORE 1,5MF/400 PER 4RRE15	CAPACITOR	KONDENSATOR	CONDENSATEUR
M7.BTJ, MP.BTJ, M8.BTJ		026288-00R	CONDENSATORE 2MF/400 PER 2RRE15	CAPACITOR	KONDENSATOR	CONDENSATEUR



MODELLO MODEL MODELL MODELE	POS.	CODICE CODE KODE CODE	DESCRIZIONE	DESCRIPTION	BESCHREIBUNG	DESCRIPTION
M6.TNJ, M7...J	33	026223-00R	GUARNIZ. MAGNETICA GRIGIA 1328 PORTA GN	DOOR SEAL	MAGNETDICHTUNG FUER TUER	JOINT PORTE
MP...J		026734-00R	GUARNIZ. MAGNETICA GRIGIA 1404 PORTA 75	DOOR SEAL	TÜRDICHTUNG	JOINT D'ÉTANCHÉITÉ DE LA PORTE
M8...J		026905-00R	GUARNIZ. MAGNETICA GRIGIA 1404 PORTA 2/	DOOR SEAL	TÜRDICHTUNG	JOINT D'ÉTANCHÉITÉ DE LA PORTE
M6.TNJ, M7...J, MP...J, M8...J	34	026220-00R	BOCCOLA SUP. FULCRO PORTA	TOP DOOR HINGE INSERT
M6.TNJ, M7...J	35	026625-00R	ASS. PORTA DX-SX COMPLETA TAVOLO GN	COMPLETE LEFT/RIGHT DOOR	KOMPLETTE LINKE/RECHTE TÜR	PORTE DROITE/GAUCHE
MP...J		026729-00R	ASS. PORTA DX-SX COMPLETA TAVOLO PAST.	COMPLETE LEFT/RIGHT DOOR	KOMPLETTE LINKE/RECHTE TÜR	PORTE DROITE/GAUCHE
M8...J		026900-00R	ASS. PORTA DX-SX COMPLETA TAVOLO GN 2/1	COMPLETE LEFT/RIGHT DOOR	KOMPLETTE LINKE/RECHTE TÜR	PORTE DROITE/GAUCHE
M6.TNJDB, M7.TNJDB	36	026337-00R	GUARNIZ. MAGNETICA GRIGIA 1328 CASS.2/3	BOTTLE-DRAWER SEAL, CB	MAGNETDICHTUNG 2/3 (FLASCHEN) SCHUBLADEN	JOINT TIROIR BOUT.
M6.TNJDB, M7.TNJDB	37	026333-00R	ASS. FRONTALE SCHIUM. CASS. 2/3 TAV. GN	DRAWER INSULATED FRONT-PANEL	SCHUBLADE ISOL.VORDEREPANEL	PANNEAU EXPANSE' AVANT - TOROIRE
M6.TNJD2, M7.TNJD2	38	026321-00R	GUARNIZ. MAGNETICA GRIGIA 1328 CASS.1/2	DRAWER SEAL, C2	MAGNETDICHTUNG 1/2 SCHUBLADEN	JOINT TIROIR C2
M6.TNJD2, M7.TNJD2	39	026314-00R	ASS. FRONTALE SCHIUM. CASS. 1/2 TAV. GN	DRAWER INSULATED FRONT-PANEL	SCHUBLADE ISOL.VORDEREPANEL	PANNEAU EXPANSE' AVANT - TOROIRE
M6.TNJD3, M7.TNJD3	40	026331-00R	GUARNIZ. MAGNETICA GRIGIA 1328 CASS.1/3	DRAWER SEAL, C3	MAGNETDICHTUNG 1/3 SCHUBLADEN	JOINT TIROIR C3
M6.TNJD3, M7.TNJD3	41	026324-00R	ASS. FRONTALE SCHIUM. CASS. 1/3 TAV. GN	DRAWER INSULATED FRONT-PANEL	SCHUBLADE ISOL.VORDEREPANEL	PANNEAU EXPANSE' AVANT - TOROIRE
M6.TNJ, M7...J, MP...J, M8...J	42	026236-00R	CREMAGLIERA LAT. TAVOLO FRIGO	SIDE SLIDE SUPPORT	.. SCHIENENHALTERUNG	SUPPORT GLISSIÈRE LATERAL
M6.TNJ, M7...J, MP...J, M8...J	43	026235-00R	CREMAGLIERA POST. TAVOLO FRIGO	BACK SLIDE SUPPORT	HINTER SCHIENENHALTERUNG	SUPPORT GLISSIÈRE DERRIERE
M6.TNJ, M7...J, MP...J, M8...J	44	026855-00R	CREMAGLIERA ANT. TAVOLO FRIGO	FRONT SLIDE SUPPORT	VORDERE SCHIENENHALTERUNG	SUPPORT GLISSIÈRE AVANT
M6.TNJ	45	GIM6	COPPIA GUIDE DX-SX GN 2/3 TAVOLO FRIGO	COUPLE OF SLIDES (600 DEPTH MODELS)	PAAR GLEITSCHIENEN (600 MODELLEN)	PAIRE DE GLISSIÈRES (MODELES 600 PROF.)
M7...J		GIM7	COPPIA GUIDE DX-SX GN 1/1 TAVOLO FRIGO	COUPLE OF SLIDES	PAAR GLEITSCHIENEN	PAIRE DE GLISSIÈRES
MP...J		GIMP	COPPIA GUIDE GN P.750	COUPLE OF SLIDES (PASTRY MODELS)	PAAR GLEITSCHIENEN (KONDITOREI MODELLEN)	PAIRE DE GLISSIÈRES (MODELES PATISSERIE)
M8...J		GIM8	COPPIA GUIDE GN 2/1	COUPLE OF SLIDES	PAAR GLEITSCHIENEN	PAIRE DE GLISSIÈRES

MODELLO MODEL MODELL MODELE	POS.	CODICE CODE KODE CODE	DESCRIZIONE	DESCRIPTION	BESCHREIBUNG	DESCRIPTION
M6.TNJD.	46	026690-00R	COPPIA GUIDE TELESCOPICHE INOX L=400	PAIR OF TELESCOPIC SLIDES INOX	PAAR KUEHLTISCH-SCHUBLADENZUGE	COUPLE GLISS.TElesc.INOX
M7.TNJD.		026322-00R	COPPIA GUIDE TELESCOPICHE INOX L=500	PAIR OF TELESCOPIC SLIDES INOX	PAAR KUEHLTISCH-SCHUBLADENZUGE	COUPLE GLISS.TElesc.INOX
M6.TNJ	47	-	GRIGLIA 430X325 RILSAN GRIGIO SKIN P600	RILSAN SHELF	RILSAN REGAL	CLAYETTE RILSAN
M7...J		DRG11	RIPIANO GRIGLIATO PLASTIFICATO GN 1/1	PLASTIC-COATED SHELF	PLASTIK REGAL	CLAYETTE PLASTIQUE